

[54] HOUSING FOR AN ELECTRICAL CONNECTOR

[75] Inventors: Yasuhiro Nagasaka; Yasuo Hirayama, both of Toyota; Shigekazu Wakata, Yokkaichi; Shinichi Yamada, Yokkaichi; Toshikazu Nohara, Yokkaichi, all of Japan

[73] Assignee: Sumitomo Wiring Systems, Ltd., Yokkaichi, Japan

[**] Term: 14 Years

[21] Appl. No.: 339,637

[22] Filed: Apr. 18, 1989

[30] Foreign Application Priority Data

Oct. 20, 1988 [JP] Japan 63-41168

[52] U.S. Cl. D13/147

[58] Field of Search D13/133, 146, 147; 439/246-248, 259, 282, 296, 299, 345, 350, 351-353, 357, 358, 374, 529, 533, 575, 586, 587, 592-598, 600, 656, 668, 678, 679, 680, 682, 685, 686, 691, 692, 695, 701, 723, 724, 729

[56] References Cited

U.S. PATENT DOCUMENTS

4,596,436	6/1986	Kraemer et al.	439/107
4,674,814	6/1987	Hoshino et al.	439/586
4,695,112	9/1987	Maston et al.	439/350
4,753,612	6/1988	Betsui	439/596

Primary Examiner—Susan J. Lucas
Assistant Examiner—J. Sincavage
Attorney, Agent, or Firm—Nils H. Ljungman & Associates

[57] CLAIM

The ornamental design for a housing for an electrical connector, as shown and described.

DESCRIPTION

FIG. 1 is a front perspective view of a housing for an electrical connector showing our new design. The broken line showing of the end apertures throughout the drawing figures is included for the purpose of illustrating environmental elements only and forms no part of the claimed design;
FIG. 2 is a front elevational view thereof;
FIG. 3 is a rear elevational view thereof;
FIG. 4 is a top plan view thereof;
FIG. 5 is a bottom plan view thereof;
FIG. 6 is a right side elevational view thereof, the left side elevational view being a mirror image;
FIG. 7 is a cross-sectional view thereof taken along line 7-7 of FIG. 2.

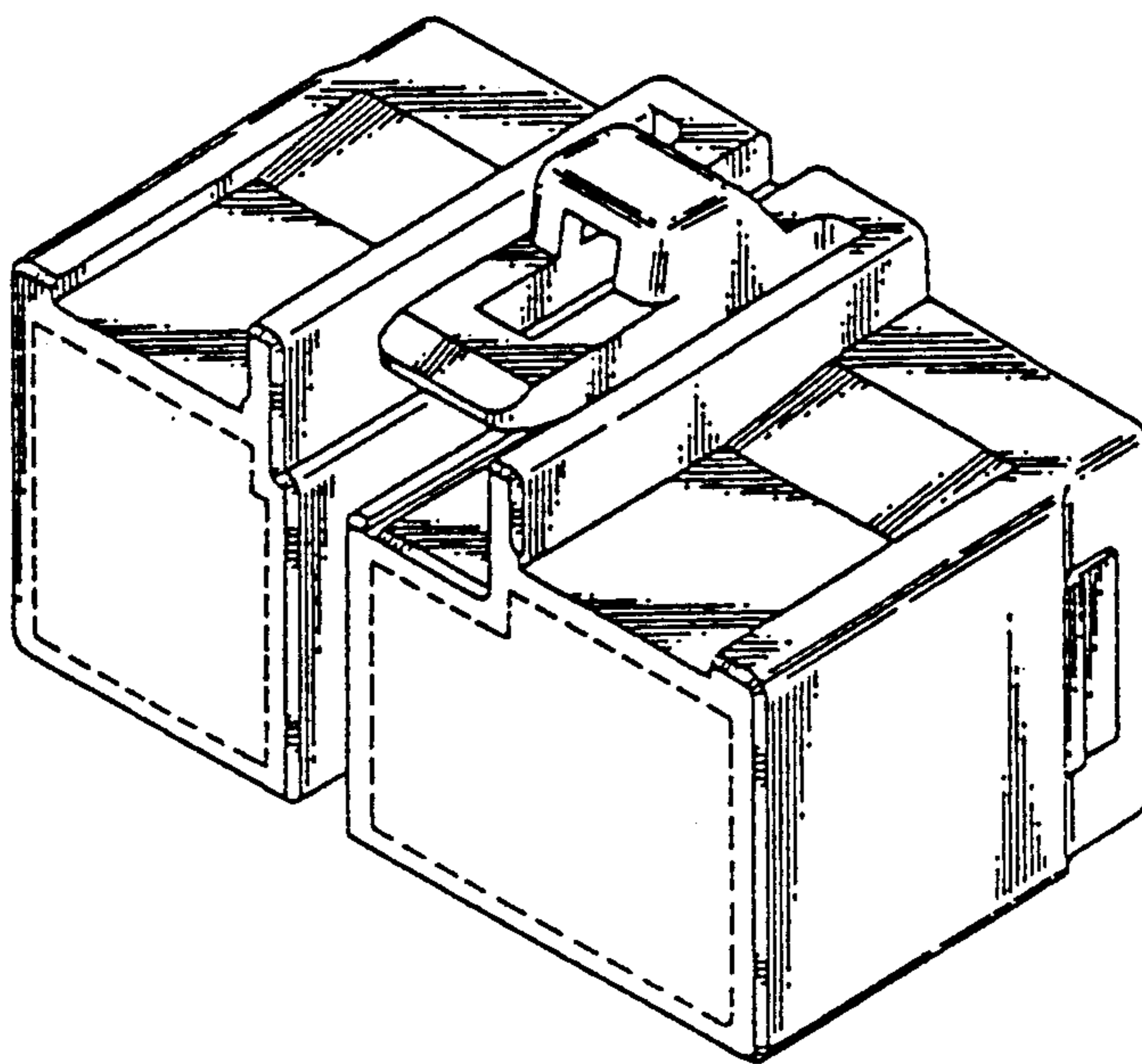


FIG. 1

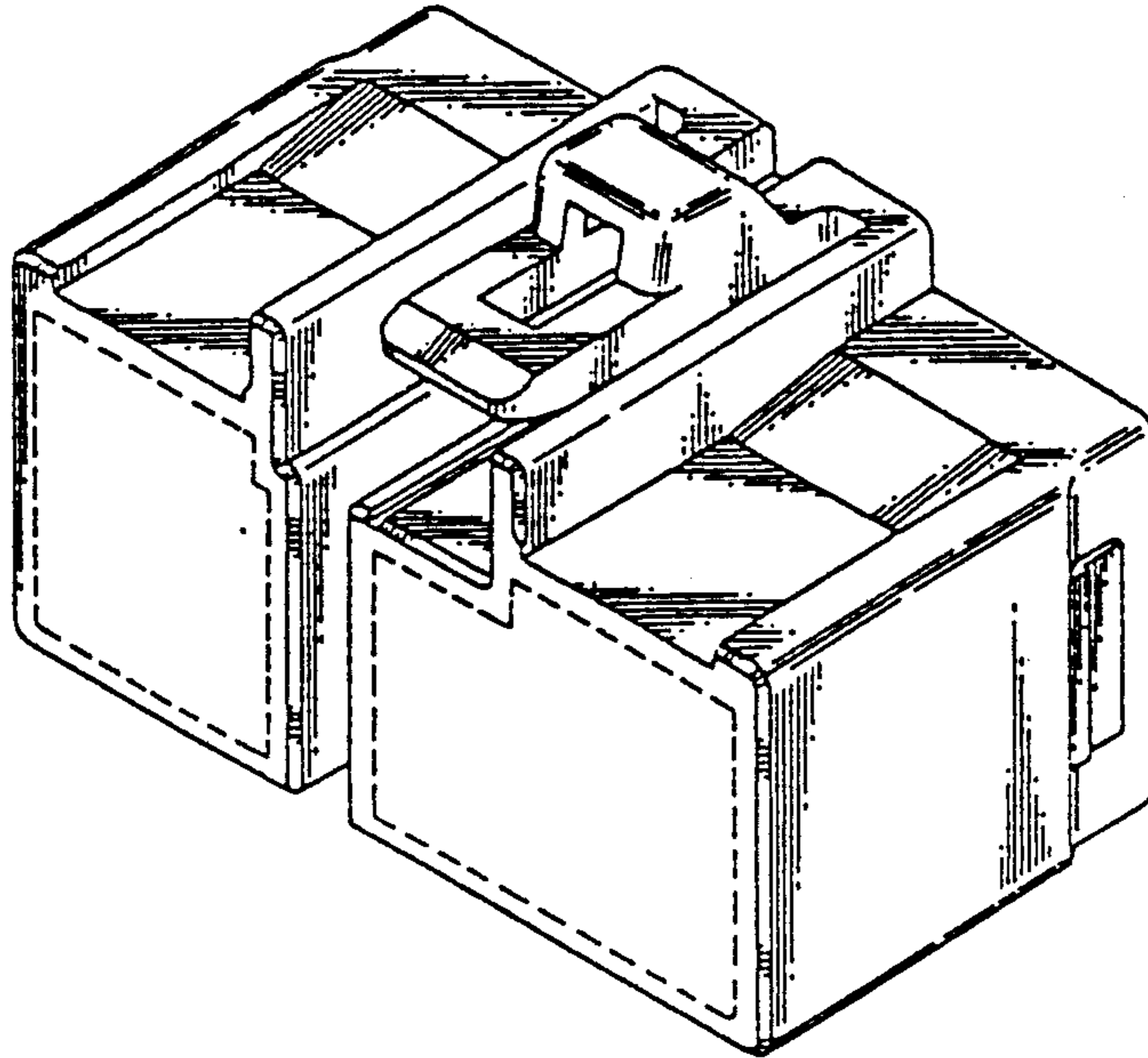


FIG. 2

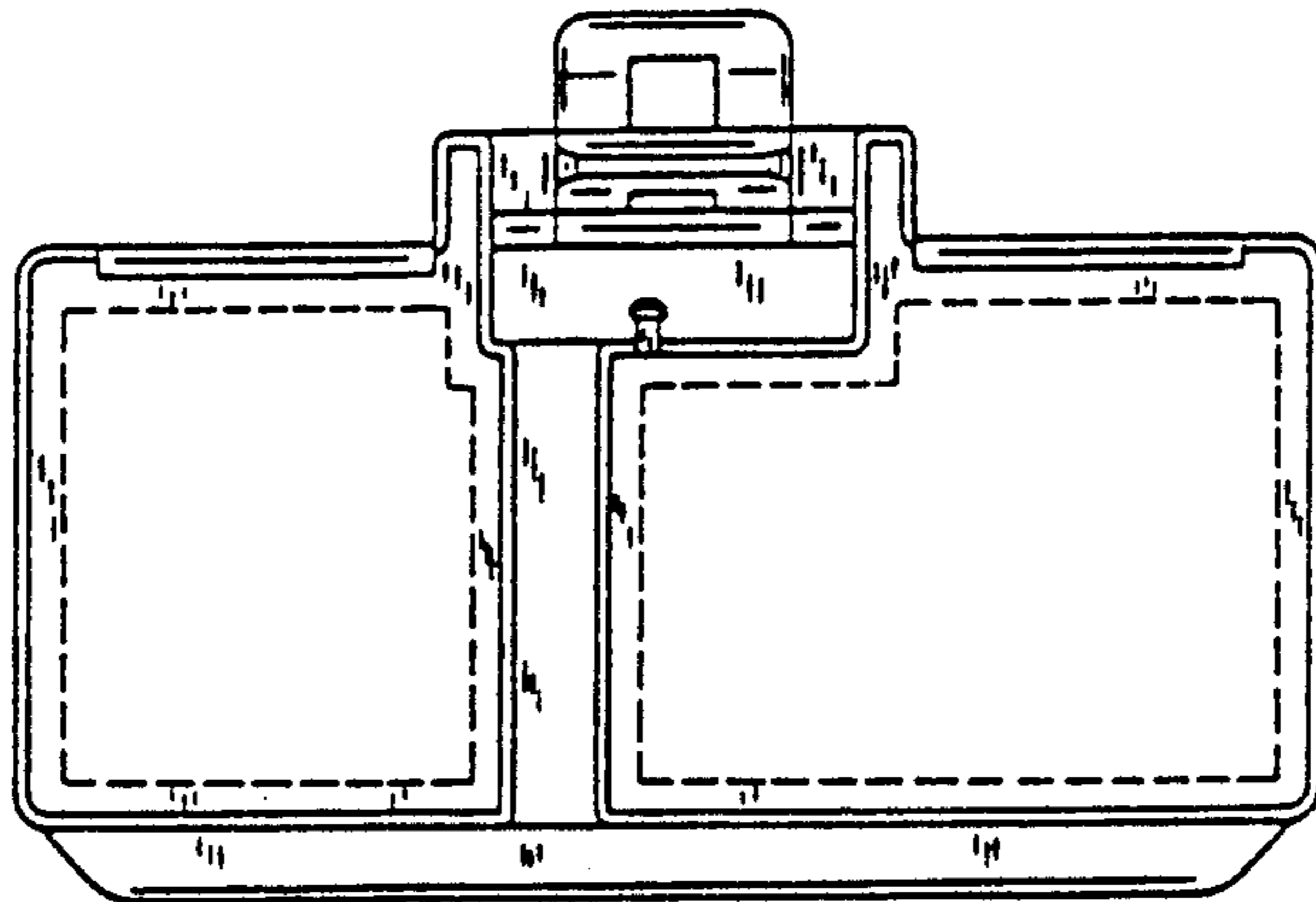
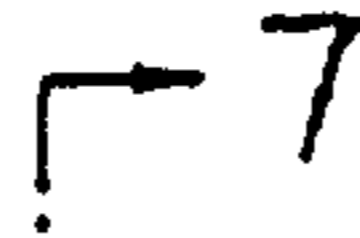


FIG. 3

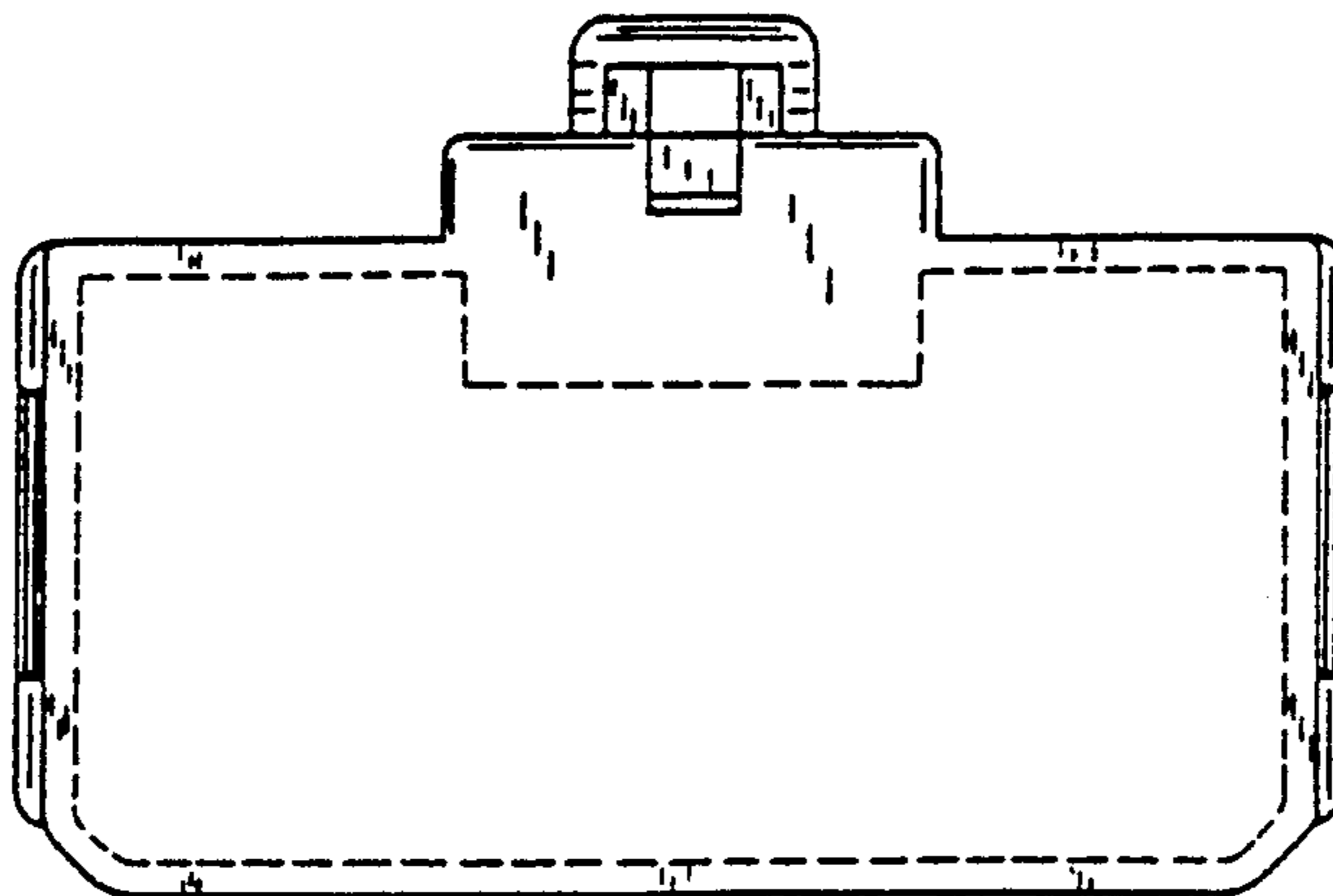


FIG. 4

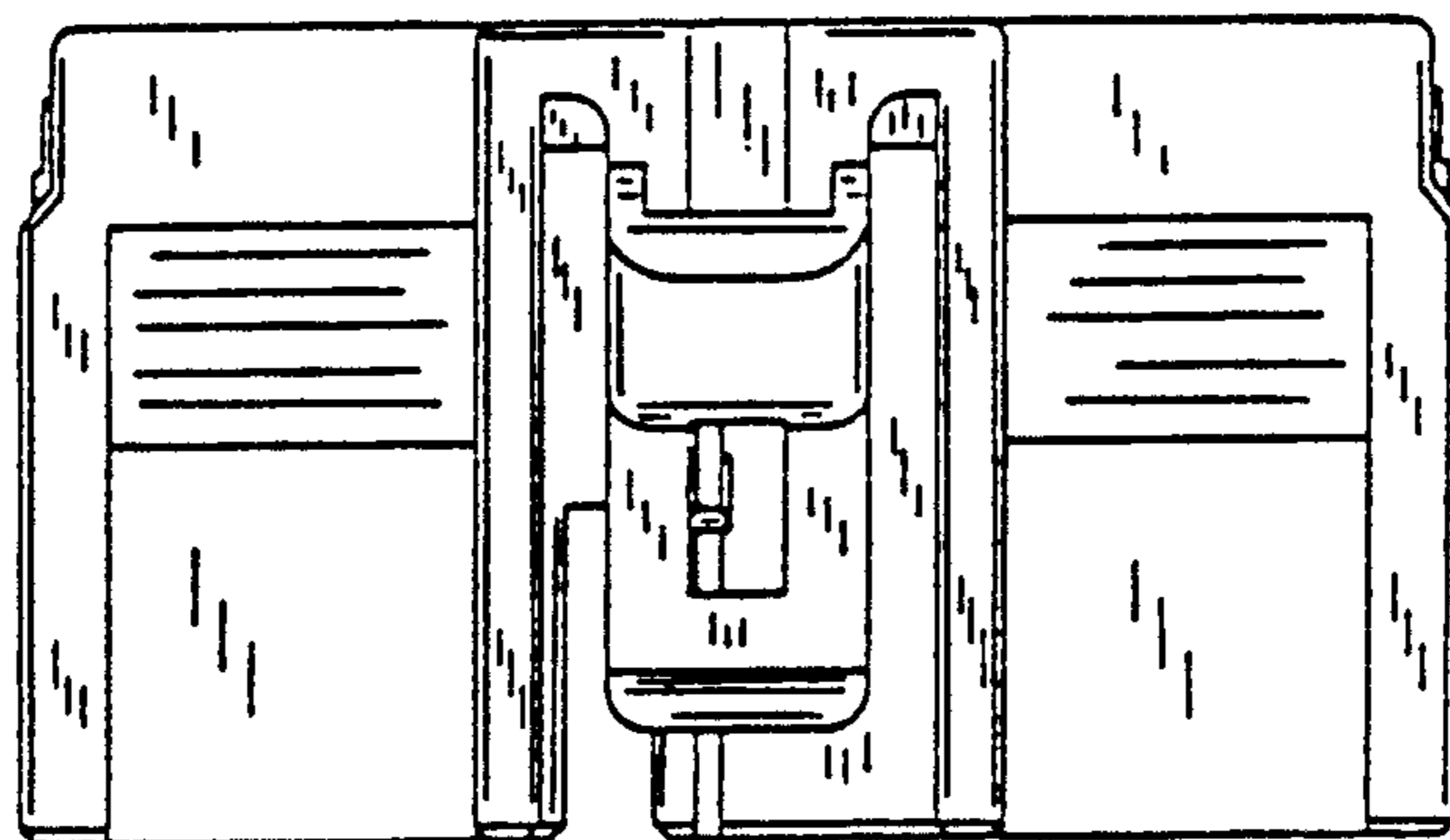


FIG. 5

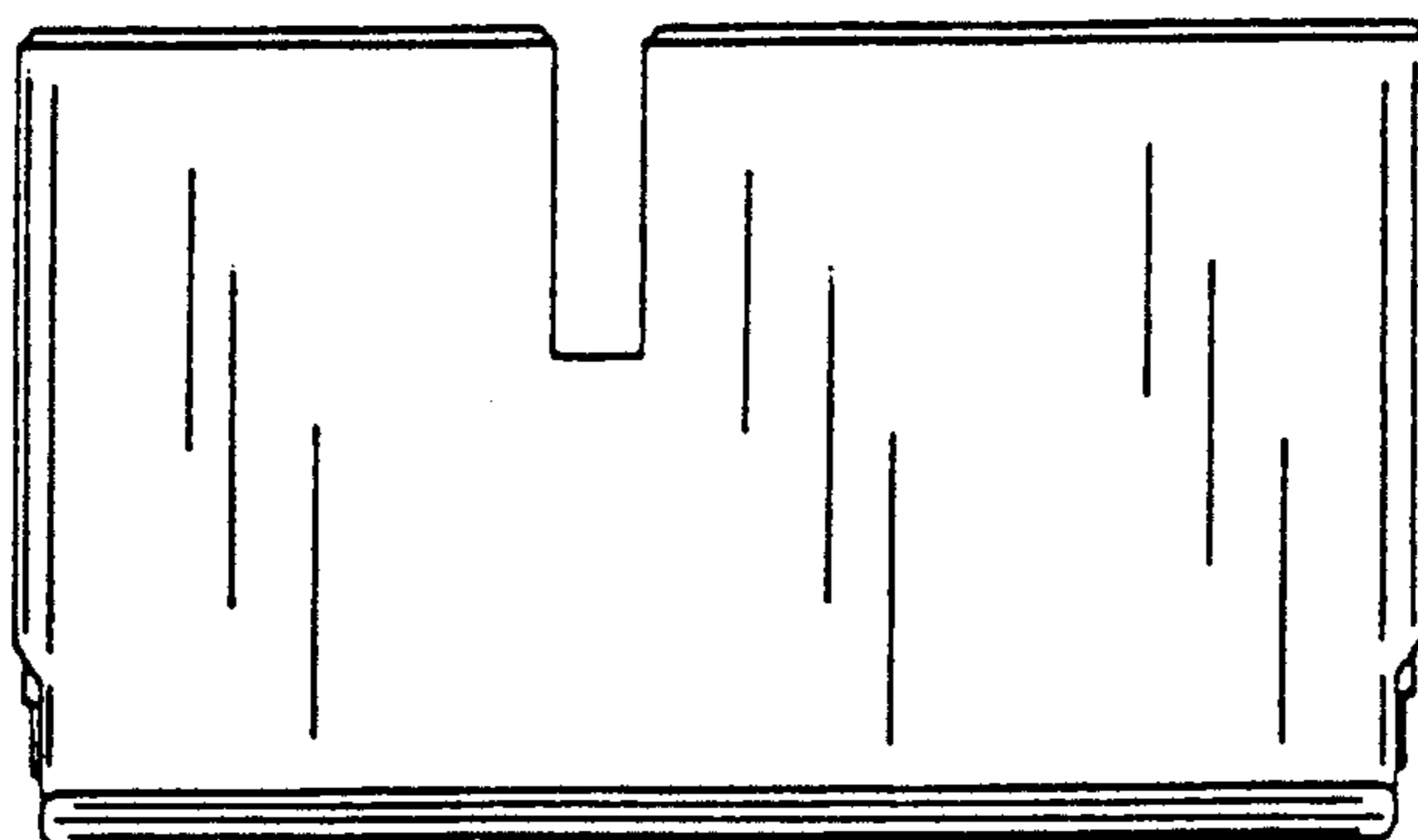


FIG. 6

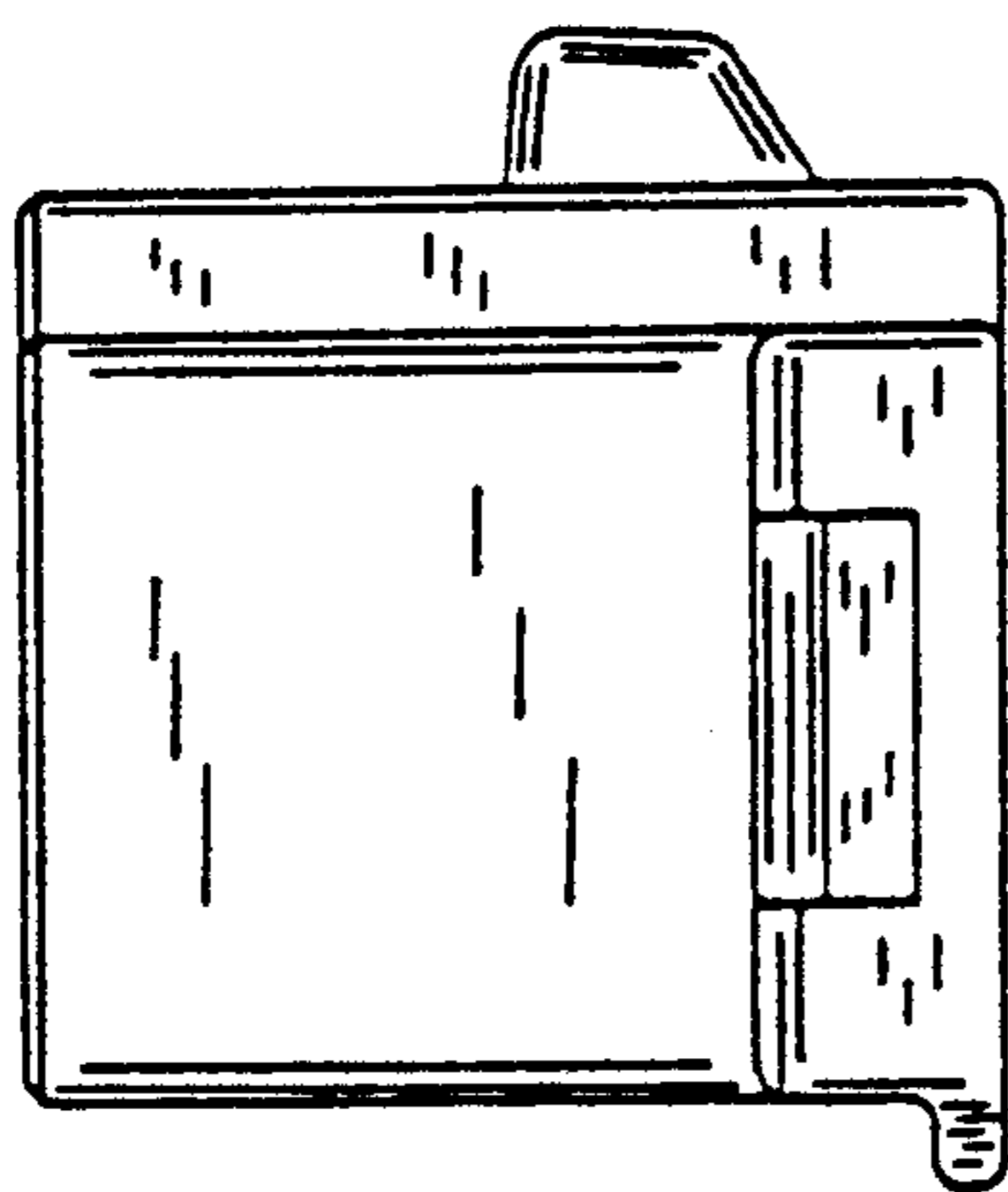


FIG. 7

