

[54] **ROTARY ELECTRICAL CONNECTOR**
[75] **Inventor: Albert Ditzig, Hoffman Estates, Ill.**
[73] **Assignee: Telephone Products, Inc., Wheeling, Ill.**
[**] **Term: 14 Years**
[21] **Appl. No.: 538,403**
[22] **Filed: Jun. 14, 1990**

D. 281,416 11/1985 Buscher et al. D13/24
D. 290,352 6/1987 Knickerbacker D13/28
2,231,289 2/1941 Judisch et al. D13/138 X
3,190,978 6/1965 Huget D13/30 X
4,143,930 3/1979 Schauer 439/23
4,270,827 6/1981 Potgieter 439/447 X
4,590,337 5/1986 Engelmores 439/21

Primary Examiner—Susan J. Lucas
Attorney, Agent, or Firm—Jeffrey M. Morris

Related U.S. Application Data

[62] Division of Ser. No. 870,322, Jun. 3, 1986.
[52] **U.S. Cl. D13/139**
[58] **Field of Search D13/133, 137-156;
D14/256; 439/13, 21, 23, 638, 445-449**

[57] **CLAIM**

The ornamental design for a rotary electrical connector, as shown and described.

DESCRIPTION

[56] **References Cited**
U.S. PATENT DOCUMENTS
D. 185,440 6/1959 Kunkle D13/145
D. 244,611 6/1977 Gietzen D13/28
D. 252,082 6/1979 Voelkert D13/146

FIG. 1 is a top, front perspective view of a rotary electrical connector, showing my new design;
FIG. 2 is a top plan view thereof;
FIG. 3 is a side elevational view thereof, the opposite side being a mirror image;
FIG. 4 is a bottom plan view thereof;
FIG. 5 is a rear elevational view thereof;
FIG. 6 is a front elevational view thereof.

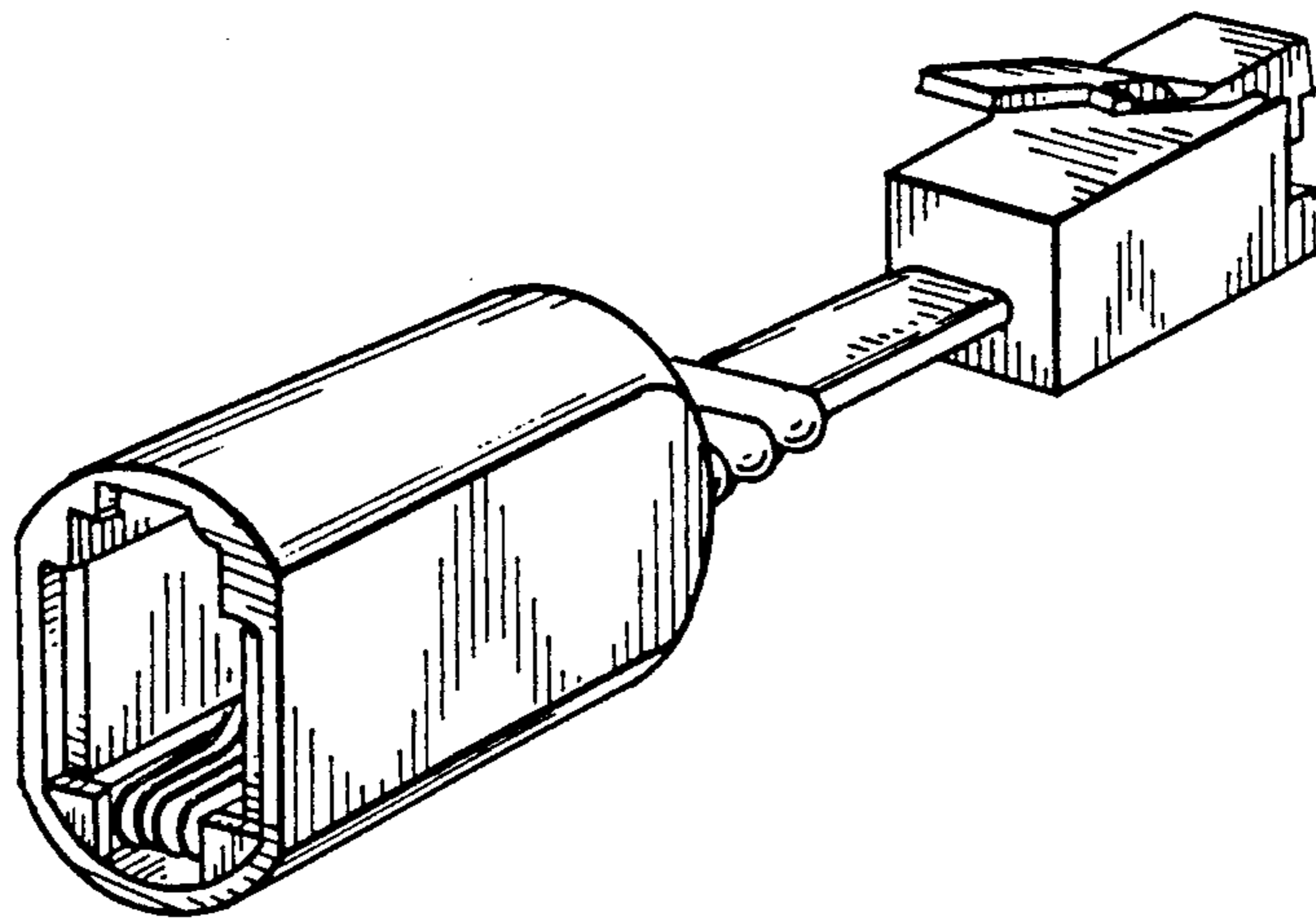


Fig. 1

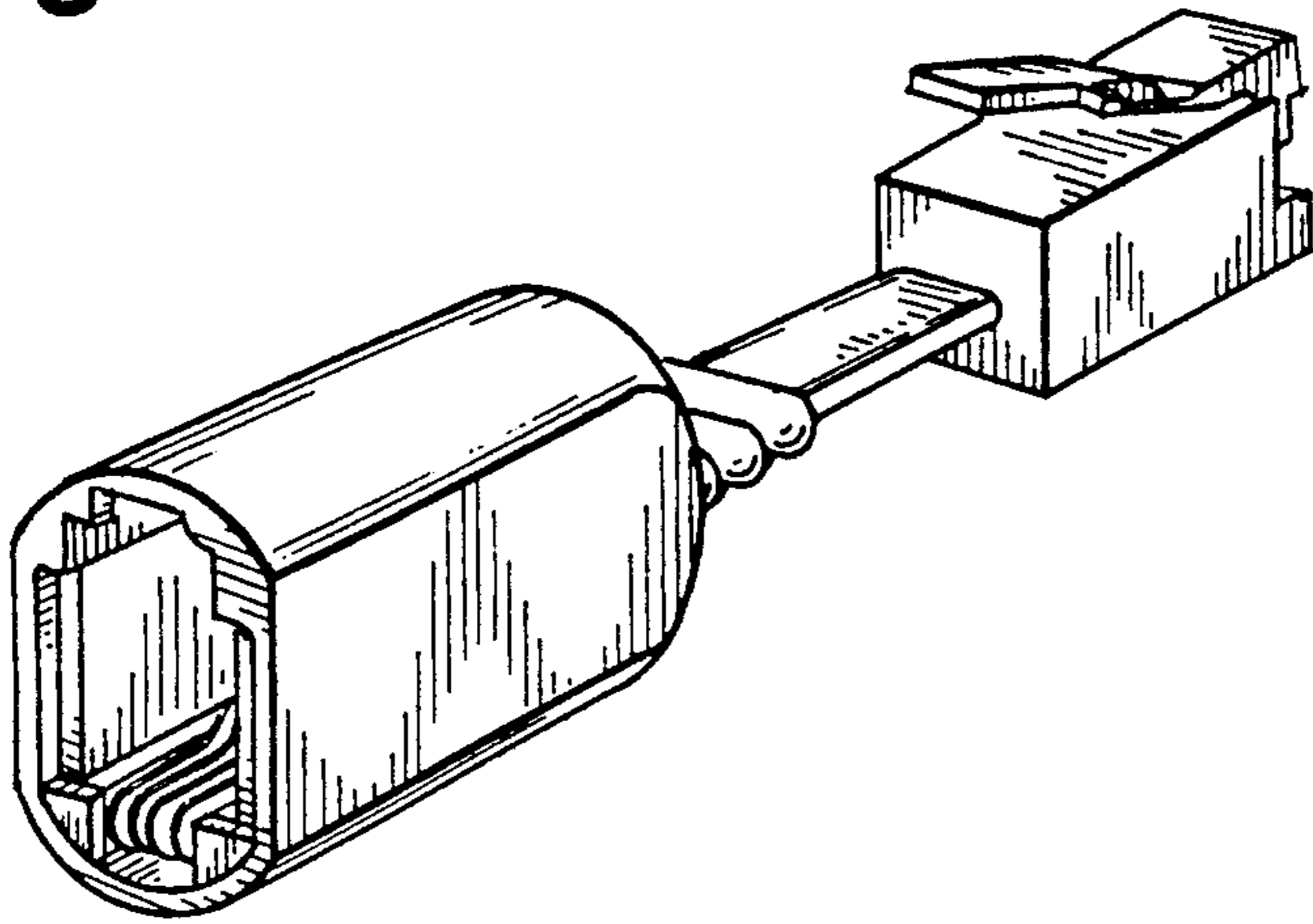


Fig. 5

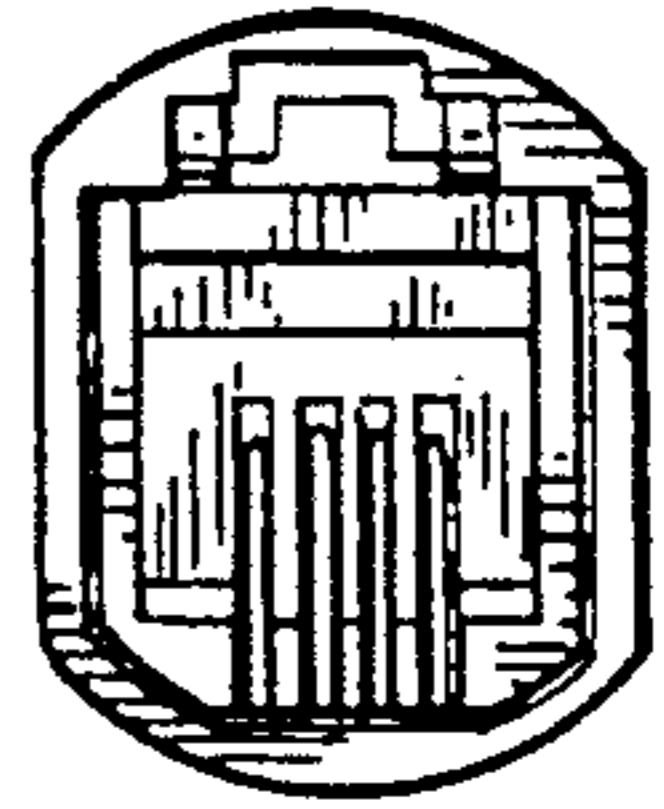


Fig. 6

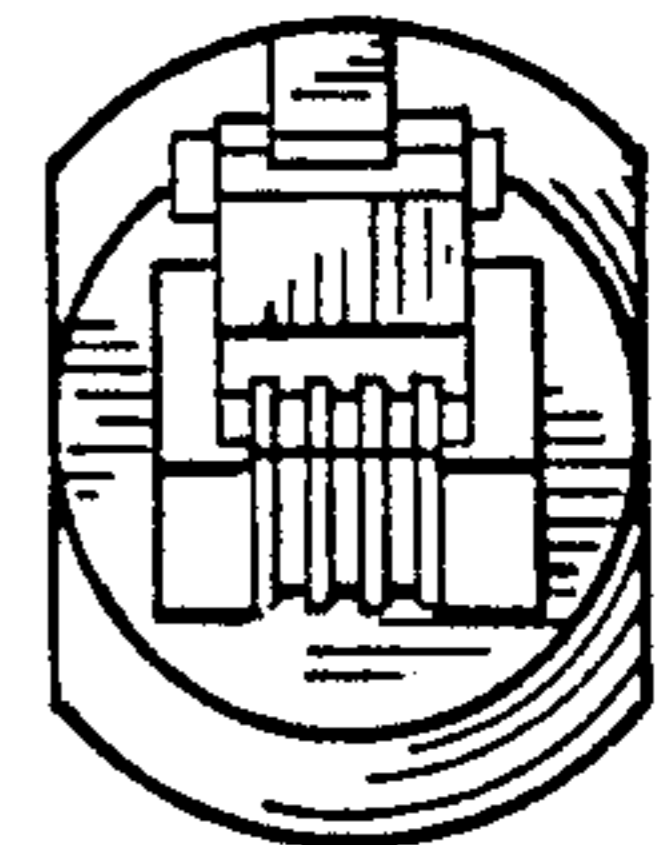


Fig. 2

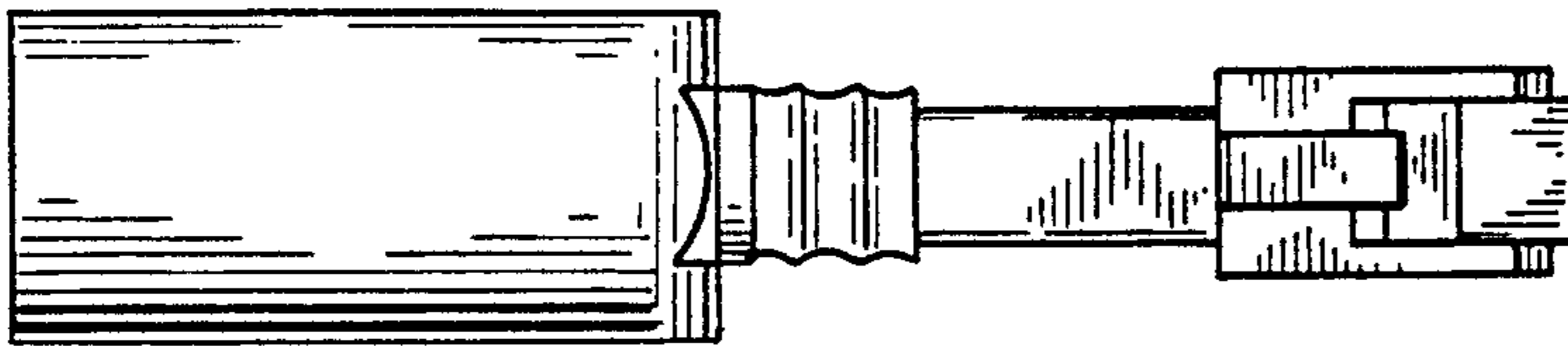


Fig. 3

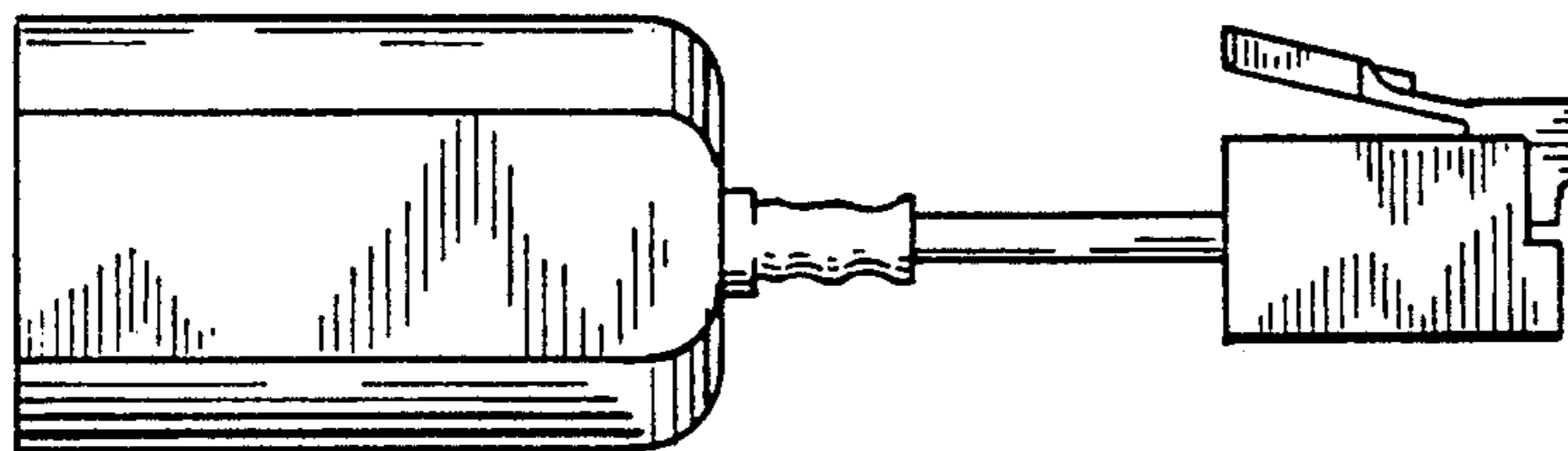


Fig. 4

