

[54] ADAPTER FOR COMPACT DISCHARGE LAMP

[75] Inventor: Torje Ilemo, Vallingby, Sweden

[73] Assignee: Combinova AB, Bromma, Sweden

[\*] Notice: The portion of the term of this patent subsequent to Nov. 12, 2005 has been disclaimed.

[\*\*] Term: 14 Years

[21] Appl. No.: 370,395

[22] Filed: Jun. 16, 1989

[30] Foreign Application Priority Data

Dec. 16, 1988 [SE] Sweden ..... 88-2913

[52] U.S. Cl. .... D13/135; D26/3

[58] Field of Search ..... D26/2, 3; 315/56, 57, 315/58; 313/315, 318, 493; 439/227, 232, 236; D13/134, 135

[56] References Cited

U.S. PATENT DOCUMENTS

D. 290,110 6/1987 Blaisdell et al. .... D13/135

|            |         |                |           |
|------------|---------|----------------|-----------|
| D. 304,030 | 10/1989 | Vakil .....    | D26/3 X   |
| 4,623,823  | 11/1986 | Engel .....    | 313/318 X |
| 4,683,402  | 7/1987  | Aubrey .....   | 315/56    |
| 4,695,767  | 9/1987  | Wittmann ..... | 315/58    |

OTHER PUBLICATIONS

Domus, 4-1986, p. 16 ADS, Compact Fluorescent Lamp.

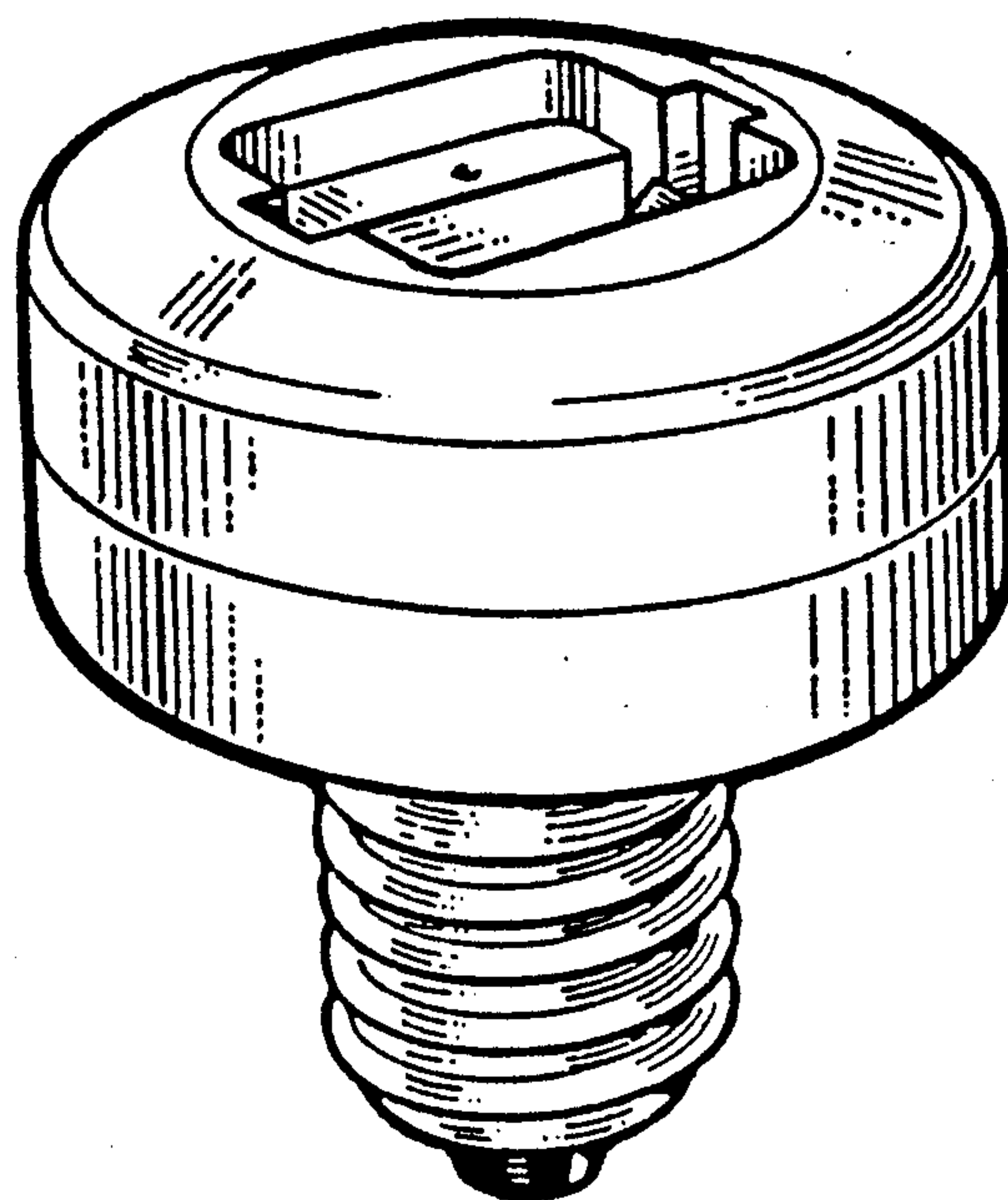
Primary Examiner—Susan J. Lucas  
Attorney, Agent, or Firm—Fleit, Jacobson, Cohn, Price, Holman & Stern

[57] CLAIM

The ornamental design for an adapter for compact discharge lamp, as shown and described.

DESCRIPTION

FIG. 1 is a top perspective view of an adapter for compact discharge lamp showing my new design; FIG. 2 is a bottom perspective view thereof; FIG. 3 is a side elevational view thereof, the opposite side being a mirror image; FIG. 4 is a bottom plan view thereof; and FIG. 5 is a top plan view thereof.



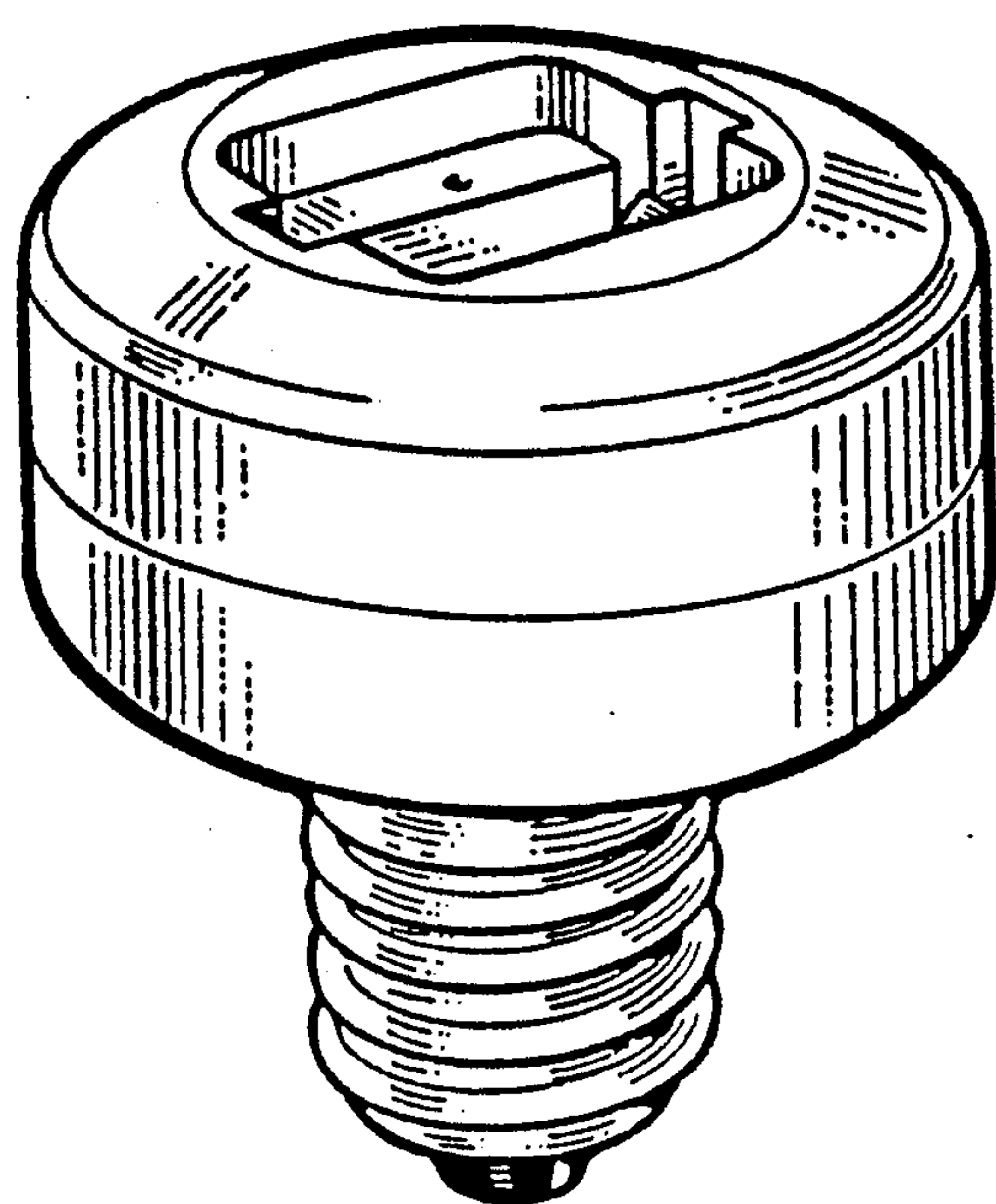


FIG. 1

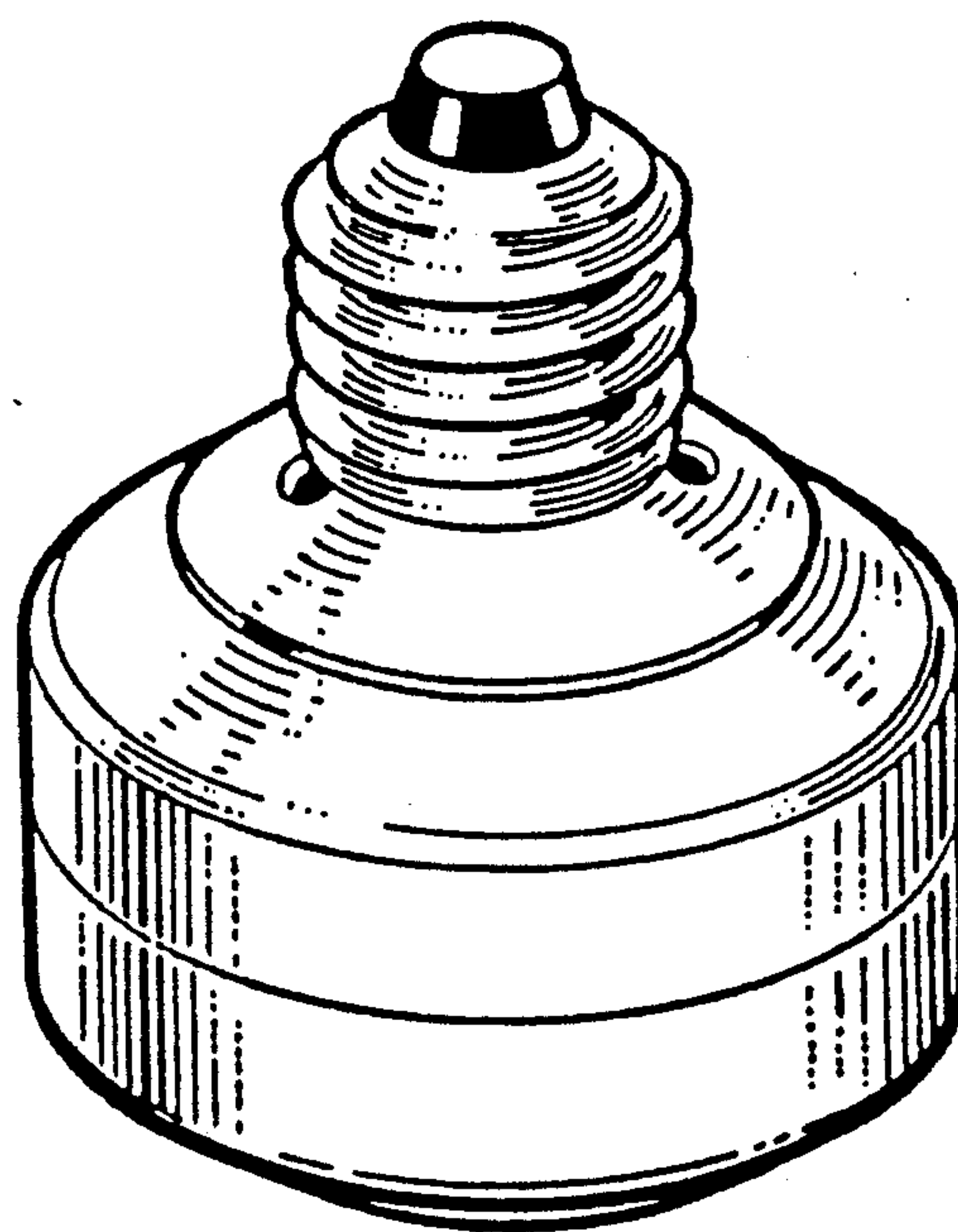


FIG. 2

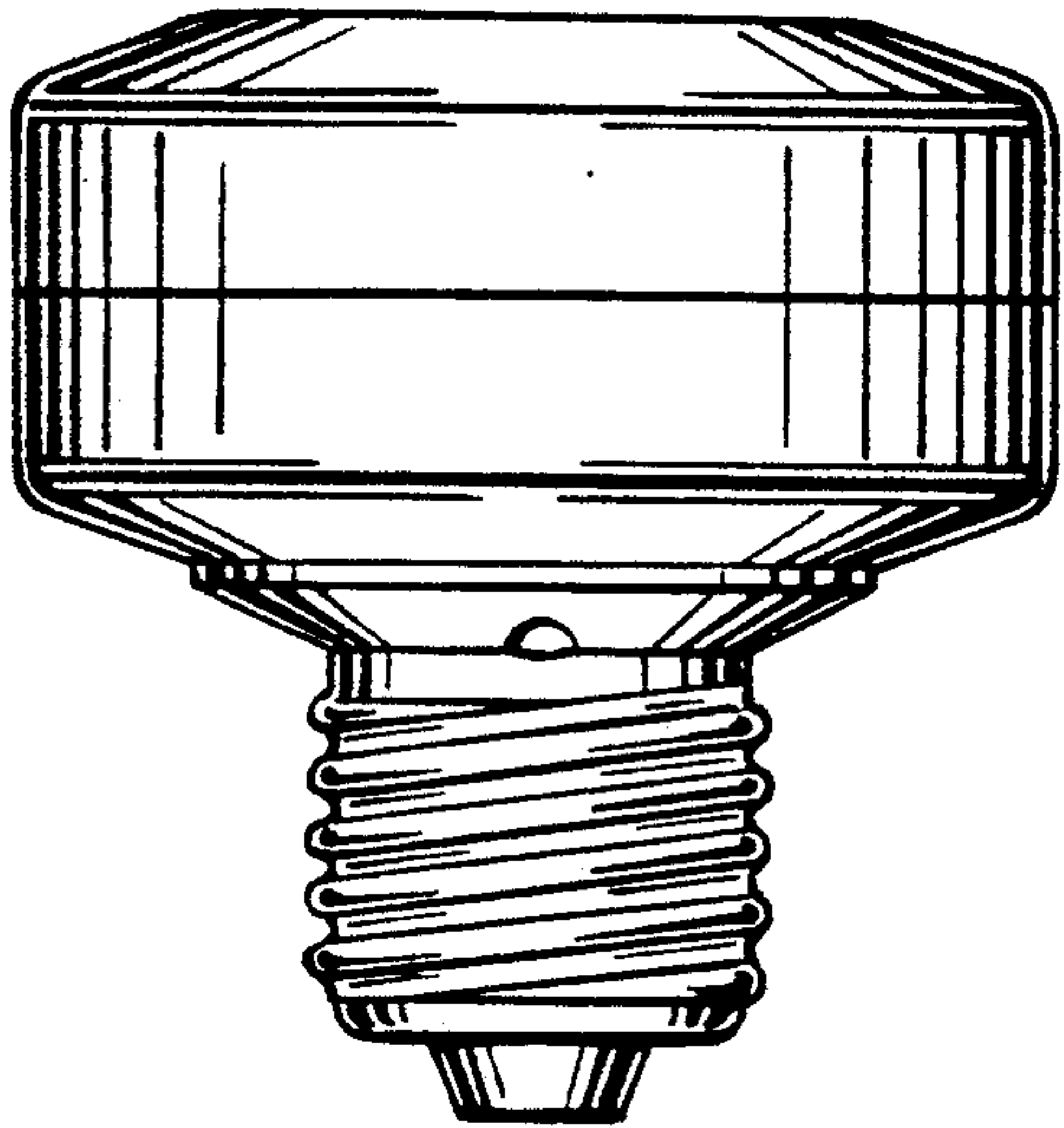


FIG. 3

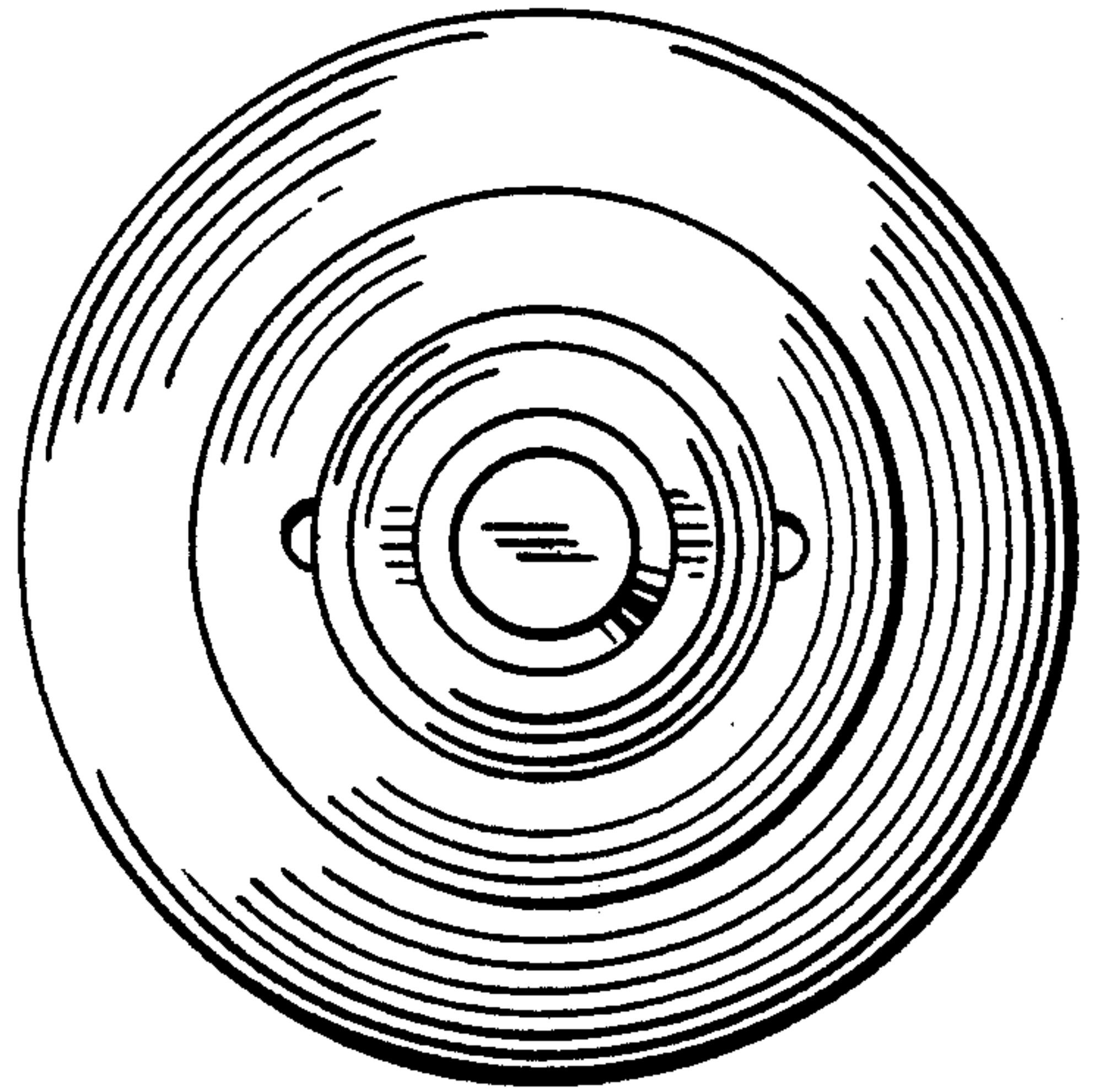


FIG. 4

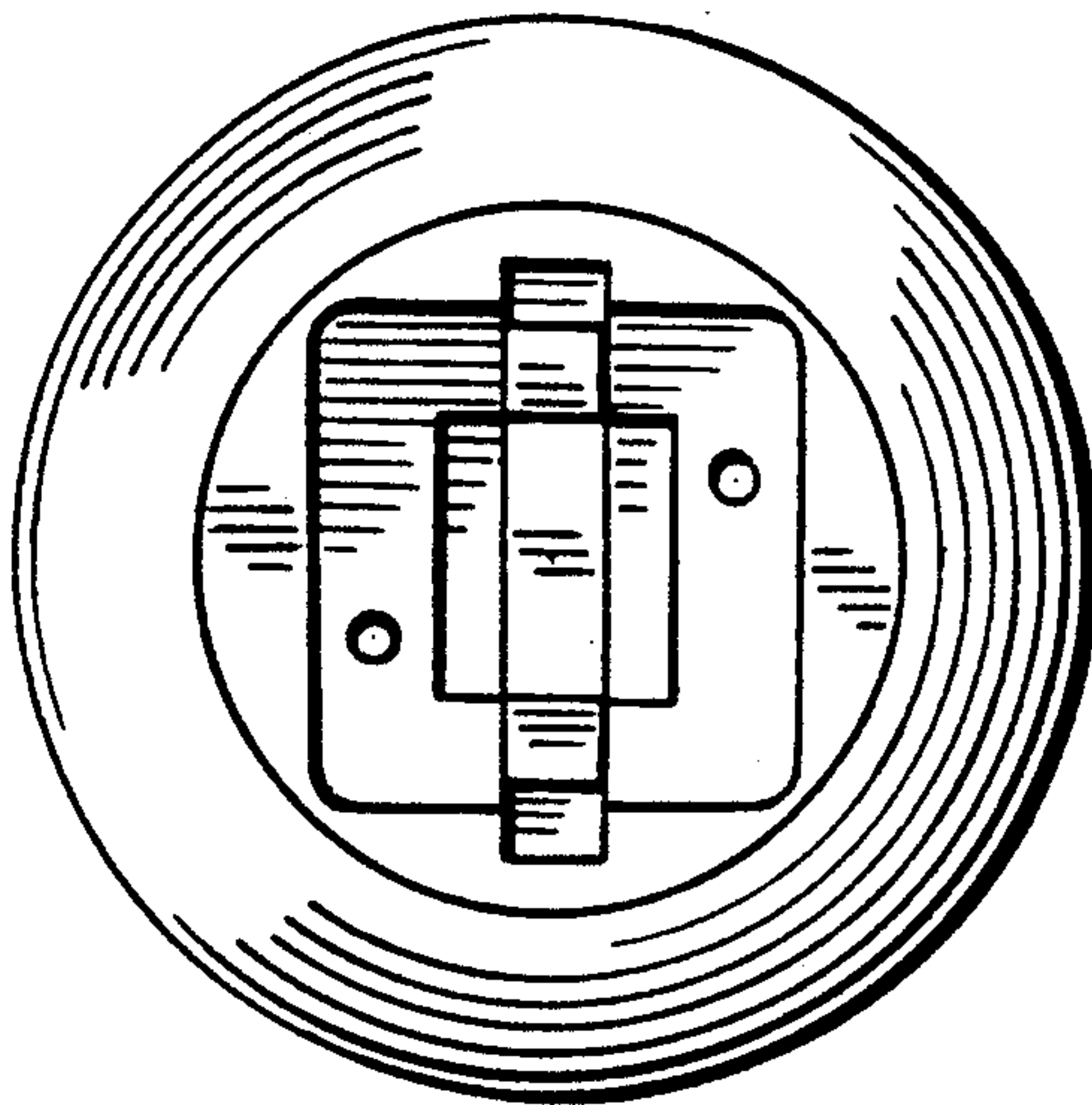


FIG. 5