

[54] BATTERY CASE

[75] Inventor: Kouki Fukuda, Osaka, Japan

[73] Assignee: Sharp Corporation, Osaka, Japan

[**] Term: 14 Years

[21] Appl. No.: 325,492

[22] Filed: Mar. 20, 1989

[30] Foreign Application Priority Data

Oct. 18, 1988 [JP] Japan 63-40733

[52] U.S. Cl. D13/103; D23/335

[58] Field of Search D13/103, 184, 199;
D14/137; 320/2, 3, 4; 455/127, 346;
429/96-100, 121, 123, 159, 176, 178; D23/335

[56] References Cited

U.S. PATENT DOCUMENTS

D. 246,254 11/1977 Schade D23/335

D. 246,525 11/1977 Schade 423/335

D. 281,245 11/1985 Lewis D13/184 X
D. 311,389 10/1990 Festa et al. D13/184 X
4,515,872 5/1985 Okano 429/178 X

Primary Examiner—Susan J. Lucas
Assistant Examiner—J. Sincavage
Attorney, Agent, or Firm—Flehr, Hohbach, Test,
Albritton & Herbert

[57] CLAIM

The ornamental design for an battery case, shown and described.

DESCRIPTION

FIG. 1 is a perspective view of the battery case showing the new design;

FIG. 2 is a top plan view thereof;

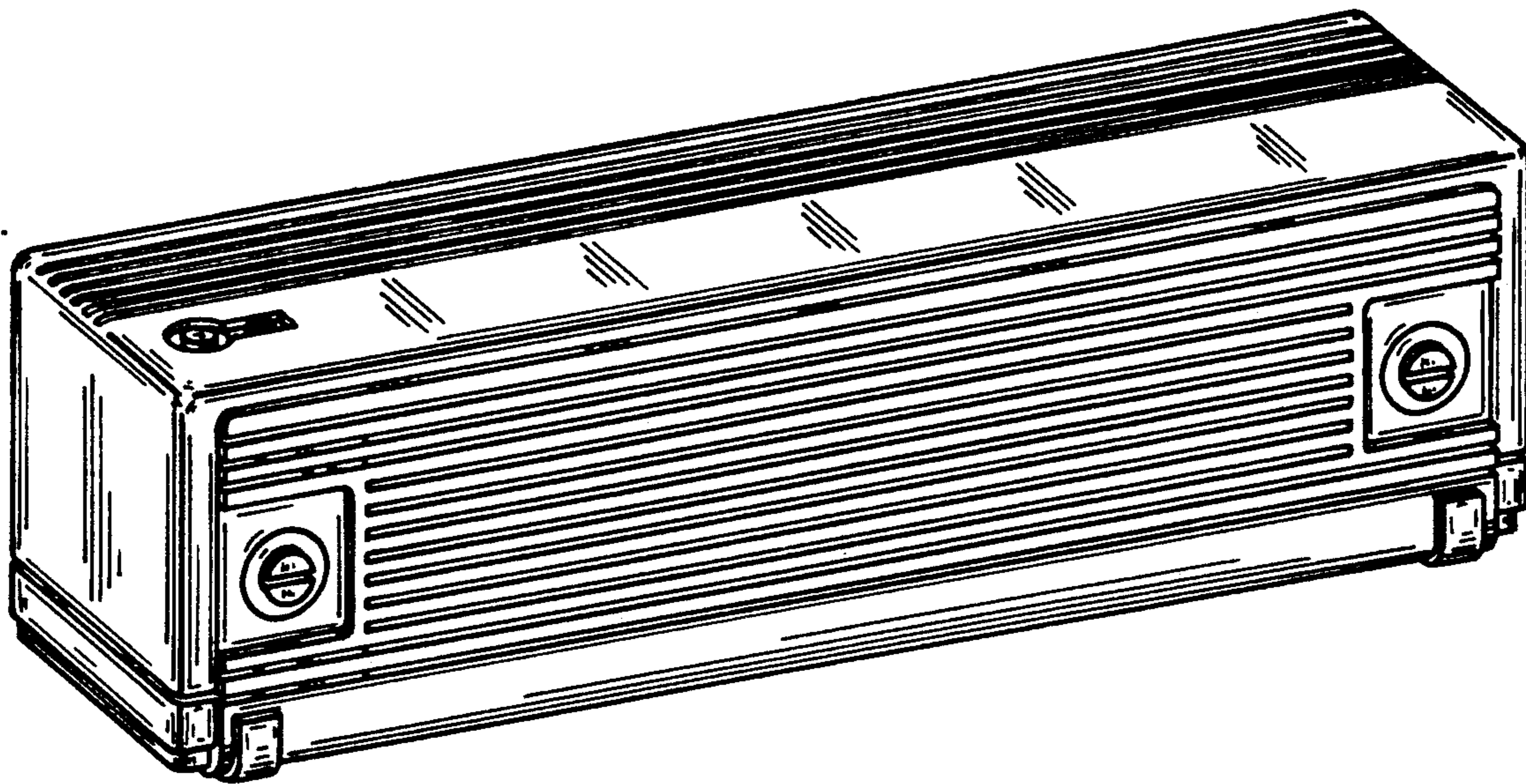
FIG. 3 is a bottom plan view thereof;

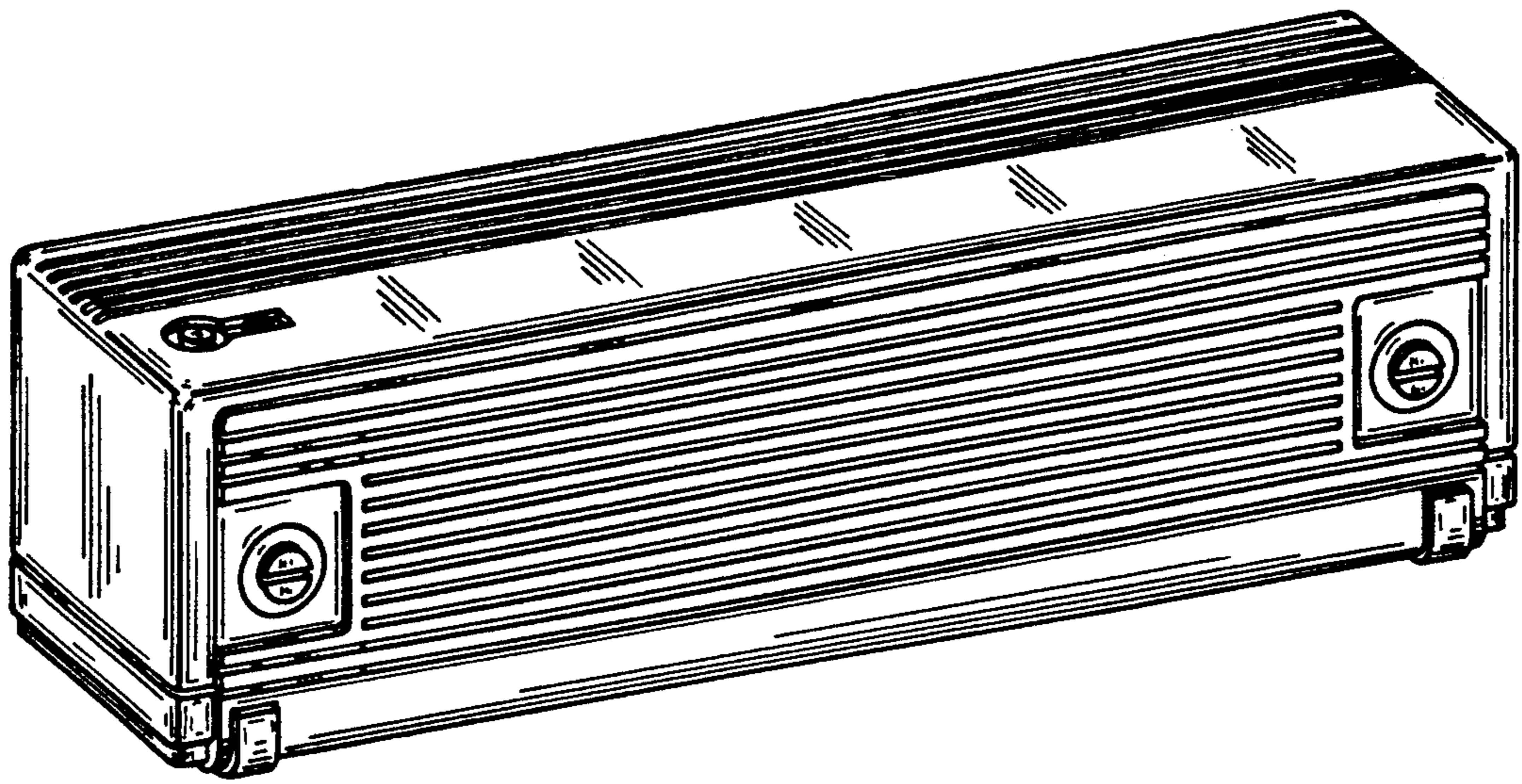
FIG. 4 is a front elevational view thereof;

FIG. 5 is a rear elevational view thereof;

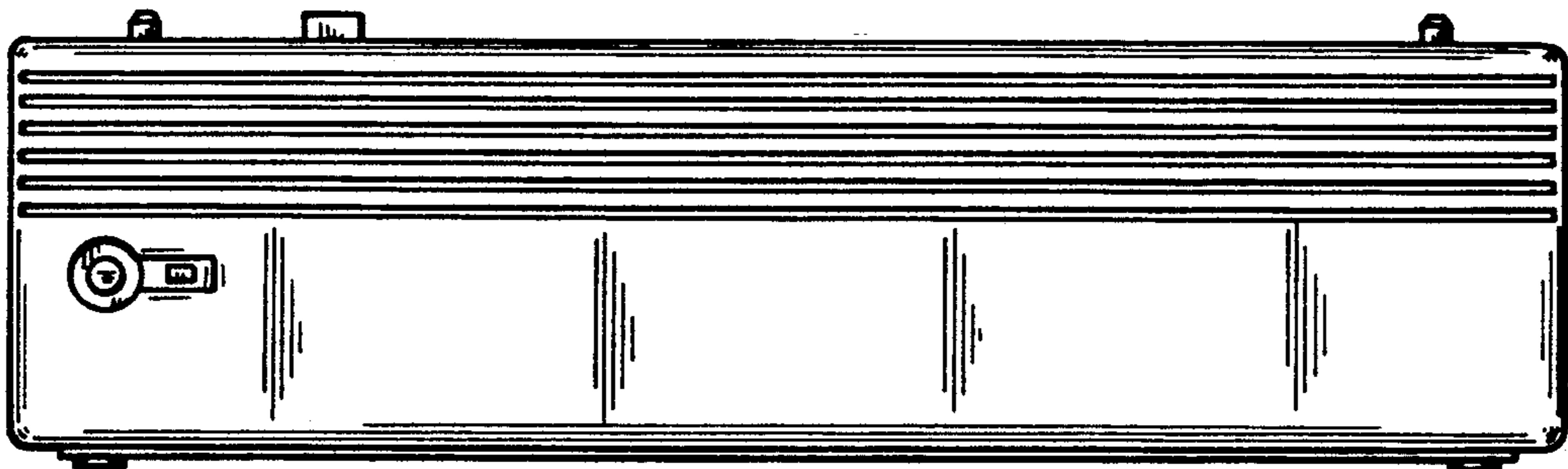
FIG. 6 is a right side elevational view thereof; and

FIG. 7 is a left side elevational view thereof.

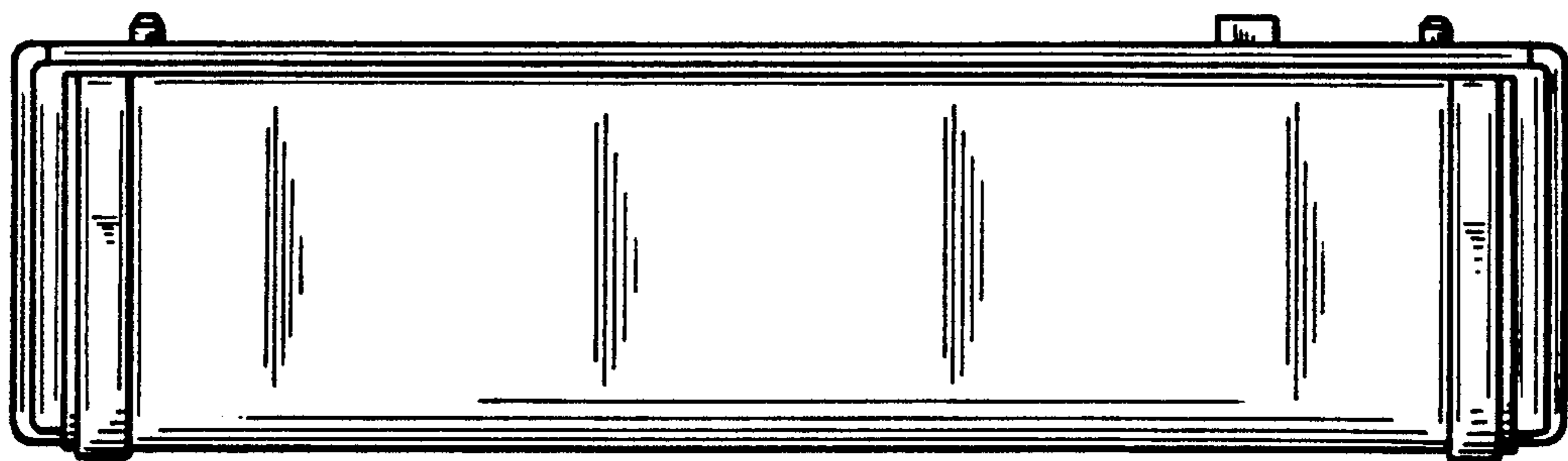




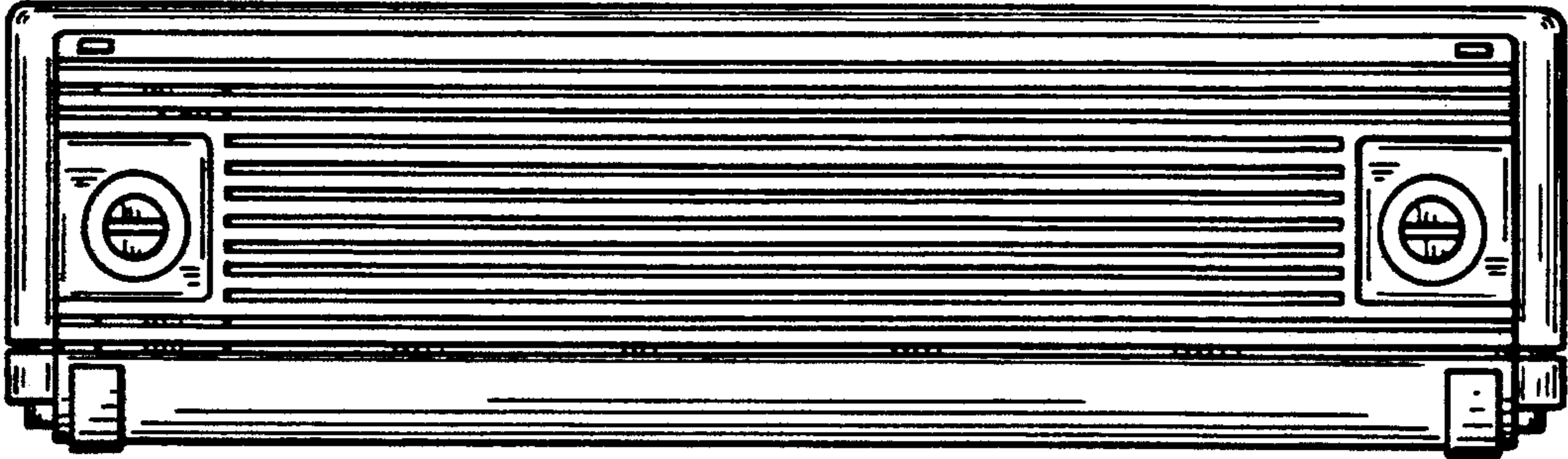
FIG_1



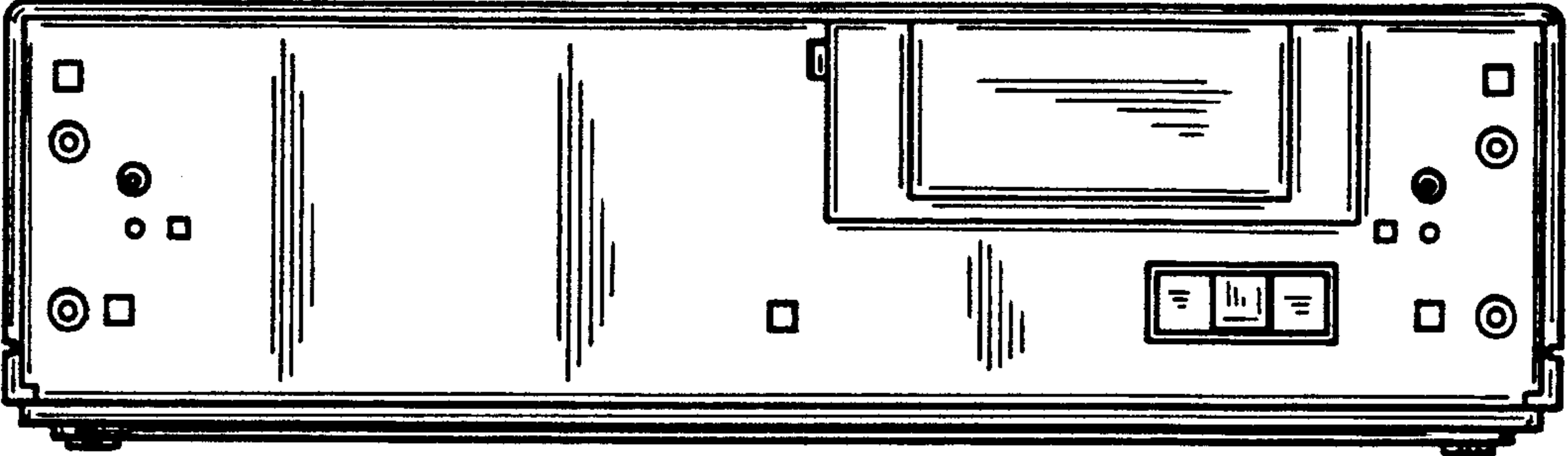
FIG_2



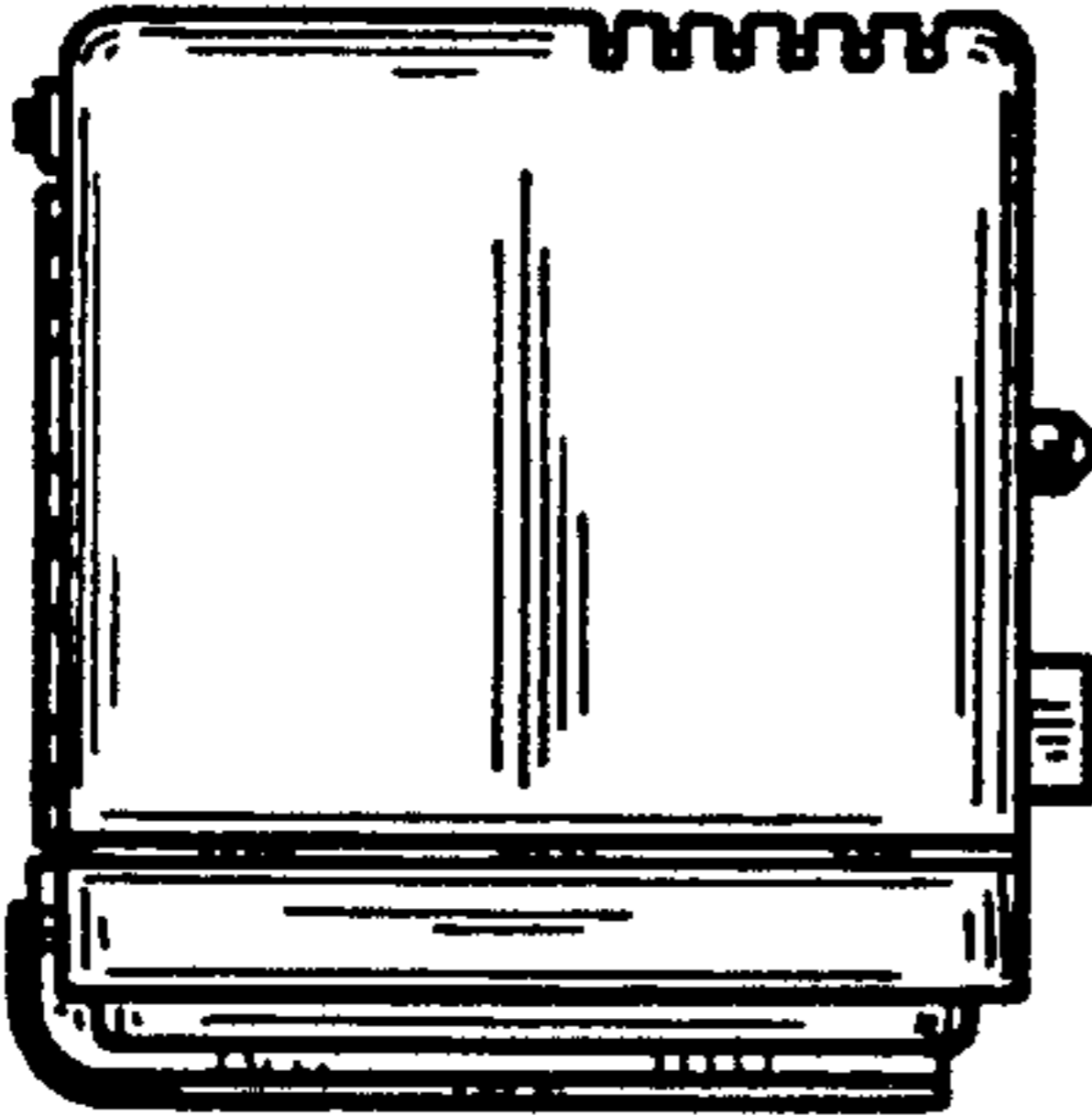
FIG_3



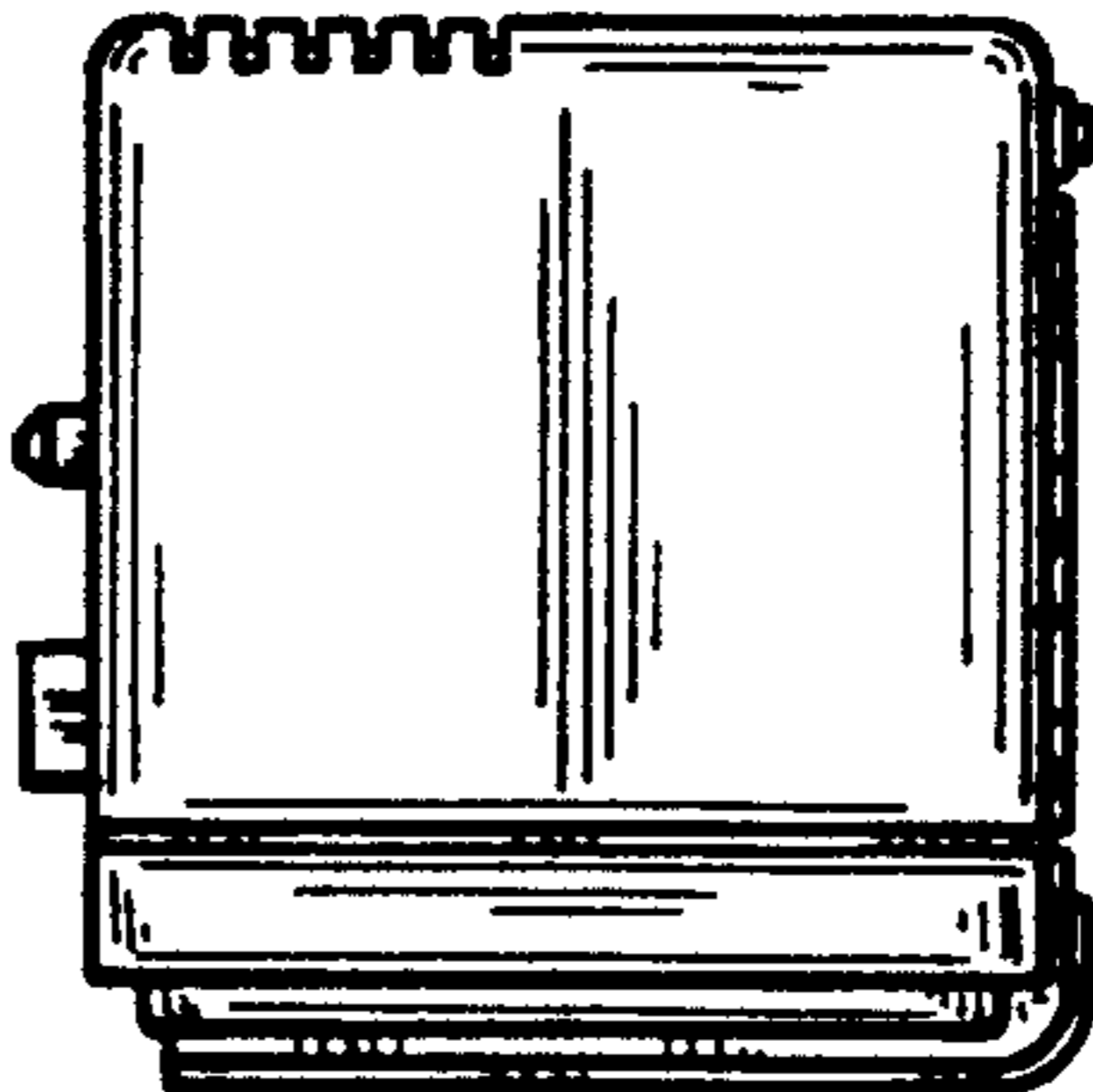
FIG_4



FIG_5



FIG_6



FIG_7