

[54] PLAQUE

[75] Inventor: Peter M. Stagl, Morris Plains, N.J.

[73] Assignee: Avnet, Inc., Great Neck, N.Y.

[\*\*] Term: 14 Years

[21] Appl. No.: 411,671

[22] Filed: Sep. 25, 1989

[52] U.S. Cl. .... D11/132

[58] Field of Search ..... D11/131, 132; D6/300; 40/152; 428/913.3

[56] References Cited

U.S. PATENT DOCUMENTS

D. 90,363	7/1933	Eichelsdoerfer	.....	D11/132
D. 172,515	6/1954	Pizeorski	.....	D11/132
D. 244,158	5/1977	Averill	.....	D6/300
D. 282,024	1/1986	Muranen	.....	D6/300
D. 306,659	3/1990	Mercondante	.....	D6/300
D. 309,679	8/1990	Ackeret	.....	D6/300 X

OTHER PUBLICATIONS

Simco Awards Catalog; 1973-74; p. 36; Plaque (right center).

Simco Awards Catalog; 1973-74; p. 38; Plaque VIP1 (top left).

Dan Kain Trophies; 1987; p. 3; Plaque D.

Primary Examiner—Bernard Ansher

Assistant Examiner—Dominic Simone

Attorney, Agent, or Firm—Darby & Darby

[57] CLAIM

The ornamental design for a plaque, as shown and described.

DESCRIPTION

FIG. 1 is a top perspective view of a plaque showing my new design;

FIG. 2 is a front elevational view thereof;

FIG. 3 is a top view thereof, the bottom view being a mirror image thereof;

FIG. 4 is a right side elevational view thereof, the left side being a mirror image of the right side shown;

FIG. 5 is a rear elevational view thereof; and

FIG. 6 is an enlarged fragmentary sectional view thereof, taken in the direction of the arrows along line 6-6 of FIG. 2;.

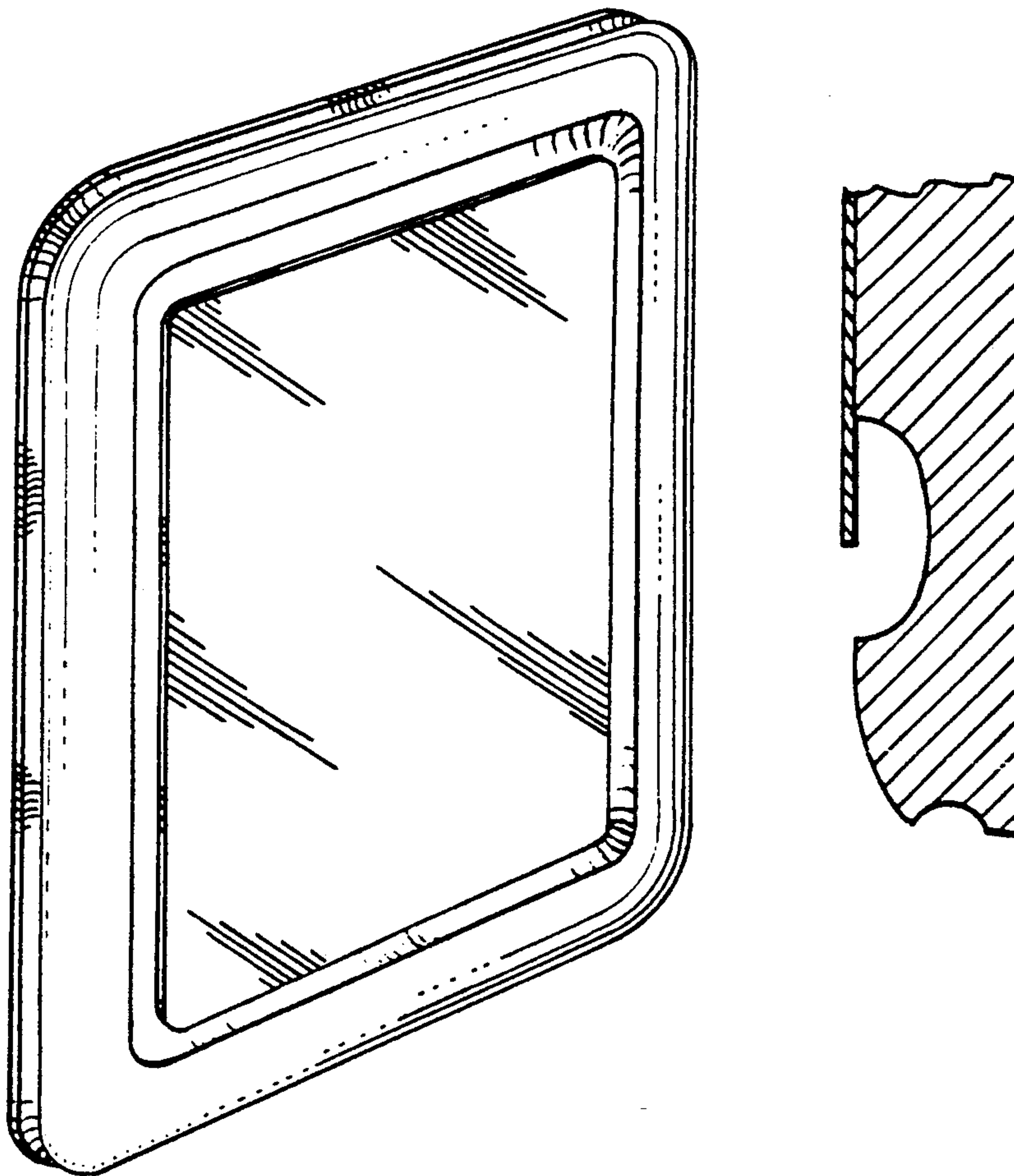


FIG. 1

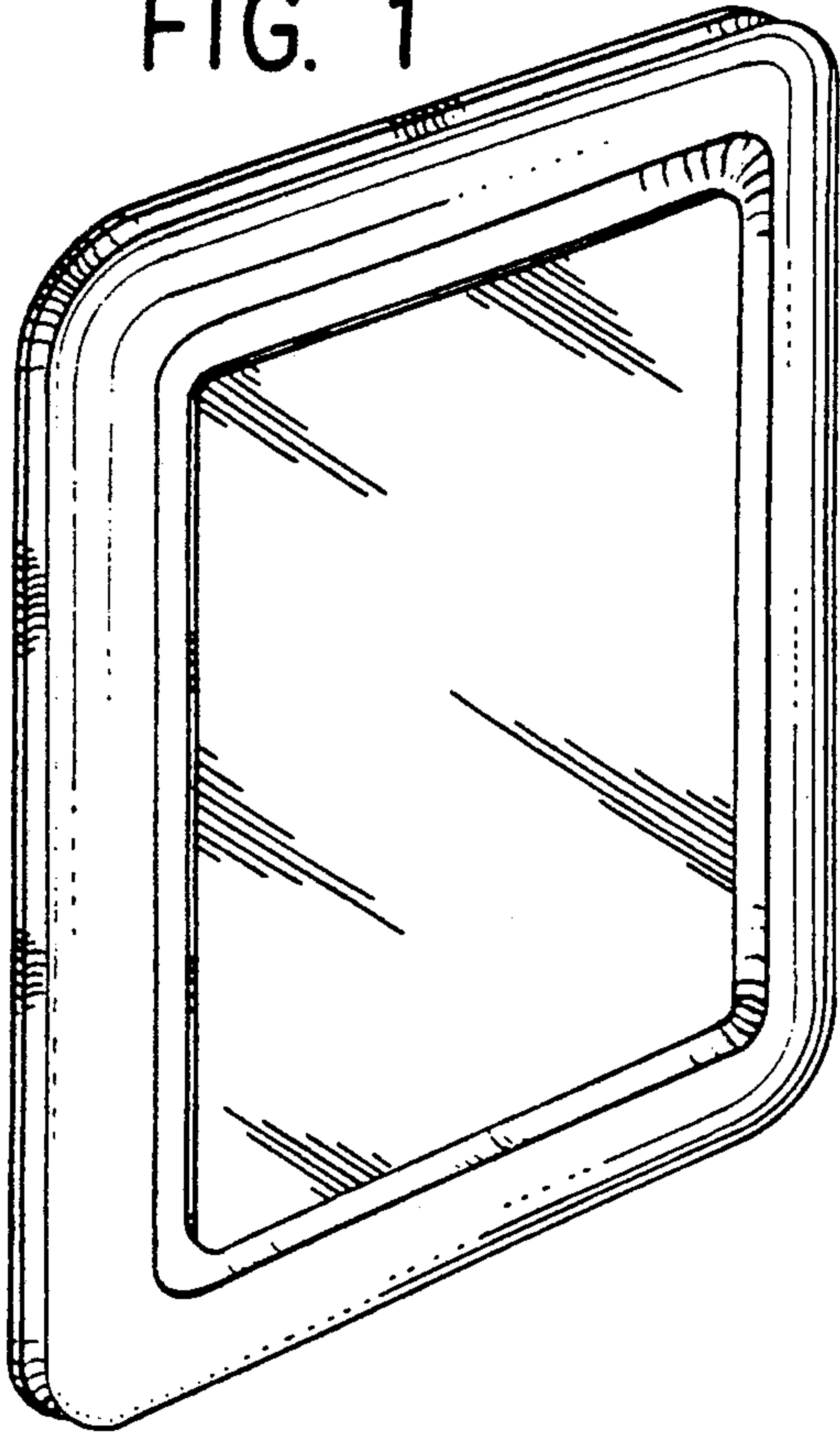


FIG. 2

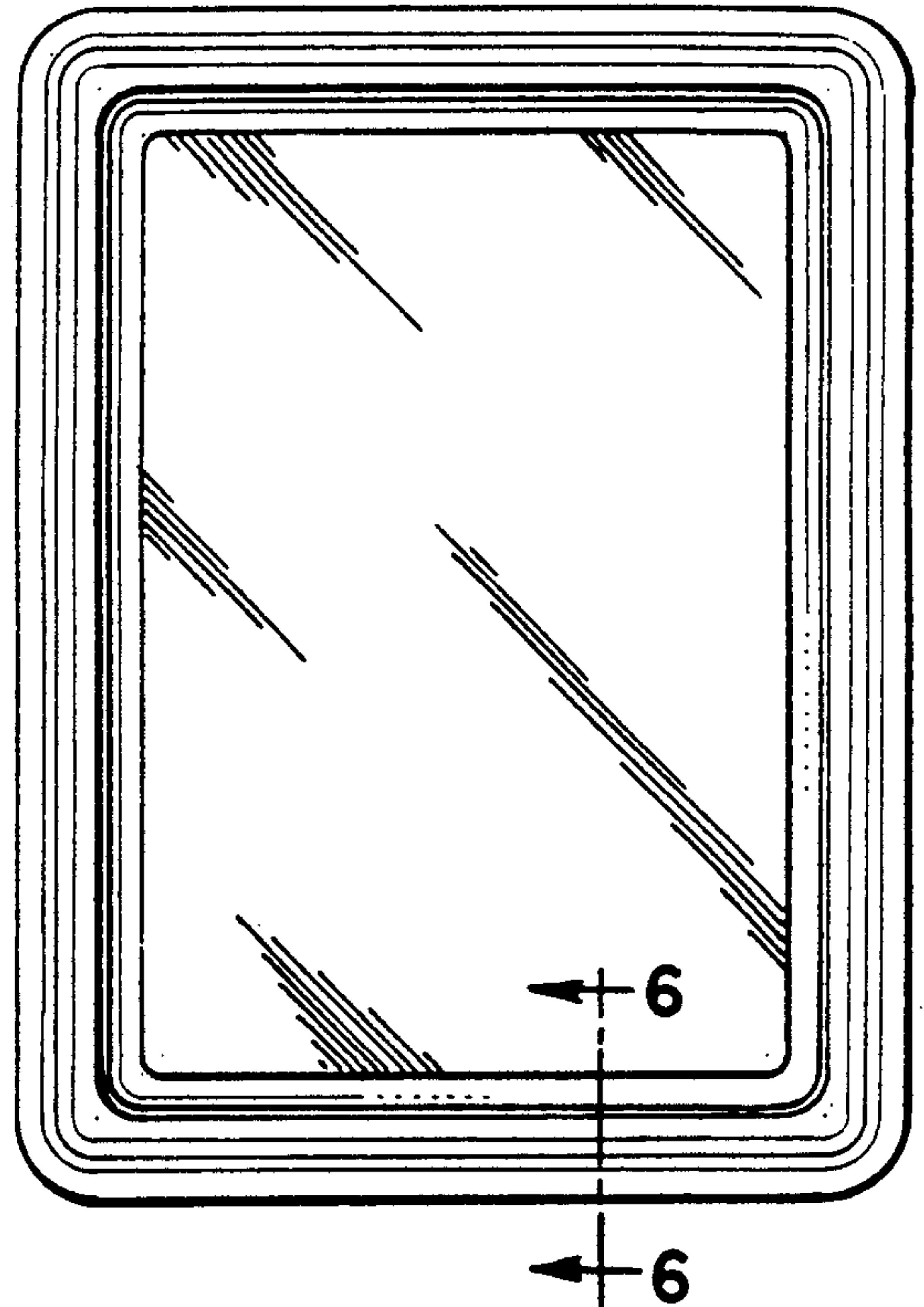


FIG. 3

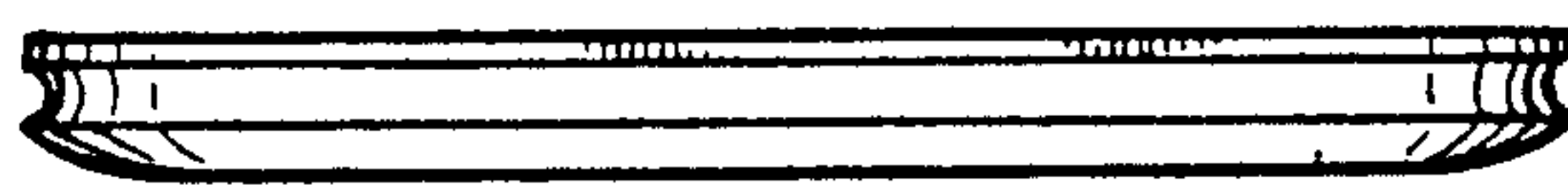


FIG. 4



FIG. 5

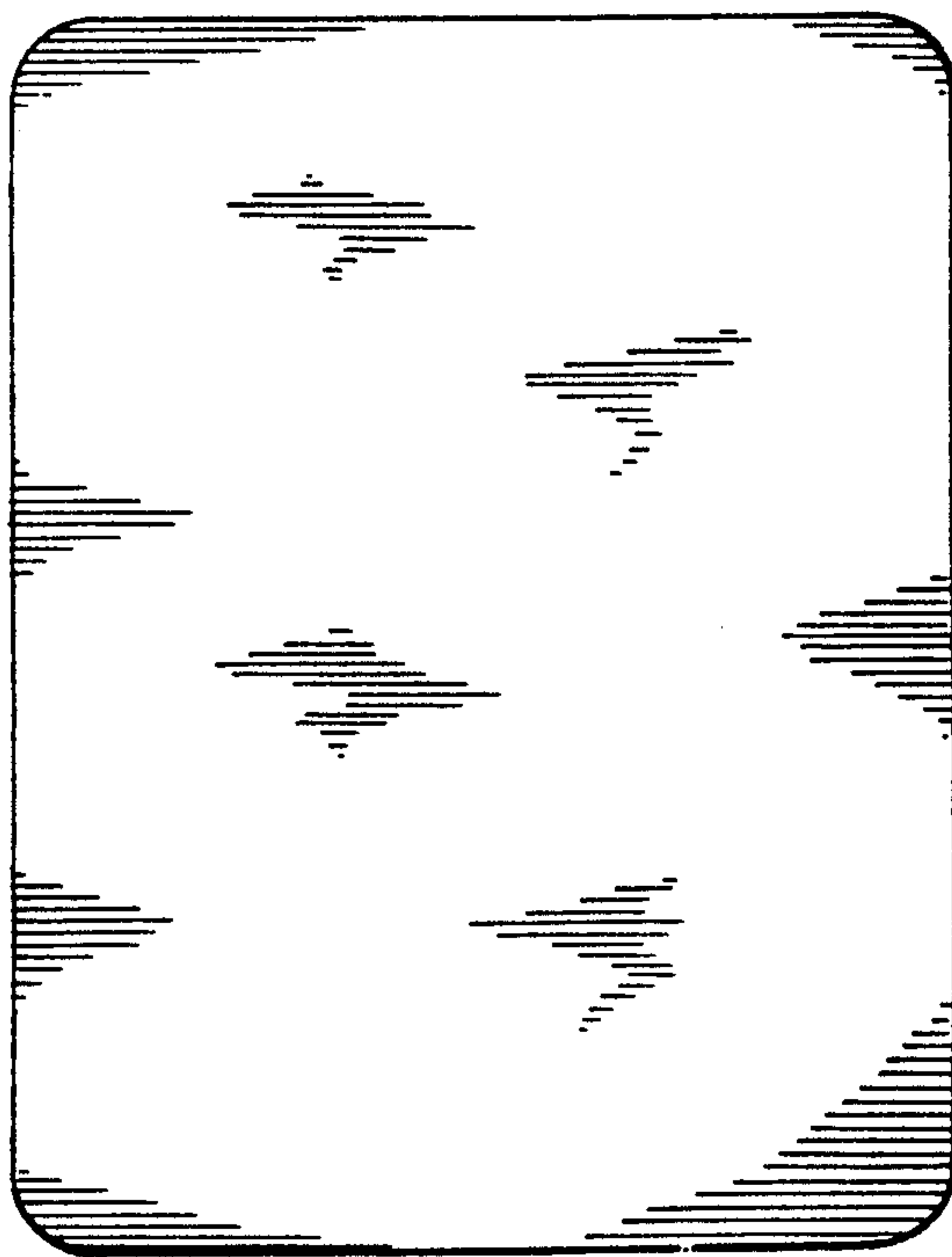


FIG. 6

