

[54] **POT-POURRI HOLDER**

4,744,476 5/1988 McKee ..... 215/1 R X

[76] **Inventor: Mary H. Cronin, P.O. Box 130071,  
Sunrise, Fla. 33313**

[\*\*] **Term: 14 Years**

[21] **Appl. No.: 441,424**

[22] **Filed: Nov. 27, 1989**

[52] **U.S. Cl. .... D11/131.1; D11/131**

[58] **Field of Search ..... D11/131.1, 131;  
D23/366, 369; D26/11; 215/1 R**

[56] **References Cited**

**U.S. PATENT DOCUMENTS**

- D. 241,848 10/1976 Schimanski ..... D23/369
- D. 257,788 1/1981 Suhajda ..... D23/366
- D. 281,911 12/1985 Williams ..... D26/11
- D. 289,678 5/1987 Kwiatkowski ..... D11/131.1

**OTHER PUBLICATIONS**

Tableware International; Jul. 1986; p. 56; Crystal Salt & Pepper Shaker Set (top left).

*Primary Examiner*—Bernard Ansher  
*Assistant Examiner*—Dominic Simone  
*Attorney, Agent, or Firm*—Oltman and Flynn

[57] **CLAIM**

The ornamental design for a pot-pourri holder, as shown.

**DESCRIPTION**

FIG. 1 is a front elevational view of a pot-pourri holder showing my new design, the rear left and right sides thereof being identical; FIG. 2 is a top plan view thereof; and FIG. 3 is a bottom plan view thereof.

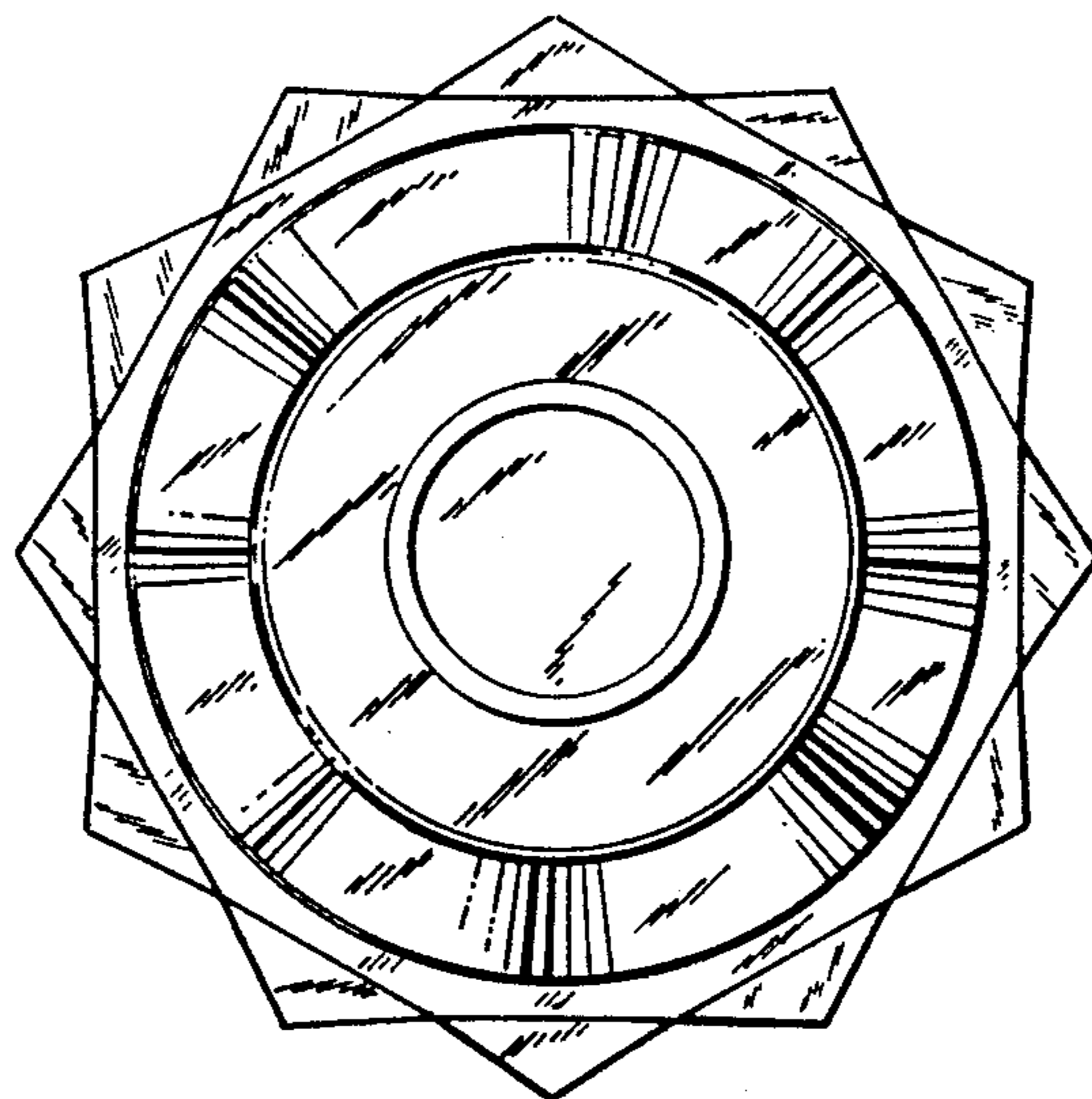
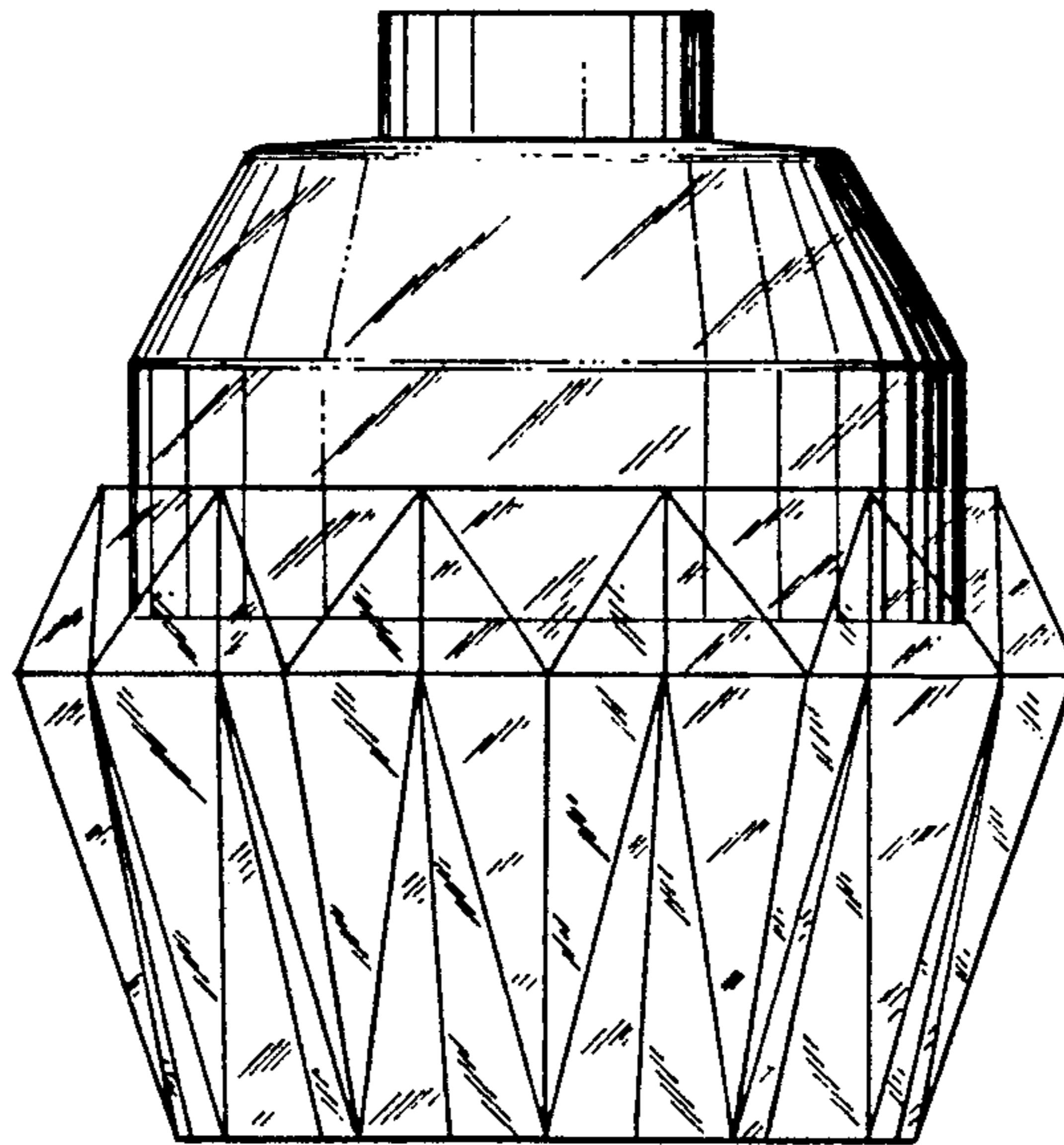


FIG. 1

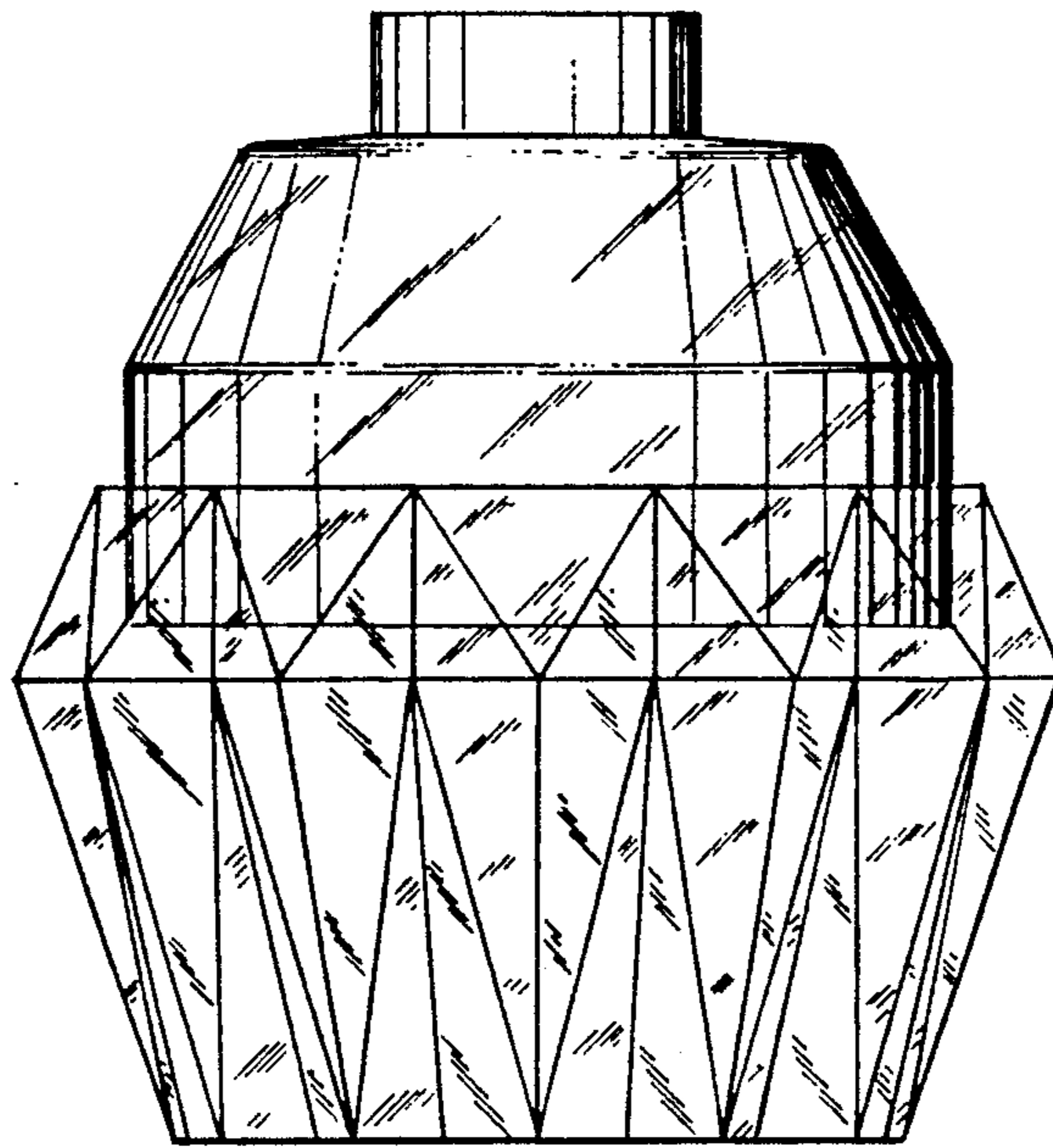


FIG. 2

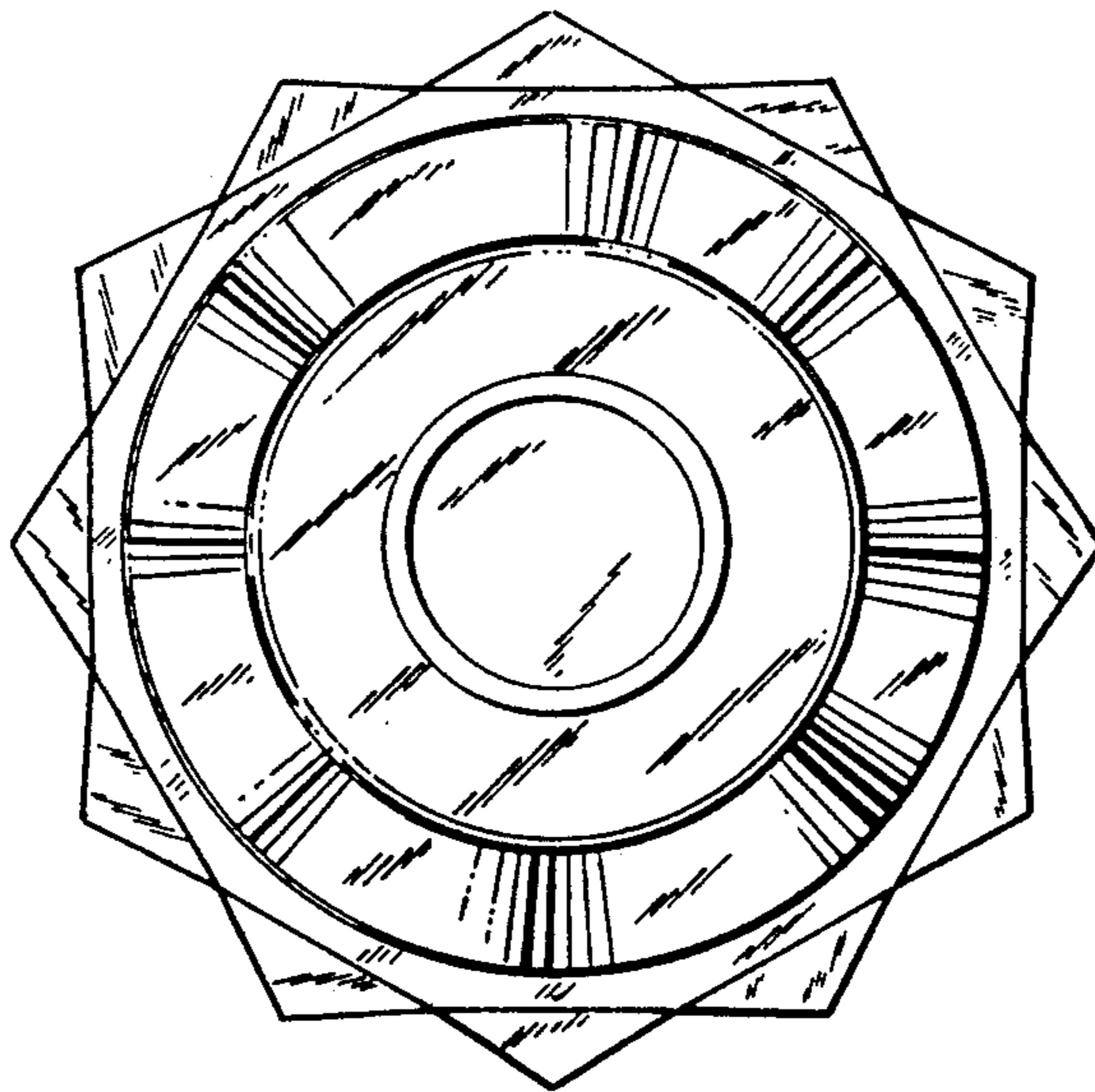


FIG. 3

