

[54] INFRARED THERMOMETER

4,863,281 9/1989 Suszynski 374/208 X
4,895,164 1/1990 Wood D10/57 X

[75] Inventor: Joseph J. Manno, La Jolla, Calif.

[73] Assignee: Diatek Incorporated, San Diego, Calif.

[**] Term: 14 Years

[21] Appl. No.: 341,897

[22] Filed: Apr. 24, 1989

[52] U.S. Cl. D10/57

[58] Field of Search D10/52, 57; 128/664,
128/632, 633, 634, 736; 206/306; 374/120, 121,
129, 158, 208, 209; 604/192, 194

[56] References Cited

U.S. PATENT DOCUMENTS

D. 246,766 12/1977 Everest D10/57
4,602,642 7/1986 O'Hara et al. D10/57 X
4,634,294 1/1987 Christol et al. D10/57 X
4,790,324 12/1988 O'Hara et al. 128/664
4,797,840 1/1989 Fraden 128/736 X

OTHER PUBLICATIONS

Wahl, Digital Heat Spy, 8/11/75, p. 5.

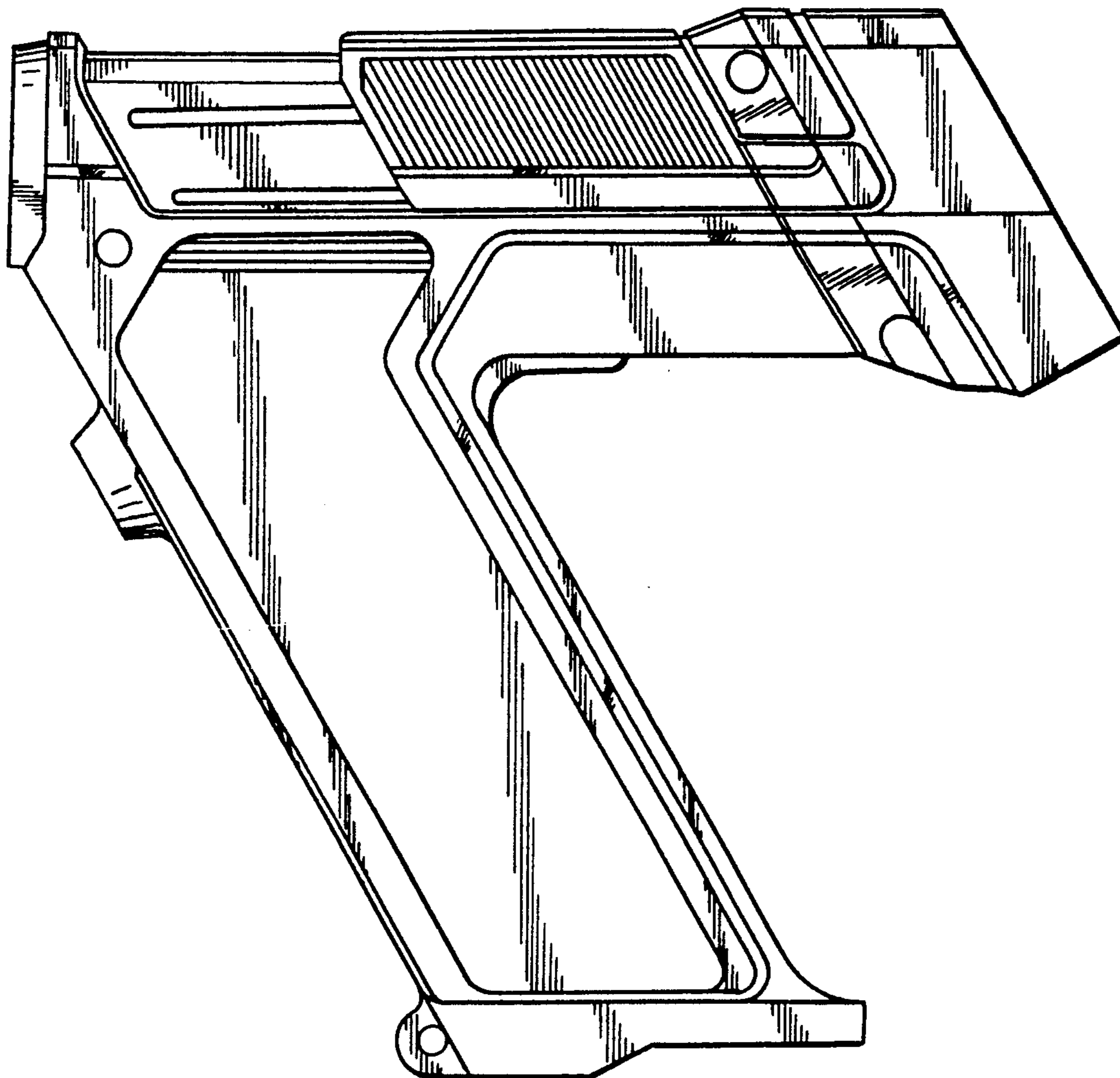
Primary Examiner—Bruce W. Dunkins
Assistant Examiner—Antoine D. Davis
Attorney, Agent, or Firm—Pretty, Schroeder,
Brueggemann & Clark

[57] CLAIM

The ornamental design for an infrared thermometer, as shown and described.

DESCRIPTION

FIG. 1 is a right side elevational view of an infrared thermometer showing my new design, the left side elevational view being a mirror image; FIG. 2 is a front elevational view; FIG. 3 is a rear elevational view; FIG. 4 is a top plan view; and FIG. 5 is a bottom plan view thereof.



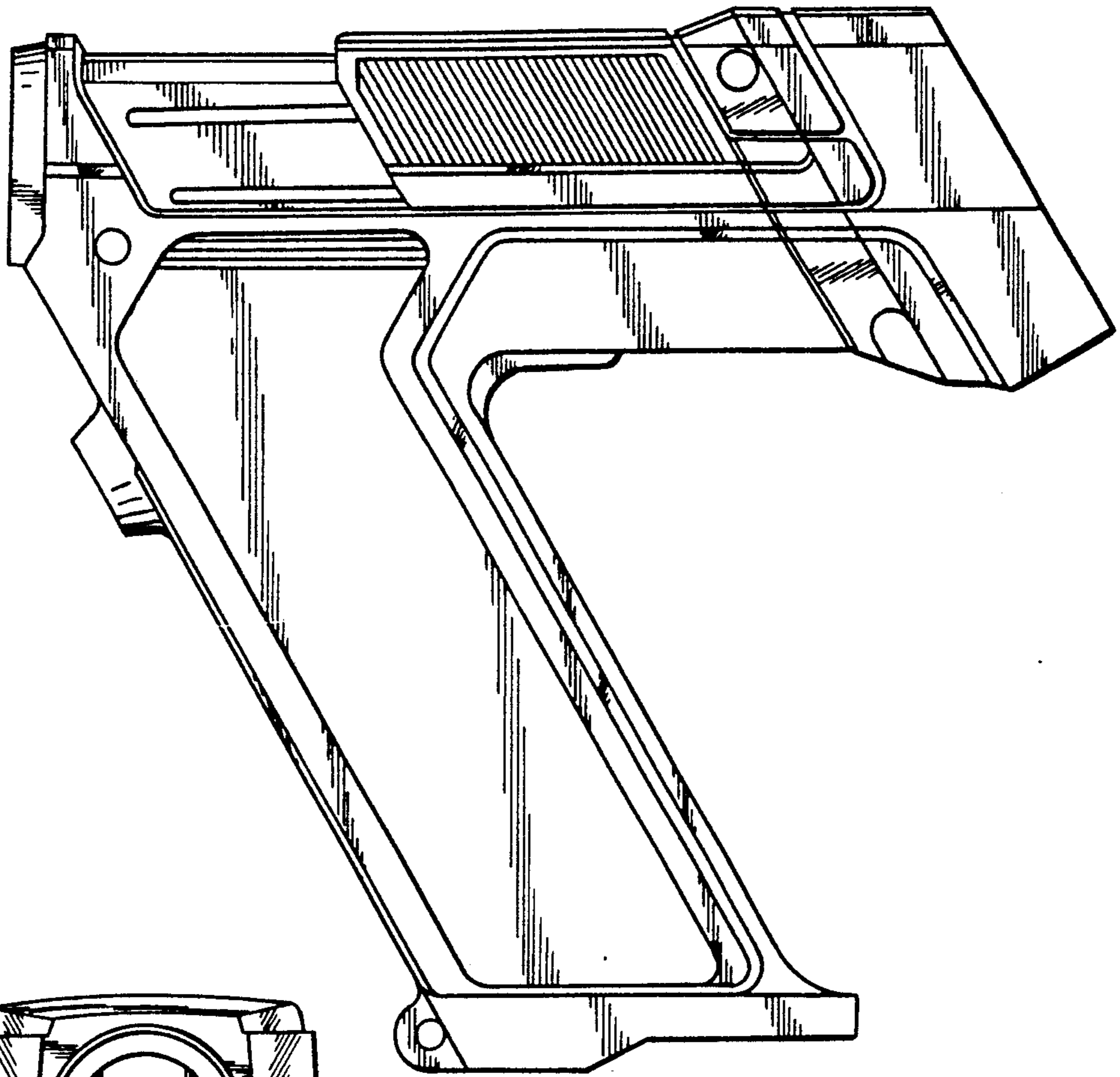


FIG. 1.

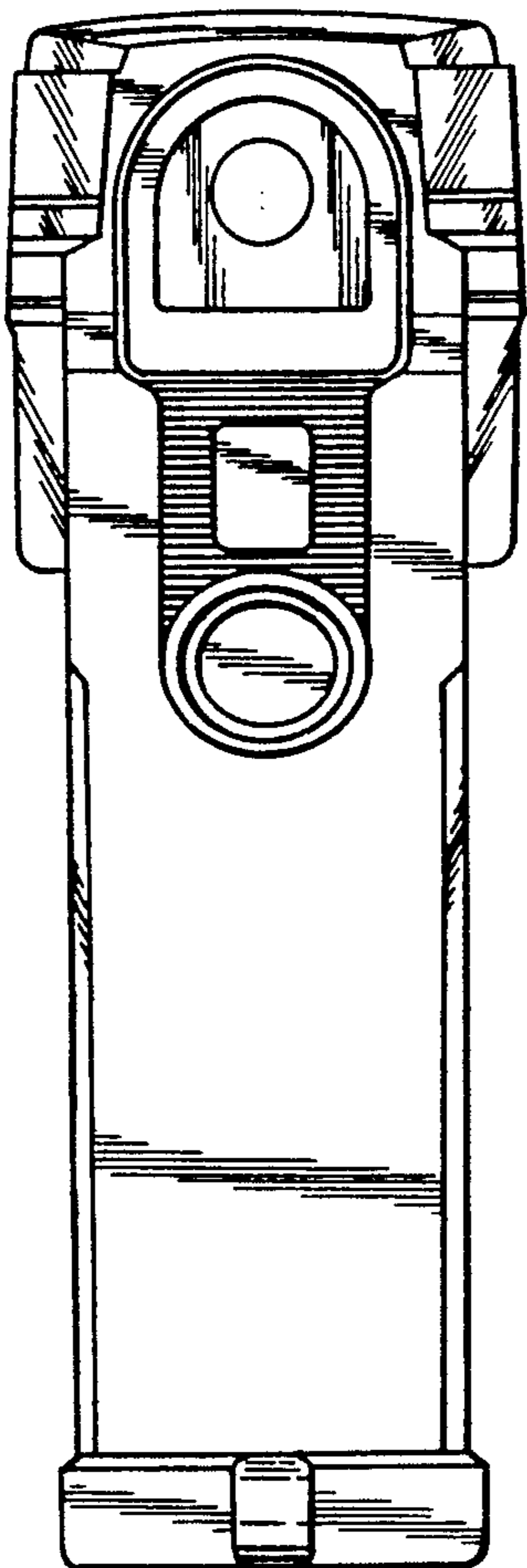


FIG. 2.

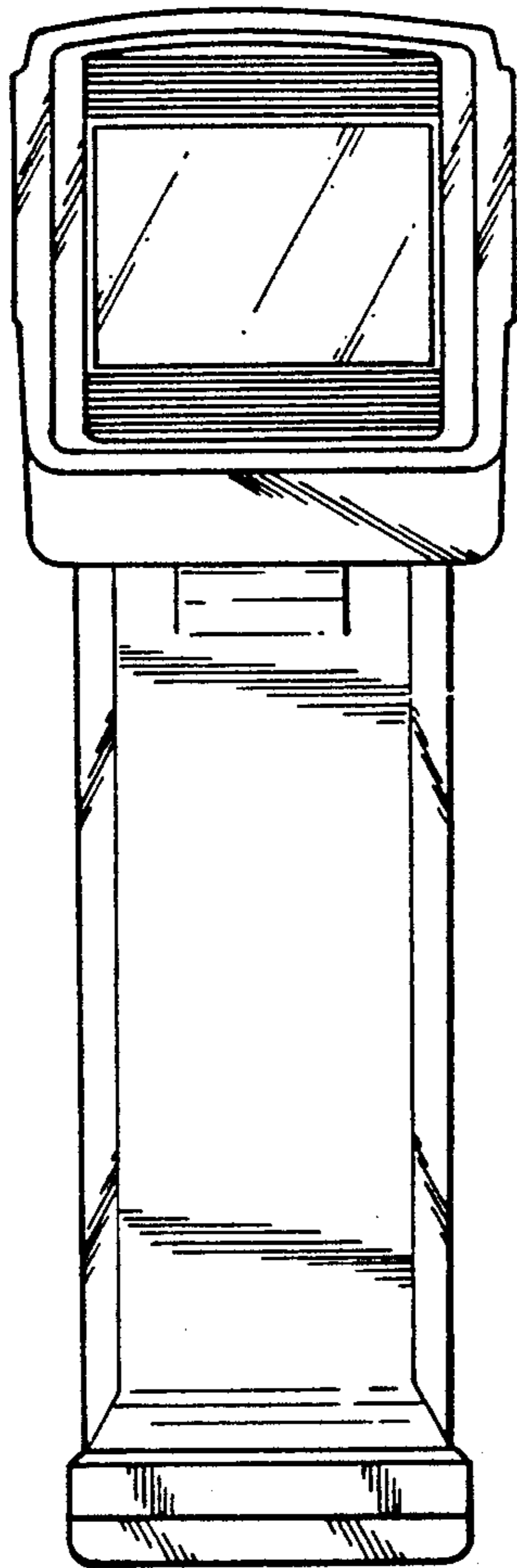


FIG. 3.

FIG. 4.

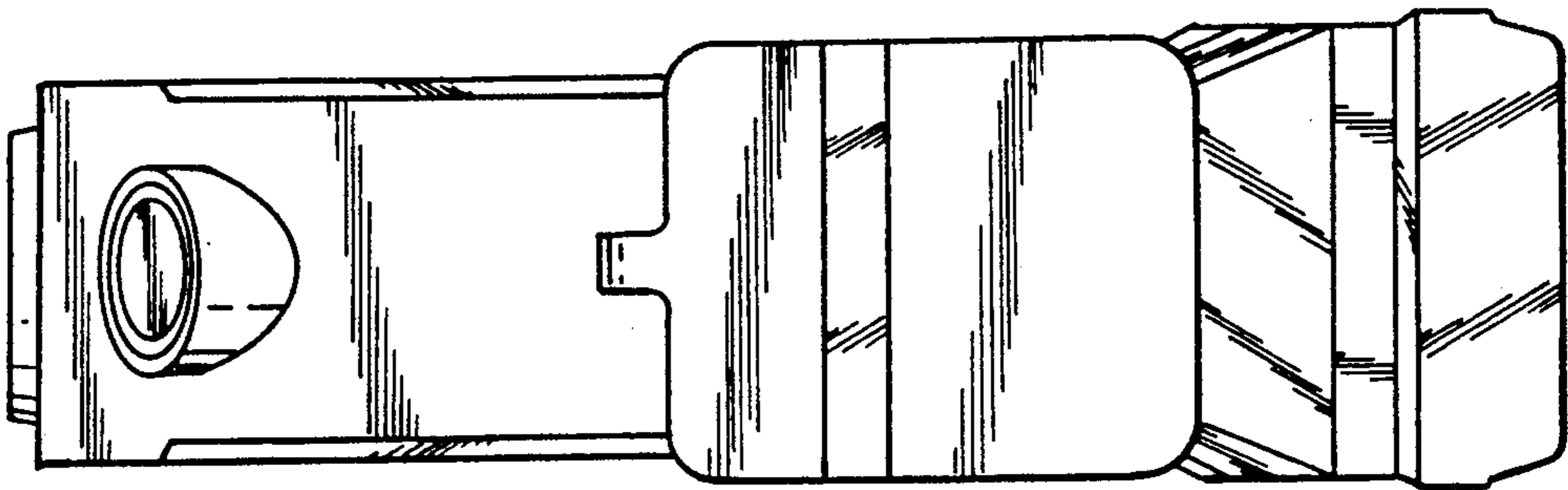
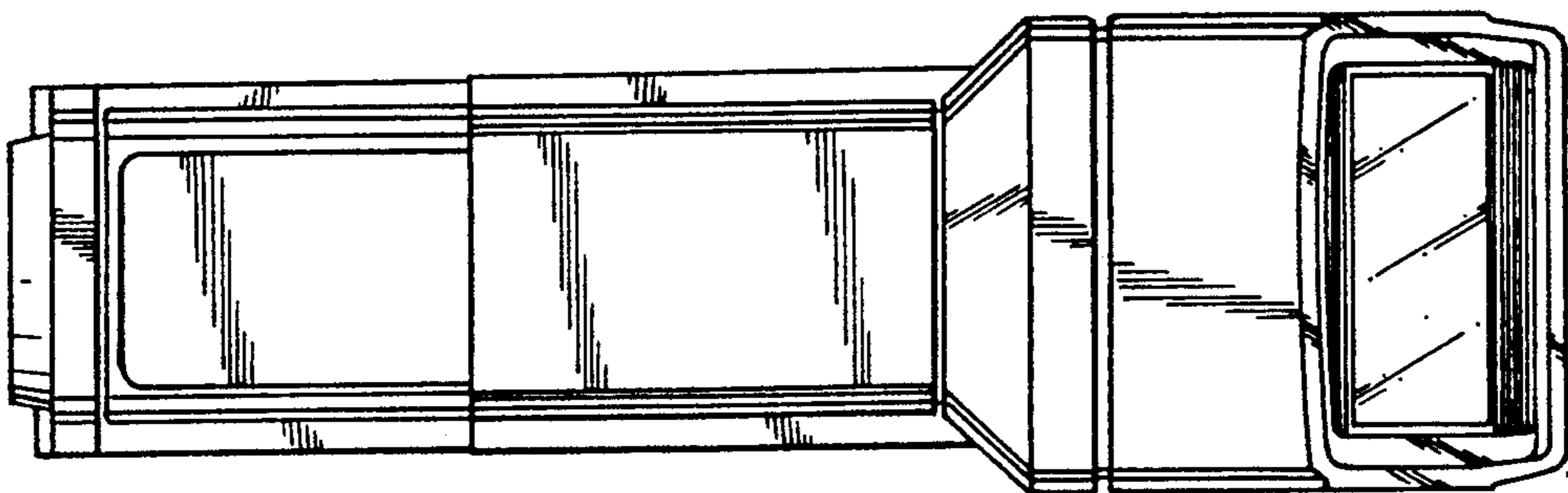


FIG. 5.