

[54] **CLOCK**

[75] **Inventor: Raymond Chan, Hong Kong, Hong Kong**

[73] **Assignee: Integrated Display Technology Ltd., Hong Kong, Hong Kong**

[**] **Term: 14 Years**

[21] **Appl. No.: 340,394**

[22] **Filed: Apr. 19, 1989**

[52] **U.S. Cl. D10/10; D10/15**

[58] **Field of Search D10/1-40, D10/122-132; 368/21-24, 82-84, 239-242, 285**

[56] **References Cited**

U.S. PATENT DOCUMENTS

D. 229,437 11/1973 Miyamoto D10/10
D. 308,638 6/1990 Hongo D10/10
D. 312,788 12/1990 Hirota D10/10

FOREIGN PATENT DOCUMENTS

0048108 8/1981 Japan 368/23

OTHER PUBLICATIONS

Jeweler's Circular-Keystone-8/72-p. 212-Clock at bottom-right.

*Primary Examiner—Nelson C. Holtje
Attorney, Agent, or Firm—Donald Brown; Peter F. Corless*

[57] **CLAIM**

The ornamental design for a clock, as shown and described.

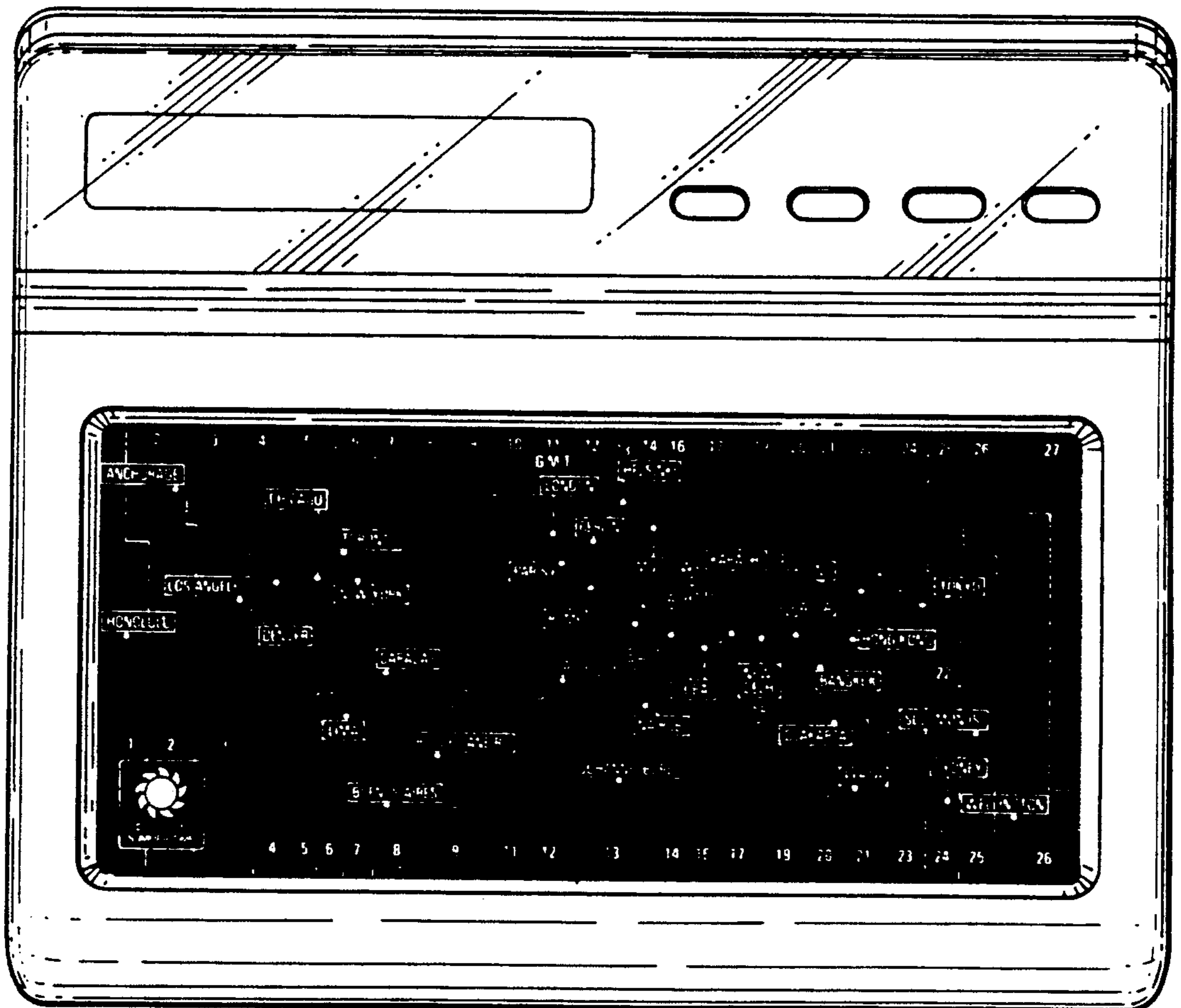
DESCRIPTION

FIG. 1 is a top plan view of a clock showing my new design;

FIG. 2 is a right side elevational view thereof the left side view being a mirror image;

FIG. 3 is a bottom plan view thereof.

The rear side is substantially plain and unornamented.



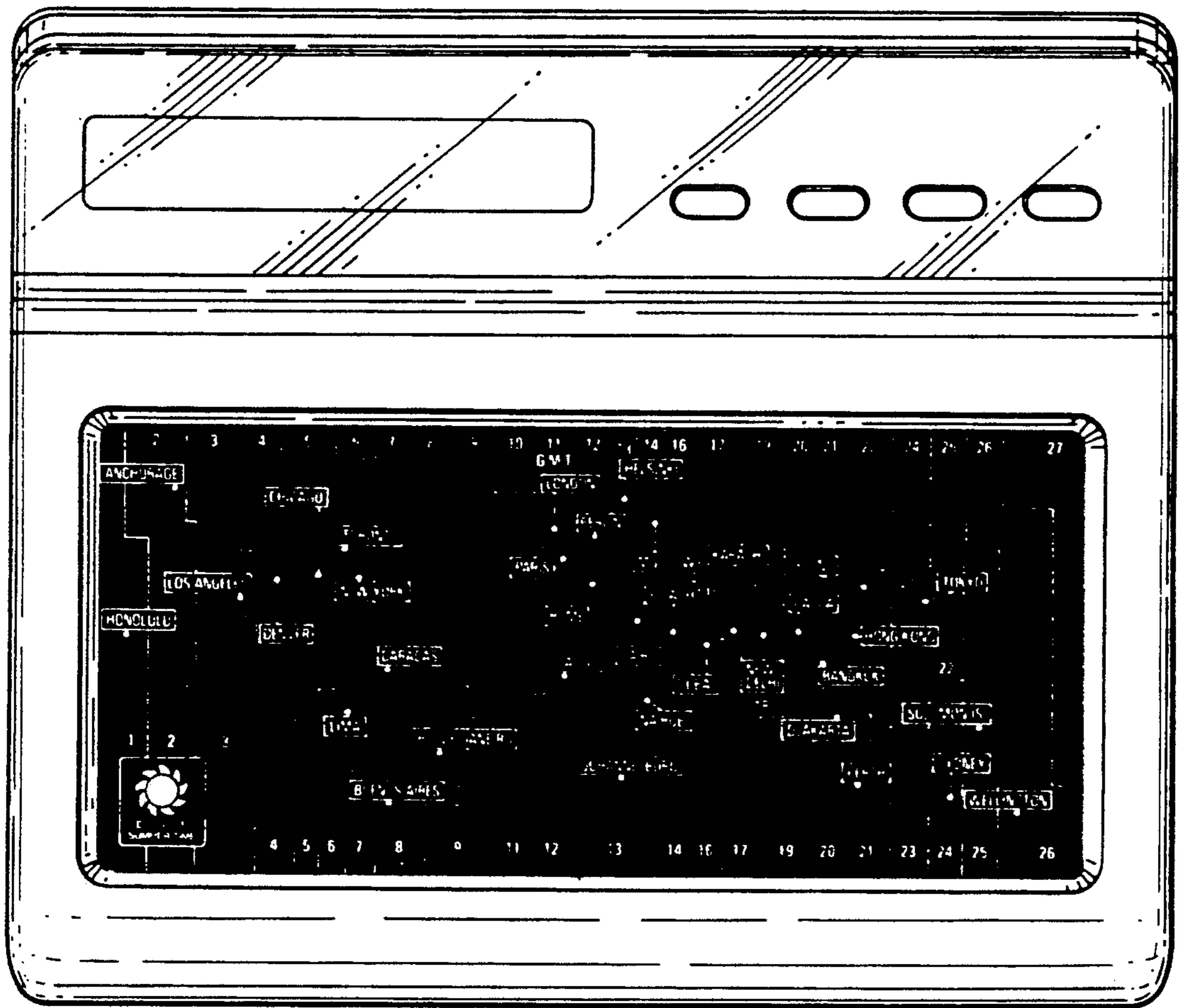


FIG. 1

FIG. 2

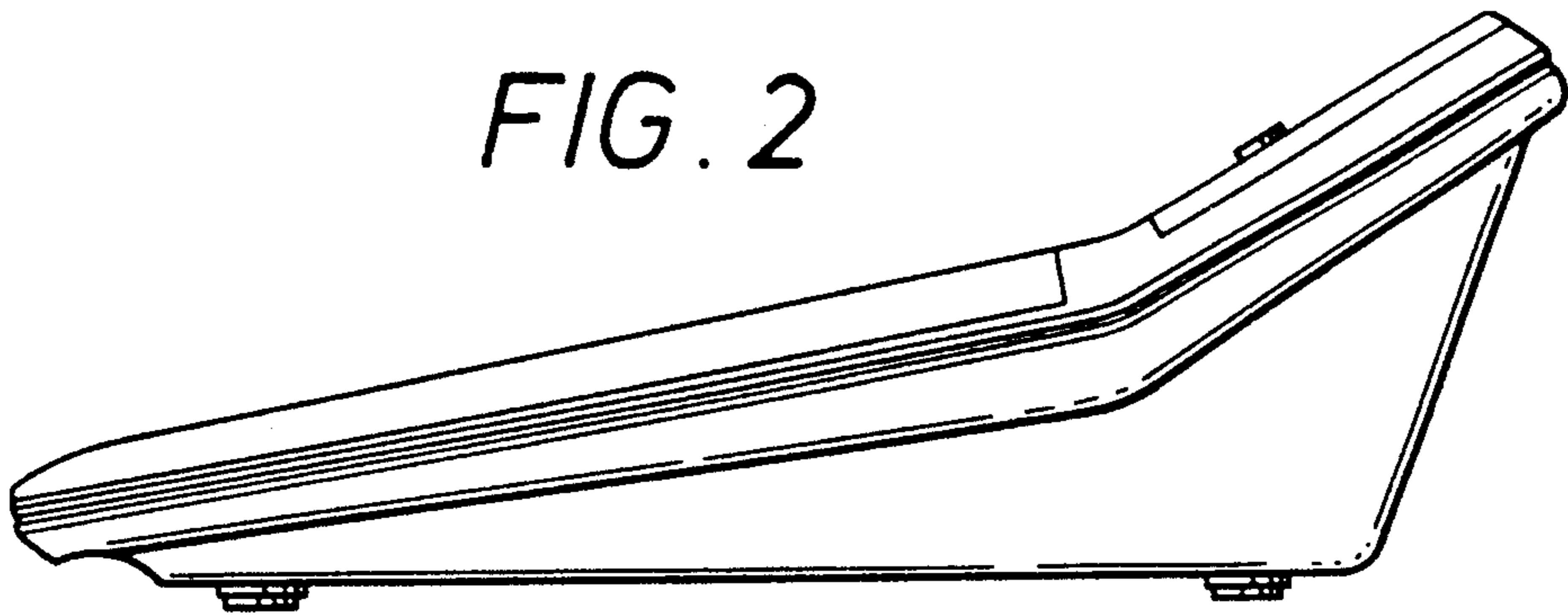


FIG. 3

