

[54] DISPENSER FOR DETERGENT OR THE LIKE

[75] Inventor: Garcia-Tornel Alcover, Barcelona, Spain

[73] Assignee: Henkel Iberica, S.A., Barcelona, Spain

[\*\*] Term: 14 Years

[21] Appl. No.: 214,107

[22] Filed: Jun. 30, 1988

[30] Foreign Application Priority Data

Dec. 30, 1987 [ES] Spain ..... 114807

[52] U.S. Cl. .... D9/349; D9/366; D9/370; D23/366

[58] Field of Search ..... D9/366, 337, 339, 349-355, D9/359, 365, 367, 370, 377, 385, 390, 434, 435, 436, 447, 449, 450, 454; D23/366, 369, 208; D7/591, 596; 222/54, 52, 478, 142.1, 485, 457.5, 463; 215/1 R, 1 C

[56] References Cited

U.S. PATENT DOCUMENTS

D. 74,335	1/1928	Wilford	.....	D9/349
D. 212,589	11/1968	Roberts	.....	D9/352
1,982,814	12/1934	Bissell	.....	D9/352 X
3,123,303	3/1964	Dearling	.....	D6/542
4,703,872	11/1987	Cornetle	.....	222/478
4,875,600	10/1989	D'Hoogue et al.	.....	222/52

OTHER PUBLICATIONS

Food Processing & Marketing, Sep. 1965, p. 363, top photo, No. 4, jar at top right.

Primary Examiner—Bernard Ansher

Assistant Examiner—Lucy Lieberman

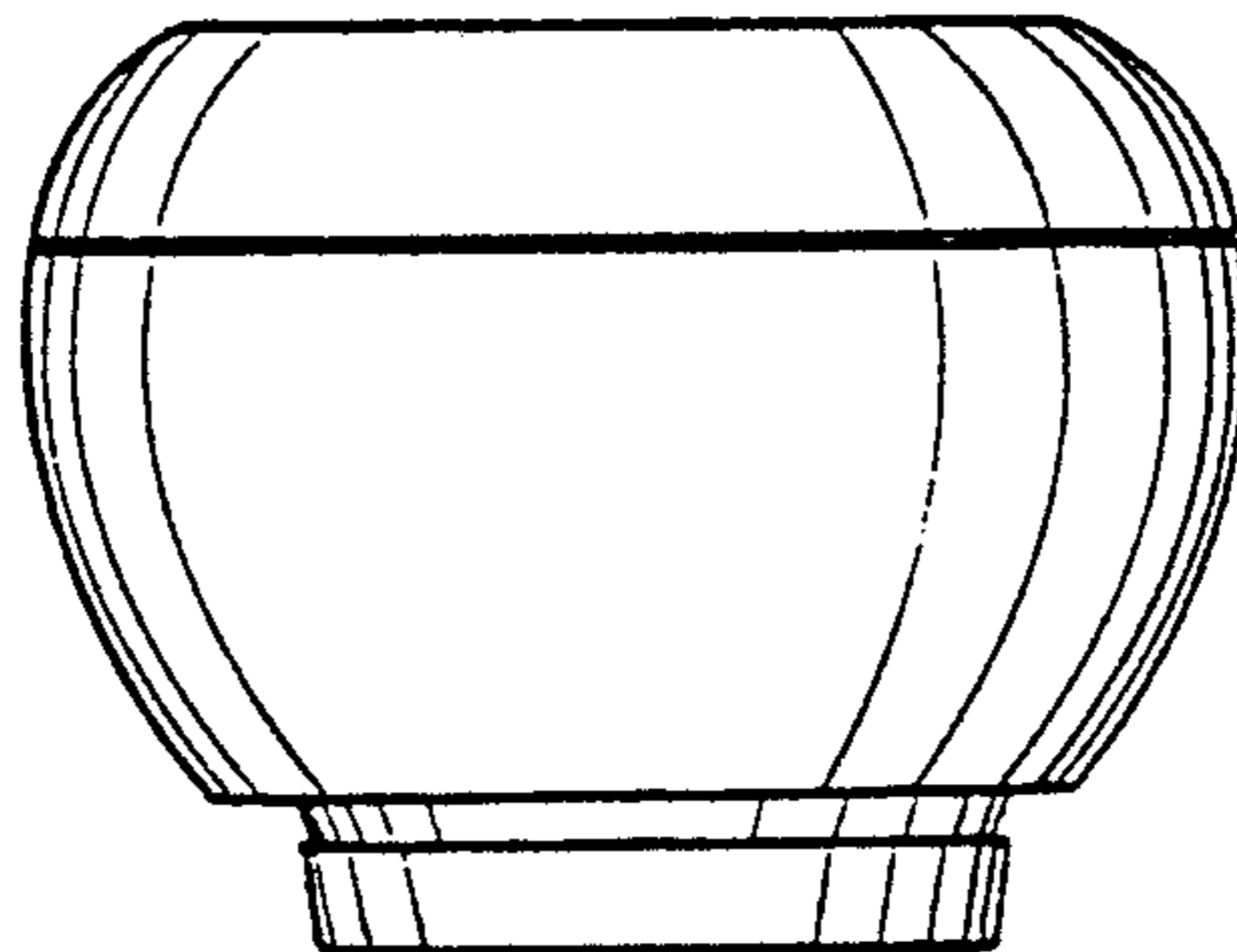
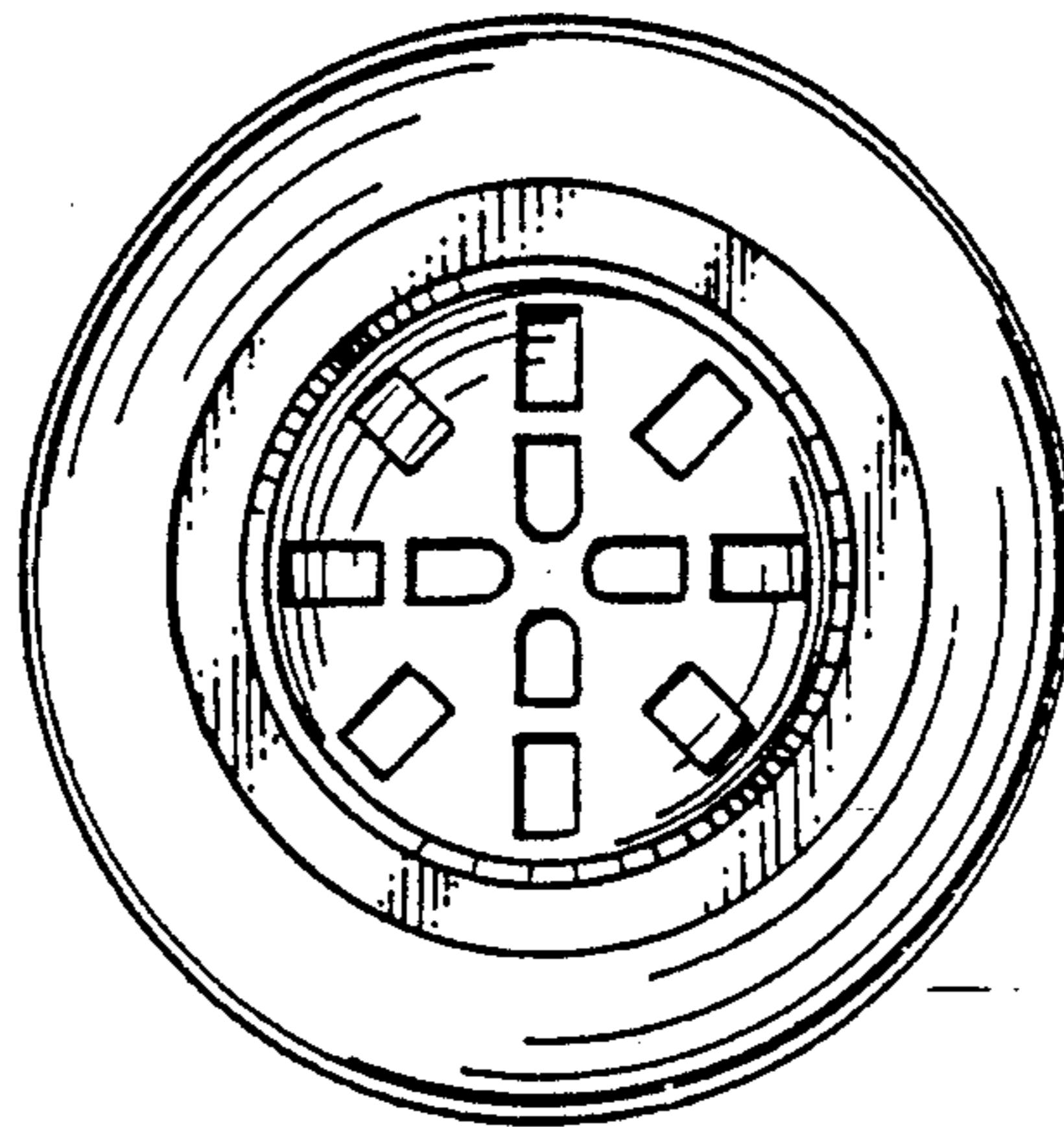
Attorney, Agent, or Firm—Flynn, Thiel, Boutell & Tanis

[57] CLAIM

The ornamental design for a dispenser for detergent or the like, as shown and described.

DESCRIPTION

FIG. 1 is a front elevational view of a dispenser for detergent or the like showing my new design; FIG. 2 is a left side elevational view thereof; FIG. 3 is a right side elevational view thereof; FIG. 4 is a rear elevational view thereof; FIG. 5 is a top view thereof; and FIG. 6 is a bottom view thereof.



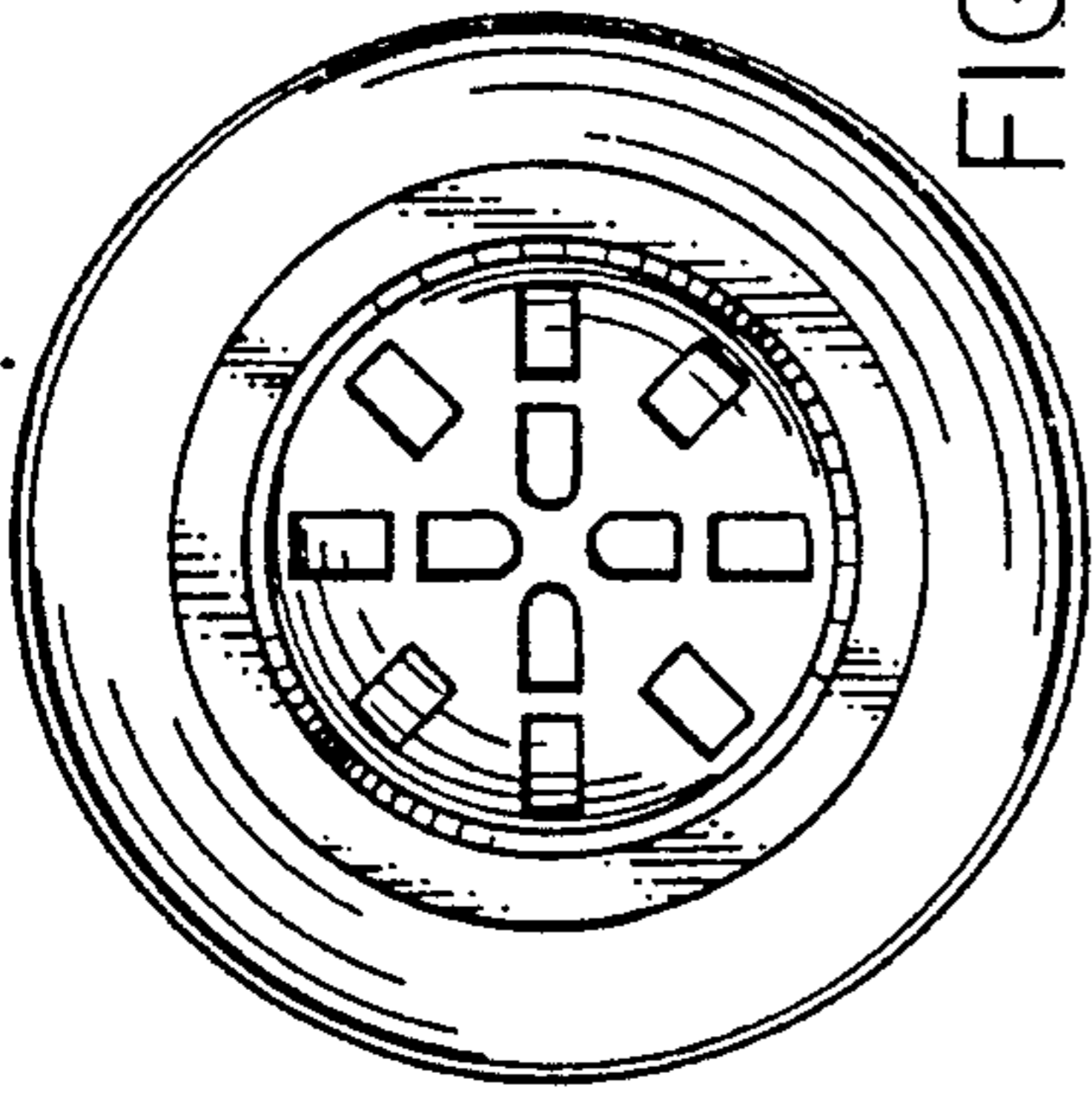


FIG. 6

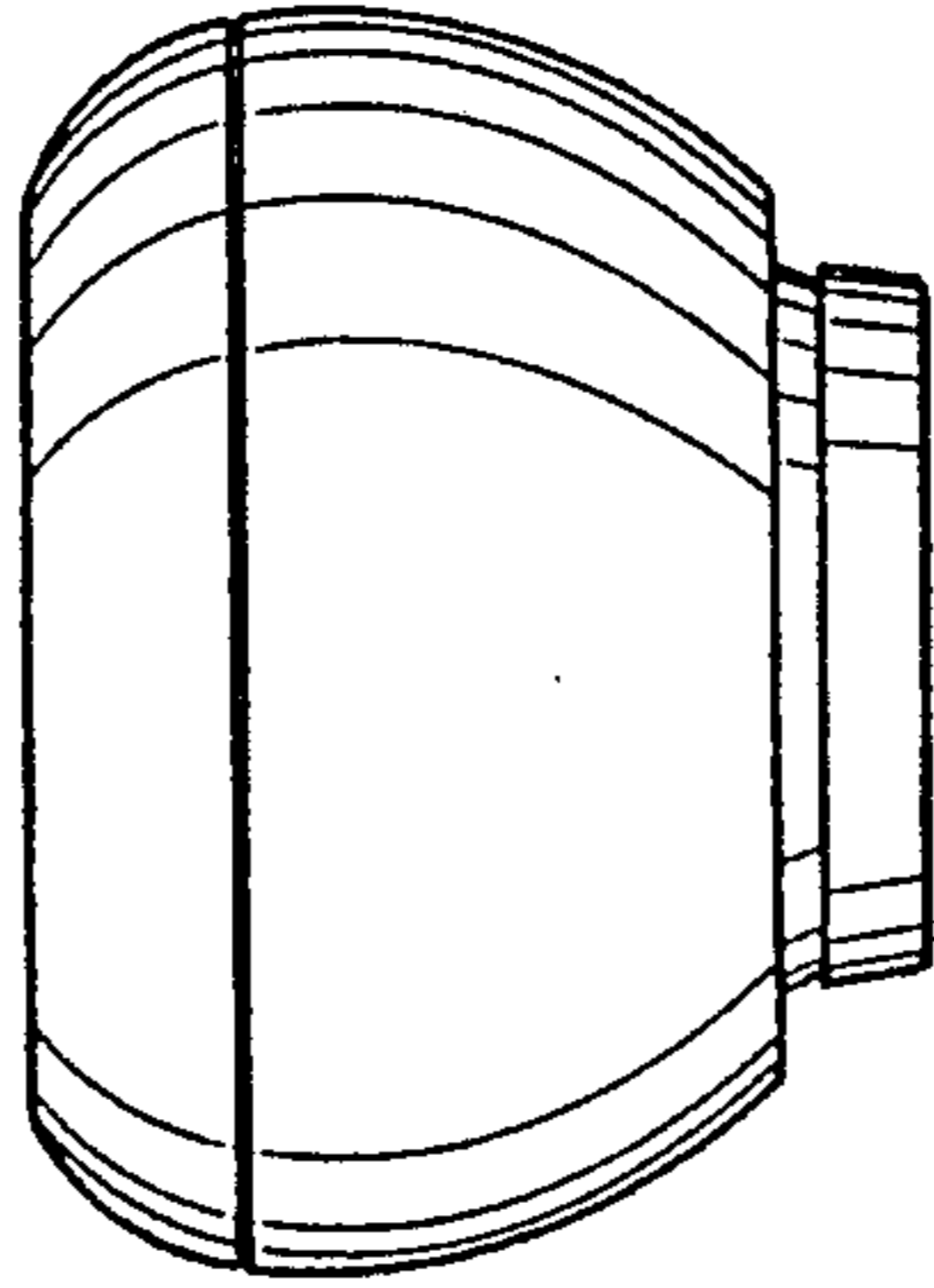


FIG. 2

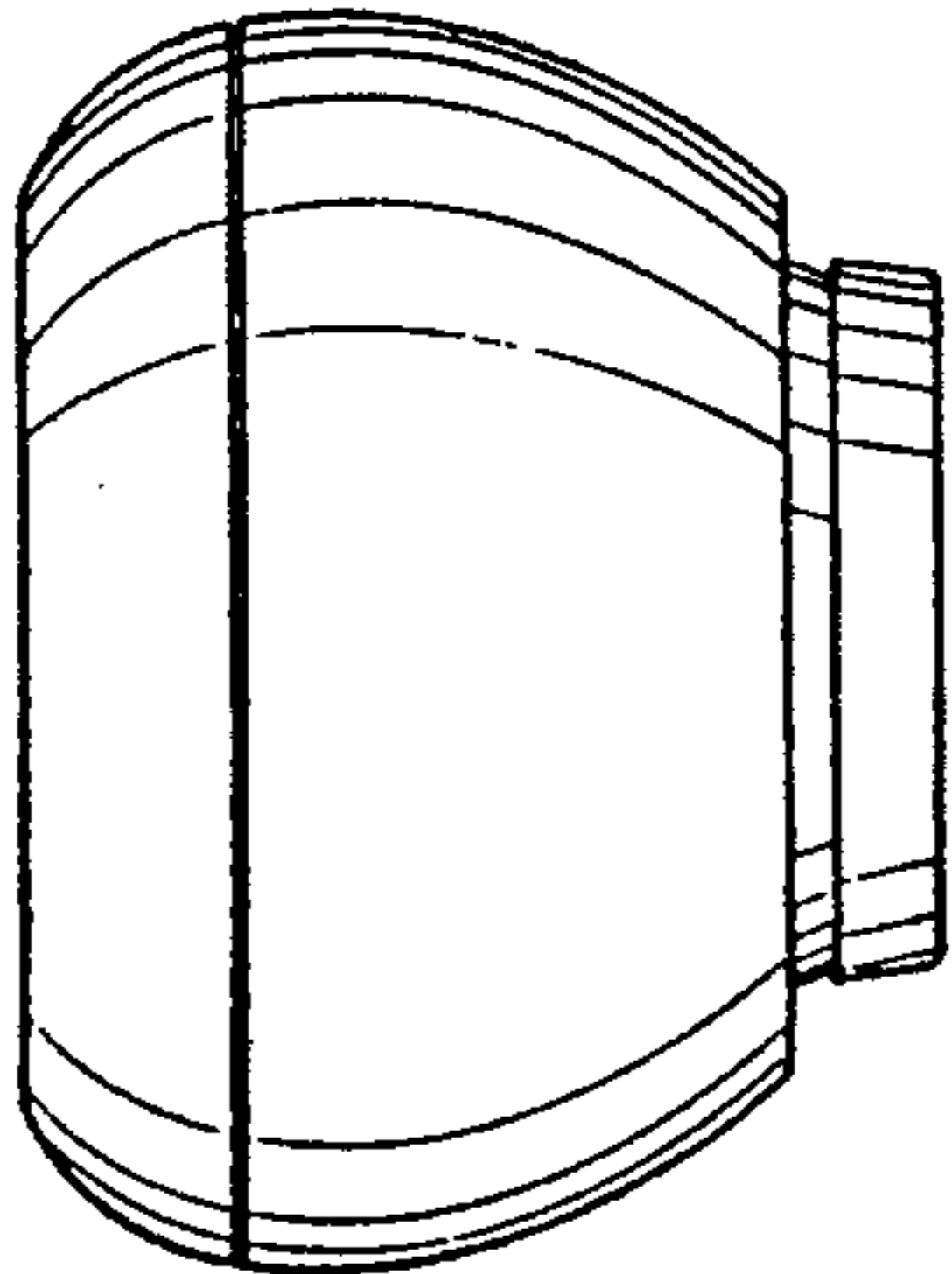


FIG. 1

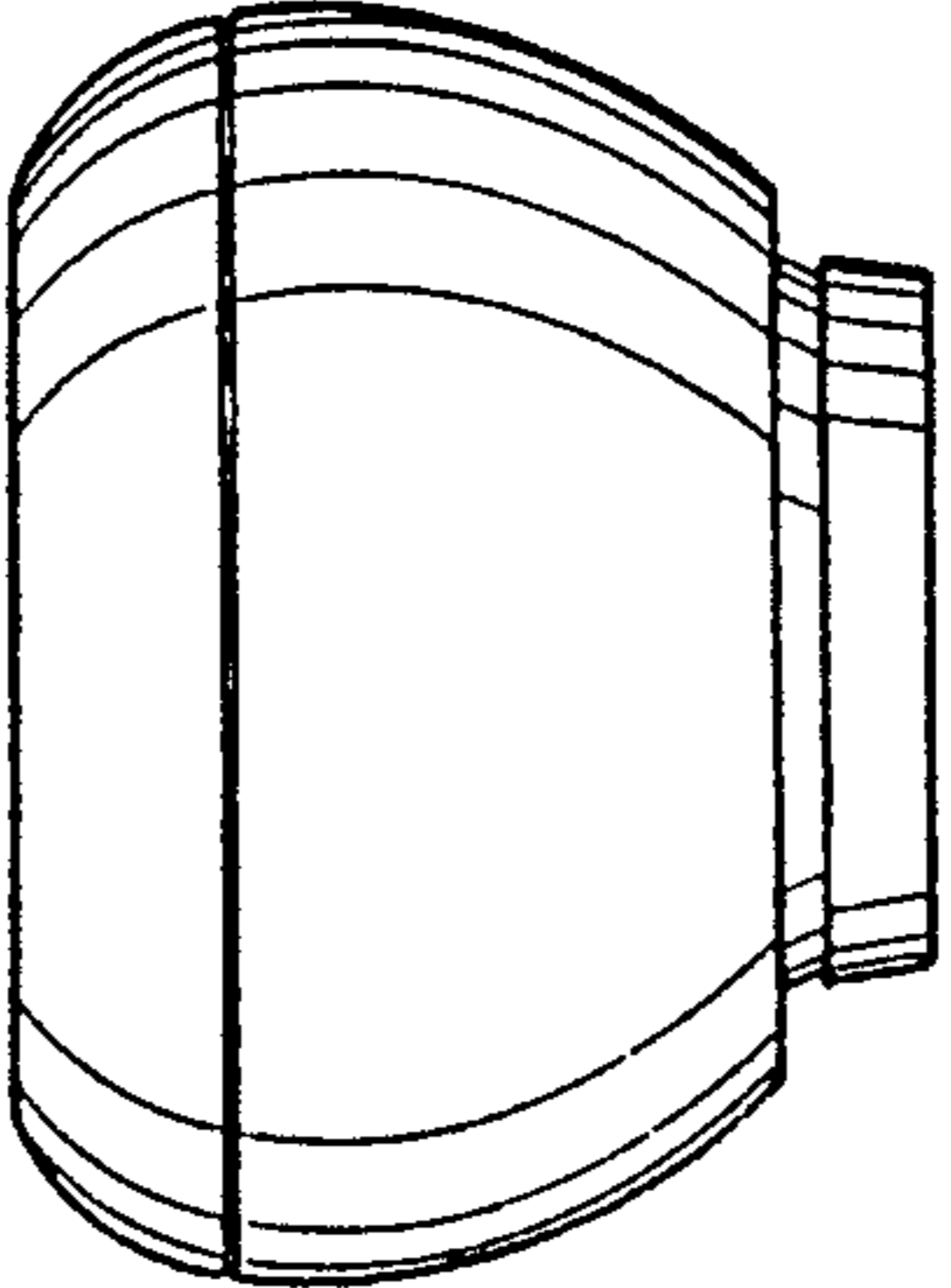


FIG. 3

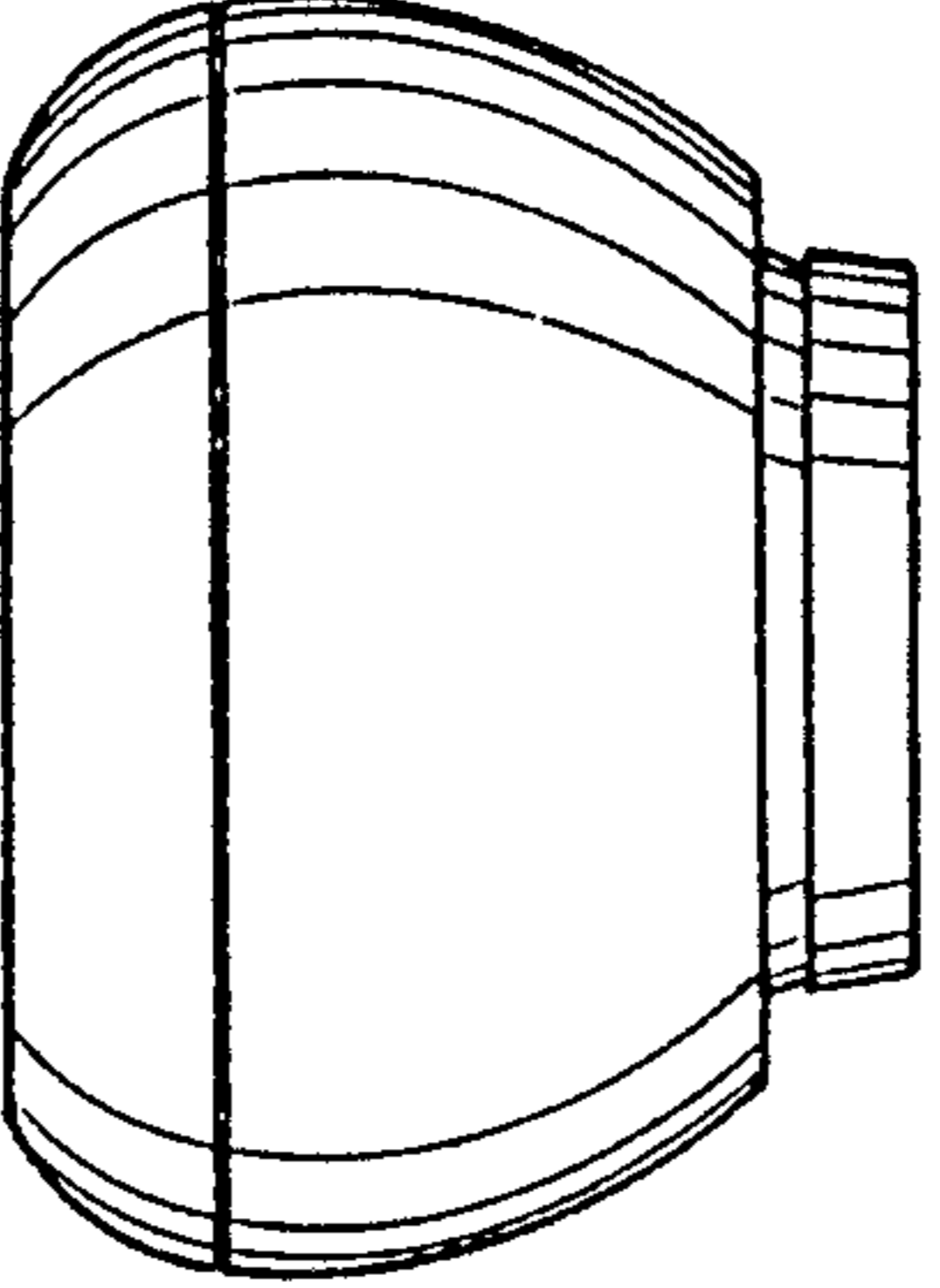


FIG. 4

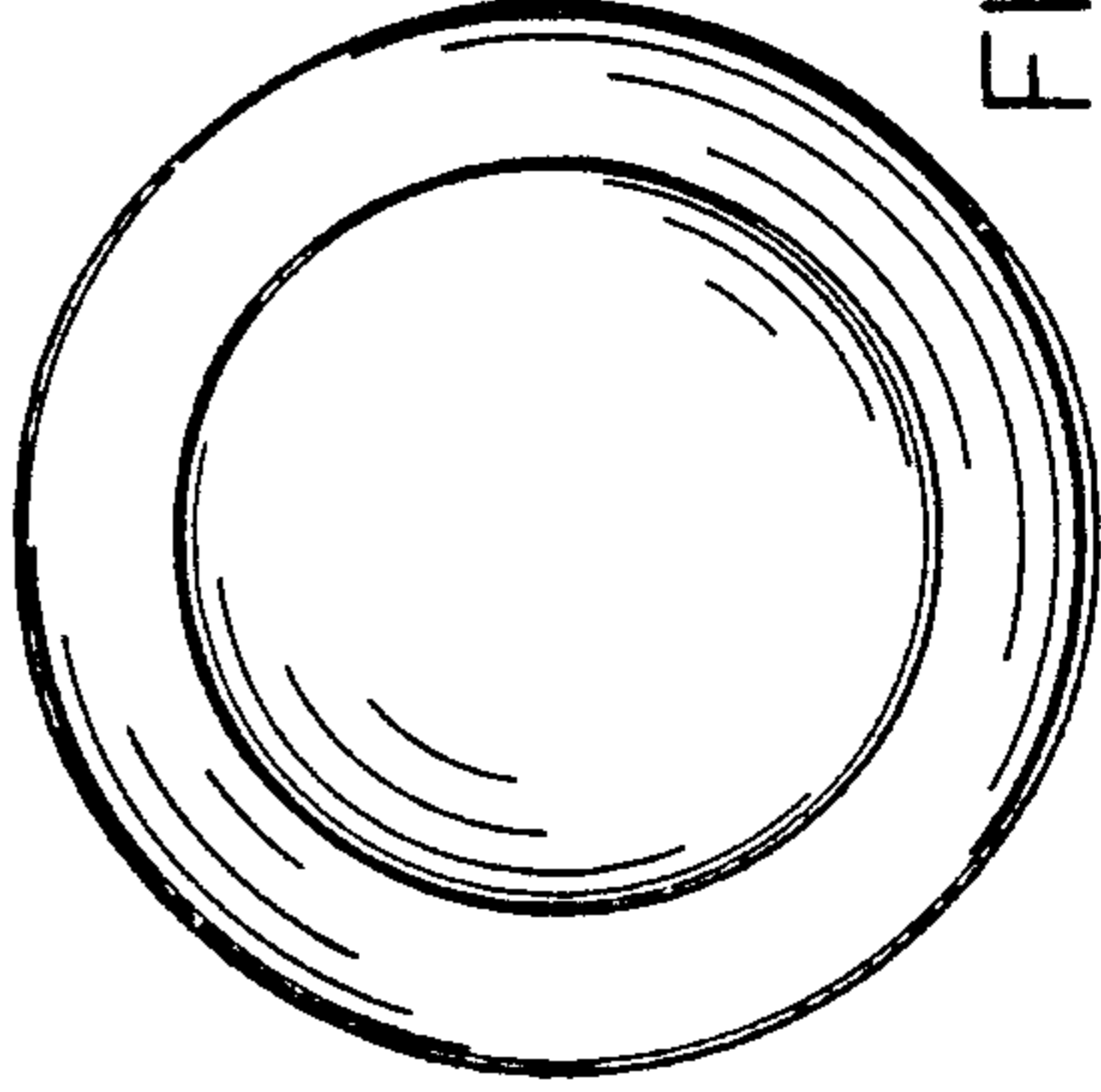


FIG. 5