

[54] ESCUTCHEON

[75] Inventor: Mary J. Reid, Sheboygan, Wis.

[73] Assignee: Kohler Co., Kohler, Wis.

[**] Term: 14 Years

[21] Appl. No.: 271,192

[22] Filed: Nov. 14, 1988

[52] U.S. Cl. D8/352; D23/249

[58] Field of Search D23/238-243,
D23/249-254; D8/300, 308-312, 352, 353;
137/801; 292/357

Delta Faucet Company Catalog, ©1976, p. 14.
Pages 23 and 32 from a 1988 Kohler Co., brochure
entitled, "Faucets".

Page 11 of a 1988 American Standard brochure entitled,
"Pure Luxury-New For ' (Admitted Prior Art)88".

Page 2 from a 1986, FIR Spa Rubinetterie ad showing
the 4114/25, shower escutcheon assembly.

Primary Examiner—James R. Largen
Attorney, Agent, or Firm—Quarles & Brady

[57] CLAIM

The ornamental design for an escutcheon, as shown and
described.

DESCRIPTION

FIG. 1 is a bottom, left, front perspective view of an
escutcheon showing my new design;

FIG. 2 is a front elevational view thereof;

FIG. 3 is a top plan view thereof;

FIG. 4 is a bottom plan view thereof;

FIG. 5 is a left side elevational view thereof;

FIG. 6 is a right side elevational view thereof;

FIG. 7 is a cross sectional view taken on line 7—7 of
FIG. 2; and

FIG. 8 is a front elevational view of a second embodi-
ment thereof.

The broken line representation of holes in FIG. 8 is for
purposes of illustration only and forms no part of the
claimed design.

[56] References Cited

U.S. PATENT DOCUMENTS

D. 194,229	12/1962	Landell et al.	D23/254
D. 203,795	2/1966	Harvey et al.	D23/254
D. 237,275	10/1975	Landell	D23/252
D. 241,440	9/1976	Doman .	
D. 263,989	4/1982	Fleischmann et al. .	
D. 284,687	7/1986	Doman et al.	D23/249
D. 285,107	8/1986	Ogilvie	D23/254
D. 300,238	3/1989	Kohler, Jr. et al.	D23/249
D. 303,566	9/1989	Kohler, Jr. et al.	D23/279
3,674,048	7/1972	Manoogian et al. .	

OTHER PUBLICATIONS

Domestic Engineering, Jun. 1986, p. 54.

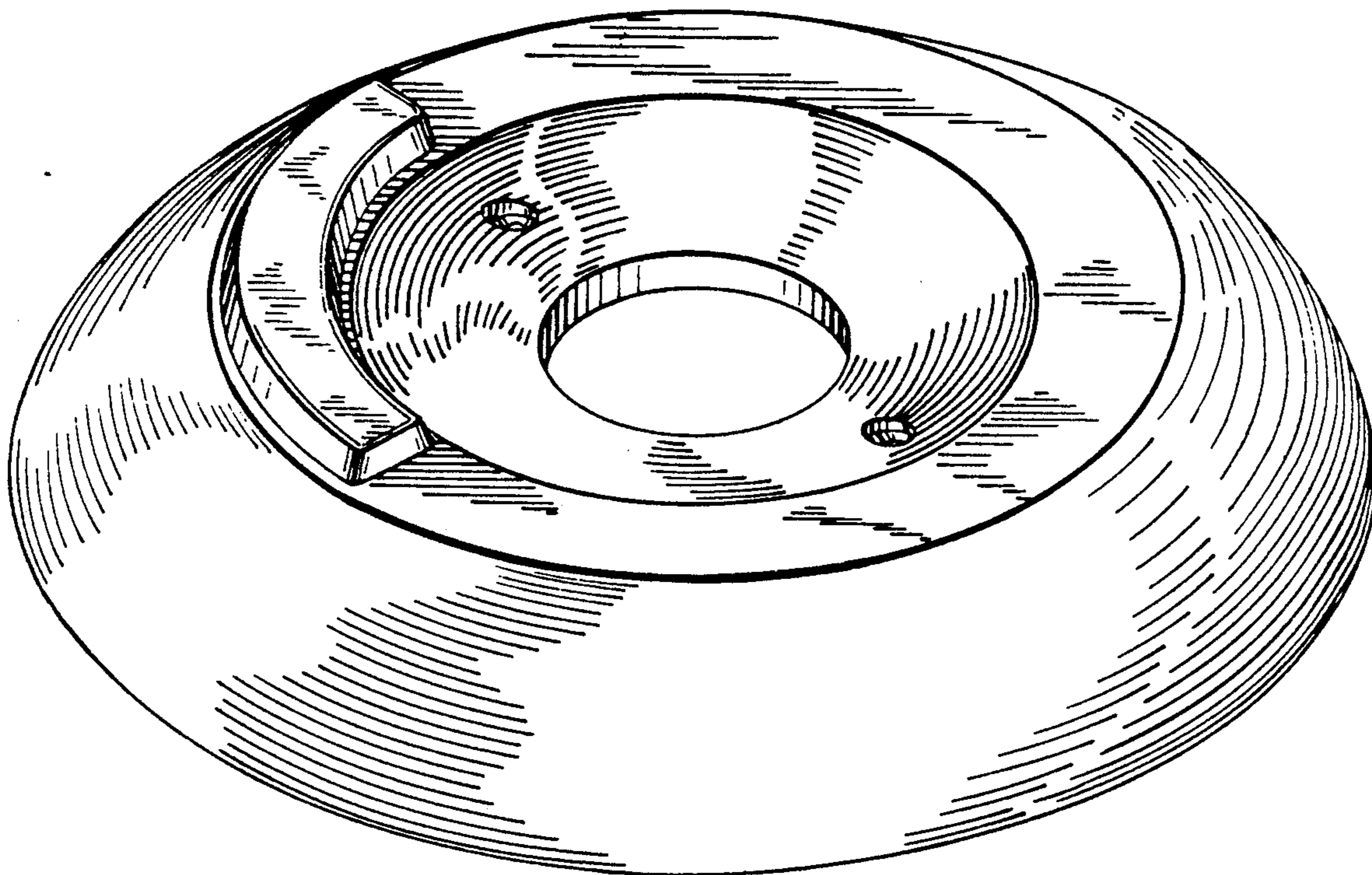


FIG. 1

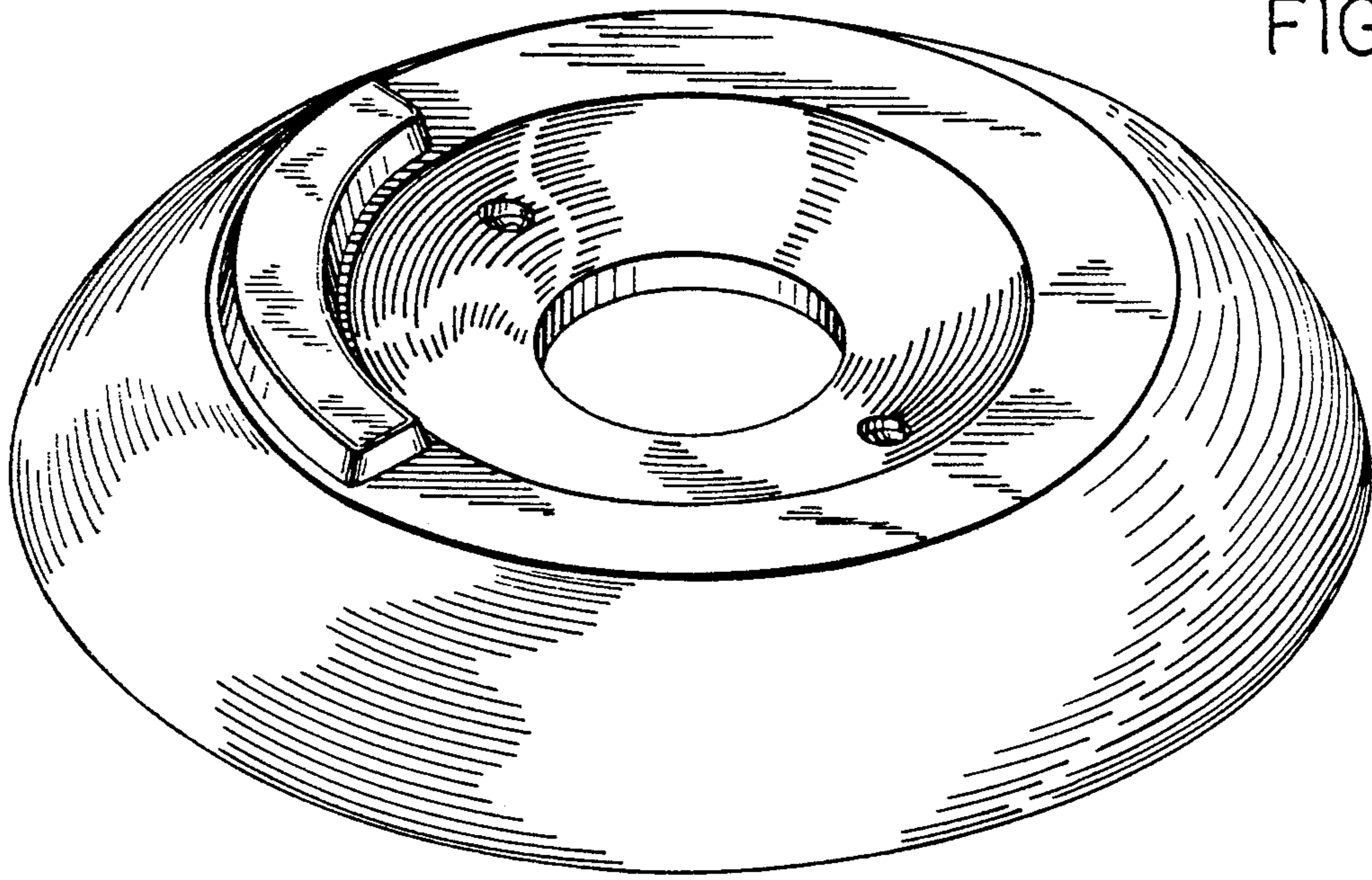
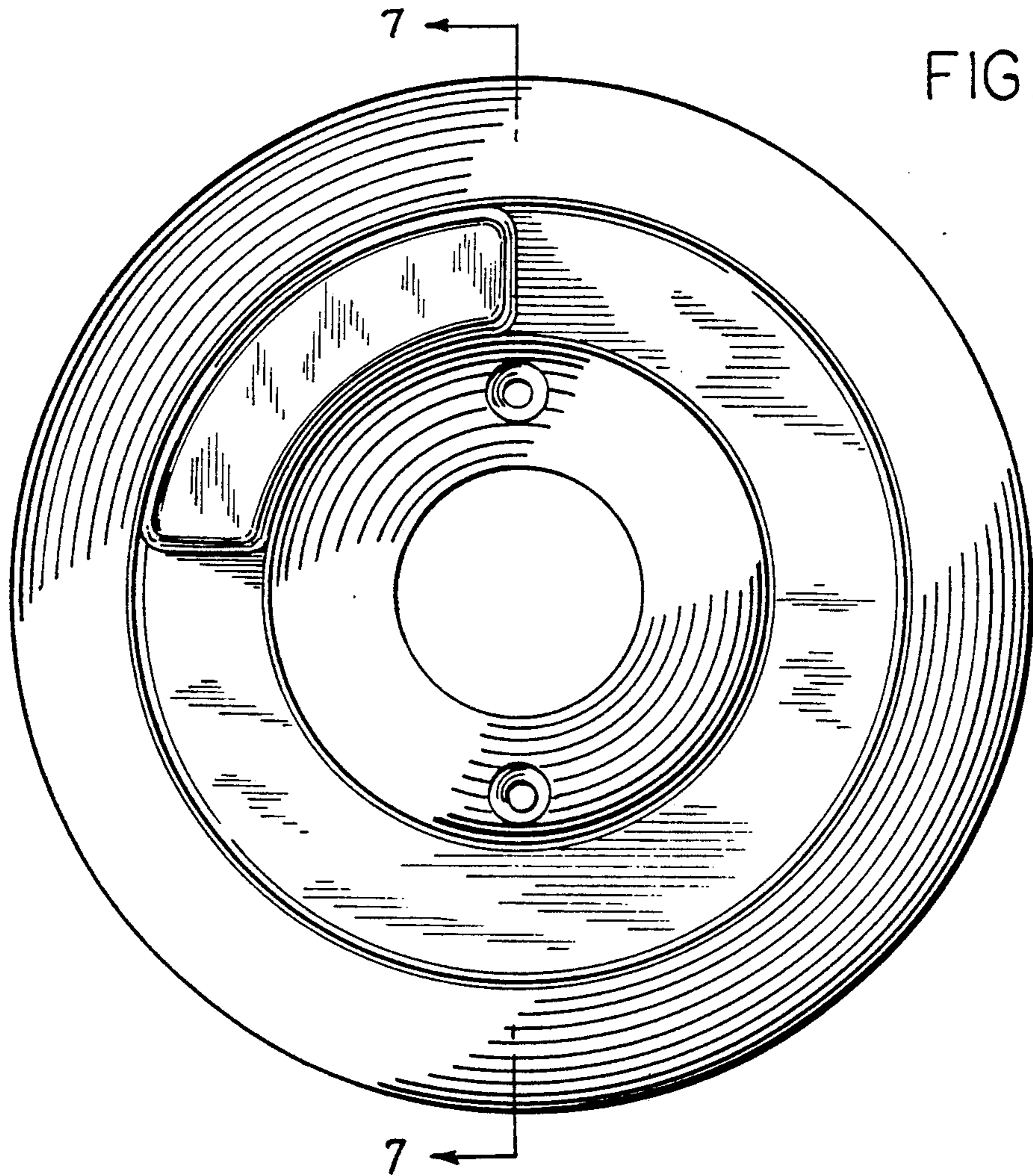


FIG. 2



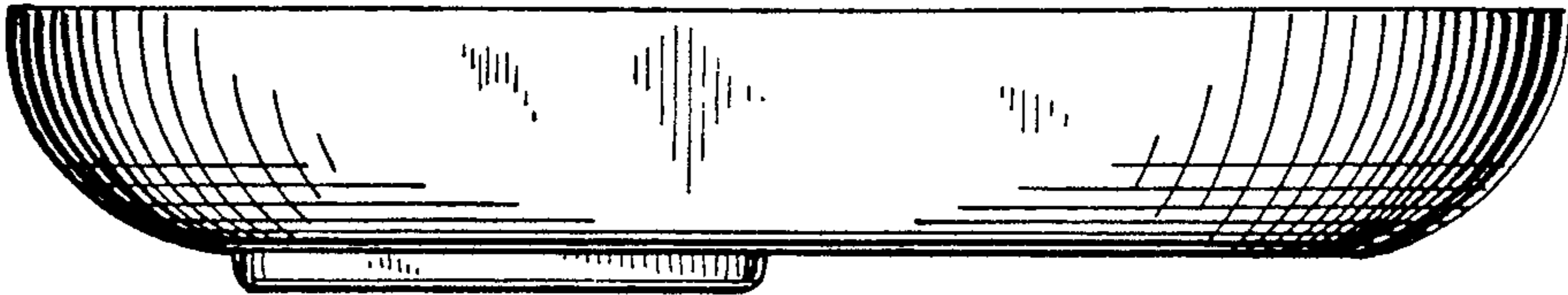


FIG. 3

FIG. 4

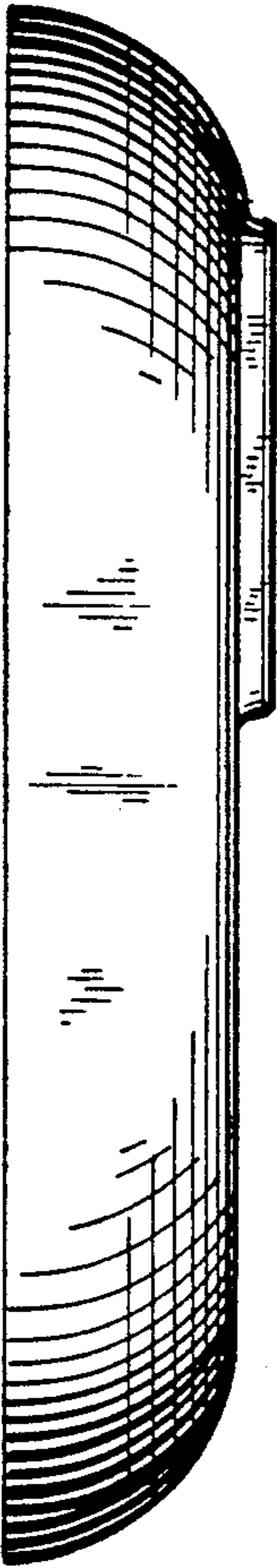
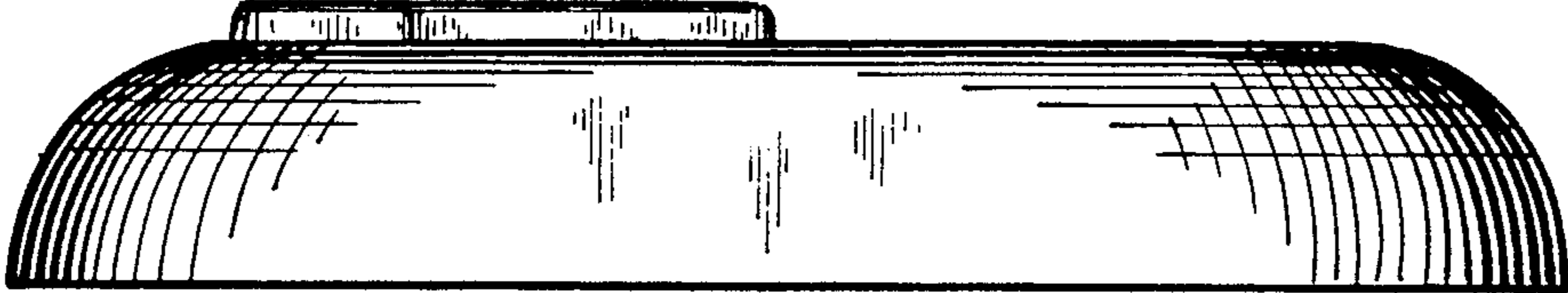


FIG. 5

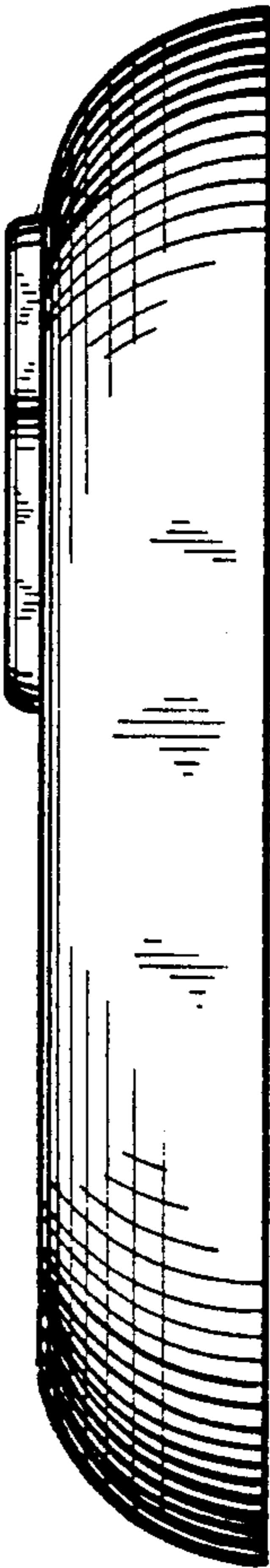


FIG. 6

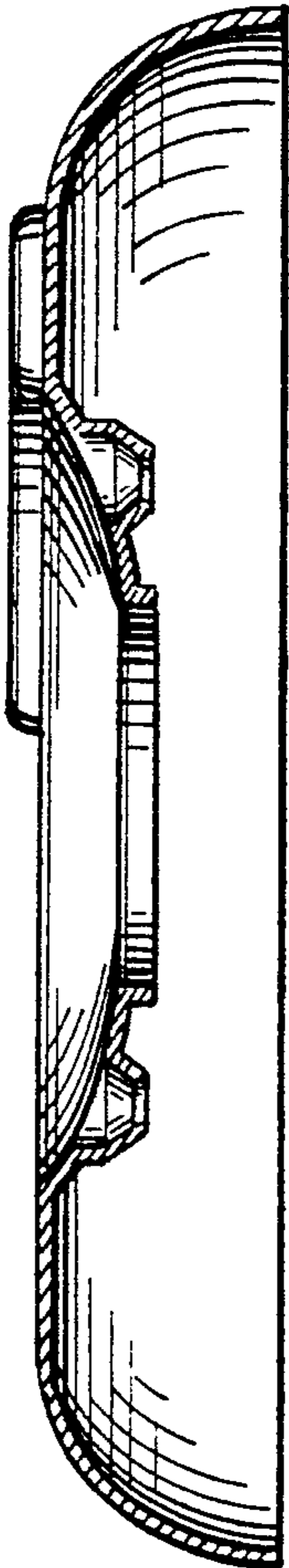


FIG. 7

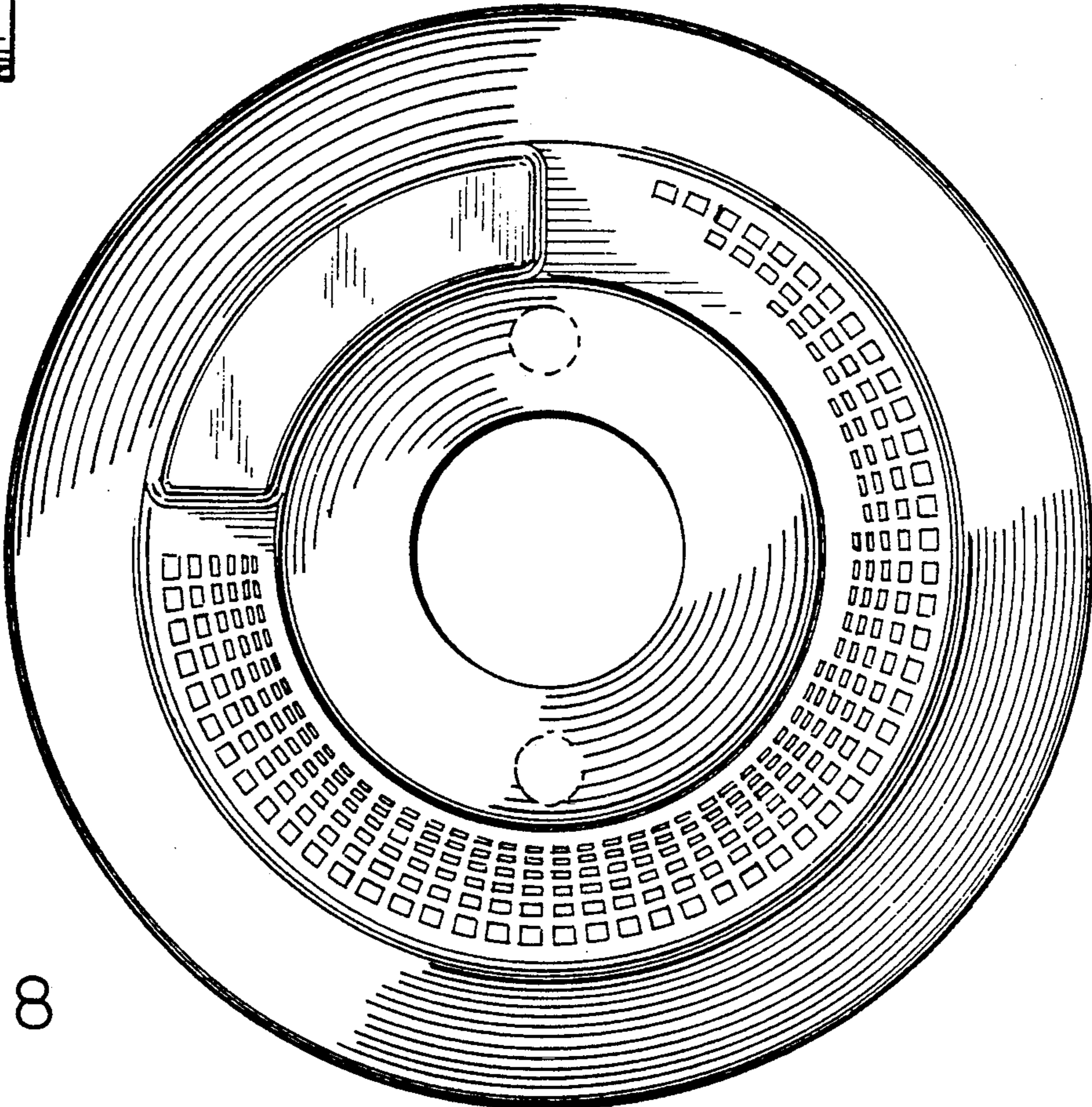


FIG. 8