

[54] CUTTING DEVICE FOR MASKING FILM

[75] Inventors: Kunio Morozumi, Yamanashi; Takamichi Taguchi, Yono, both of Japan

[73] Assignee: Kimoto & Co., Ltd., Japan

[**] Term: 14 Years

[21] Appl. No.: 292,747

[22] Filed: Jan. 3, 1989

[30] Foreign Application Priority Data

Jul. 11, 1988 [JP] Japan 63-27587

[52] U.S. Cl. D8/98; 30/164.9

[58] Field of Search D8/98, 14; D10/161; 30/164.9, 123, 296.1, 293, 335; 33/23.04, 310, 23.04, 27.04, 27.01

[56] References Cited

U.S. PATENT DOCUMENTS

- D. 248,365 7/1978 Mueller D8/98
- 2,810,960 10/1957 Johnson et al. 33/18.1 X
- 2,902,760 9/1959 Koenig 30/164.9

- 3,994,194 11/1976 Mocerri 30/310 X
- 4,858,322 8/1989 Kluga 30/164.9 X
- 4,974,324 12/1990 Ohkubo 30/164.9 X

Primary Examiner—Bruce W. Dunkins
Assistant Examiner—Monica A. Hannon
Attorney, Agent, or Firm—Lorusso & Loud

[57] CLAIM

The ornamental design for a cutting device for masking film, as shown.

DESCRIPTION

FIG. 1 is a front perspective view of a cutting device for masking film showing my new design; FIG. 2 is a front elevational view; FIG. 3 is a right side elevational view; FIG. 4 is a rear elevational view; FIG. 5 is a left side elevational view; FIG. 6 is a top plan view; FIG. 7 is a bottom plan view; and FIG. 8 is a cross-sectional view taken along the central vertical line of FIG. 2.

The "cutting device for masking film" appears as is shown in the drawings.

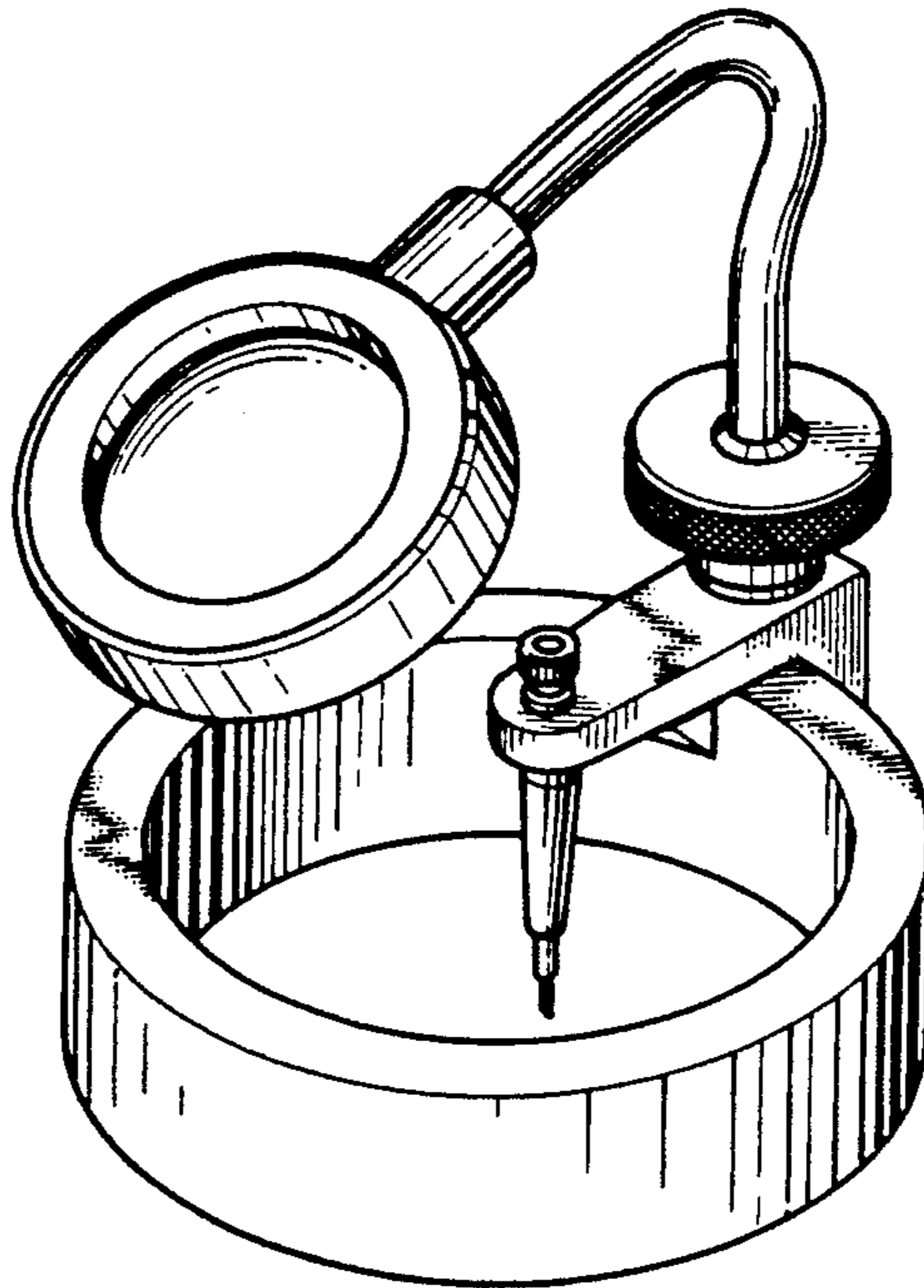


FIG. 1

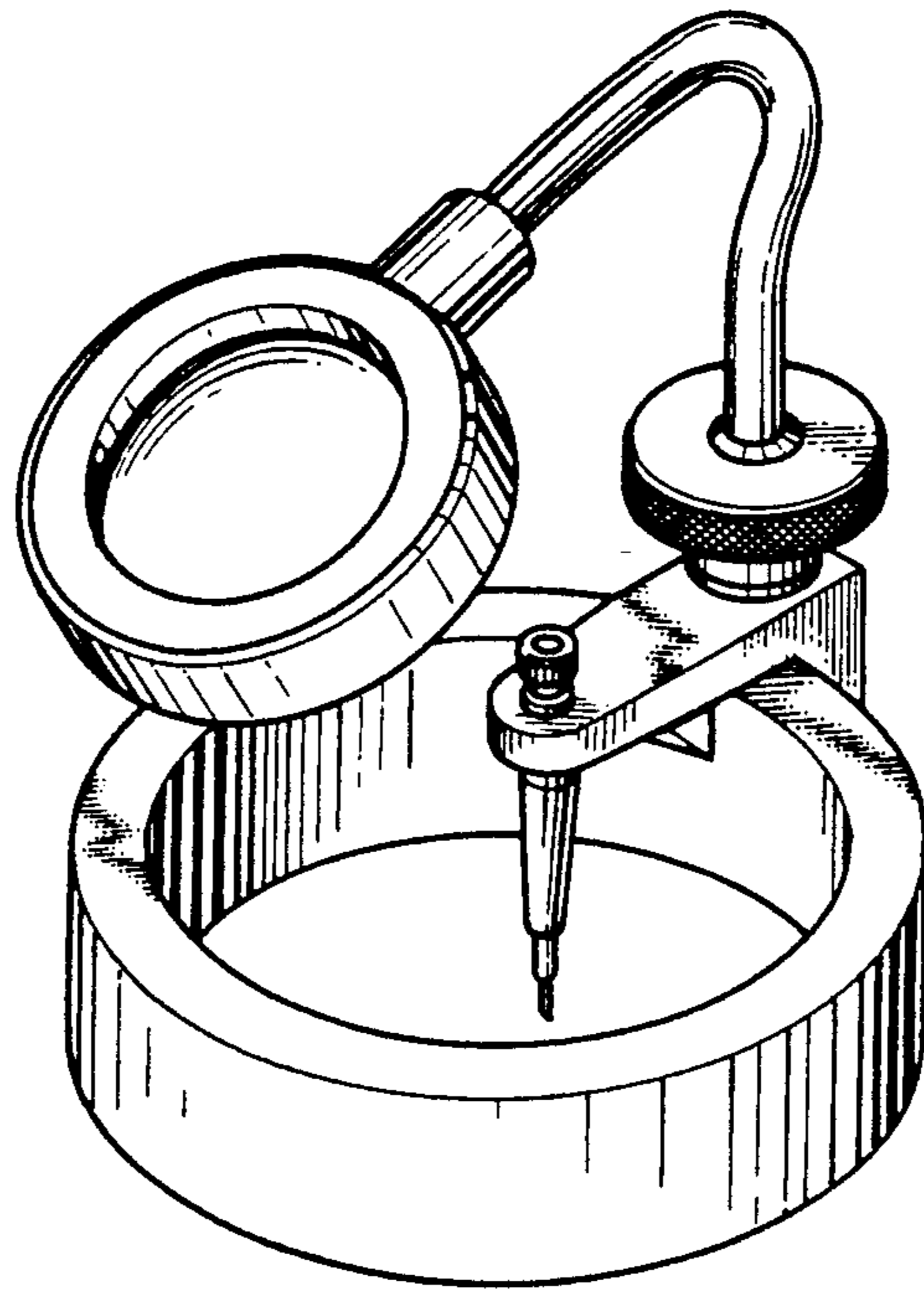


FIG. 2

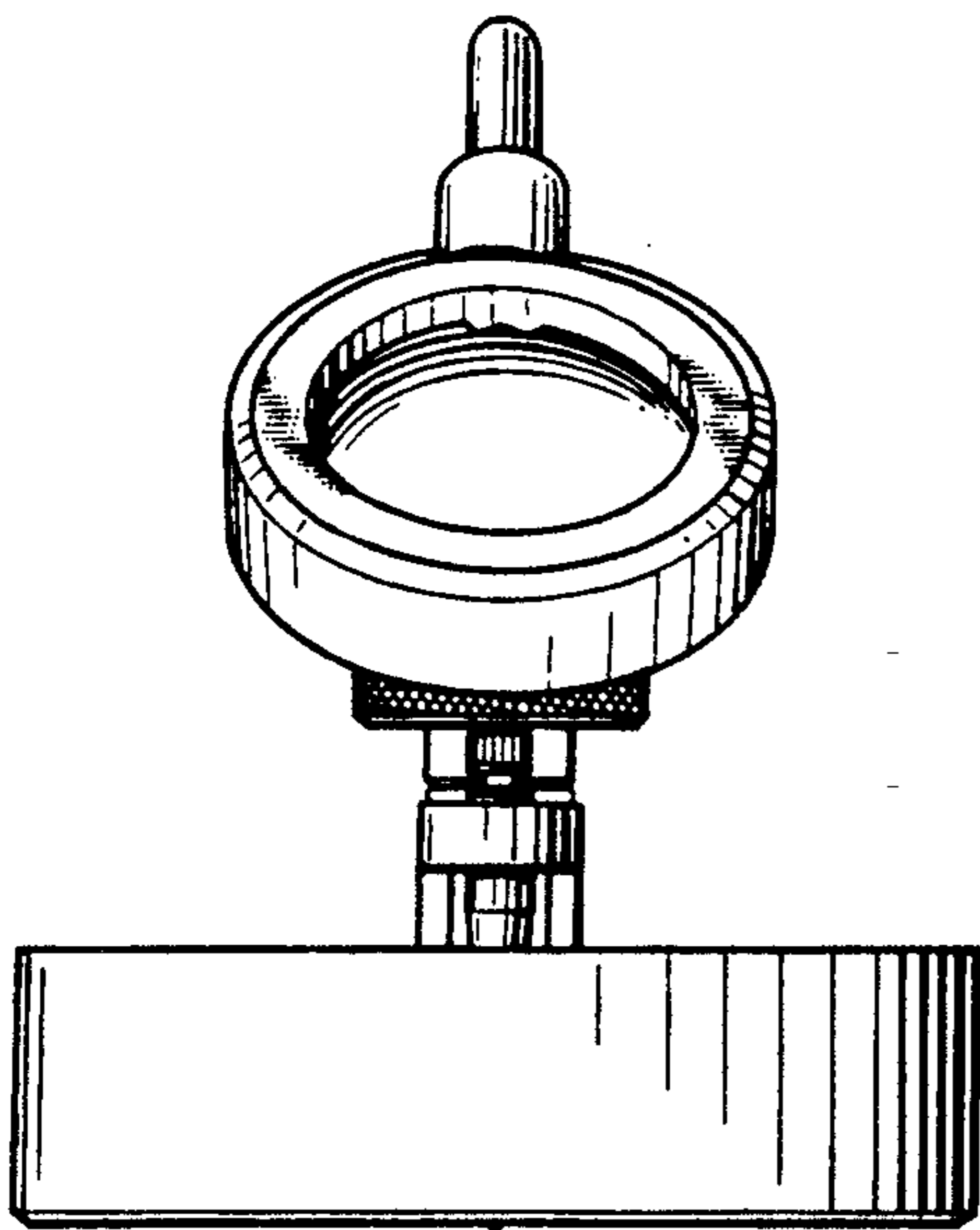


FIG. 3

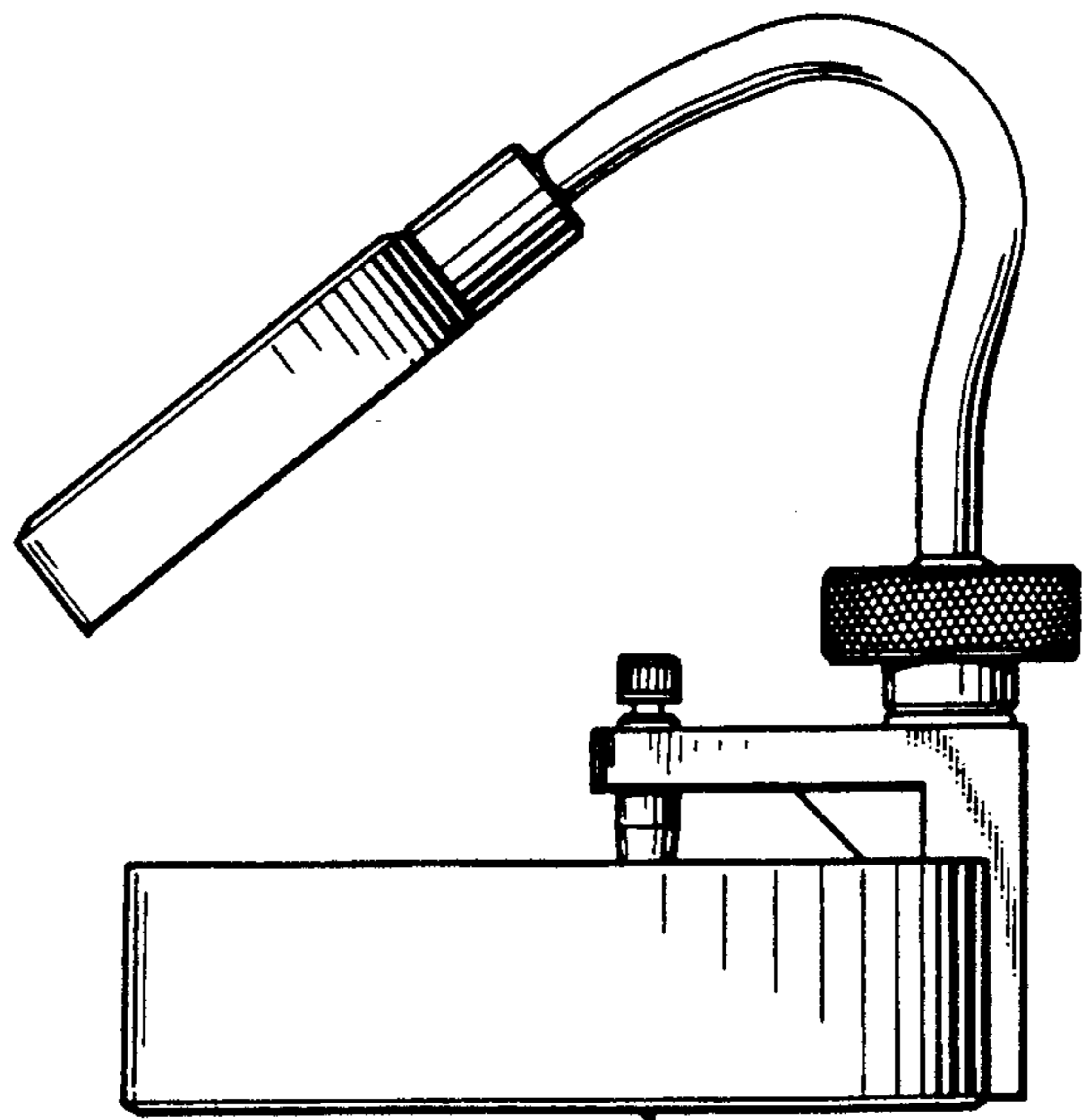


FIG. 4

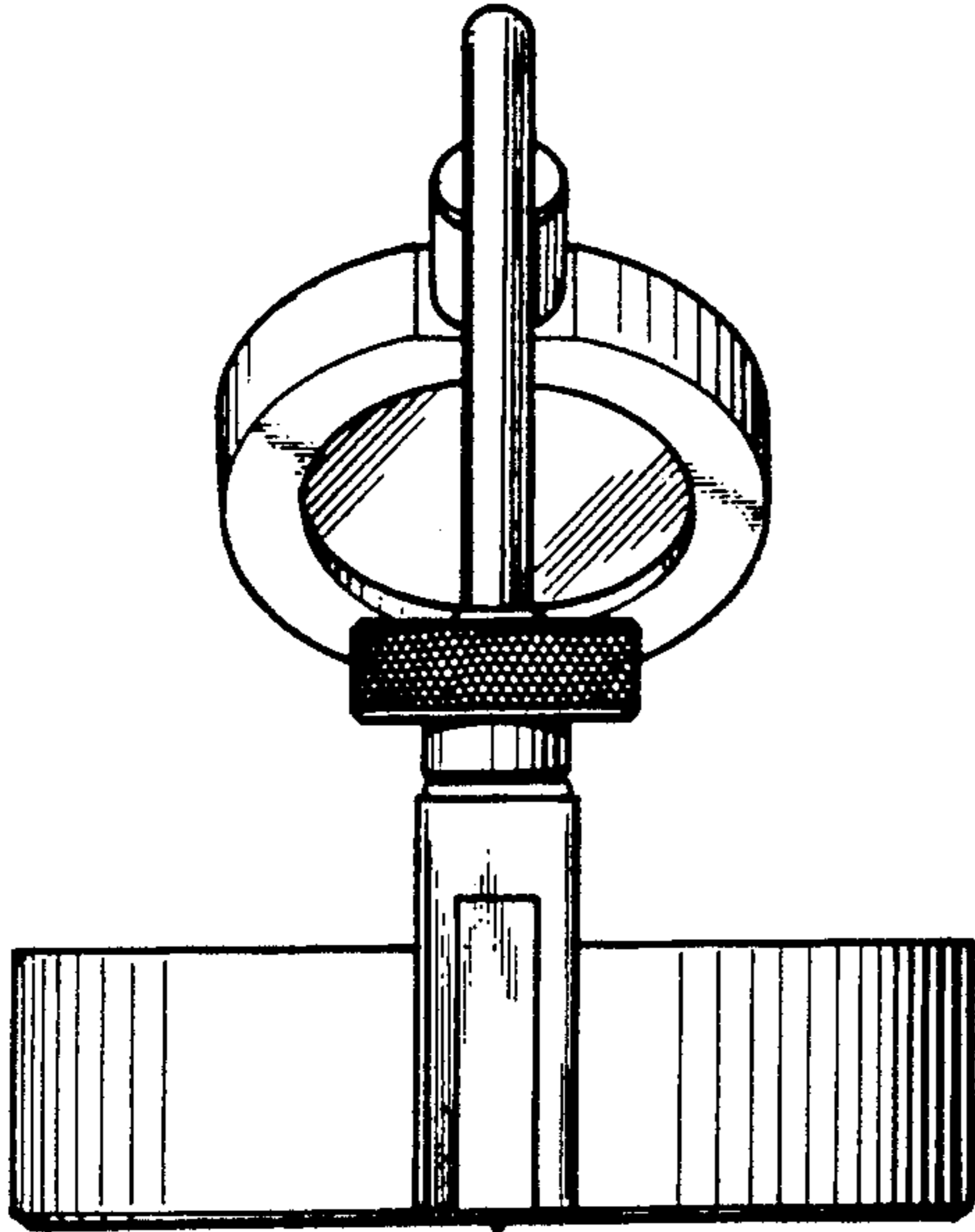


FIG. 5

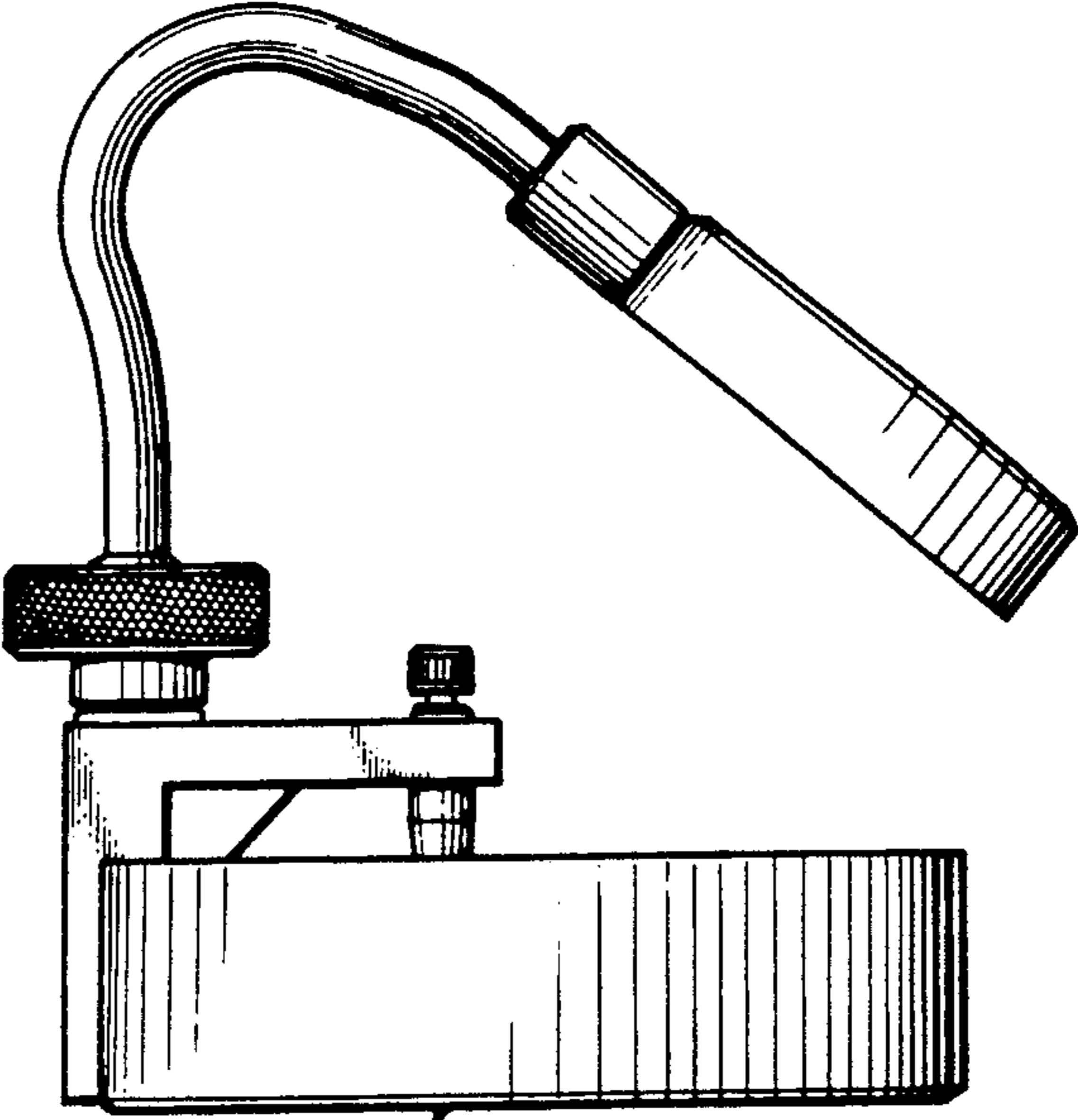


FIG. 6

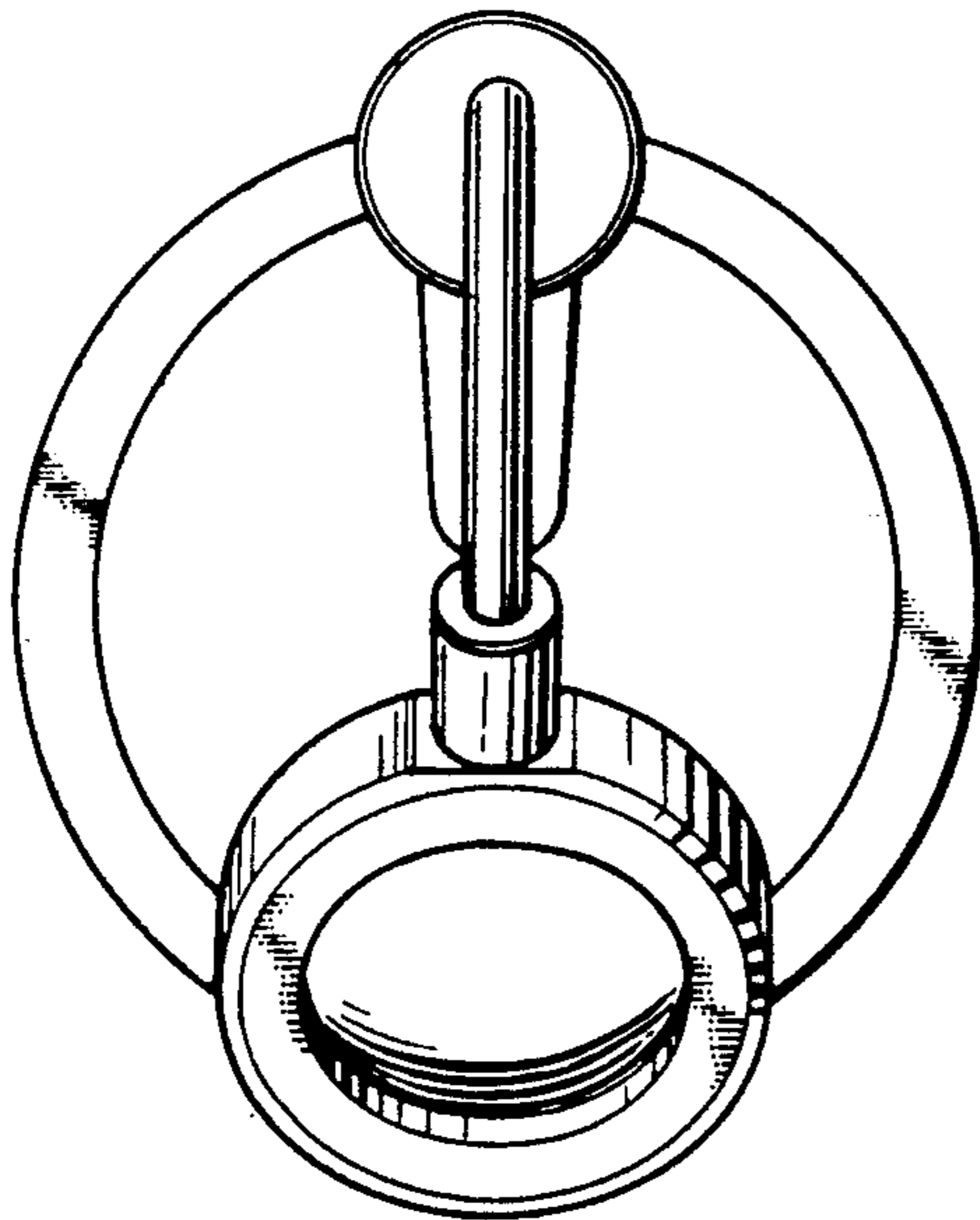


FIG. 7

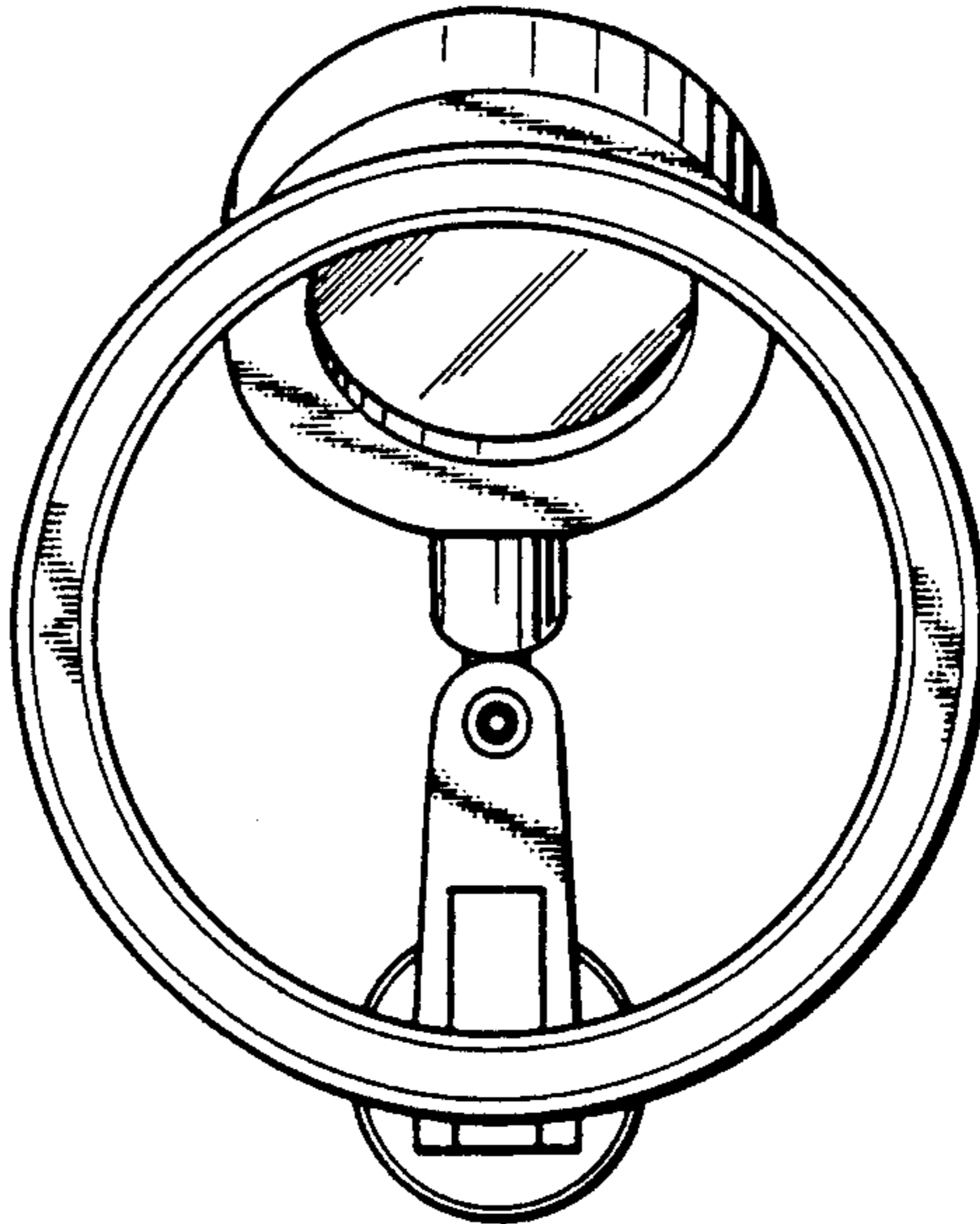


FIG. 8

