

[54] HOLDER FOR HOLDING TOOLS AND OTHER OBJECTS

[76] Inventor: John E. Hotchkiss, 15 L Red Hill Cir., Tiburon, Calif. 94920

[\*\*] Term: 14 Years

[21] Appl. No.: 312,240

[22] Filed: Feb. 21, 1989

[52] U.S. Cl. .... D8/71

[58] Field of Search ..... D8/71, 394, 395; 269/71, 45, 254 R, 321 ME, 104, 152, 75, 98, 277, 278, 254; 211/89; 248/478, 316.7; D19/75, 78, 86, 88, 90

[56] References Cited

U.S. PATENT DOCUMENTS

- D. 241,662 9/1976 Radmall ..... D8/395
- D. 298,910 12/1988 Rodriguez ..... D8/71
- 4,290,575 9/1981 Swartwout ..... 248/316.7
- 4,550,636 11/1985 Josselson et al. .... 269/87.2

- 4,562,618 1/1986 Masuda ..... 269/254 R
- 4,711,439 12/1987 Campbell ..... 269/277
- 4,796,877 1/1989 Musil et al. .... 269/87.2
- 4,840,596 6/1989 Dougherty et al. .... 269/254 R
- 4,872,654 10/1989 Seele ..... 269/254 R
- 4,932,625 6/1990 Hotchkiss ..... 248/316.7

Primary Examiner—Nelson C. Holtje  
Assistant Examiner—J. H. Musgrove  
Attorney, Agent, or Firm—Glen R. Grunewald

[57] CLAIM

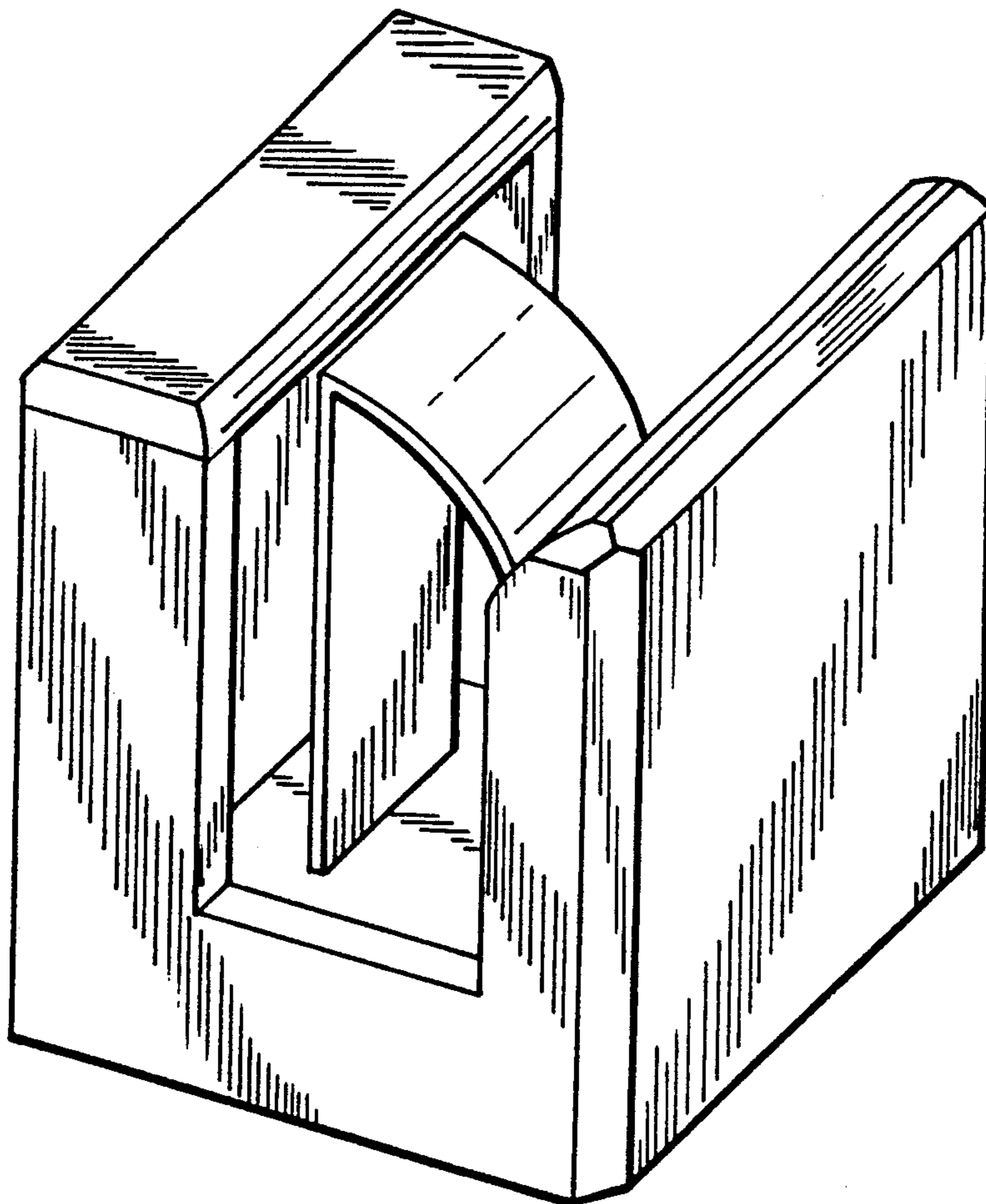
The ornamental design for a holder for holding tools and other objects, as shown and described.

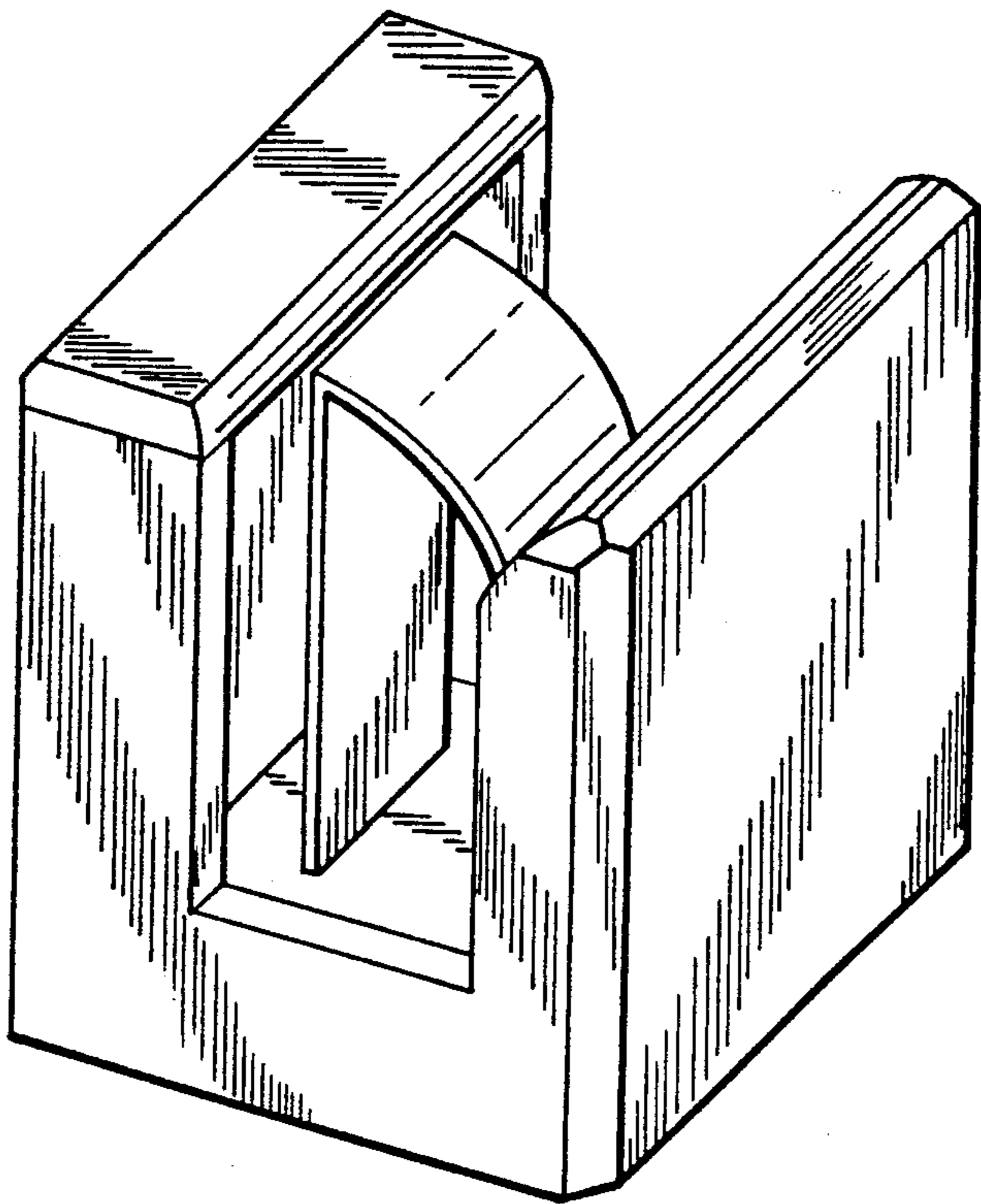
DESCRIPTION

FIG. 1 is a front top-right perspective view of a holder for holding tools and other objects showing my new design;

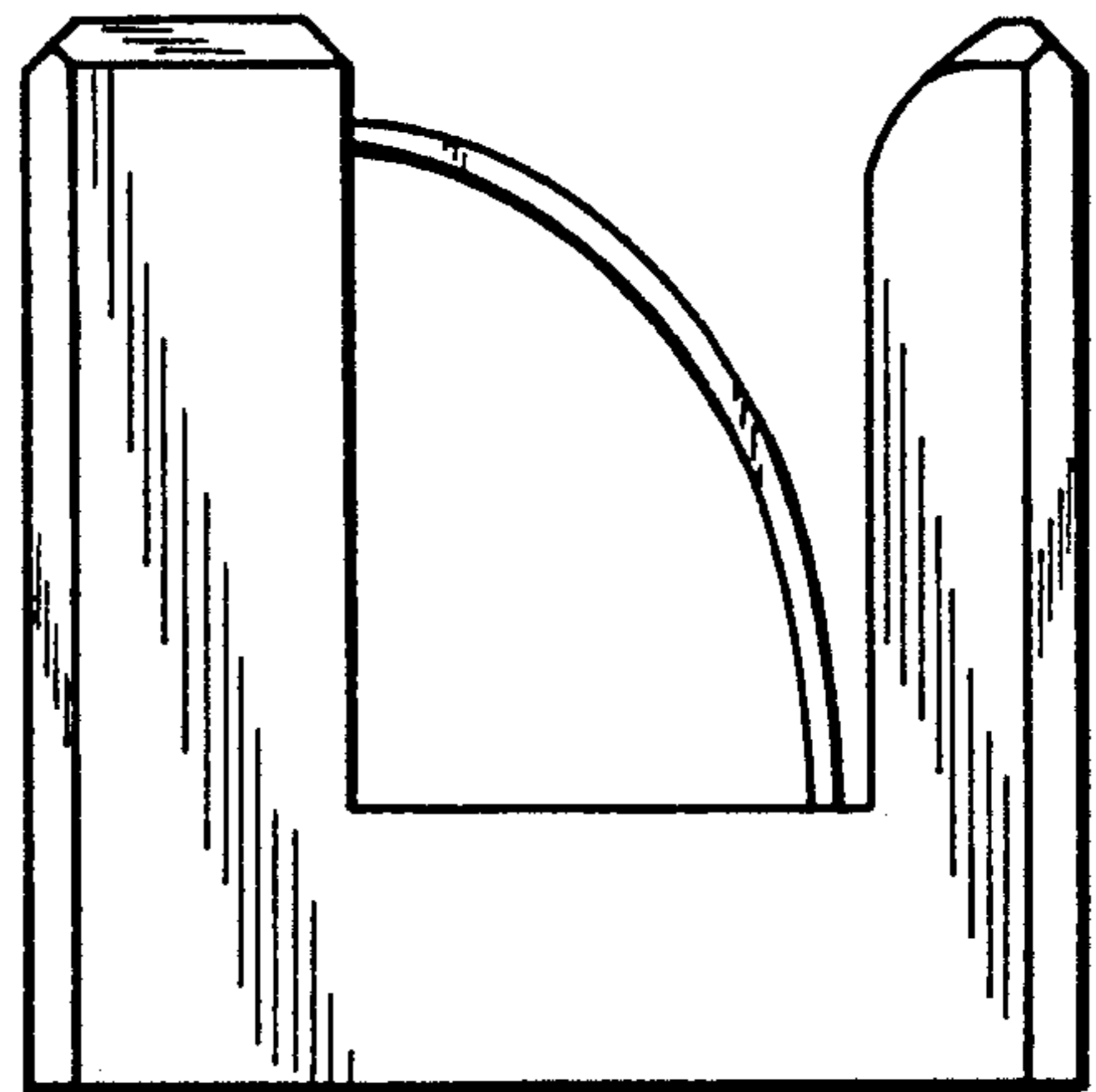
FIG. 2 is a front elevational view the rear be a mirror image;

FIG. 3 is a bottom plan view; and  
FIG. 4 is a top plan view thereof.

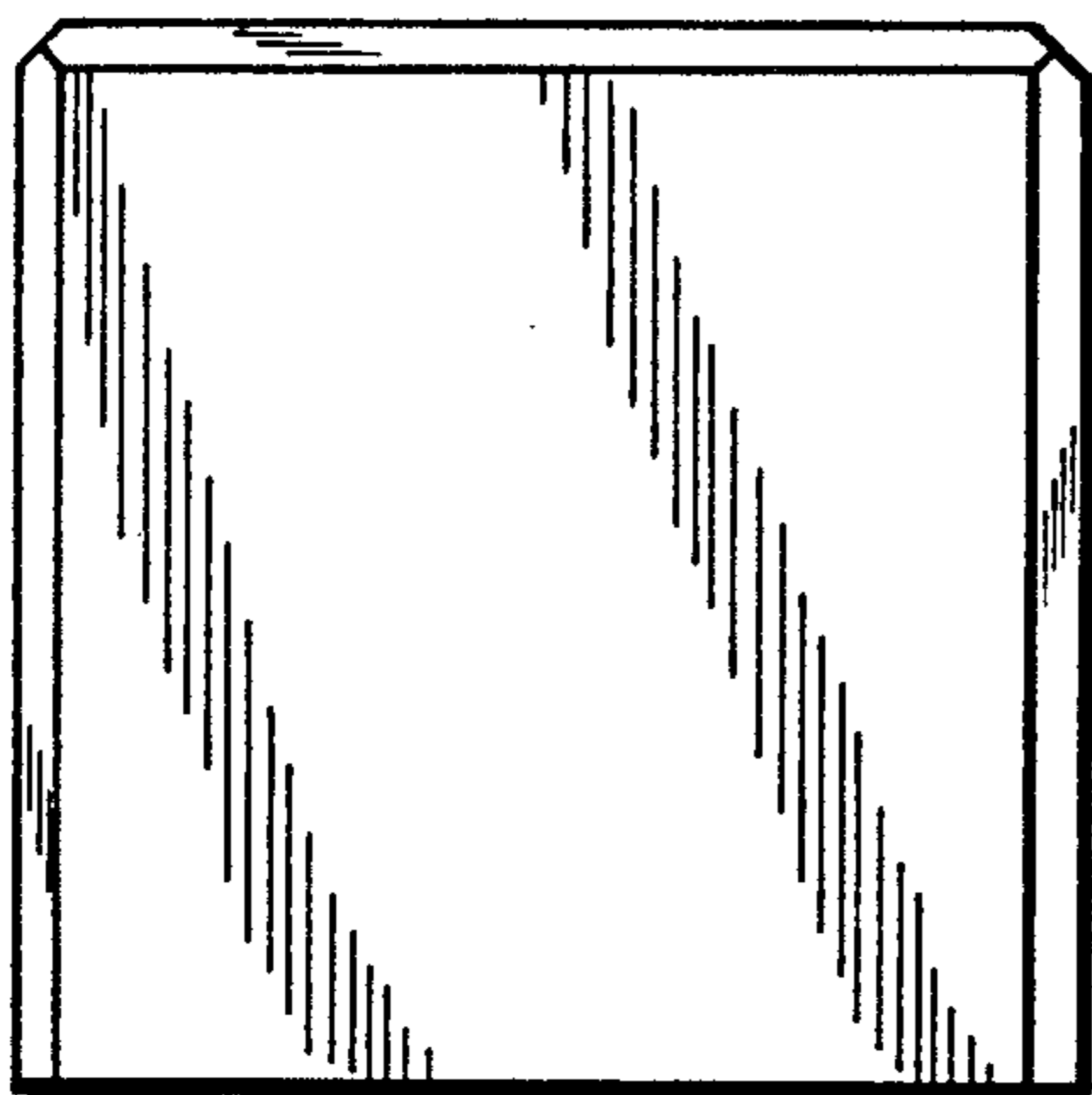




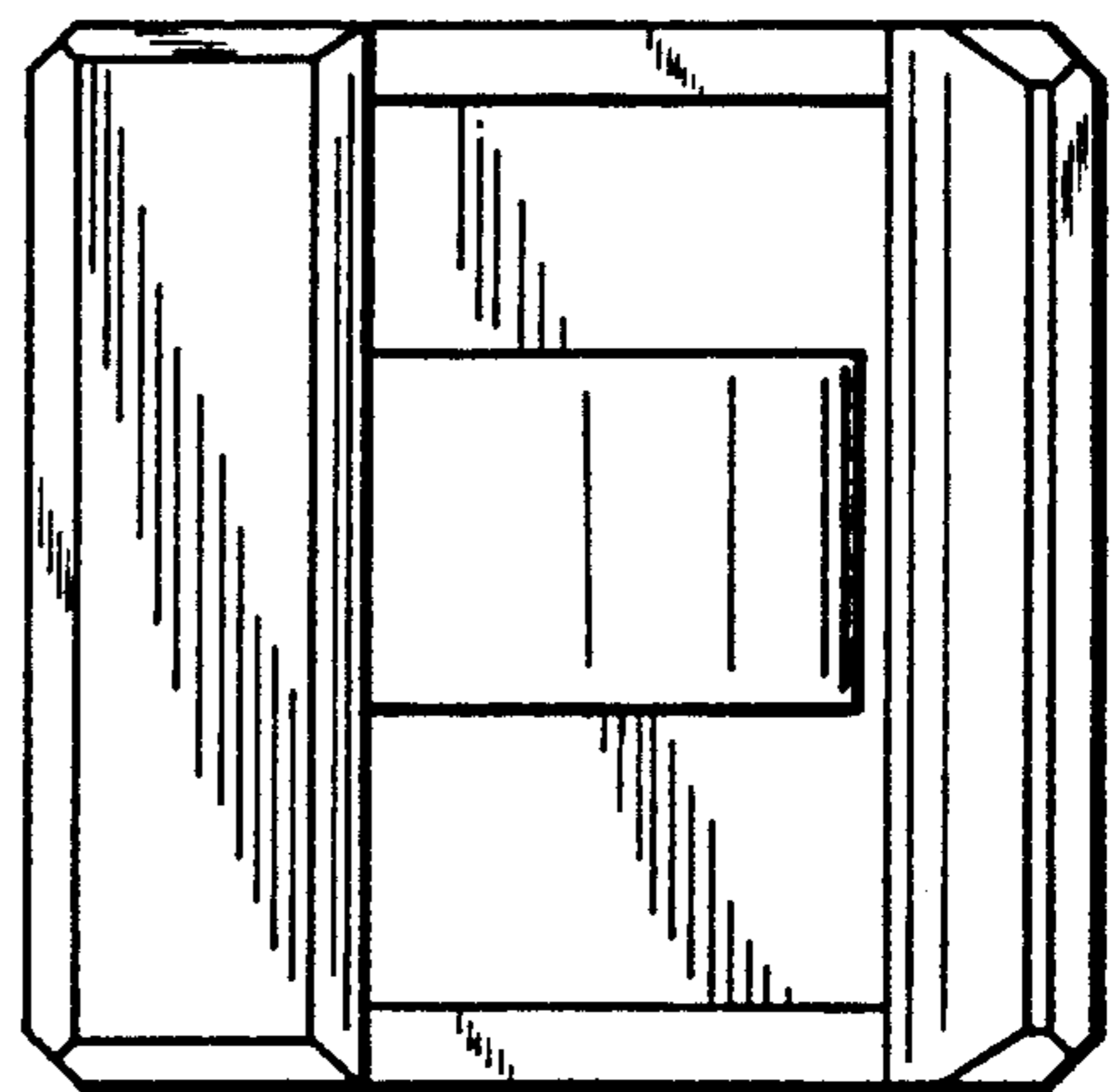
*FIG. 1.*



*FIG. 2.*



*FIG. 3.*



*FIG. 4.*