

# United States Patent [19]

Mikiya

[11] Patent Number: **Des. 321,465**

[45] Date of Patent: **\*\* Nov. 12, 1991**

[54] **PORTABLE BELT SANDER**

[75] Inventor: **Toshio Mikiya, Tokyo, Japan**

[73] Assignee: **Nitto Kohki Co., Ltd., Tokyo, Japan**

[\*\*] Term: **14 Years**

[21] Appl. No.: **314,831**

[22] Filed: **Feb. 24, 1989**

[30] **Foreign Application Priority Data**

Aug. 31, 1988 [JP] Japan ..... 63-34120

[52] U.S. Cl. .... **D8/62**

[58] Field of Search ..... D8/61, 62; 173/170;  
51/170 R, 170 T, 170 TL, 170 PL, 170 MT, 170  
EB; 81/54, 57.11, 57.14, 17.13; 310/50

[56] **References Cited**

### U.S. PATENT DOCUMENTS

D. 215,147 8/1969 Mikiya ..... D8/62  
D. 265,172 6/1982 Fleckenstein et al. .... D8/62  
D. 298,508 11/1988 Fukuda et al. .... D8/62

D. 301,966 7/1989 Currie ..... D8/62  
4,195,449 4/1980 Scarpa et al. .... 51/170 EB  
4,411,106 10/1983 Fleckenstein et al. .... 51/170 EB  
4,578,906 4/1986 Appleton ..... 51/170 EB  
4,727,685 3/1988 Batt ..... 51/170 EB

*Primary Examiner*—Nelson C. Holtje  
*Assistant Examiner*—J. H. Musgrove  
*Attorney, Agent, or Firm*—Nixon & Vanderhye

[57] **CLAIM**

The ornamental design for a portable belt sander, as shown.

### DESCRIPTION

FIG. 1 is a front, top-left perspective view of a portable belt sander showing my new design;  
FIG. 2 is a front elevational view;  
FIG. 3 is a top plan view;  
FIG. 4 is a bottom plan view;  
FIG. 5 is a left side elevational view;  
FIG. 6 is a right side elevational view; and  
FIG. 7 is a rear elevational view thereof.

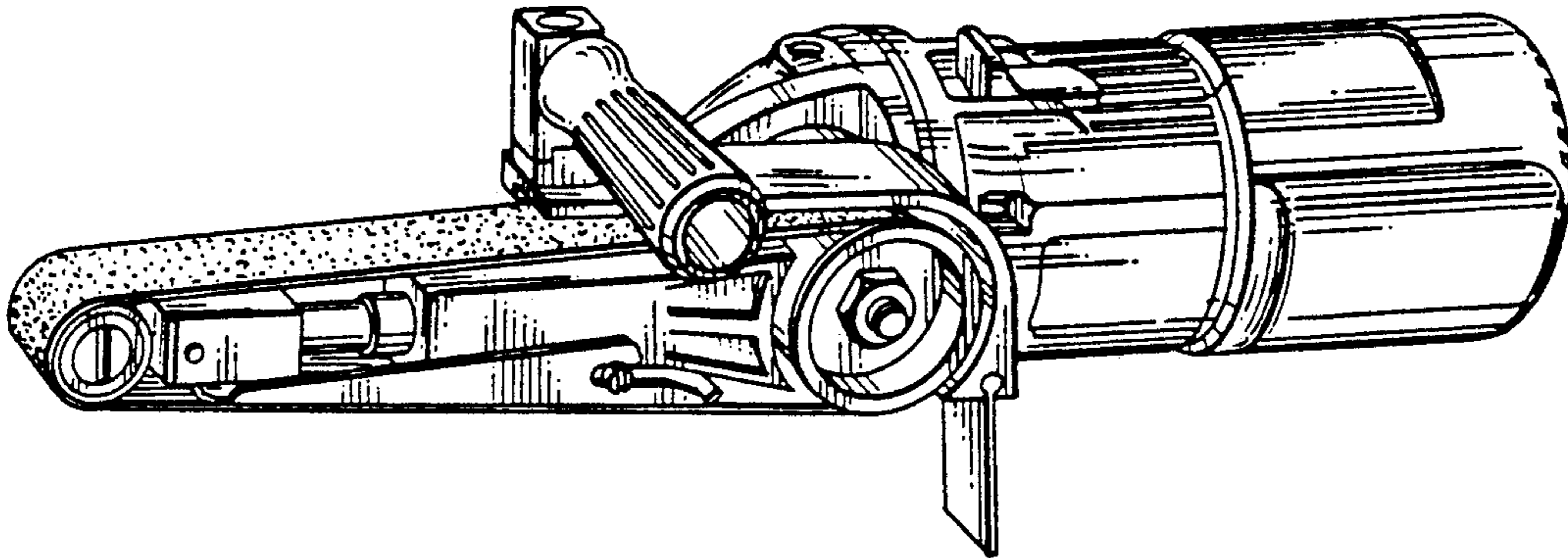


FIG. 1

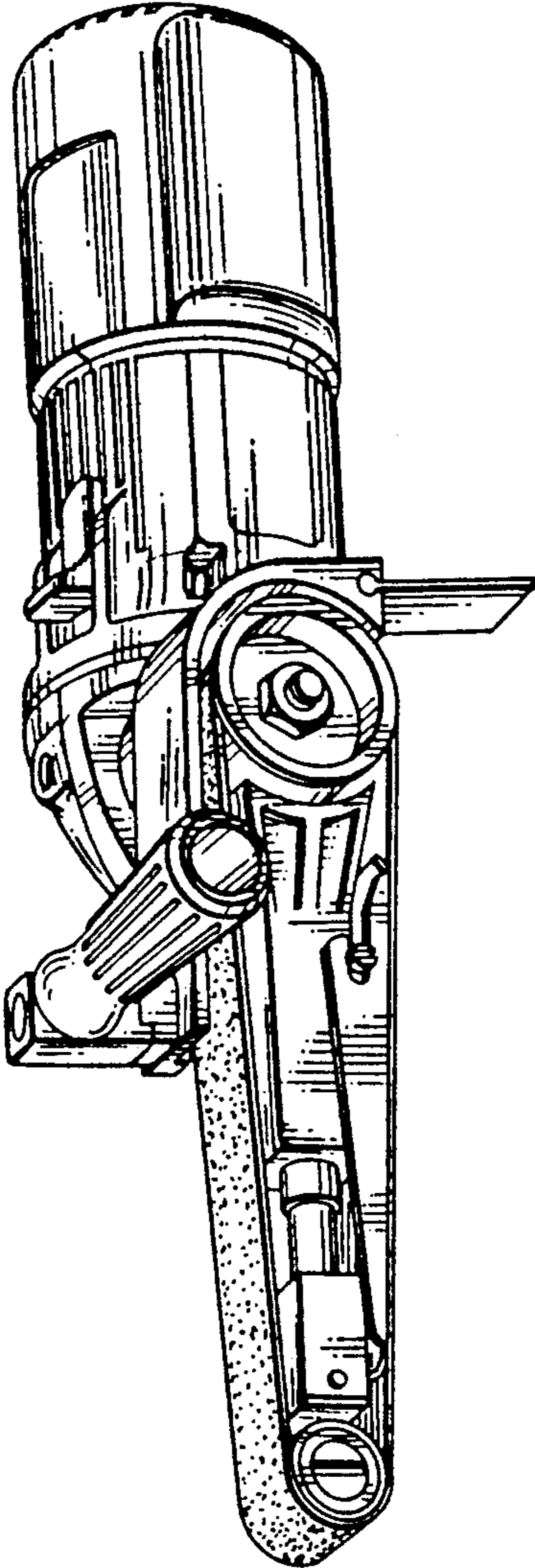
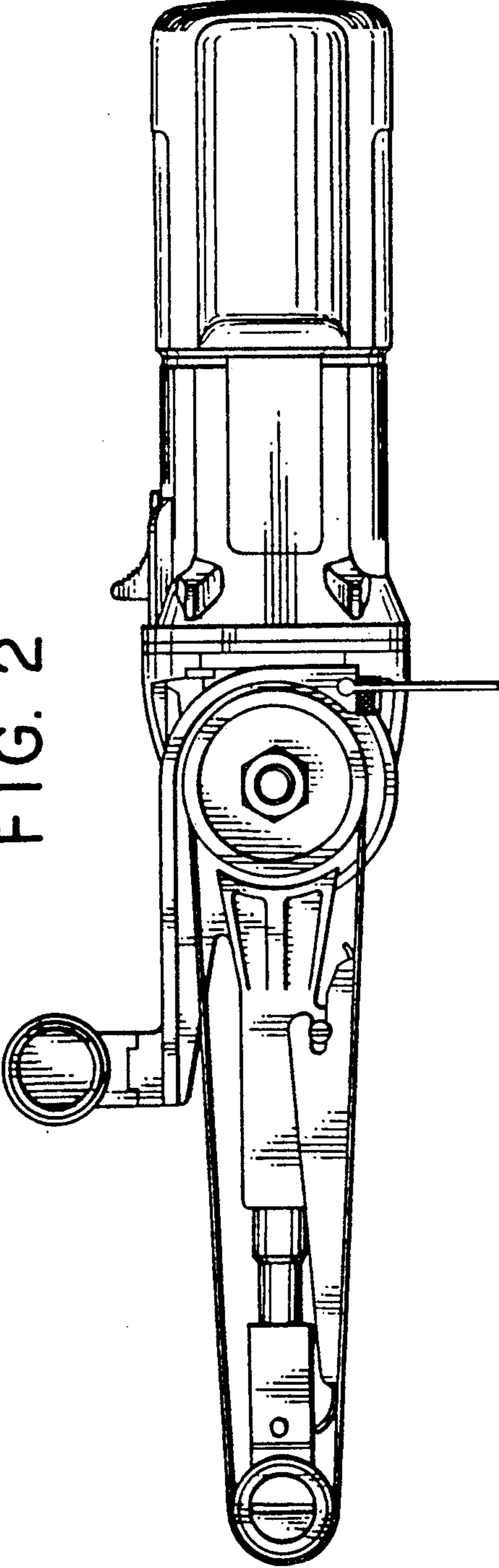


FIG. 2



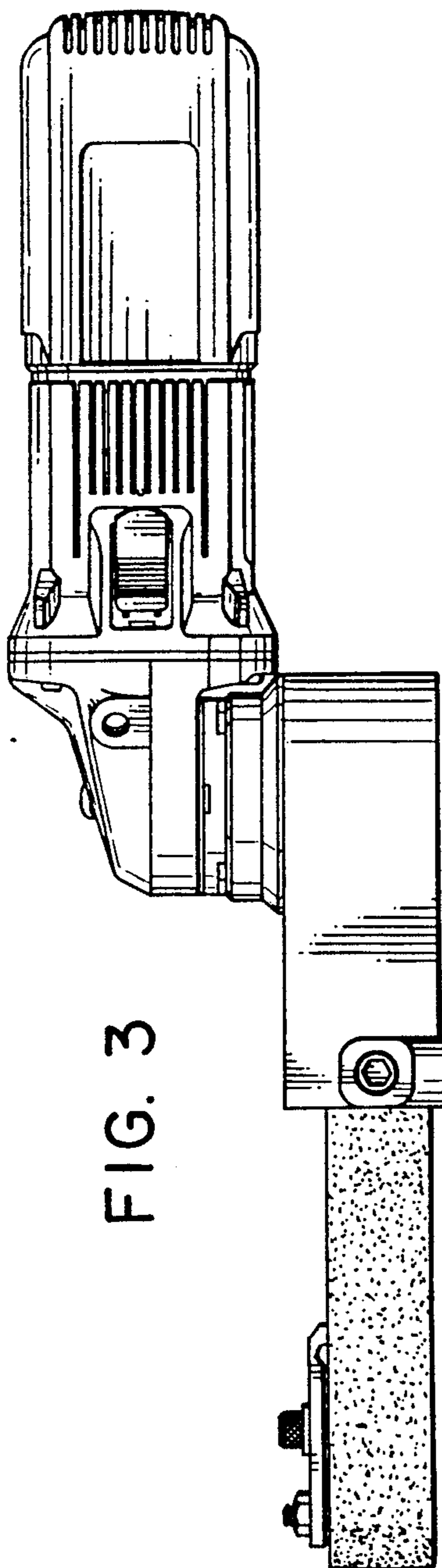


FIG. 3



FIG. 4

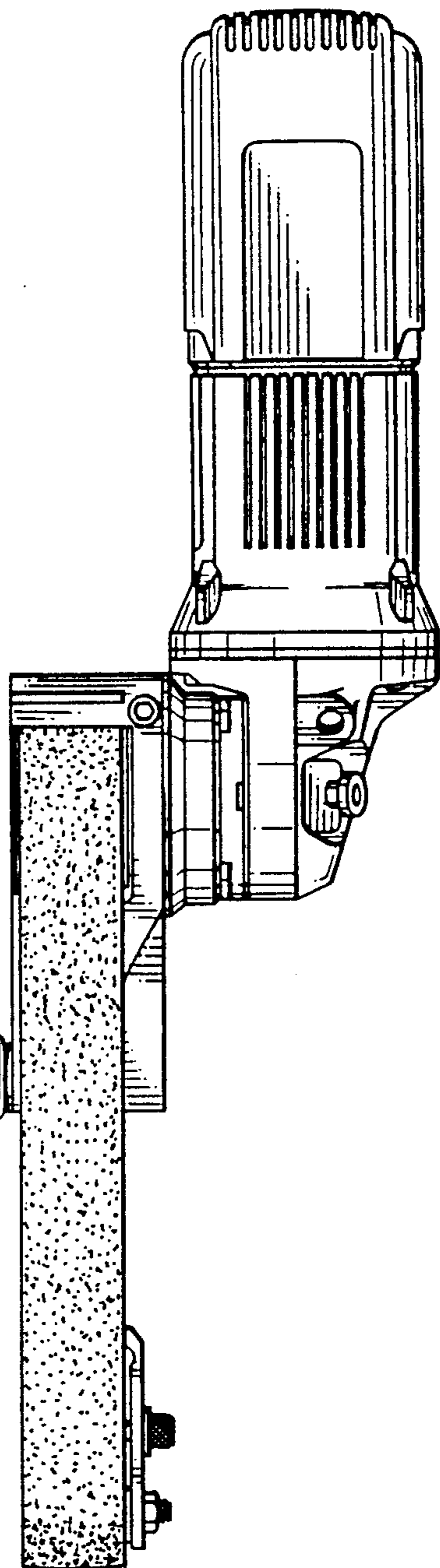


FIG. 6

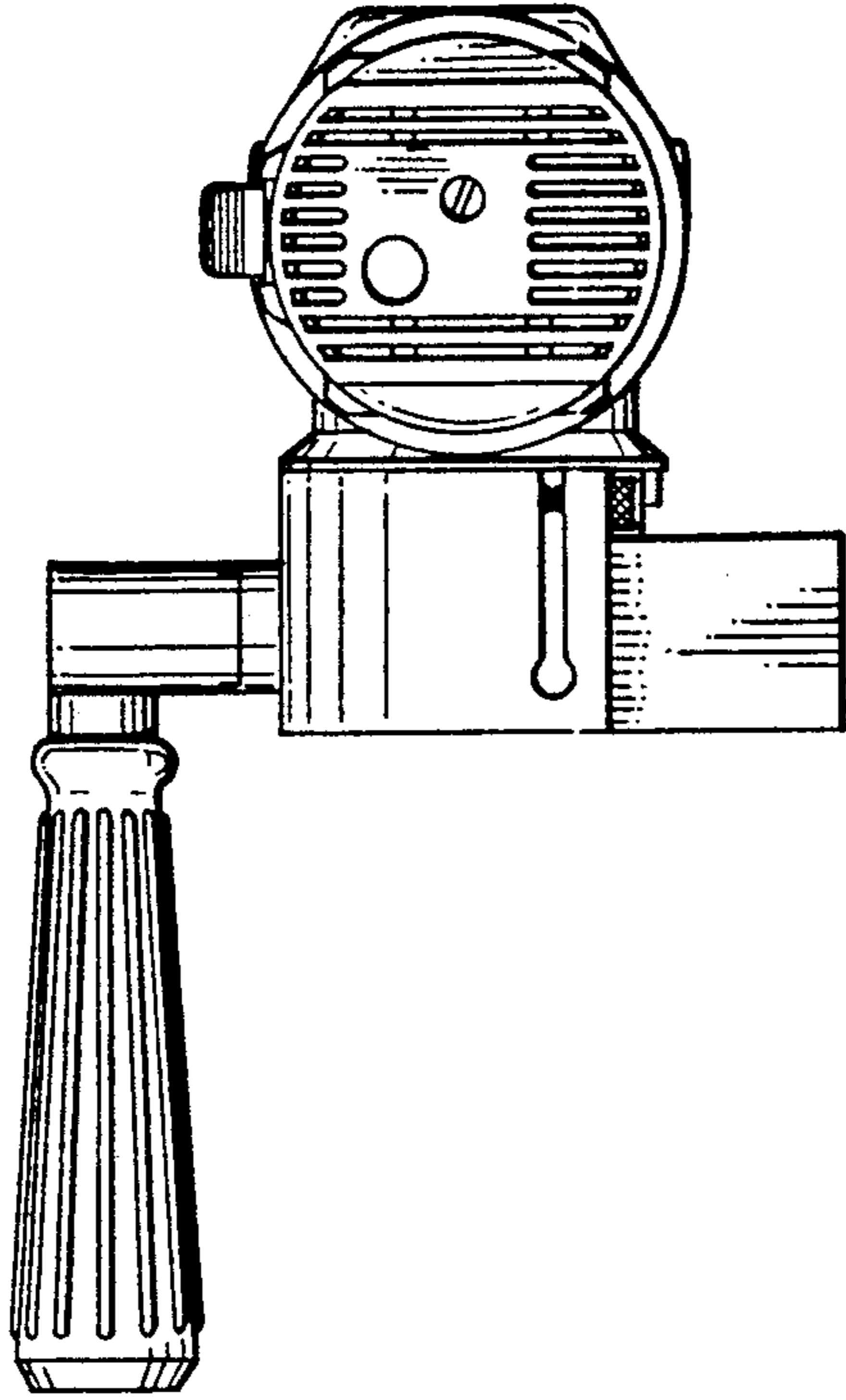


FIG. 5

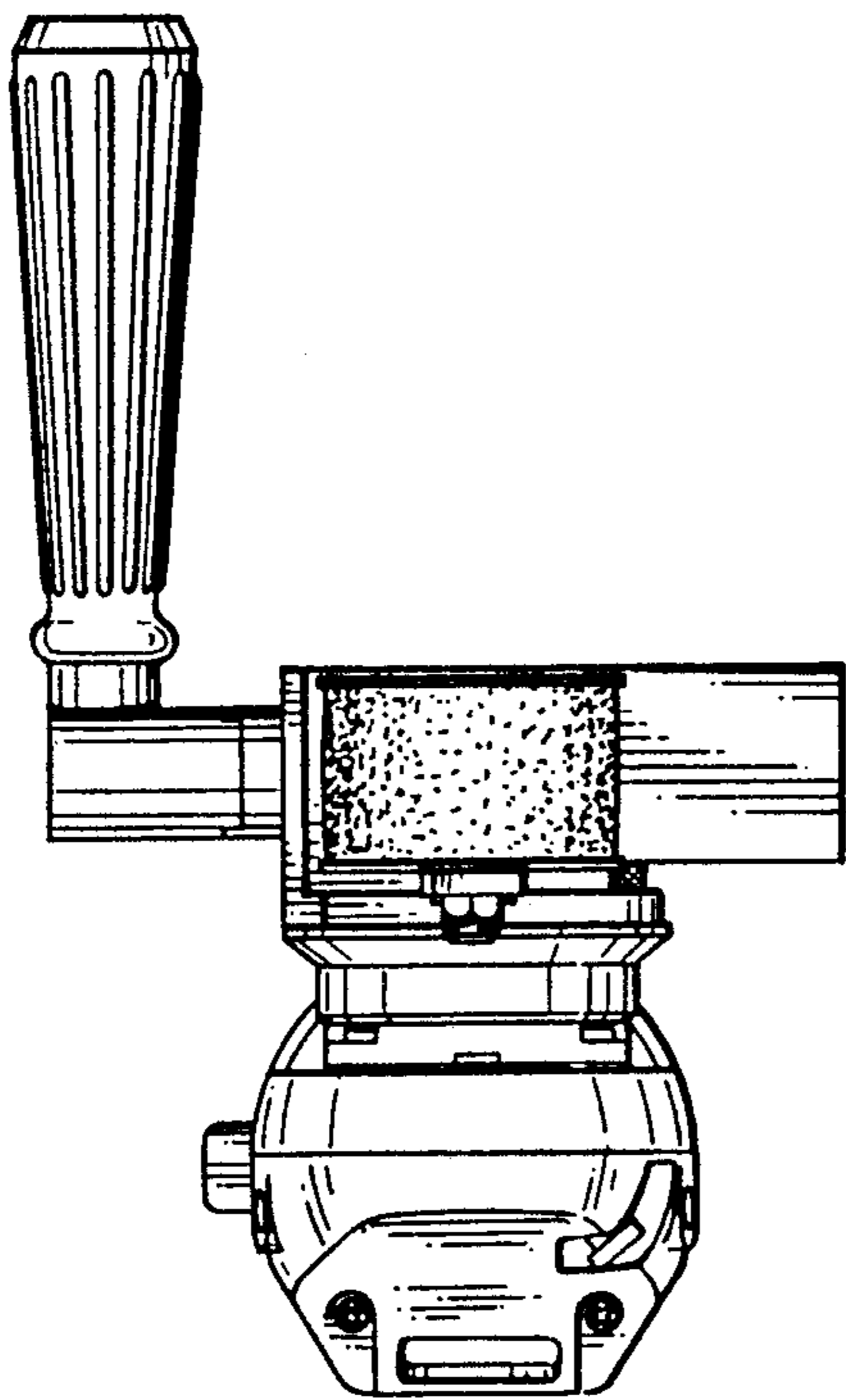


FIG. 7

