

[54] PORTABLE BELT SANDER

[75] Inventor: Toshio Mikiya, Tokyo, Japan

[73] Assignee: Nitto Kohki Co., Ltd., Tokyo, Japan

[**] Term: 14 Years

[21] Appl. No.: 397,797

[22] Filed: Aug. 24, 1989

[30] Foreign Application Priority Data

Feb. 27, 1989 [JP] Japan 1-6646

[52] U.S. Cl. D8/62

[58] Field of Search D8/61, 62; 173/170; 51/170 R, 170 T, 170 TL, 170 PL, 170 MT, 170 EB; 81/54, 57.11, 57.14, 17.13; 310/50

[56] References Cited

U.S. PATENT DOCUMENTS

- D. 215,047 8/1969 Mikiya D8/62
- D. 265,172 6/1982 Fleckenstein et al. D8/62
- D. 298,508 11/1988 Fukuda et al. D8/62

- D. 301,966 7/1989 Currie D8/62
- 4,195,449 4/1980 Scarpa et al. 51/170 EB
- 4,411,106 10/1983 Fleckenstein et al. 51/170 EB
- 4,578,906 4/1986 Appleton 51/170 EB
- 4,727,685 3/1988 Batt 51/170 EB

Primary Examiner—Nelson C. Holtje
Assistant Examiner—J. H. Musgrove
Attorney, Agent, or Firm—Nixon & Vanderhye

[57] CLAIM

The ornamental design for a portable belt sander, as shown.

DESCRIPTION

FIG. 1 is a front, top-left perspective view of a portable belt sander showing my new design; FIG. 2 is a front elevational view; FIG. 3 is a top plan view; FIG. 4 is a bottom plan view; FIG. 5 is a left side elevational view; FIG. 6 is a right side elevational view; and FIG. 7 is a rear elevational view thereof.

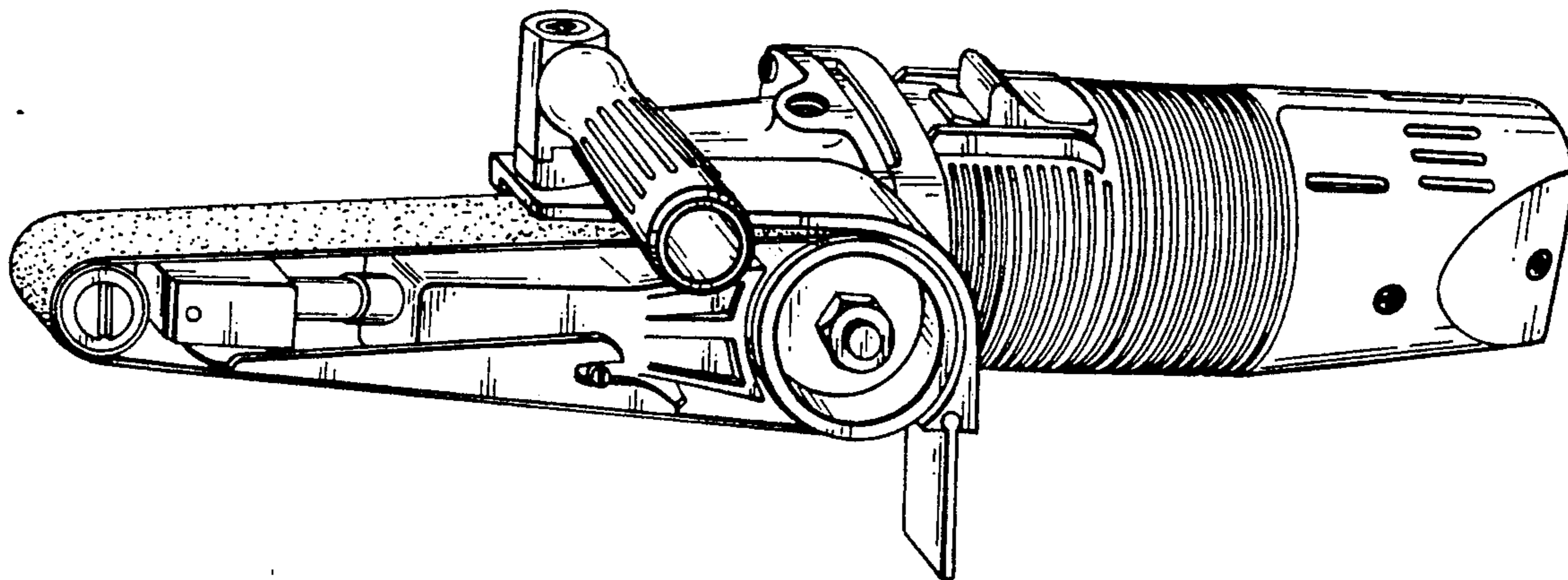


FIG. 1

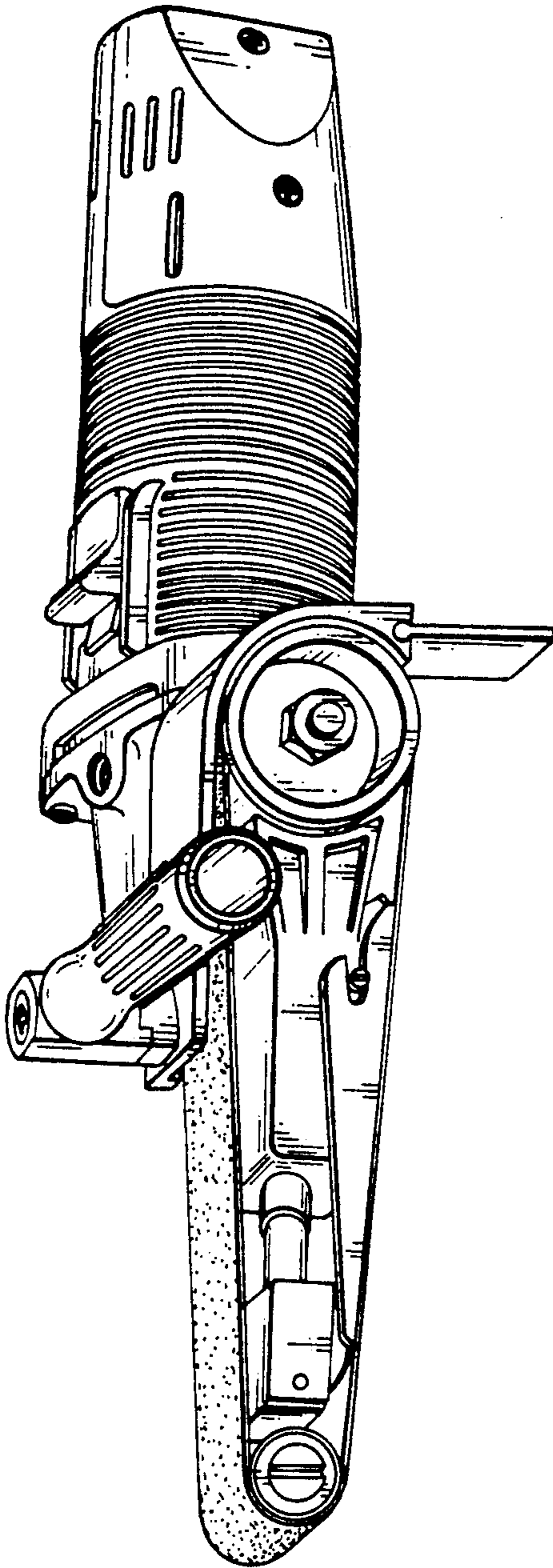
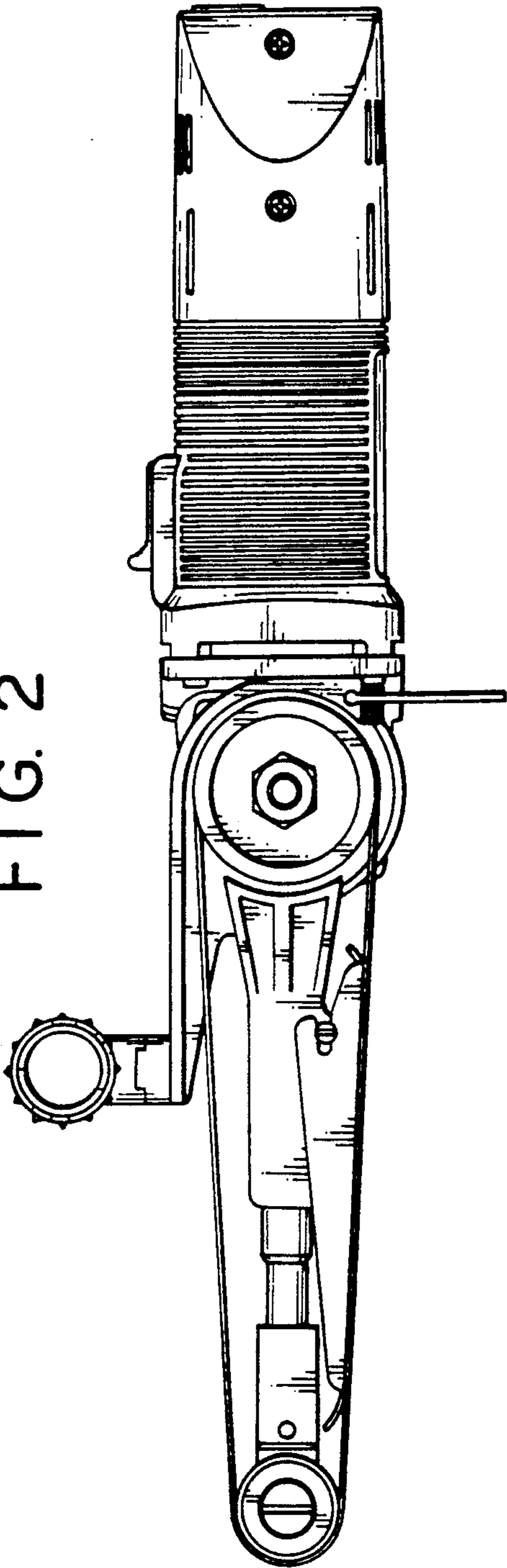


FIG. 2



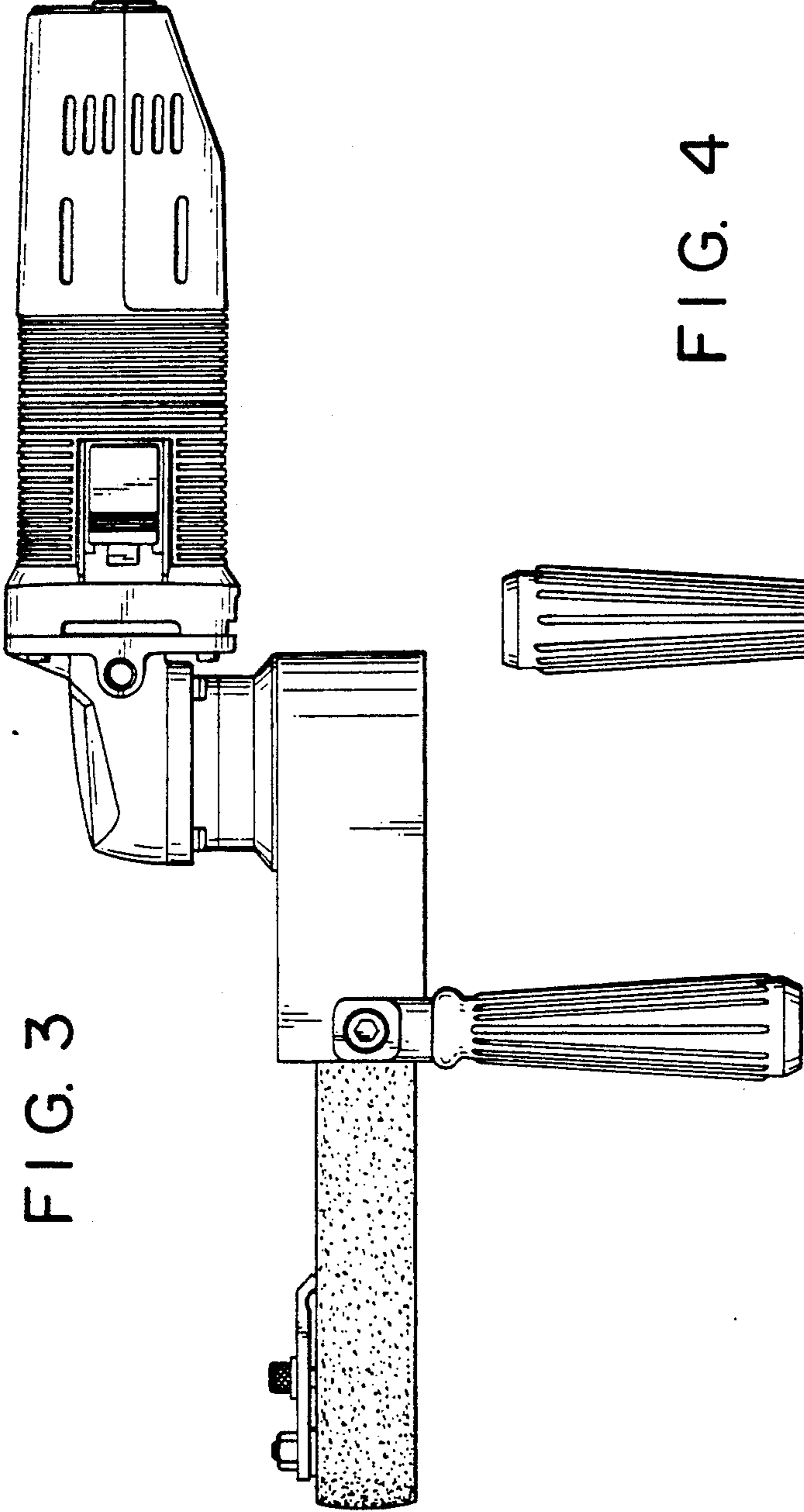


FIG. 4

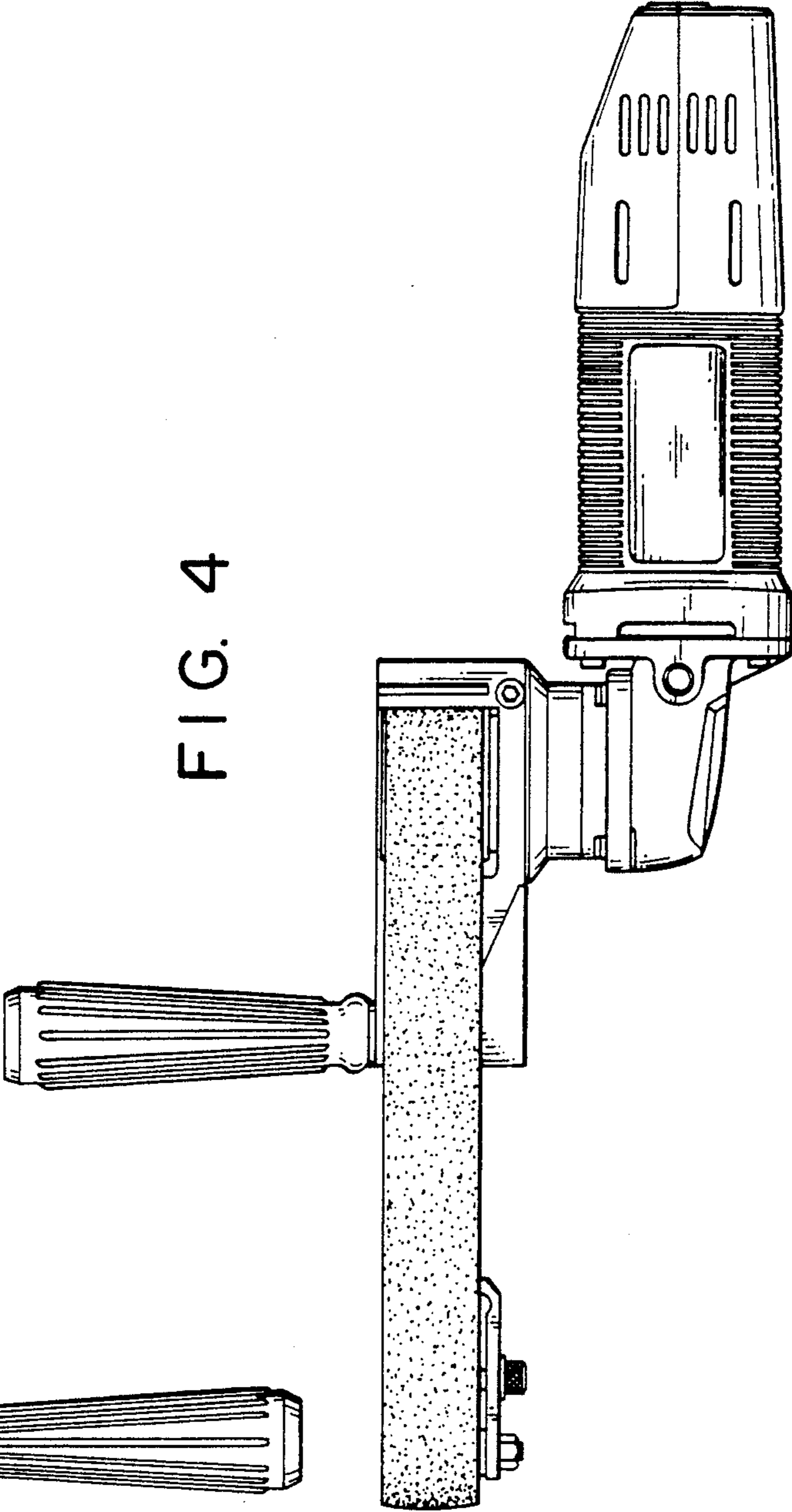


FIG. 6

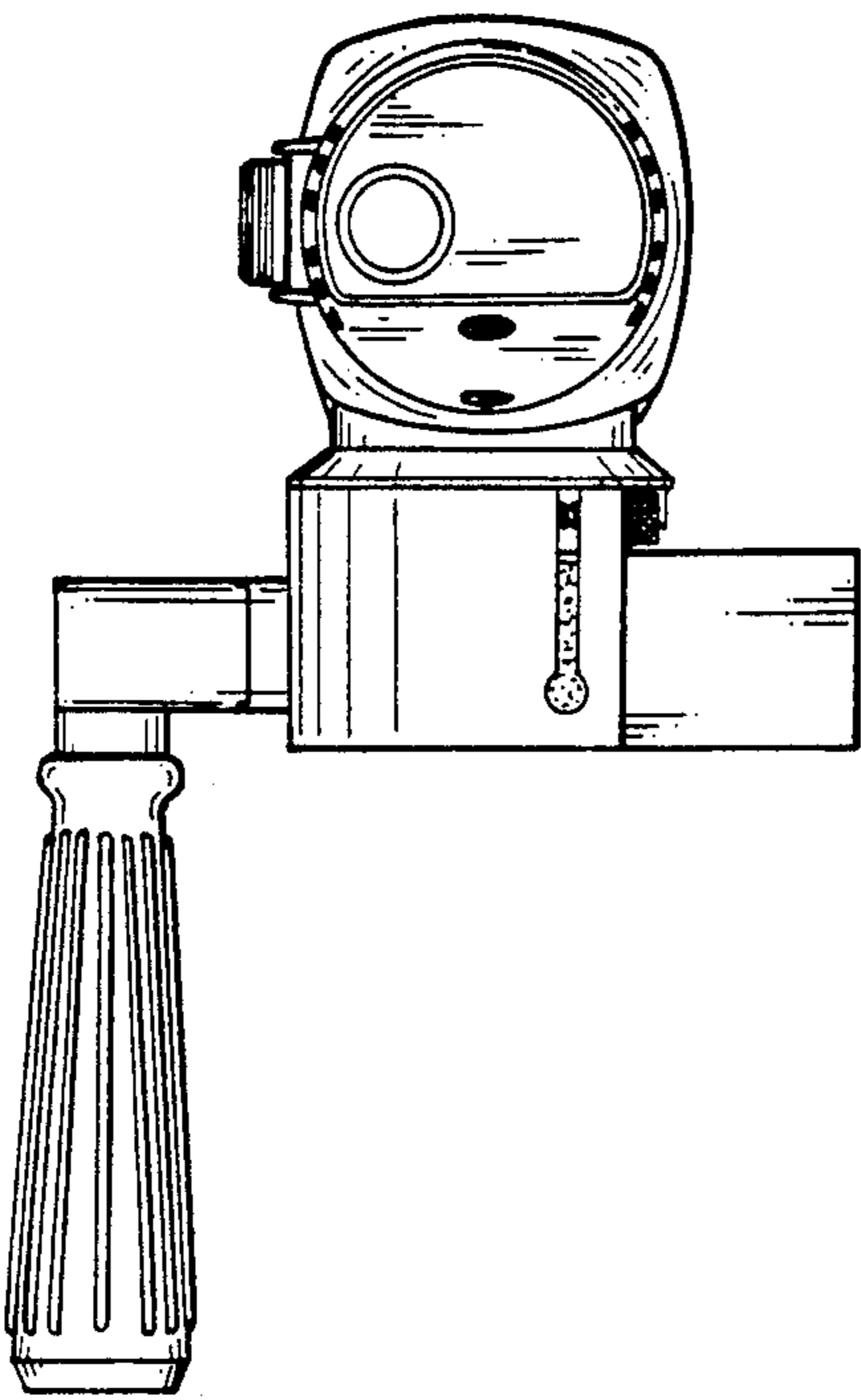


FIG. 5

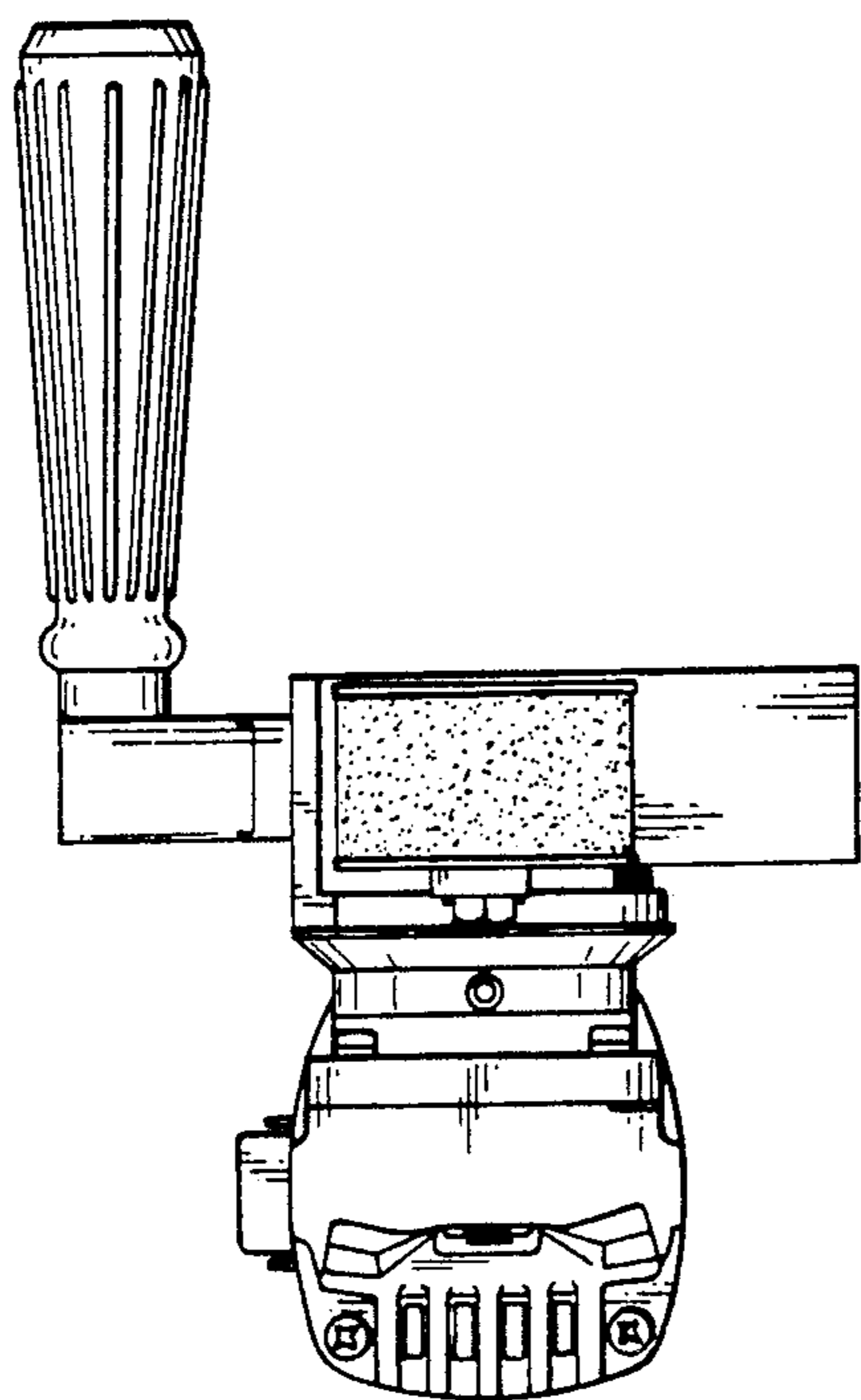


FIG. 7

