

[54] EXTENDED PNEUMATIC TOOL

[75] Inventors: Robert B. Staubitz, Collinsville, Conn.; Gregory P. Albert, Waverly, N.Y.; Kenneth J. Dubuque, Sheshequin, Pa.; Charles J. Hix, Jr., Ulster, Pa.; Bruce D. Fay, Sayre, Pa.

[73] Assignee: Ingersoll-Rand Company, Woodcliff Lake, N.J.

[**] Term: 14 Years

[21] Appl. No.: 331,884

[22] Filed: Mar. 31, 1989

[52] U.S. Cl. D8/61

[58] Field of Search D8/61, 62, 63; 81/44, 81/54, 57, 57.11, 57.13, 57.14, 57.17; 173/170, 163; 408/124, 125, 127

[56] References Cited

U.S. PATENT DOCUMENTS

- D. 168,215 11/1952 Doeden D8/61
- D. 261,097 10/1981 Wallace et al. D8/61
- D. 269,247 6/1983 Lenzin et al. D8/61

- D, 298,009 10/1988 Svetlik D8/61
- 3,866,493 2/1975 Ringerud 81/57.11
- 4,535,850 8/1985 Alexander 173/163
- 4,605,073 8/1986 Nilsson et al. D8/61
- 4,708,210 11/1987 Rahm 173/170

OTHER PUBLICATIONS

Gardner-Denver Cat., dated 5-10-82, p. 20, air tool.

Primary Examiner—Nelson C. Holtje

Assistant Examiner—J. H. Musgrove

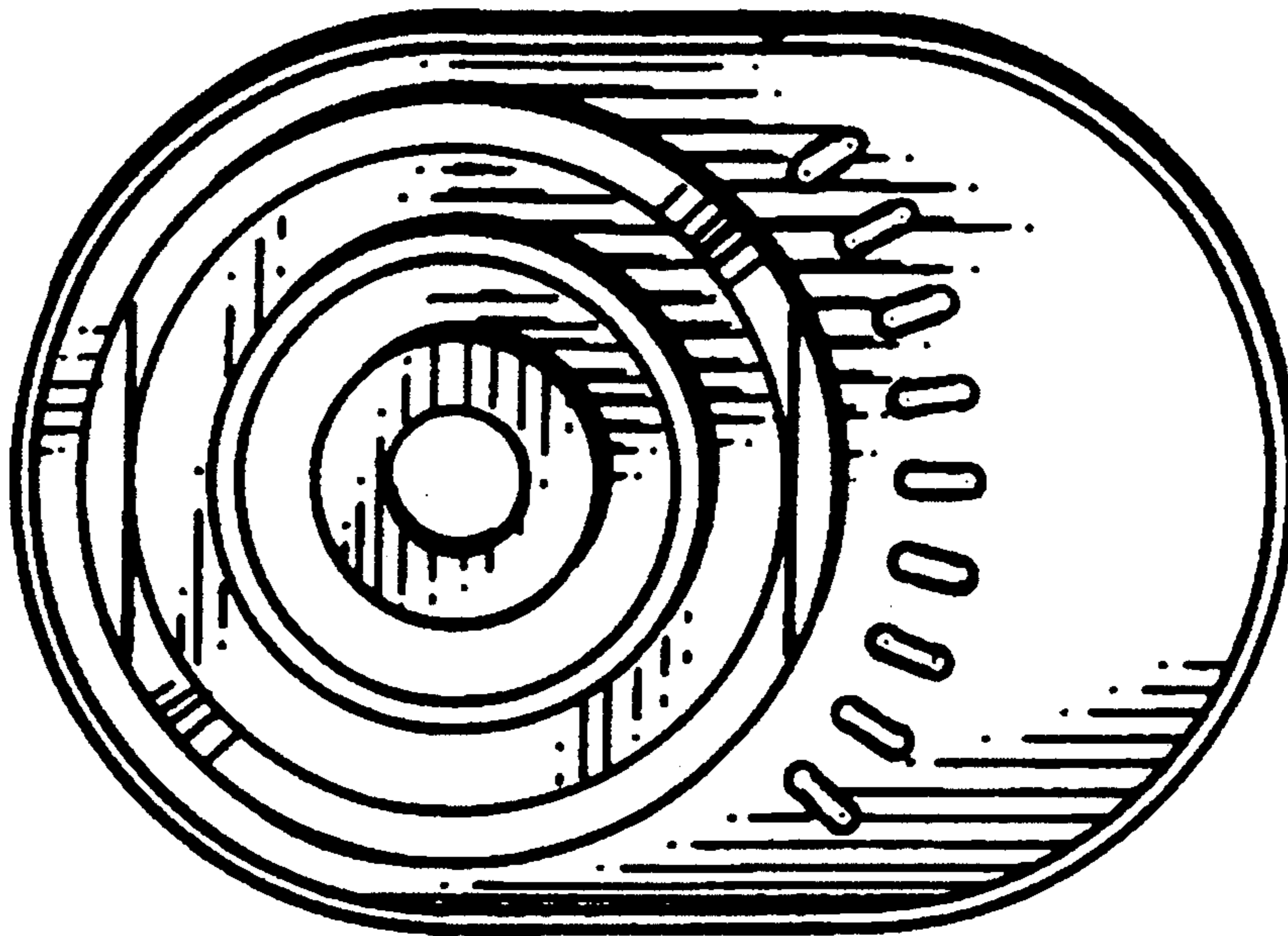
Attorney, Agent, or Firm—Walter C. Vliet

[57] CLAIM

The ornamental design for an extended pneumatic tool, as shown and described.

DESCRIPTION

FIG. 1 is a front elevational view of an extended pneumatic tool showing our new design; FIG. 2 is a left side elevational view; FIG. 3 is a top plan view; FIG. 4 is a bottom plan view; FIG. 5 is a right side elevational view; and FIG. 6 is a rear elevational view thereof.



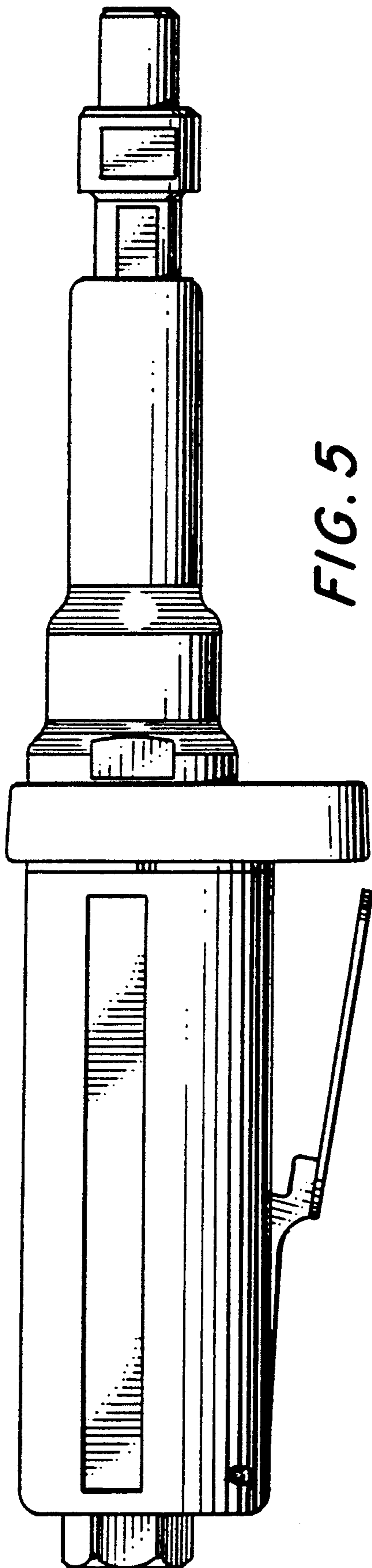


FIG. 1

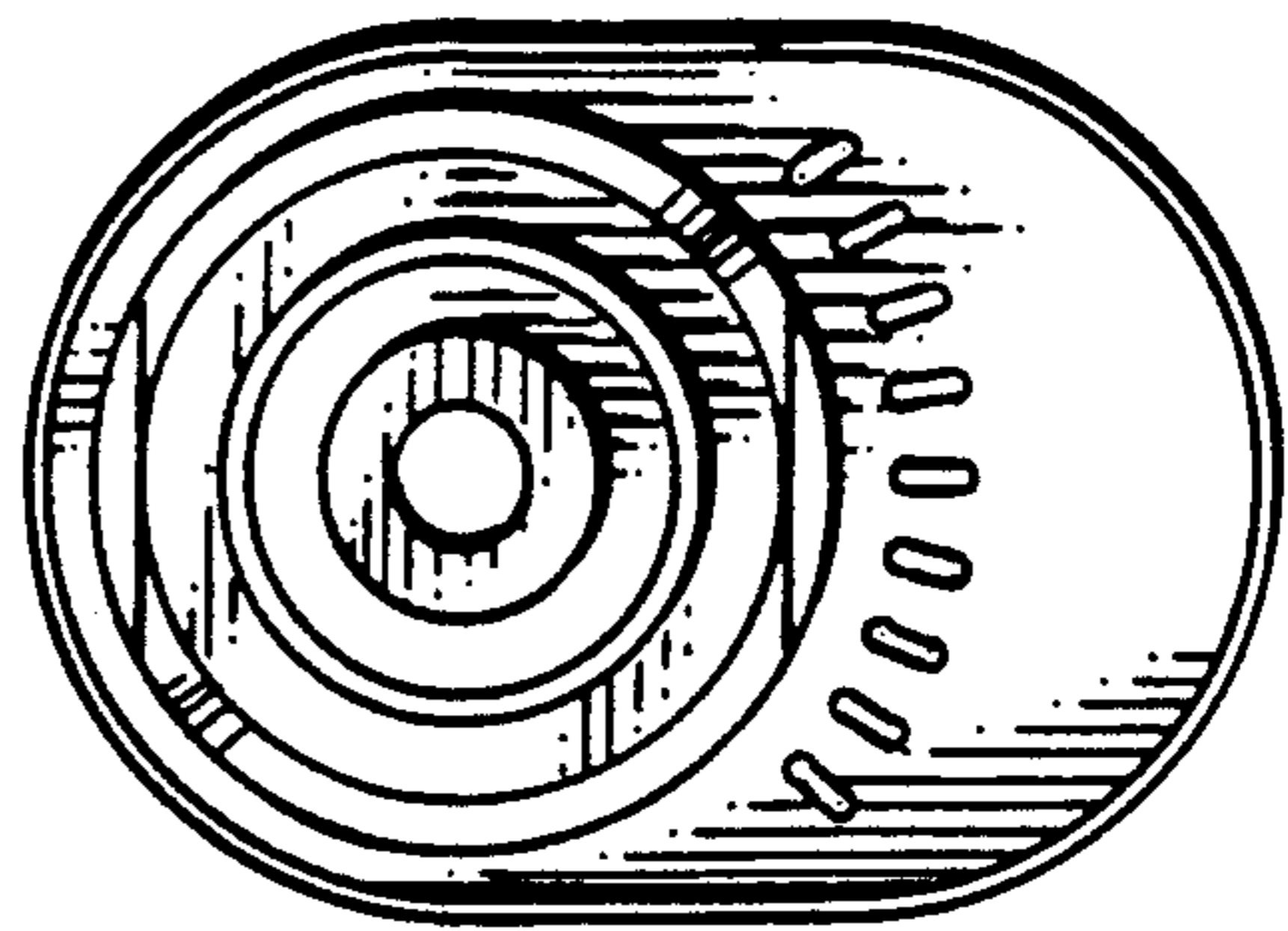
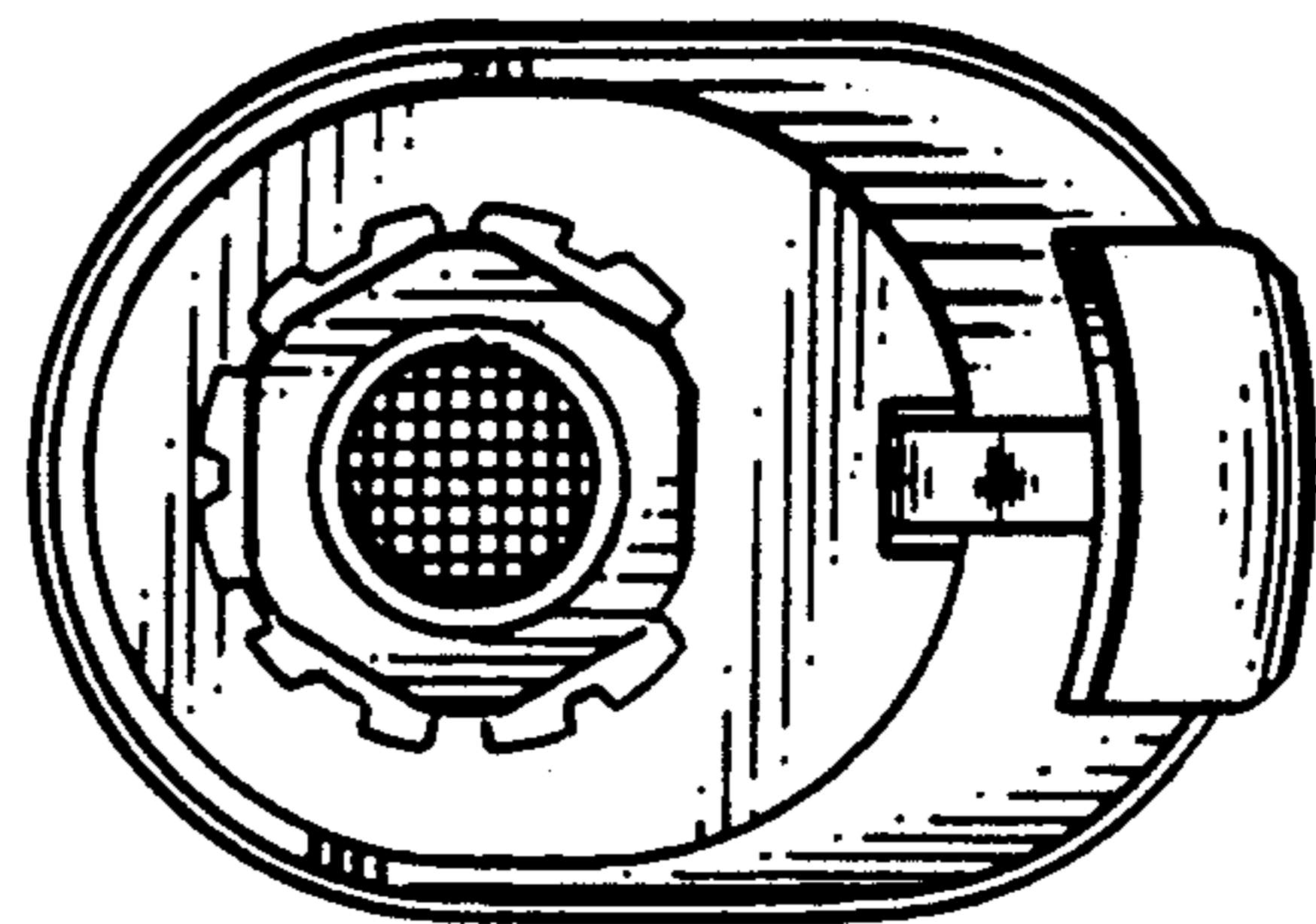


FIG. 6



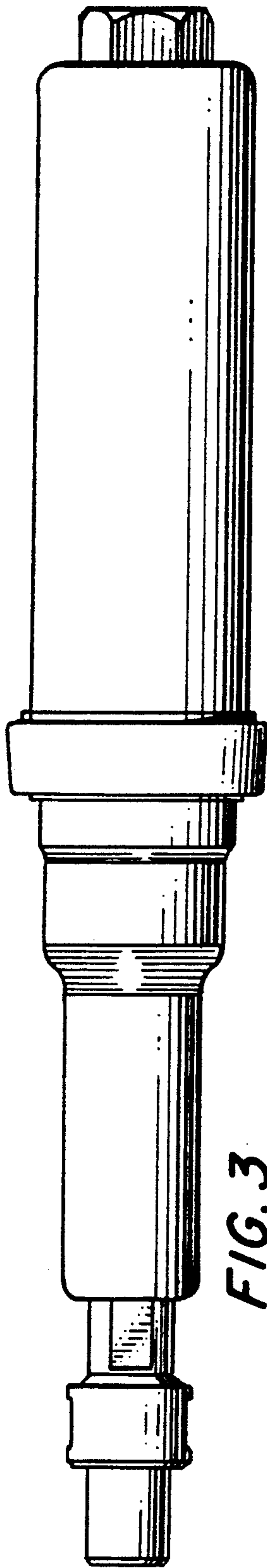


FIG. 3

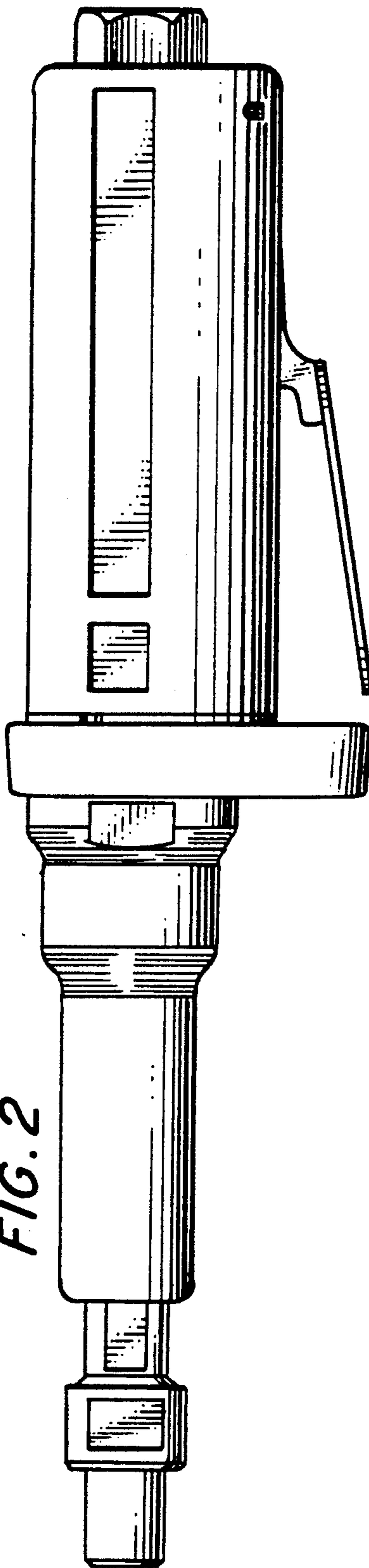


FIG. 2

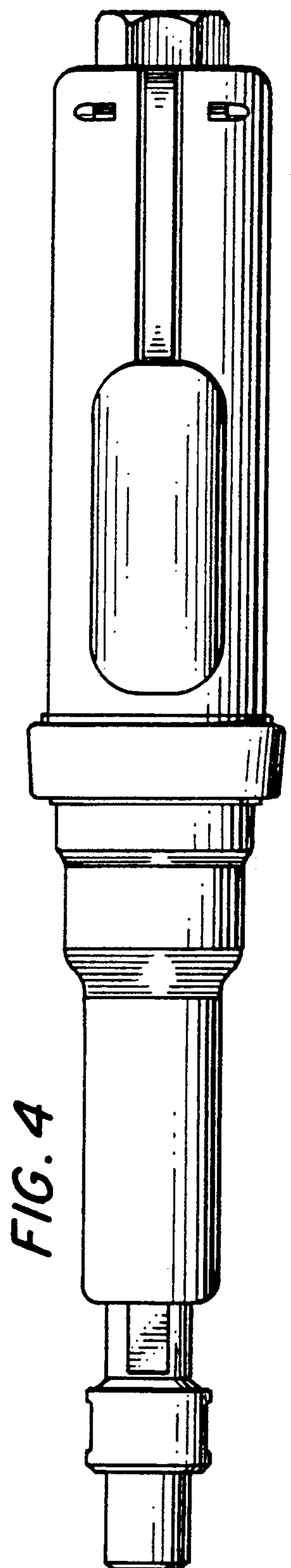


FIG. 4