

[54] **OIL PLATE REMOVER**
 [76] **Inventor: Brian Hamilton, 8469 Spring Park Rd., Moundsview, Minn. 55432**
 [**] **Term: 14 Years**
 [21] **Appl. No.: 231,987**
 [22] **Filed: Aug. 15, 1988**
 [52] **U.S. Cl. D8/27; D8/14; D8/21**
 [58] **Field of Search D8/27, 59, 72, 321, D8/309, 313, 1, 45; D4/138; 29/282, 263, 265, 266; 269/130, 221, 224, 287**

3,055,093 9/1962 Ruble 29/265
 3,276,298 10/1966 Frank 81/75
 3,599,311 3/1969 Ellis 29/266 X
 3,688,381 9/1972 Shiflet 29/266 X
 3,731,560 5/1973 Bares 81/90 C
 4,104,935 8/1978 Stoops 81/177.2

Primary Examiner—Bruce W. Dunkins
Assistant Examiner—Monica Hannon
Attorney, Agent, or Firm—Steven E. Kahm

[57] **CLAIM**

The ornamental design for an oil plate remover, as shown and described.

DESCRIPTION

FIG. 1 is a top plan view of the oil plate remover showing the new design;
 FIG. 2 is a front plan view thereof, the opposite side being a mirror image;
 FIG. 3 is a side elevation view thereof, the opposite side being a mirror image;
 FIG. 4 is a perspective view thereof;
 FIG. 5 is a bottom plan view;
 FIG. 6 is an alternate perspective view of the oil plate remover, an oil plate being shown therein in dot-dash lines for illustrative purposes only.

[56] **References Cited**

U.S. PATENT DOCUMENTS

D. 122,367 9/1940 Bechtel D8/18
 D. 232,908 9/1974 Kaplan D8/59
 D. 237,858 12/1975 Seminario D8/59
 D. 290,219 6/1987 Boone D8/45
 1,384,705 7/1921 Meyer 81/176.3
 1,606,250 11/1926 Lavold 81/176.1
 2,313,105 3/1943 Walls 29/271
 2,650,419 9/1953 Barbisch 29/282 X
 2,881,648 4/1959 Hottle 81/90
 3,043,171 7/1962 Lederer 81/90

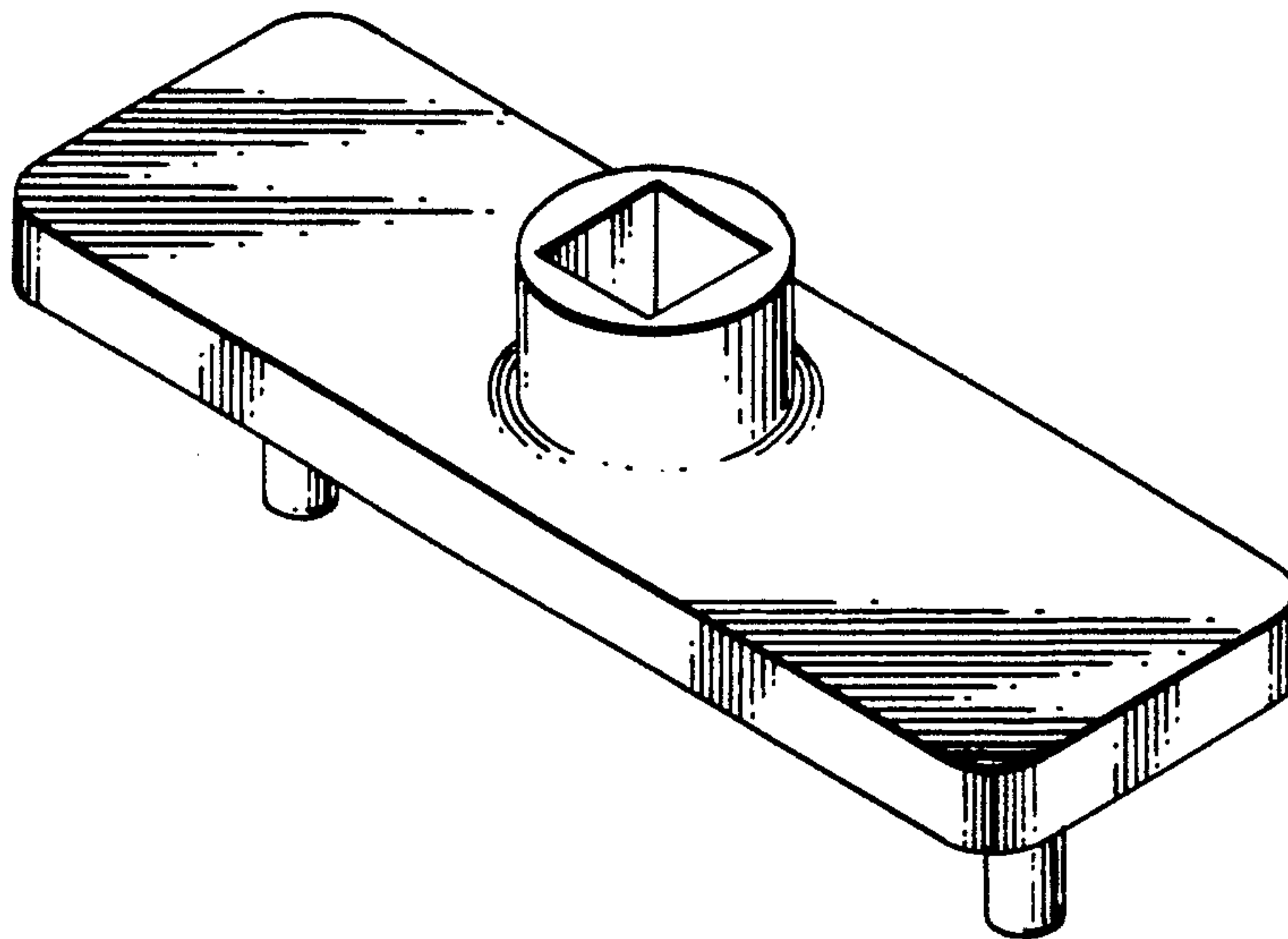


FIG. 1

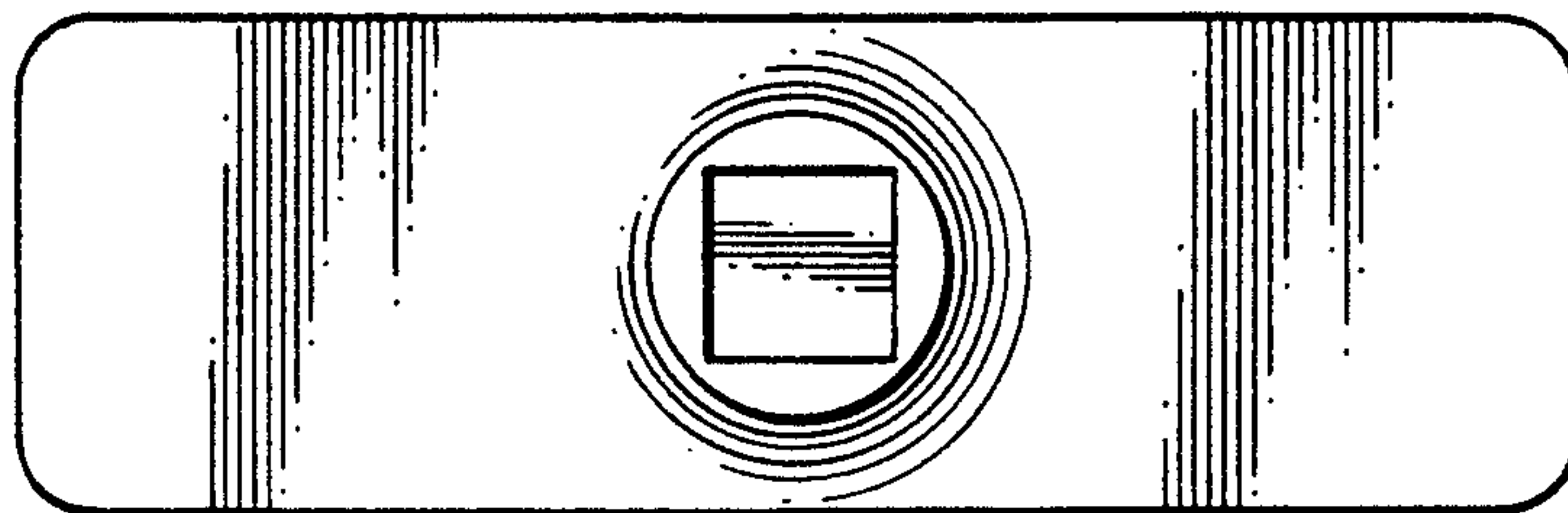


FIG. 2

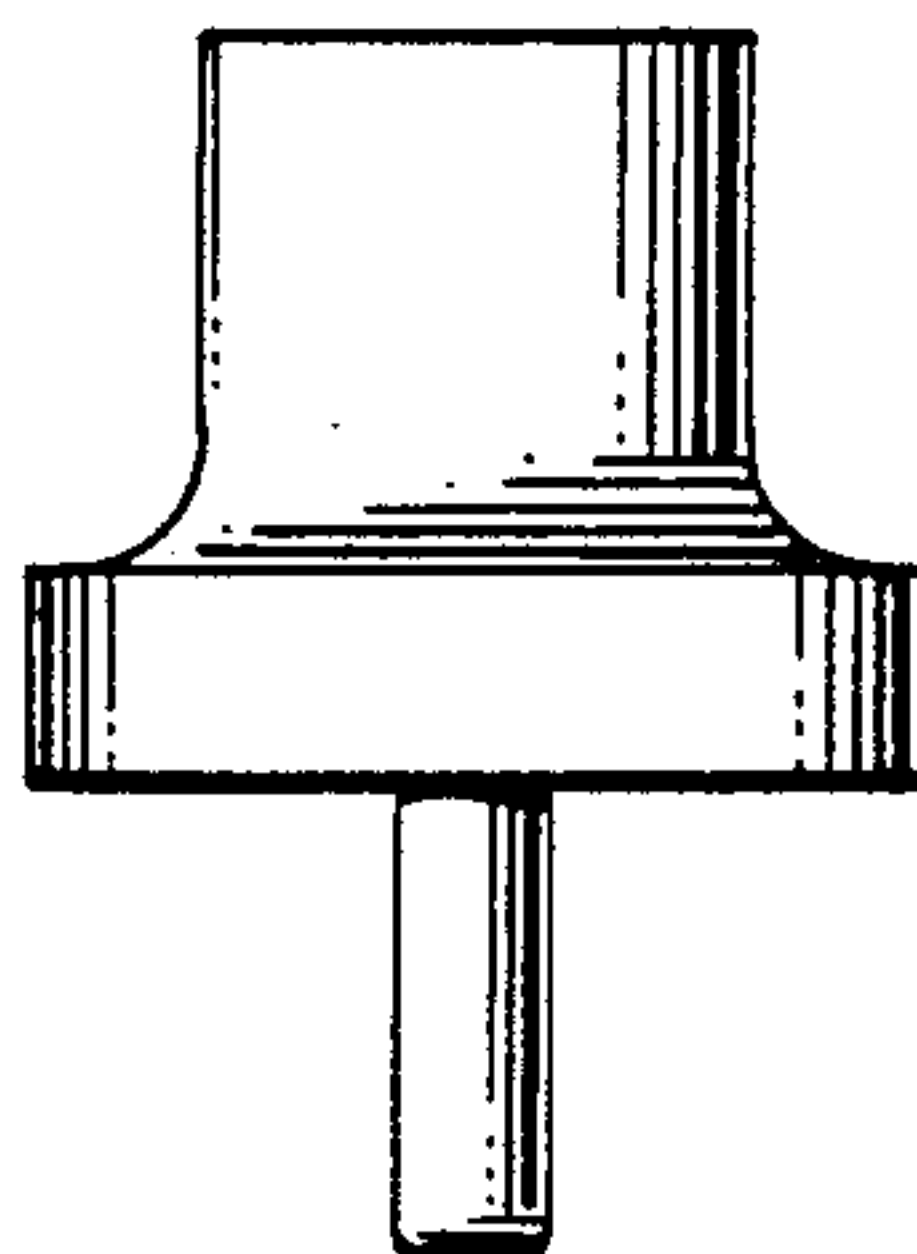
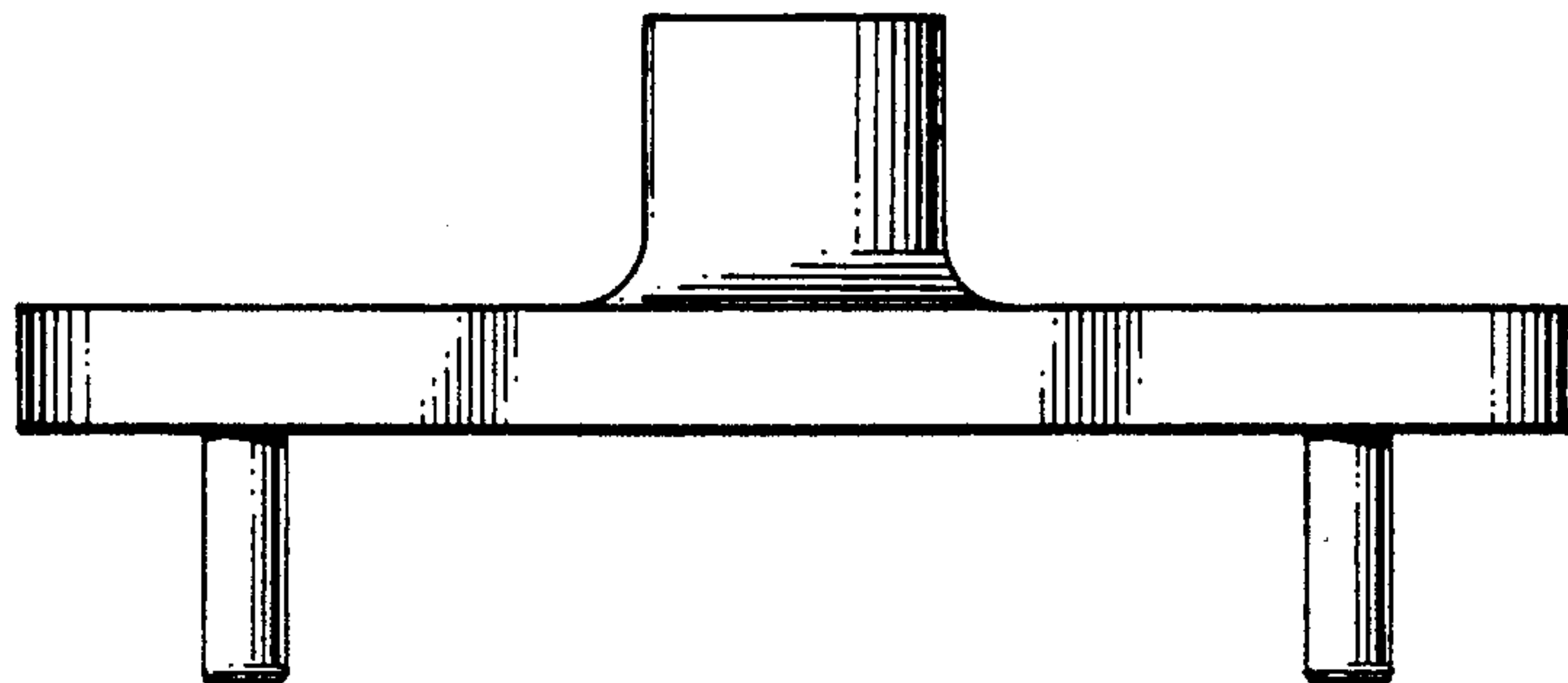


FIG. 3

FIG. 4

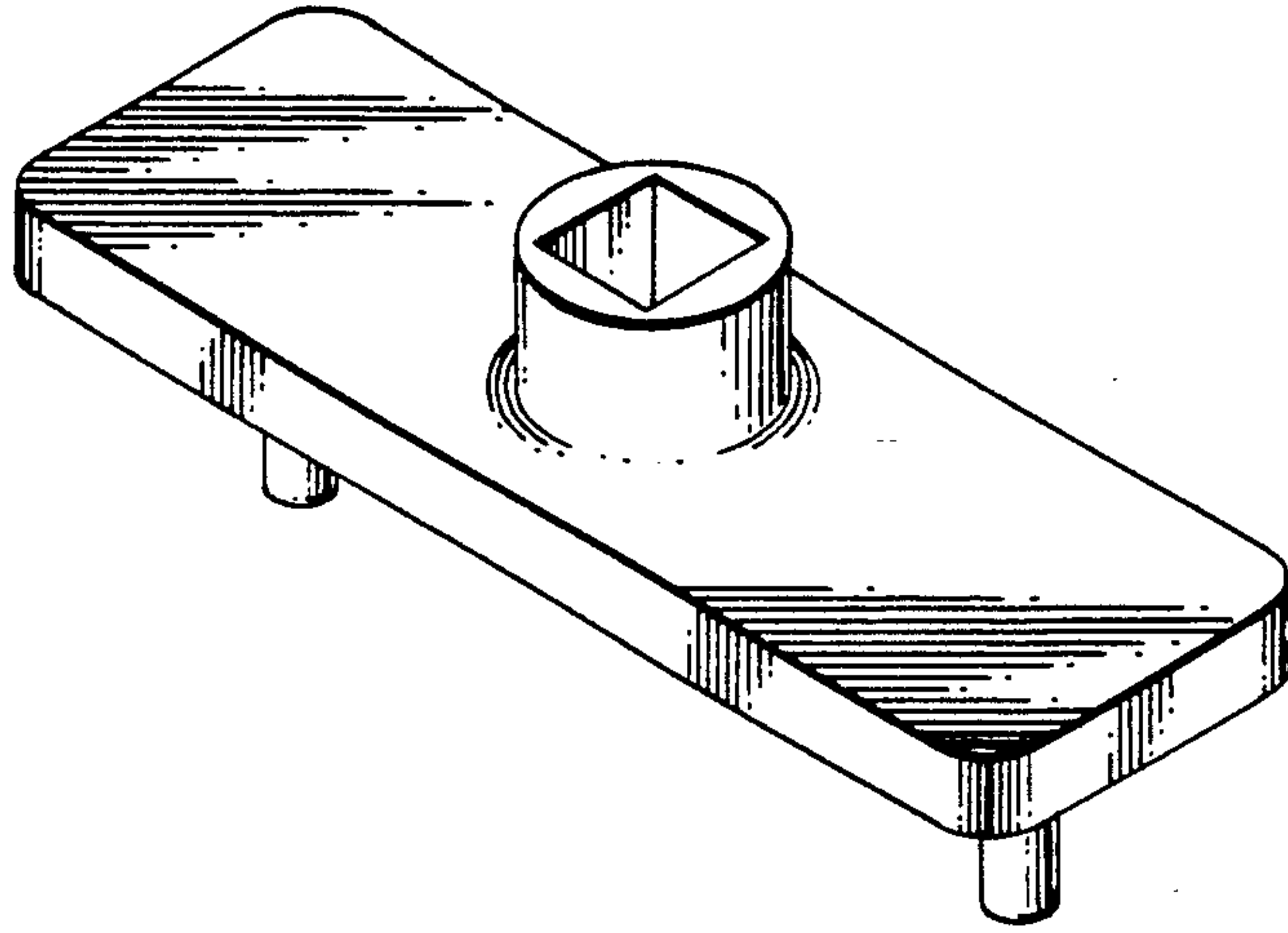


FIG. 5

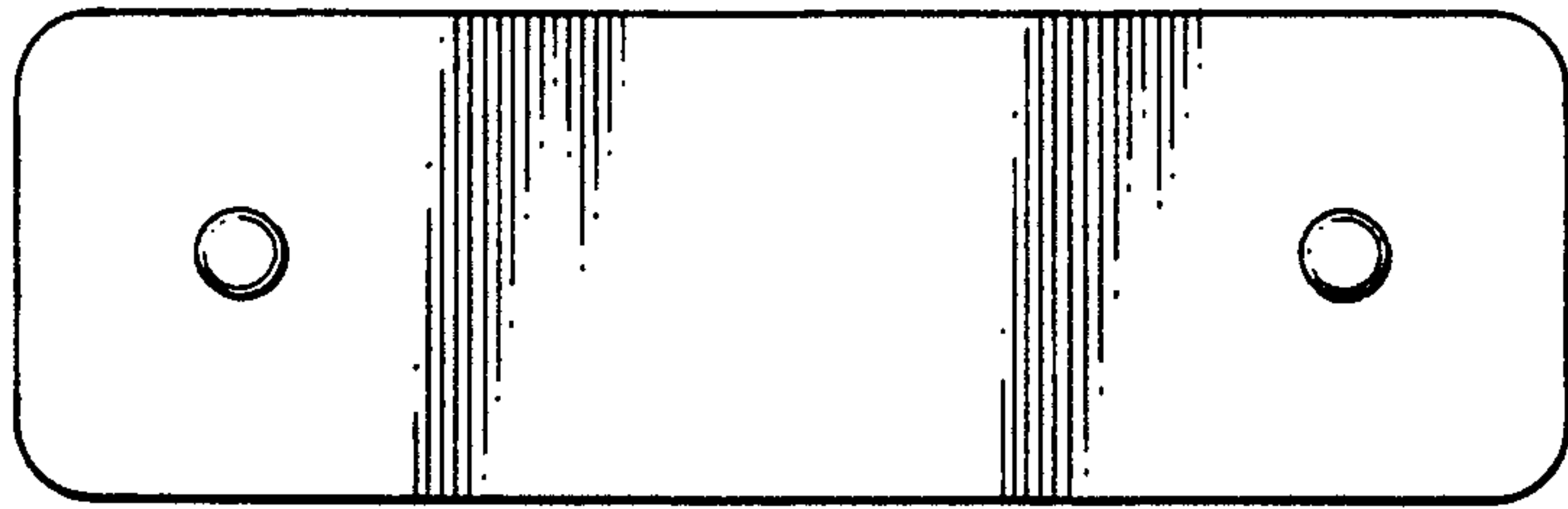


FIG. 6

