

[54] **UNDERWATER FLOWER CUTTER**

[76] **Inventor: James W. Myrland, 561 Hickory Ct., Verona, Wis. 53593**

[\*\*] **Term: 14 Years**

[21] **Appl. No.: 588,965**

[22] **Filed: Sep. 27, 1990**

**Related U.S. Application Data**

[63] Continuation of Ser. No. 189,597, May 2, 1988, abandoned.

[52] **U.S. Cl. .... D8/1**

[58] **Field of Search .... D8/1, 7, 8; 47/1.01, 47/59, 63; 294/66.1; 30/165, 278, 280, 1, 92, 109, 111-113, 116, 272.1, 273, 279.4, 286, 288-290, 296.1**

[56] **References Cited**

**U.S. PATENT DOCUMENTS**

452,626	5/1891	Walker .....	30/109
2,521,854	9/1950	King .....	30/109
4,697,488	10/1987	Cole .....	30/116 X
4,837,931	6/1989	Beermann .....	30/278 X

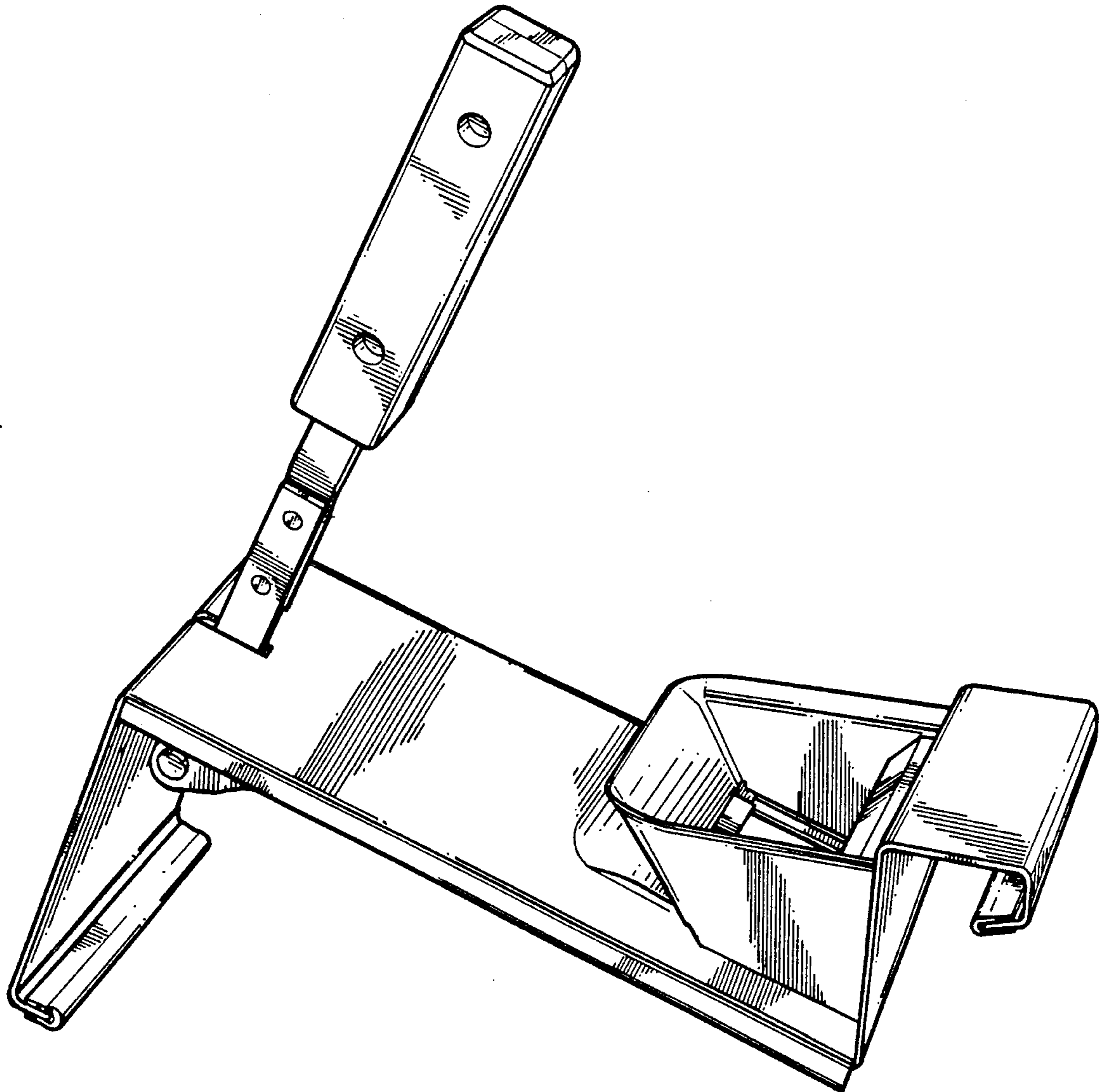
*Primary Examiner*—Wallace R. Burke  
*Assistant Examiner*—H. Baynham  
*Attorney, Agent, or Firm*—Witherspoon & Hargest

[57] **CLAIM**

The ornamental design for an underwater flower cutter, as shown and described.

**DESCRIPTION**

FIG. 1 is a side elevational view of an underwater flower cutter showing my new design; FIG. 2 is a top perspective view thereof; FIG. 3 is a bottom perspective view thereof; and FIG. 4 is a front elevational view thereof.



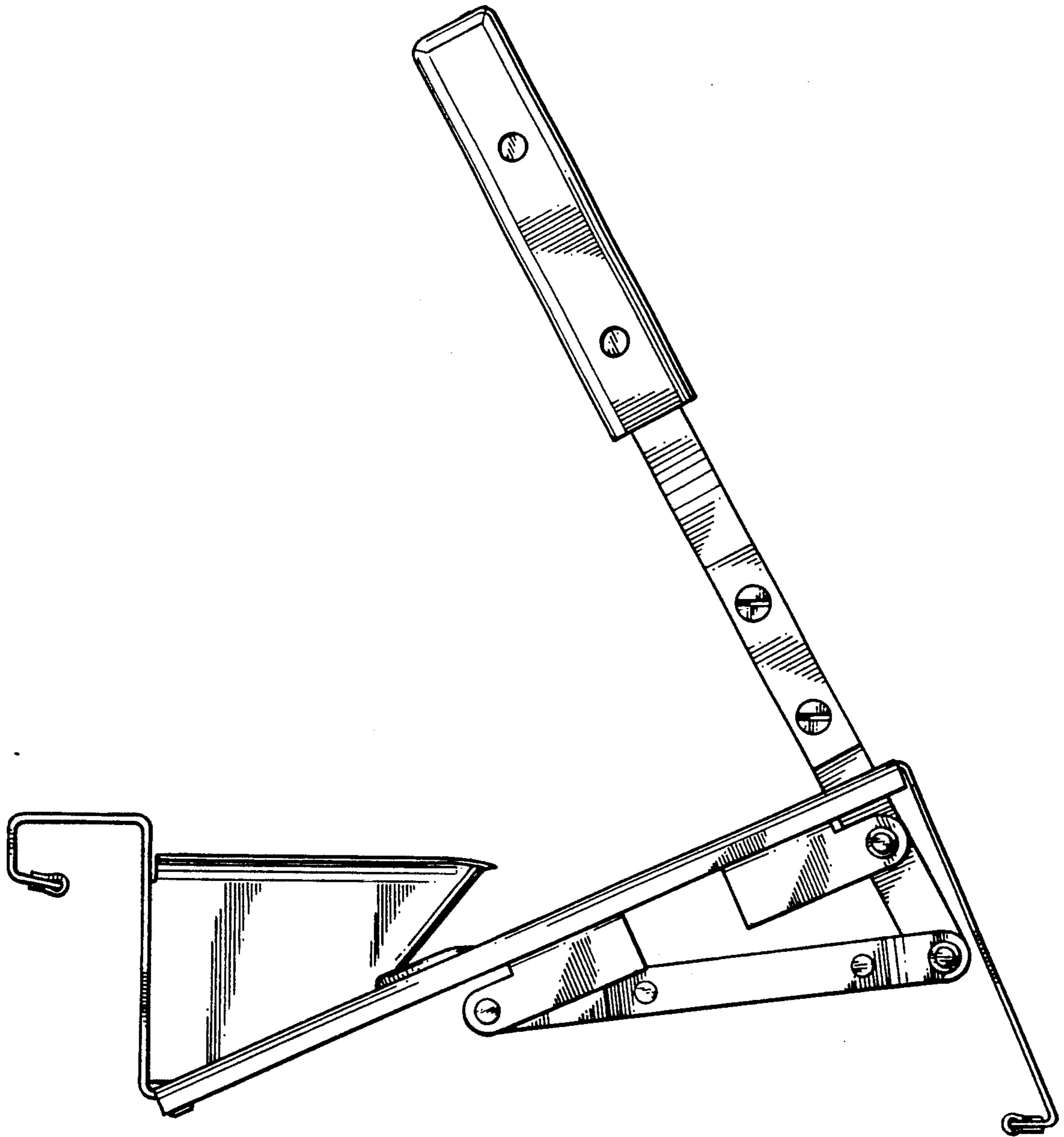


FIG. 1

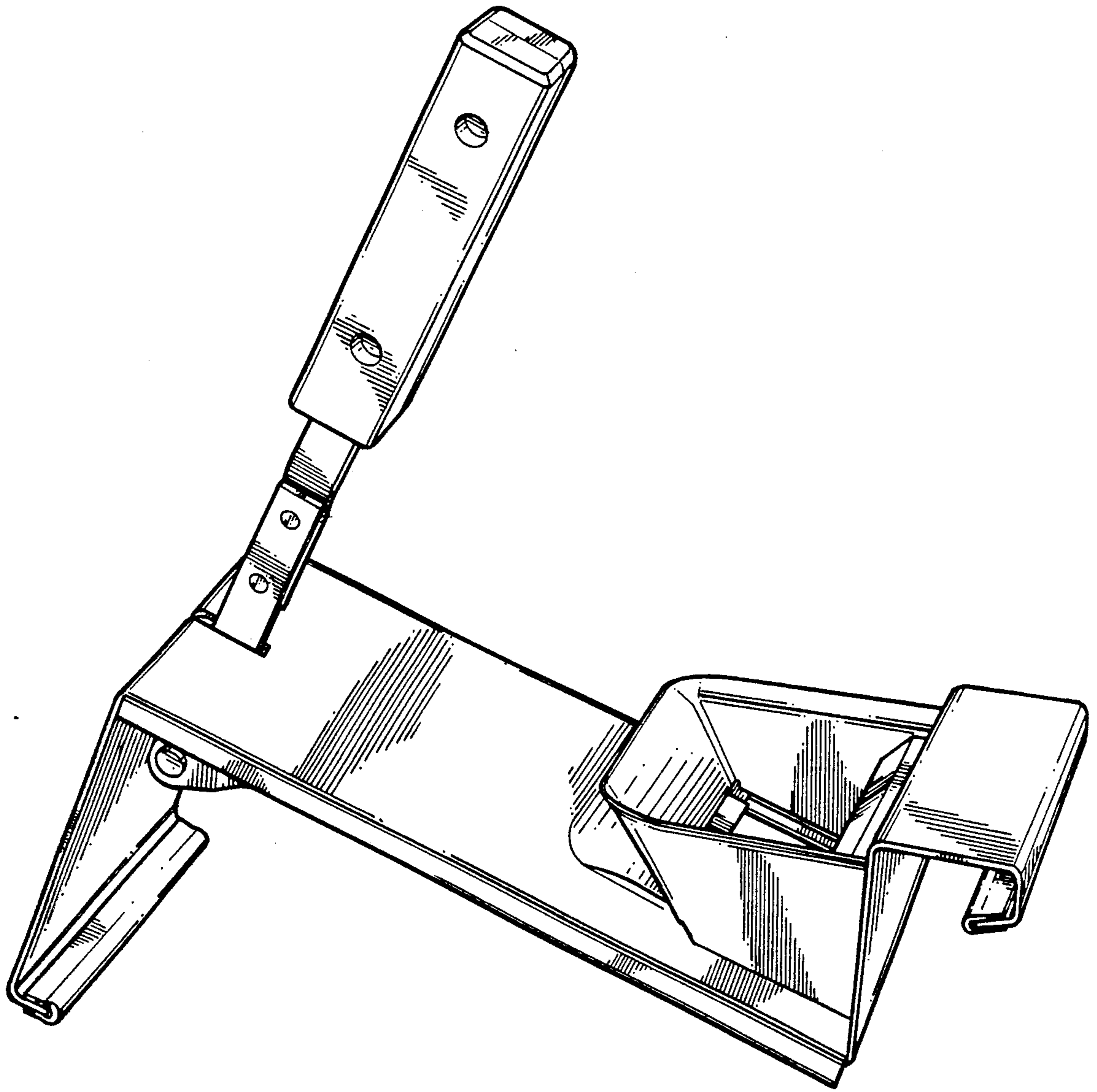


FIG. 2



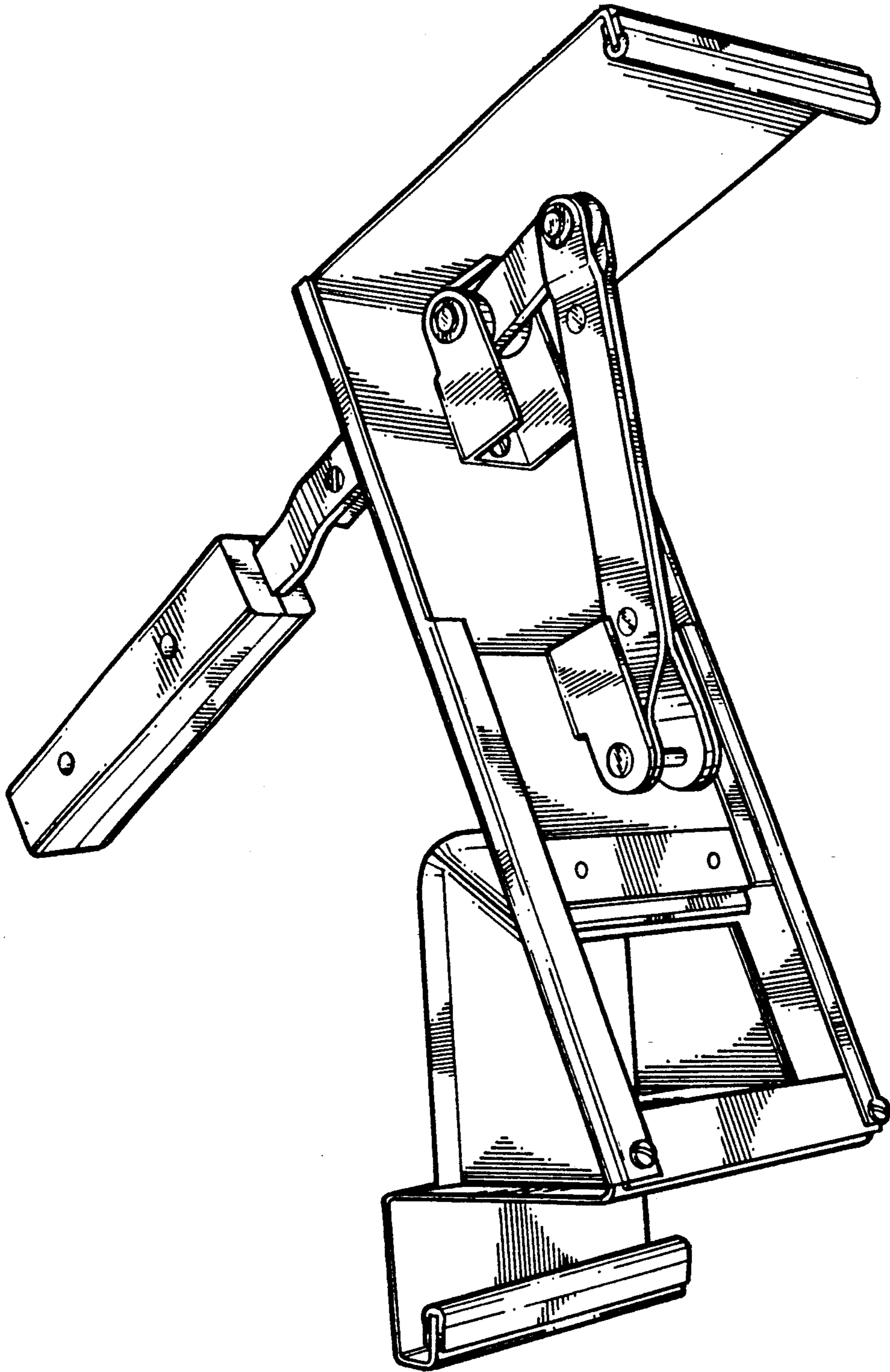


FIG. 3

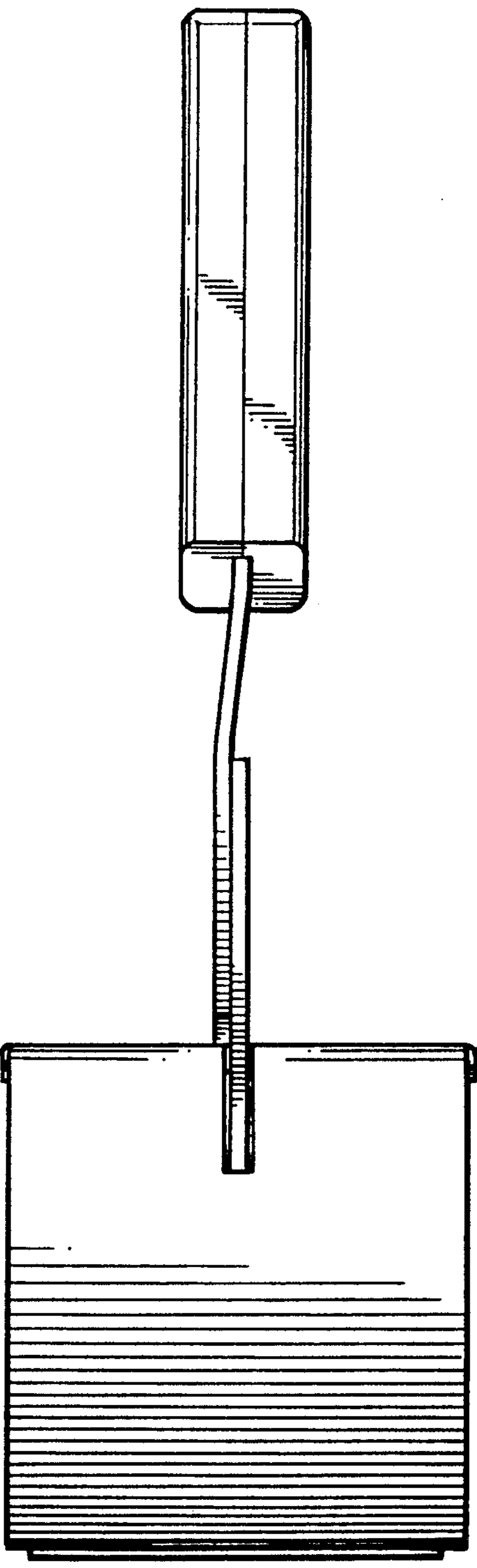


FIG. 4