

[54] INSULATED BOTTLE

[75] Inventor: W. Henry Kahl, Wooster, Ohio
[73] Assignee: Rubbermaid Incorporated, Wooster, Ohio
[**] Term: 14 Years

[21] Appl. No.: 385,169

[22] Filed: Jul. 25, 1989

[52] U.S. Cl. D7/608; D7/510; D9/396

[58] Field of Search D7/605-608, D7/510; D9/396, 399, 337; D12/158; 215/229, 1 A, 1 R, 1 C; 220/DIG. 31; 62/457.1, 457.3, 457.9

[56] References Cited

U.S. PATENT DOCUMENTS

3,840,153 10/1974 Devlin 62/457.1 X
4,981,022 1/1991 Snyder 62/457.1 X

OTHER PUBLICATIONS

Packaging Label, Harmony Containers, address unknown, publication date unknown, bottle with straw. Sell Sheet, Tapour Corporation, 1601 Forest, Kansas City, MO 64108, publication date unknown, bottle with straw.

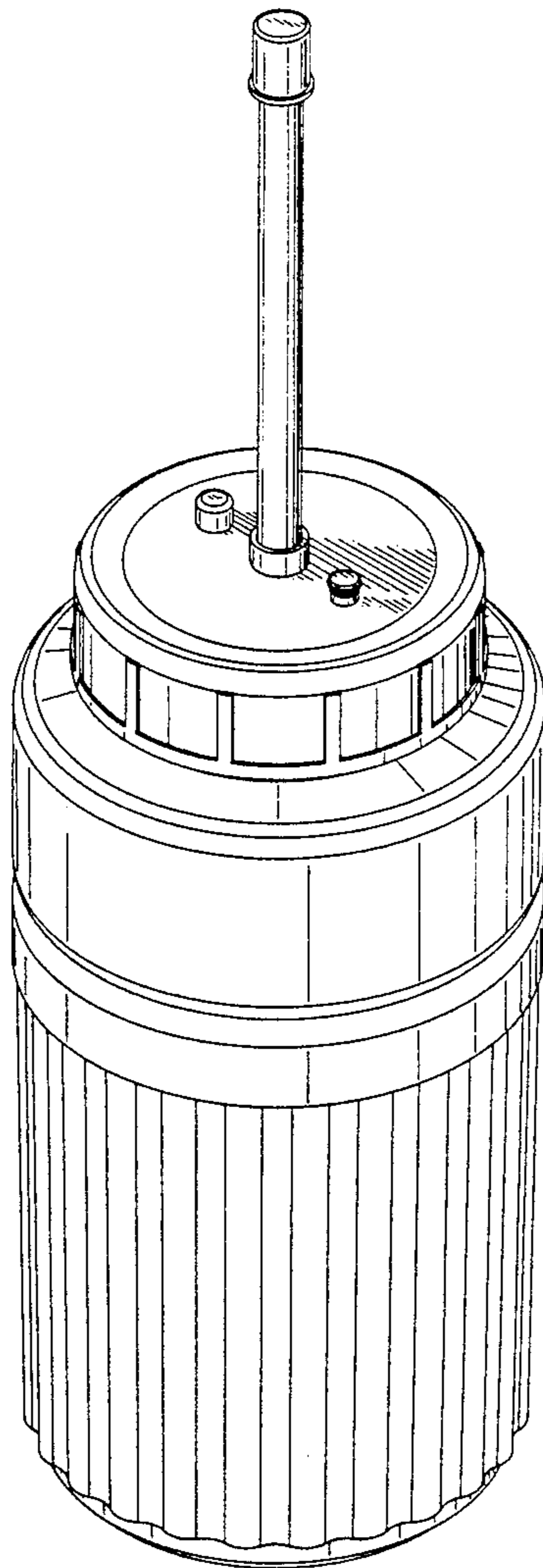
Primary Examiner—Terry A. Pfeffer
Attorney, Agent, or Firm—Richard B. O'Planick

[57] CLAIM

The ornamental design for an insulated bottle, as shown and described.

DESCRIPTION

FIG. 1 is a front perspective view of an insulated bottle showing my new design.
FIG. 2 is a front elevational view thereof; the rear elevational view being a mirror image.
FIG. 3 is a right side elevational view thereof.
FIG. 4 is a left side elevational view thereof.
FIG. 5 is a top plan view thereof.
FIG. 6 is a bottom plan view thereof.



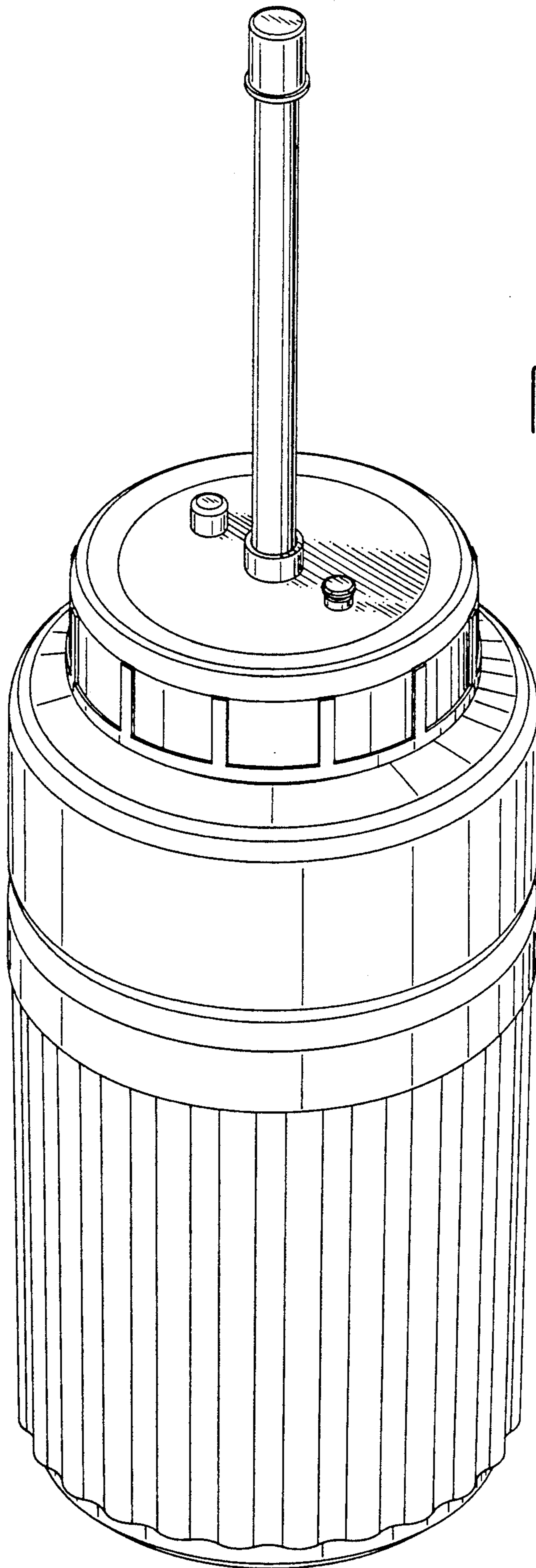


FIG. 1

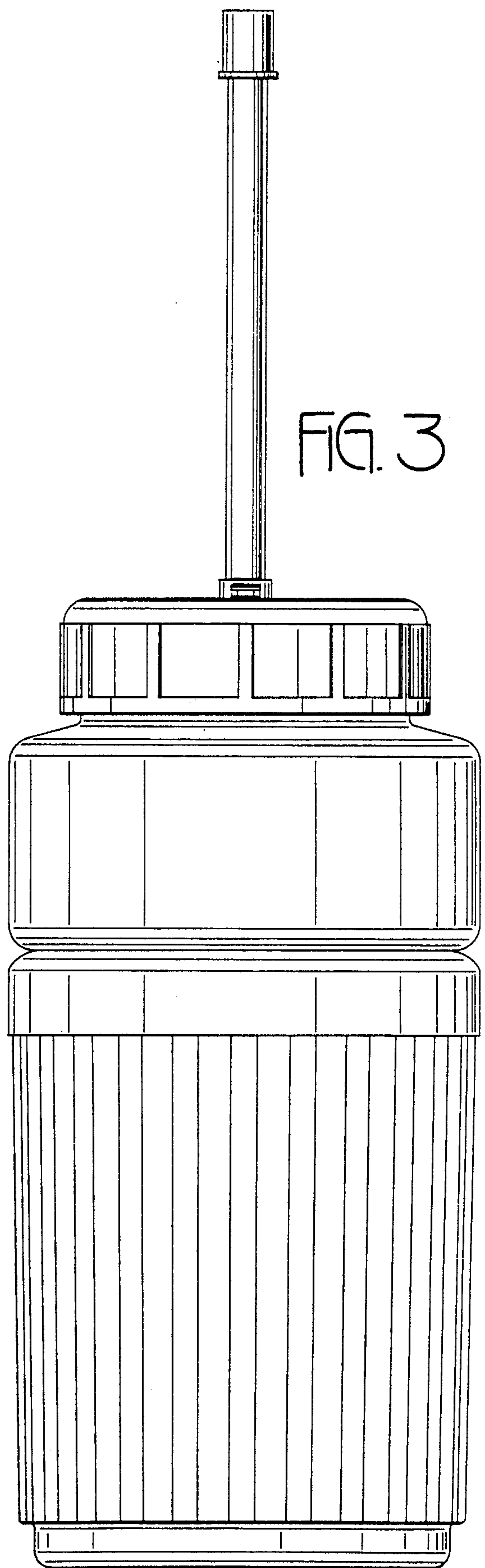
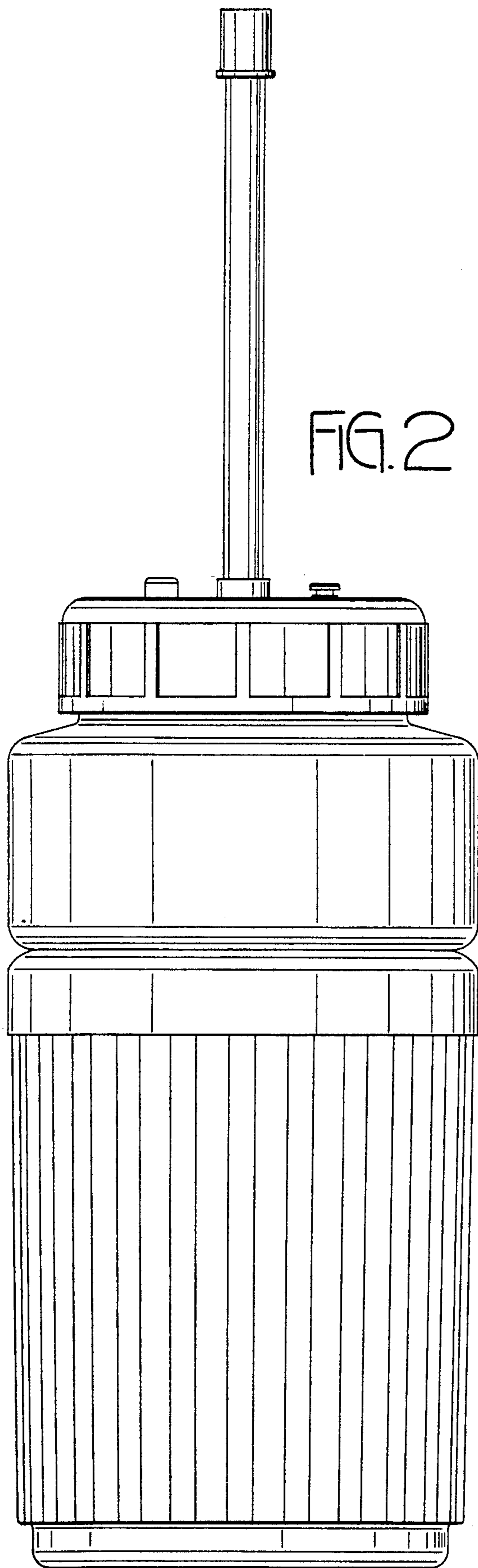


FIG. 4

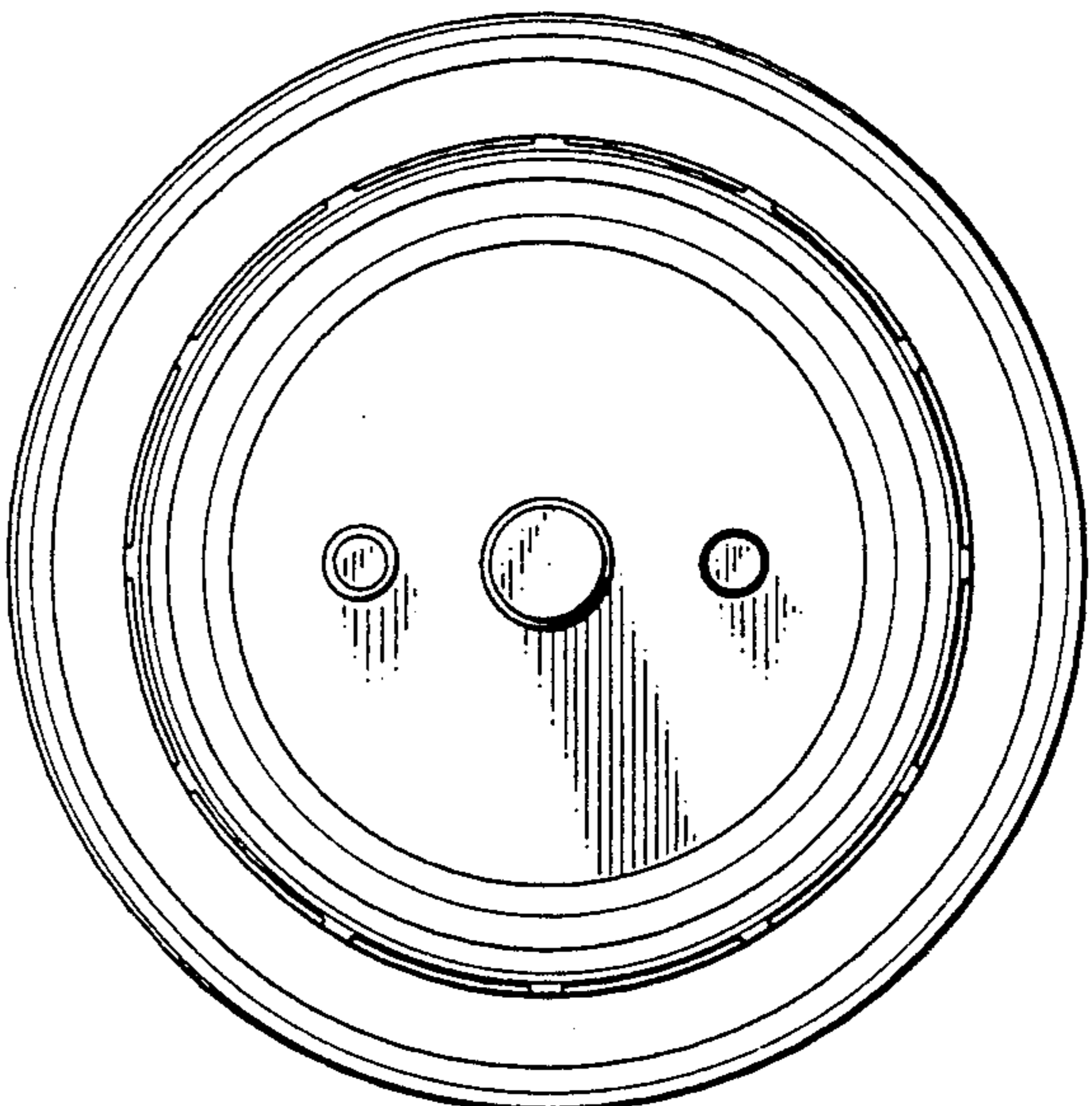
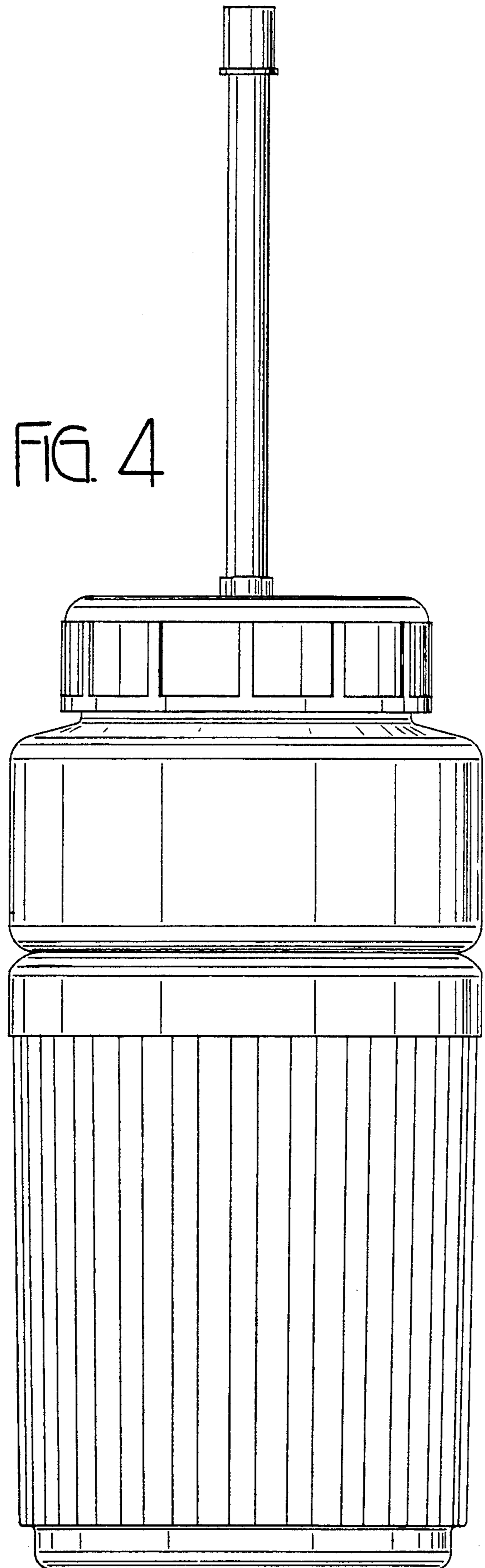


FIG. 5

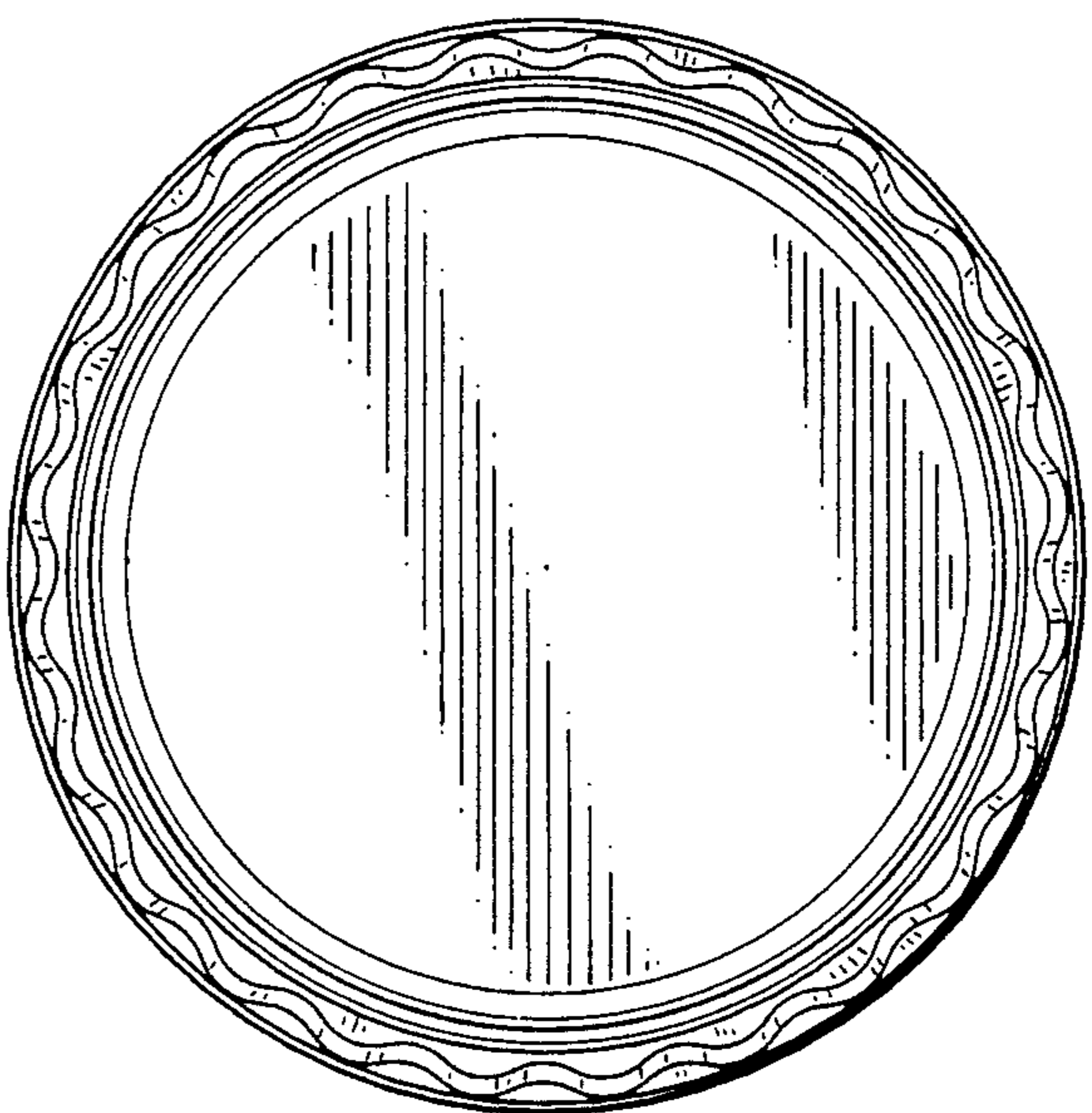


FIG. 6