

[54] DEEP FAT FRYER

[56] References Cited

[75] Inventors: Edward J. Duquaine, Jr., West Bend, Wis.; William C. Cesaroni, Glenview, Ill.

[73] Assignee: The West Bend Company, West Bend, Wis.

[**] Term: 14 Years

[21] Appl. No.: 271,191

[22] Filed: Nov. 14, 1988

[52] U.S. Cl. D7/361; D7/326; D7/536

[58] Field of Search 99/304, 306, 295; D7/326, 361, 354, 356, 536, 400

U.S. PATENT DOCUMENTS

D. 105,314	7/1937	Lacy, Jr.	D7/361
D. 115,412	6/1939	Lacy	D7/361
D. 169,747	6/1953	Hawkins	D7/361 X
D. 246,686	12/1977	Boldt	D7/354
2,587,237	2/1952	Sinaiko	D7/536 X
2,732,787	1/1956	Osborne	99/295 X
2,863,037	12/1958	Johnstone	D7/536 X

Primary Examiner—Winifred E. Herrmann
Attorney, Agent, or Firm—Russell L. McIlwain

[57] CLAIM

The ornamental design for a deep fat fryer, as shown.

DESCRIPTION

FIG. 1 is a front perspective view of a deep fat fryer embodying our new design;

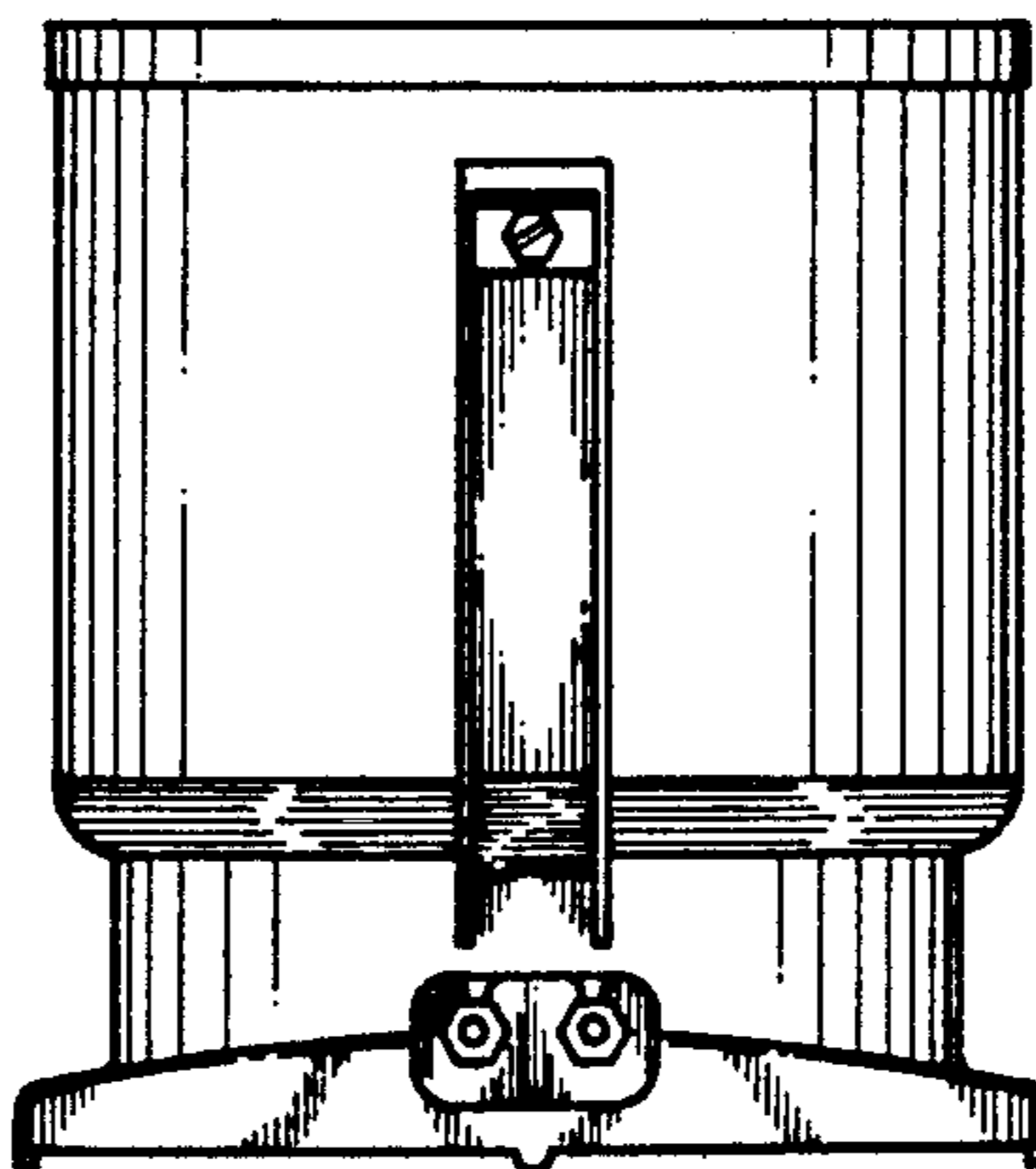
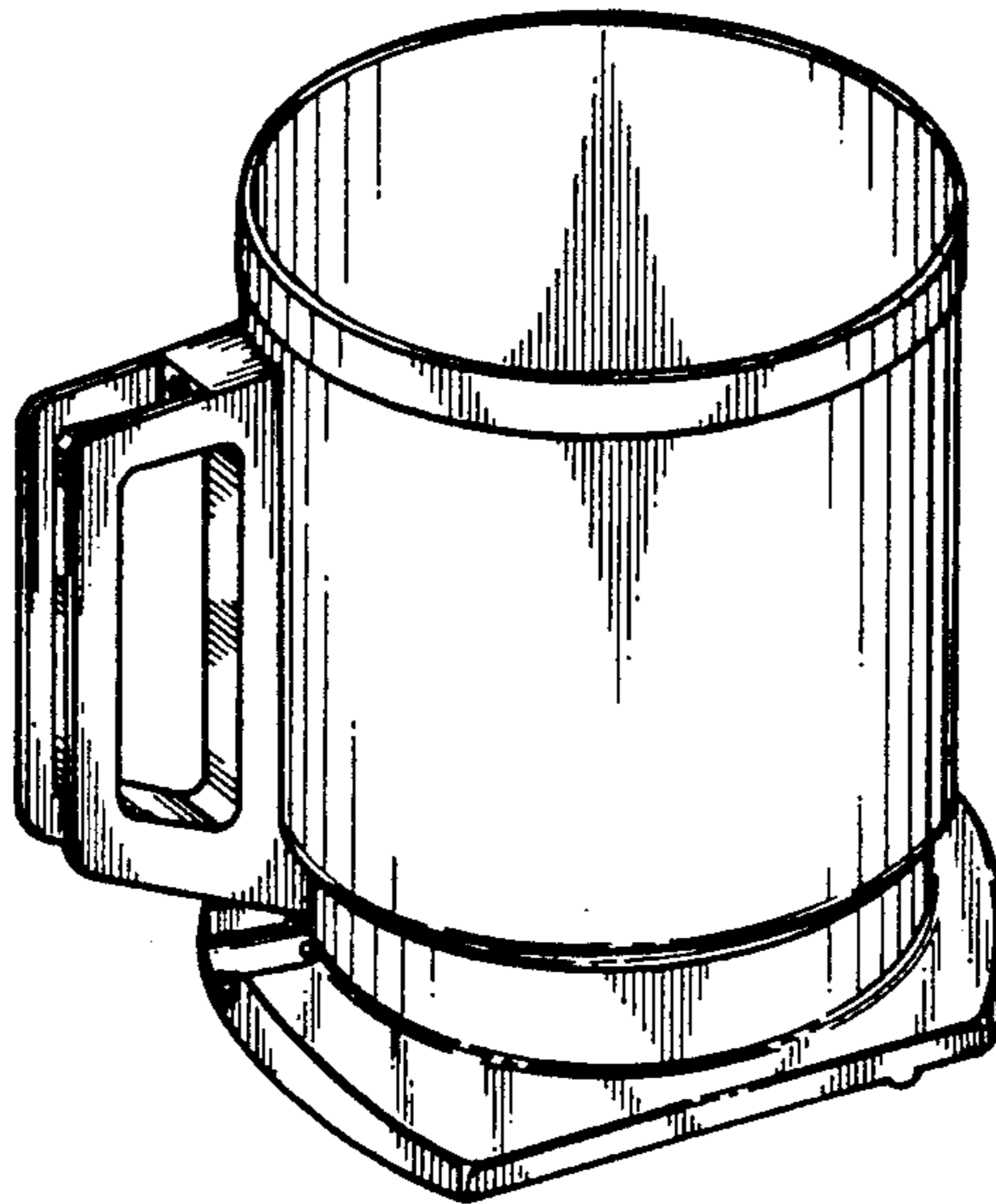
FIG. 2 is a left side elevational view thereof;

FIG. 3 is a rear elevational view thereof;

FIG. 4 is a right side elevational view thereof;

FIG. 5 is a top plan view thereof; and

FIG. 6 is a bottom plan view thereof.



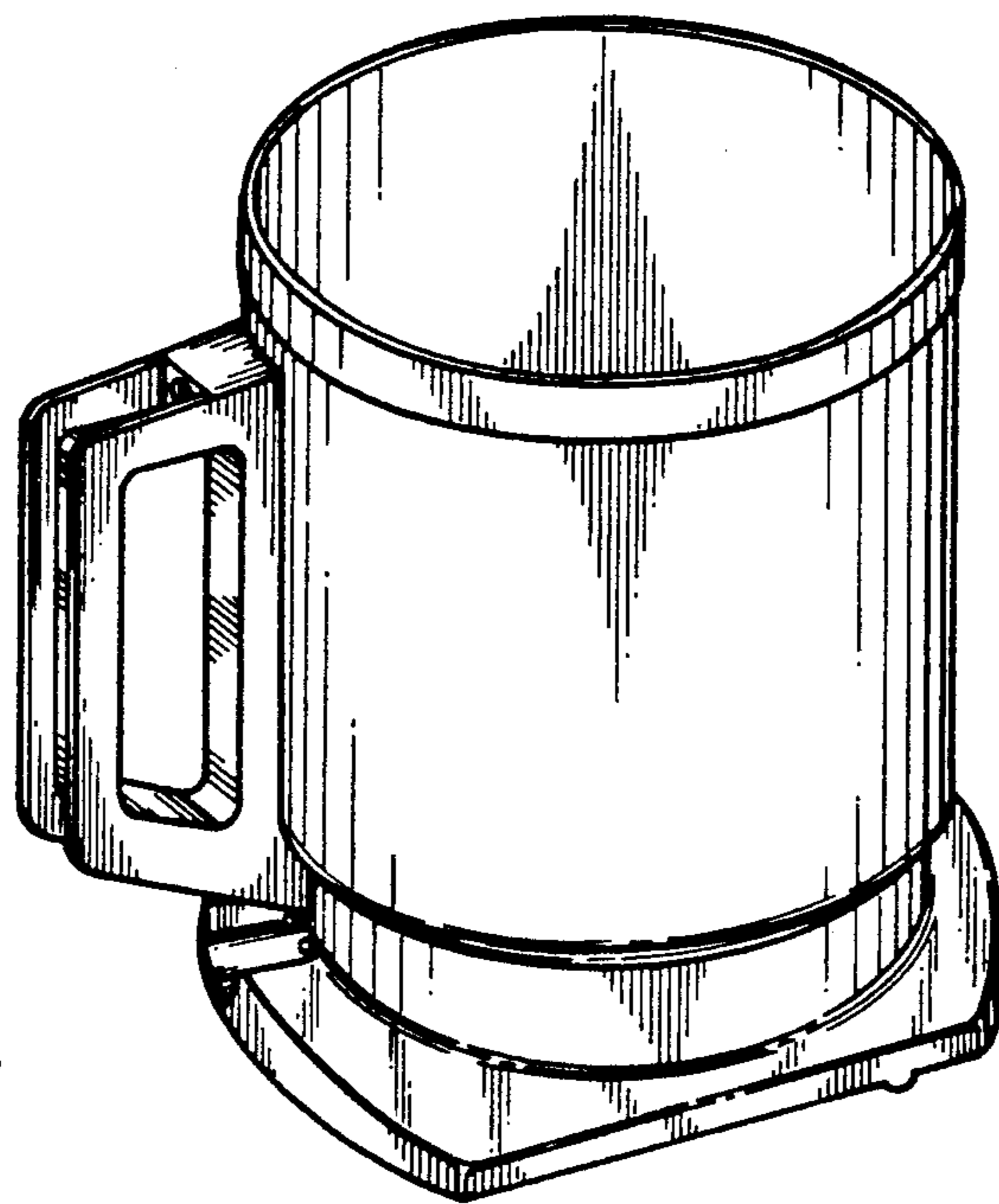


Fig. 1

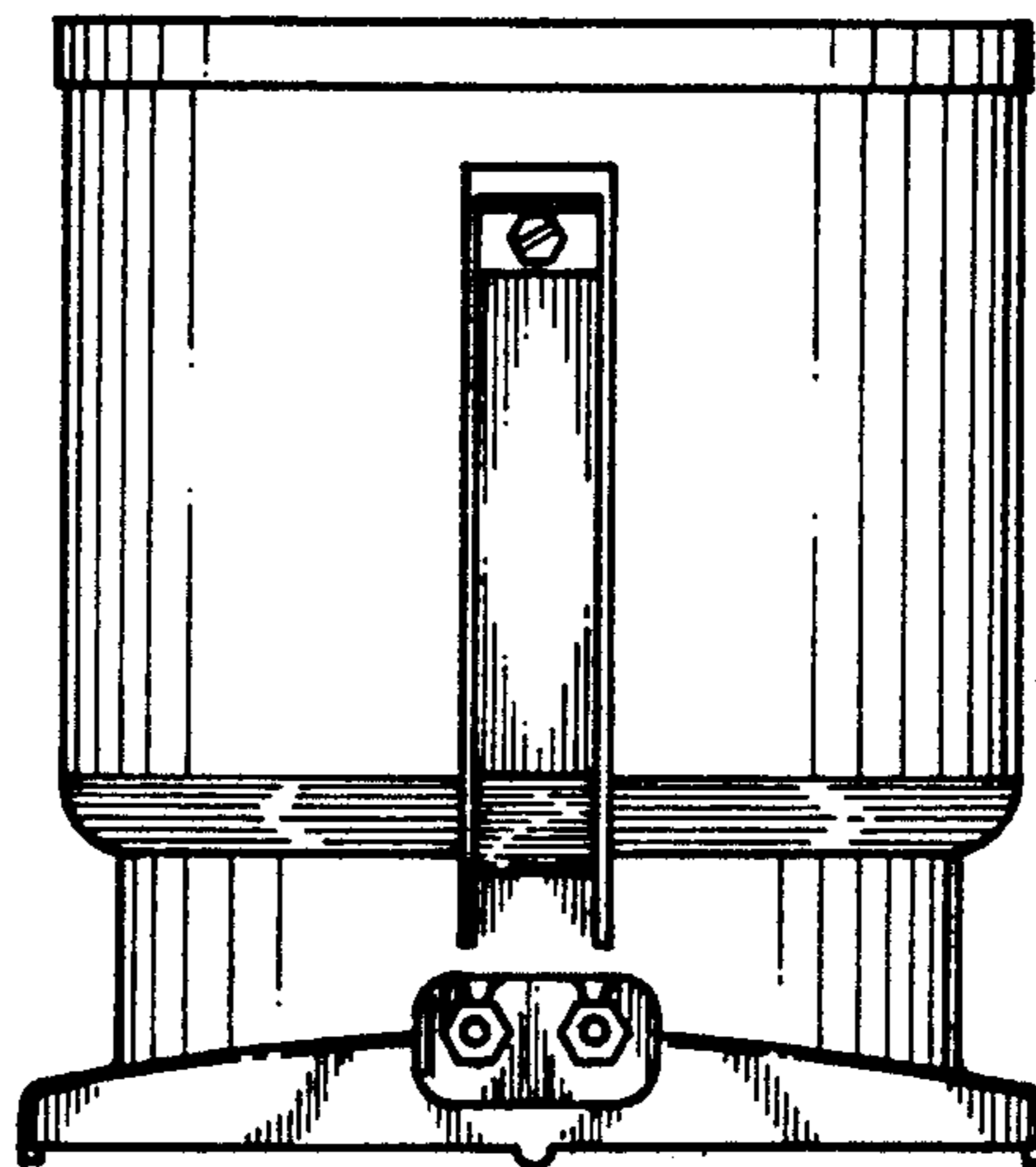


Fig. 2

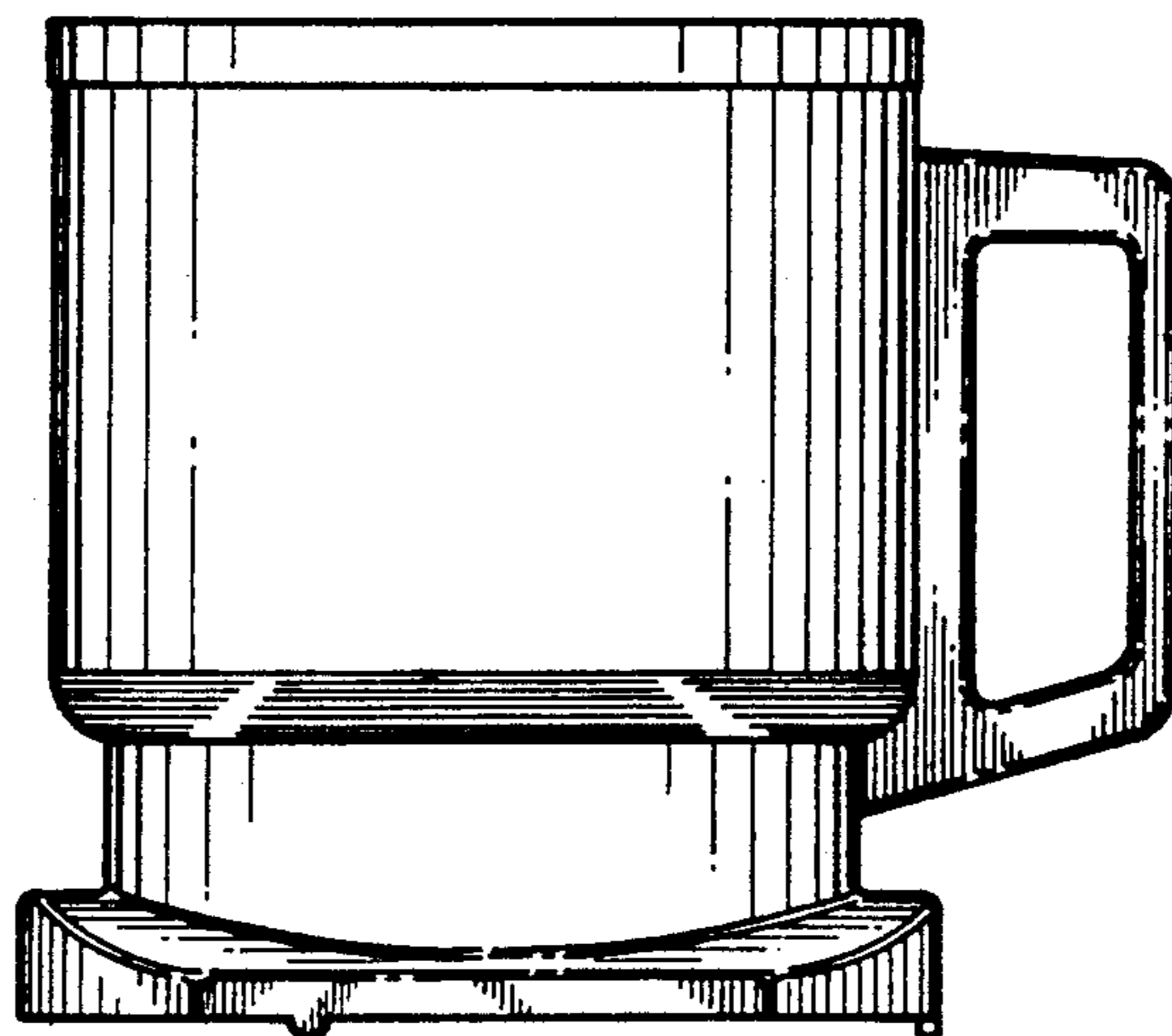


Fig. 3

Fig. 4

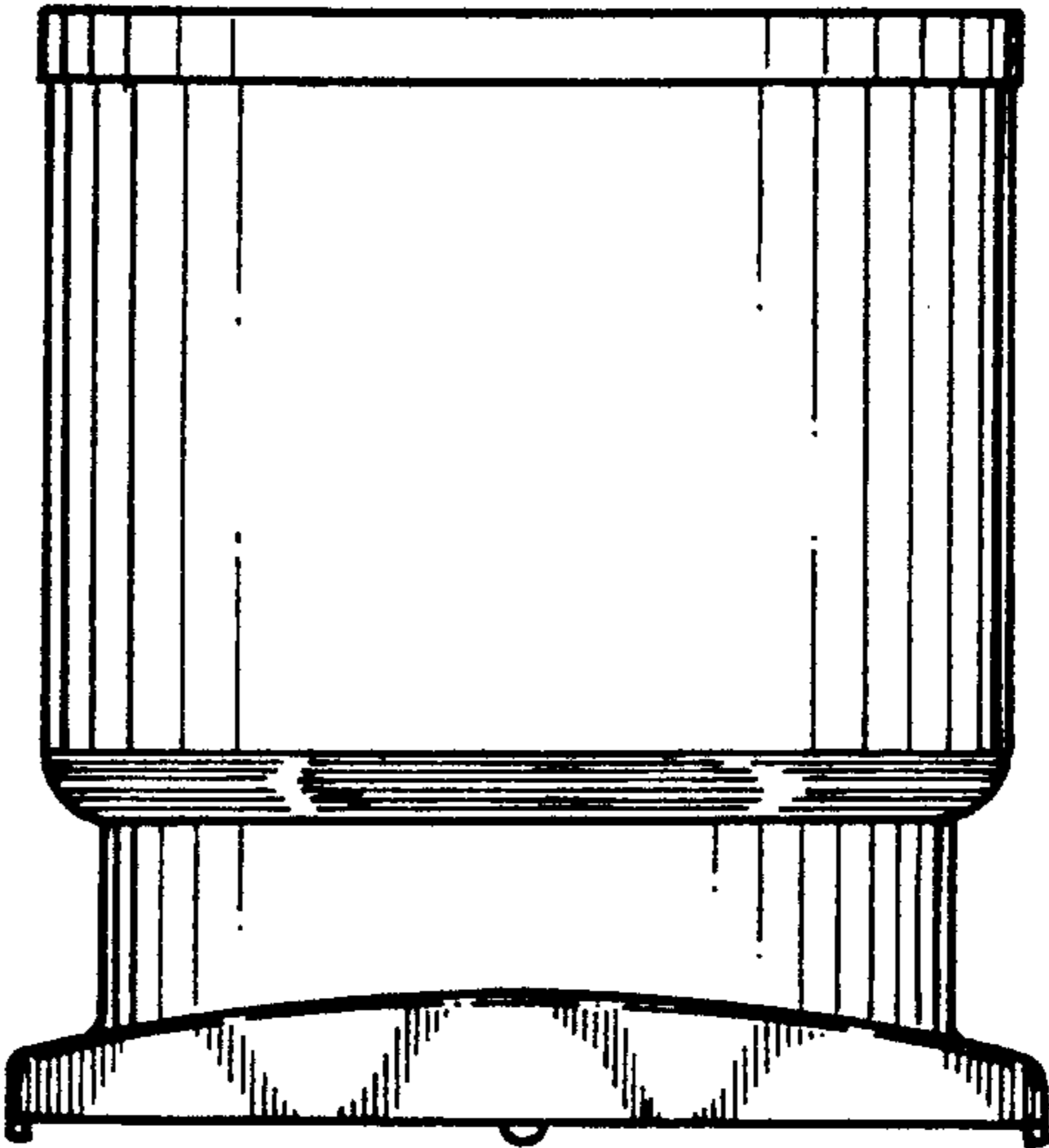


Fig. 5

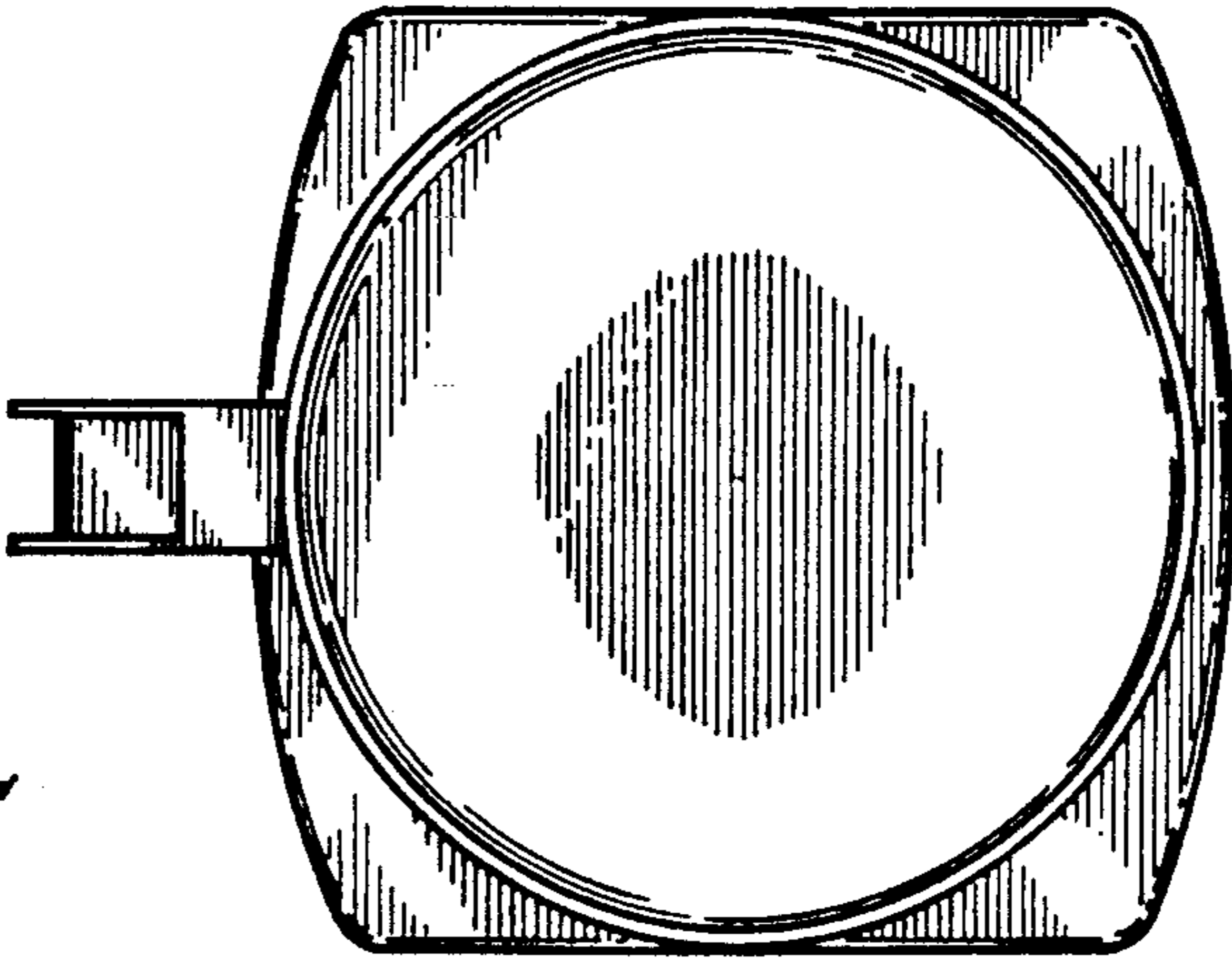


Fig. 6

