

[54] POWER ROCKER BASE FOR AN INFANT SEAT

[75] Inventor: Paul K. Meeker, Aurora, Ohio

[73] Assignee: Spalding & Evenflo Companies, Inc., Tampa, Fla.

[**] Term: 14 Years

[21] Appl. No.: 259,011

[22] Filed: Oct. 17, 1988

[52] U.S. Cl. D6/496; D6/333

[58] Field of Search D6/333, 500, 501, 502; 5/105-109; 297/130, 259, 260, 270, 281, 282

[56] References Cited

U.S. PATENT DOCUMENTS

D. 253,204	10/1979	Rymes	D6/333
D. 315,453	3/1991	Takada	D6/333
3,653,080	4/1972	Hafele	D6/333 X
4,141,095	2/1979	Adachi	297/260 X
4,656,680	4/1987	Wilson	5/109 X

4,911,499 3/1990 Meeker 297/260

FOREIGN PATENT DOCUMENTS

8603108 6/1986 PCT Int'l Appl. 297/260

Primary Examiner—Bruce W. Dunkins

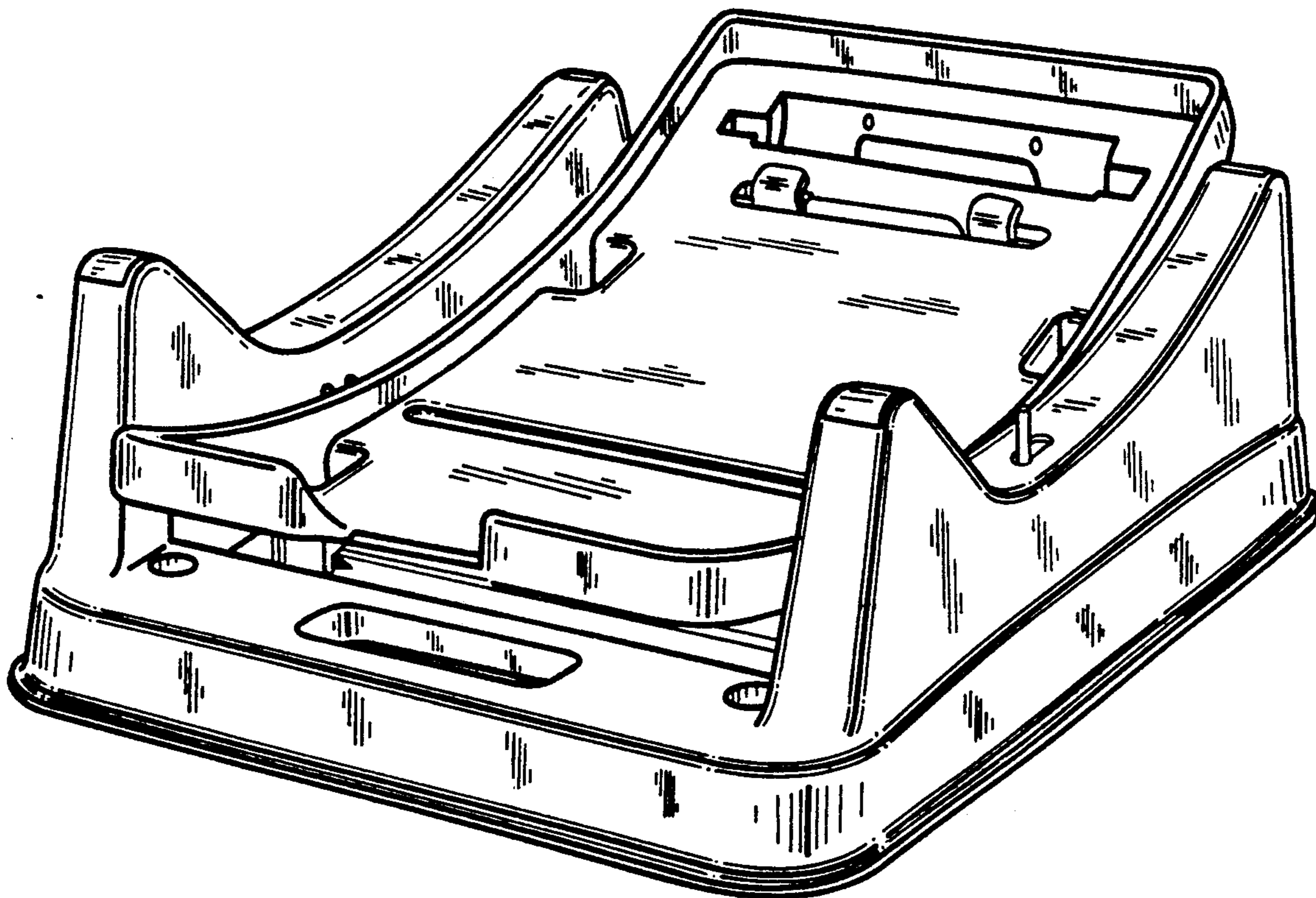
Assistant Examiner—Gary D. Watson

[57] CLAIM

The ornamental design for a power rocker base for an infant seat, as shown and described.

DESCRIPTION

FIG. 1 is a perspective view of a power rocker base for an infant seat showing my new design; FIG. 2 is a front elevational view; FIG. 3 is a rear elevational view; FIG. 4 is a top plan view; FIG. 5 is a left side elevational view; FIG. 6 is a right side elevational view; and FIG. 7 is a bottom plan view thereof. FIGS. 2 through 7 have been drawn on an enlarged scale with respect to FIG. 1.



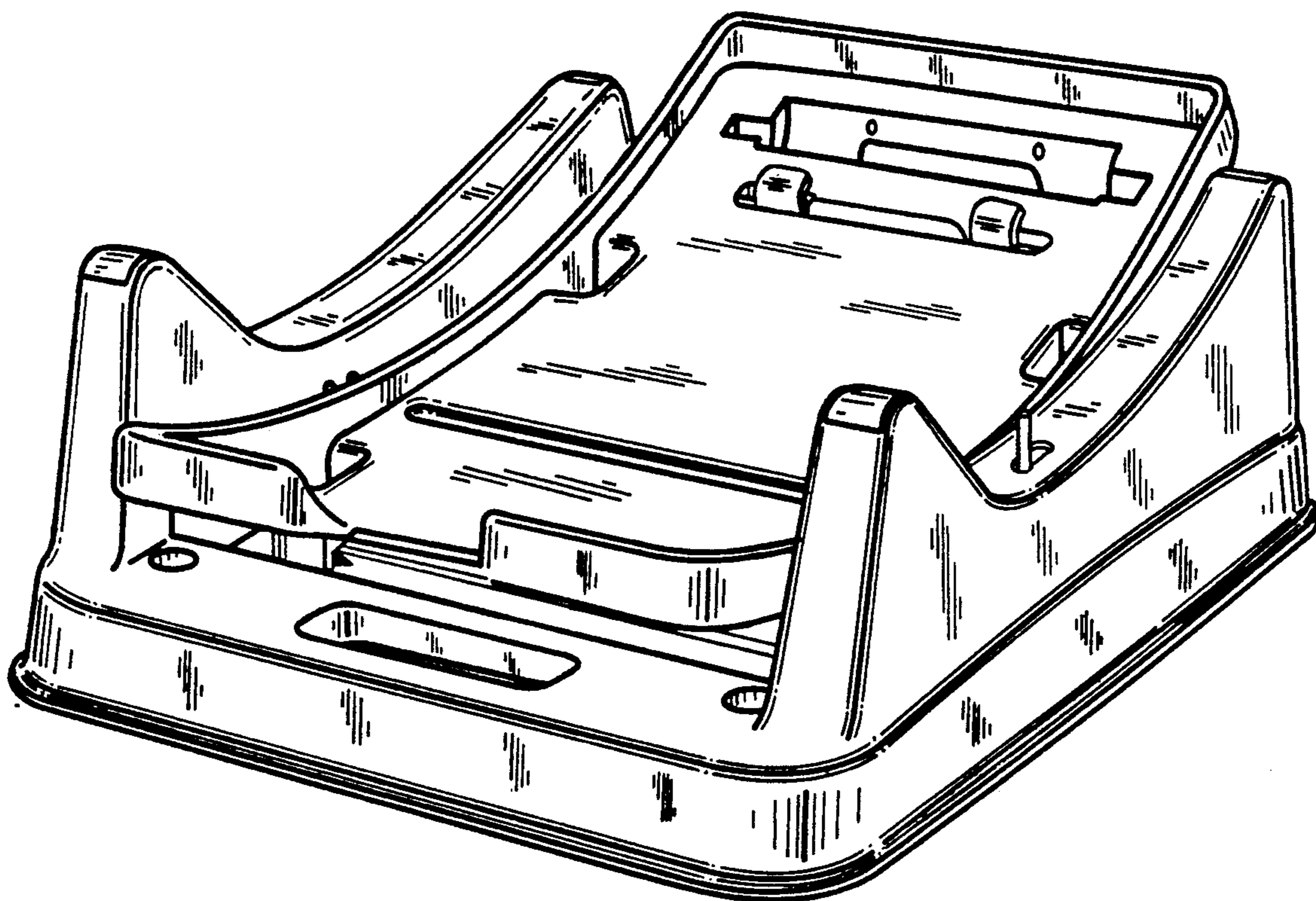


FIG. 1

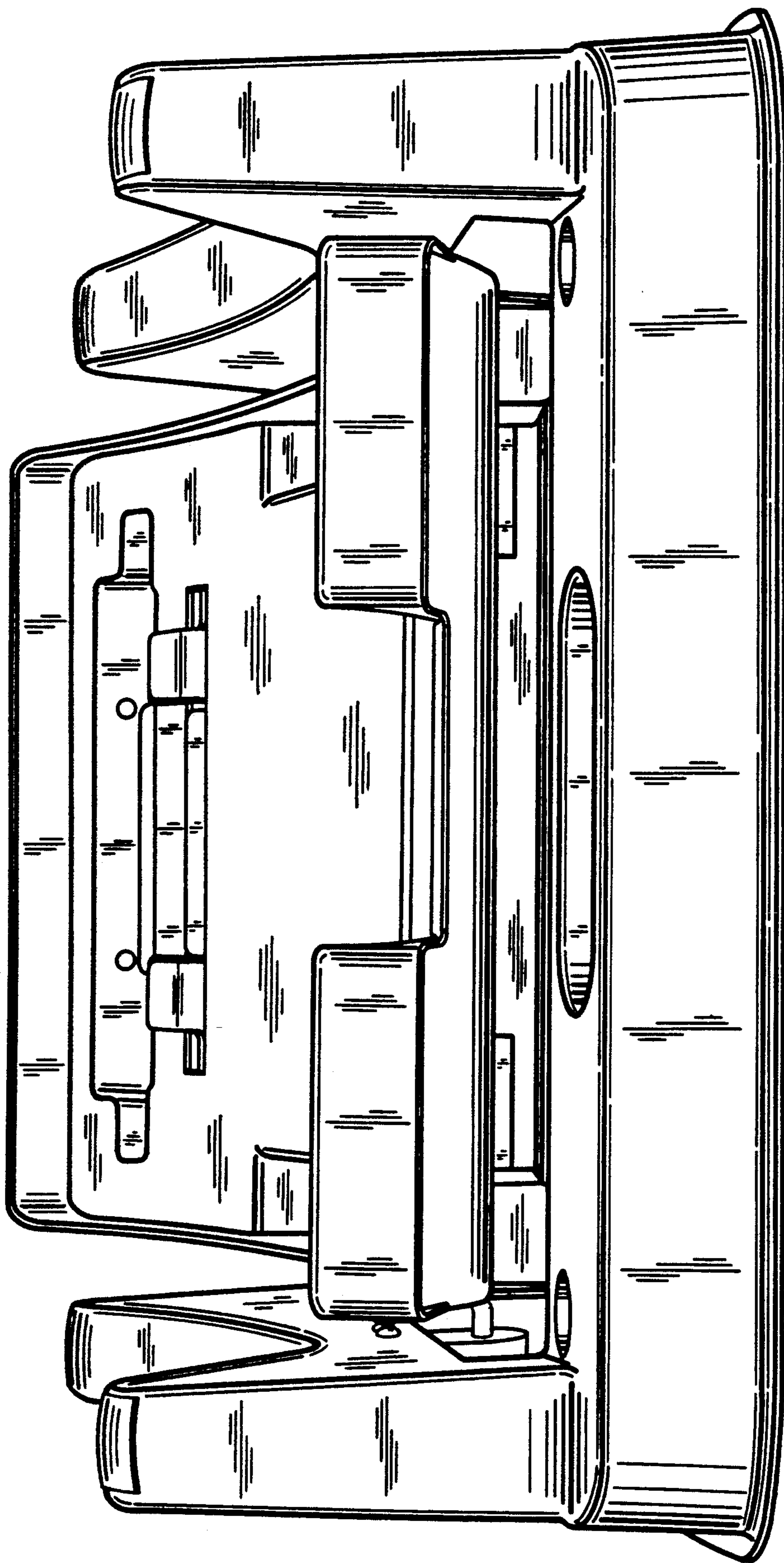
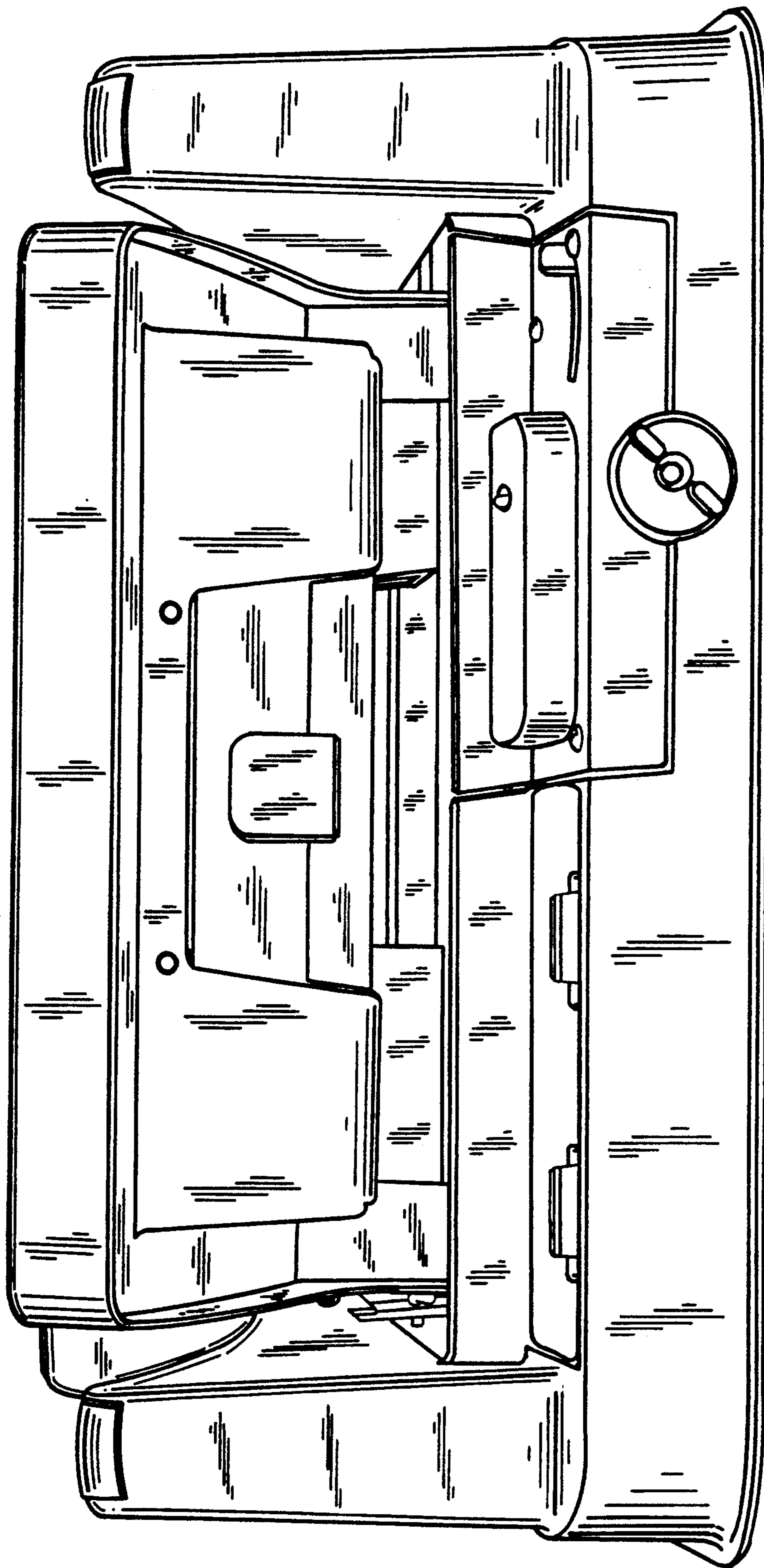
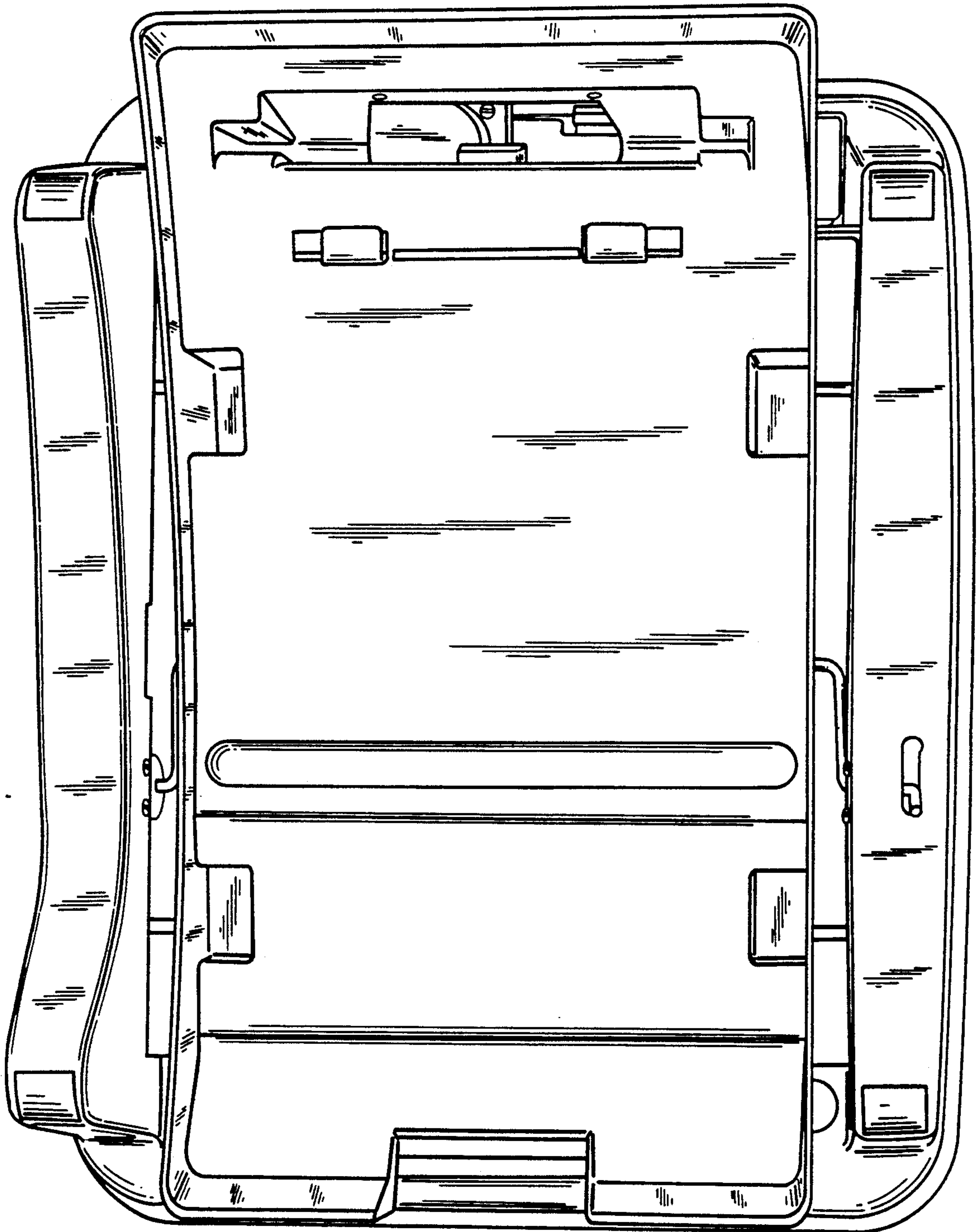


FIG. 2



—FIG. 3



—FIG. 4

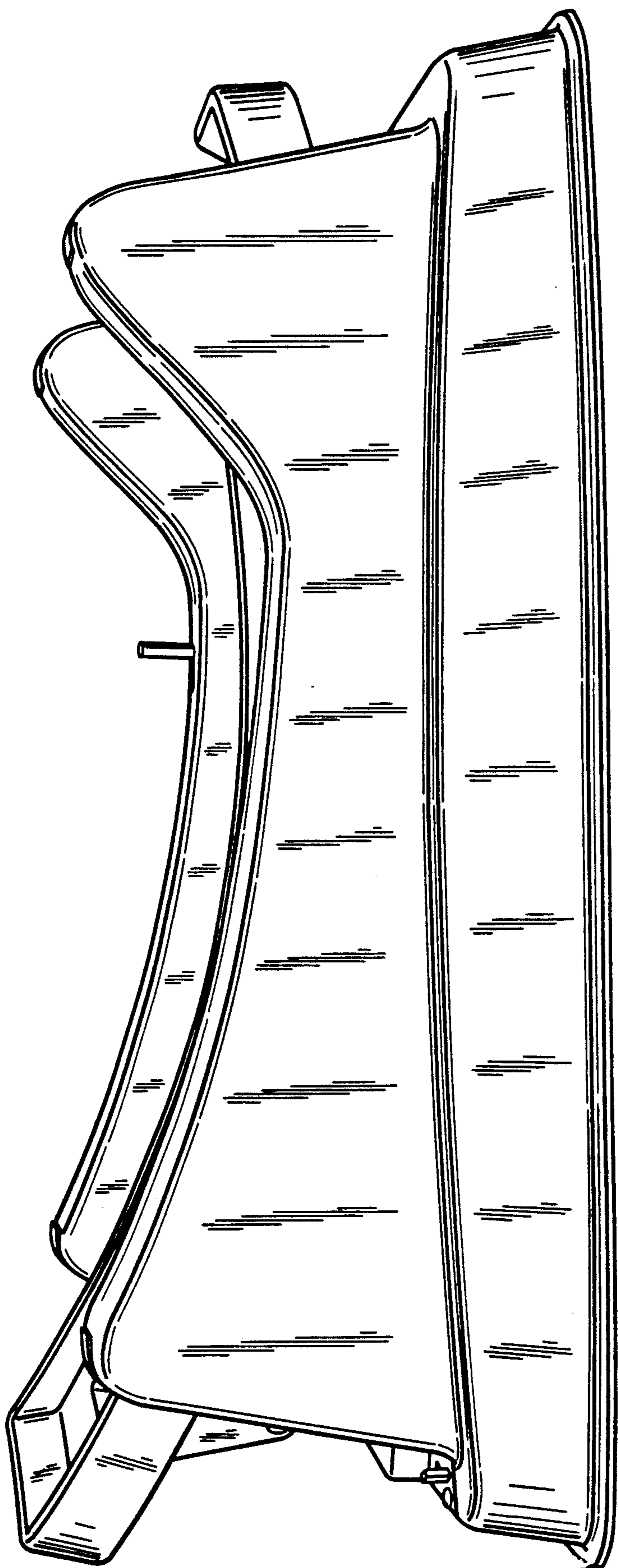
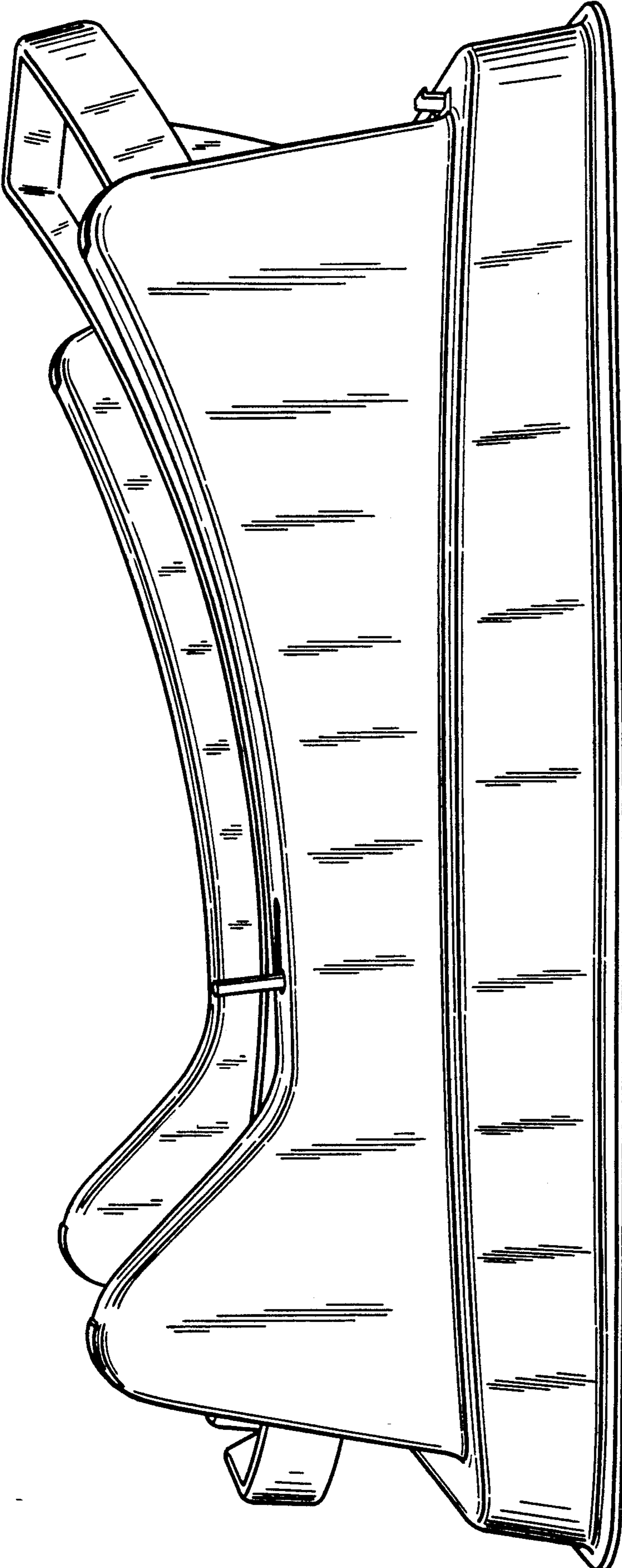
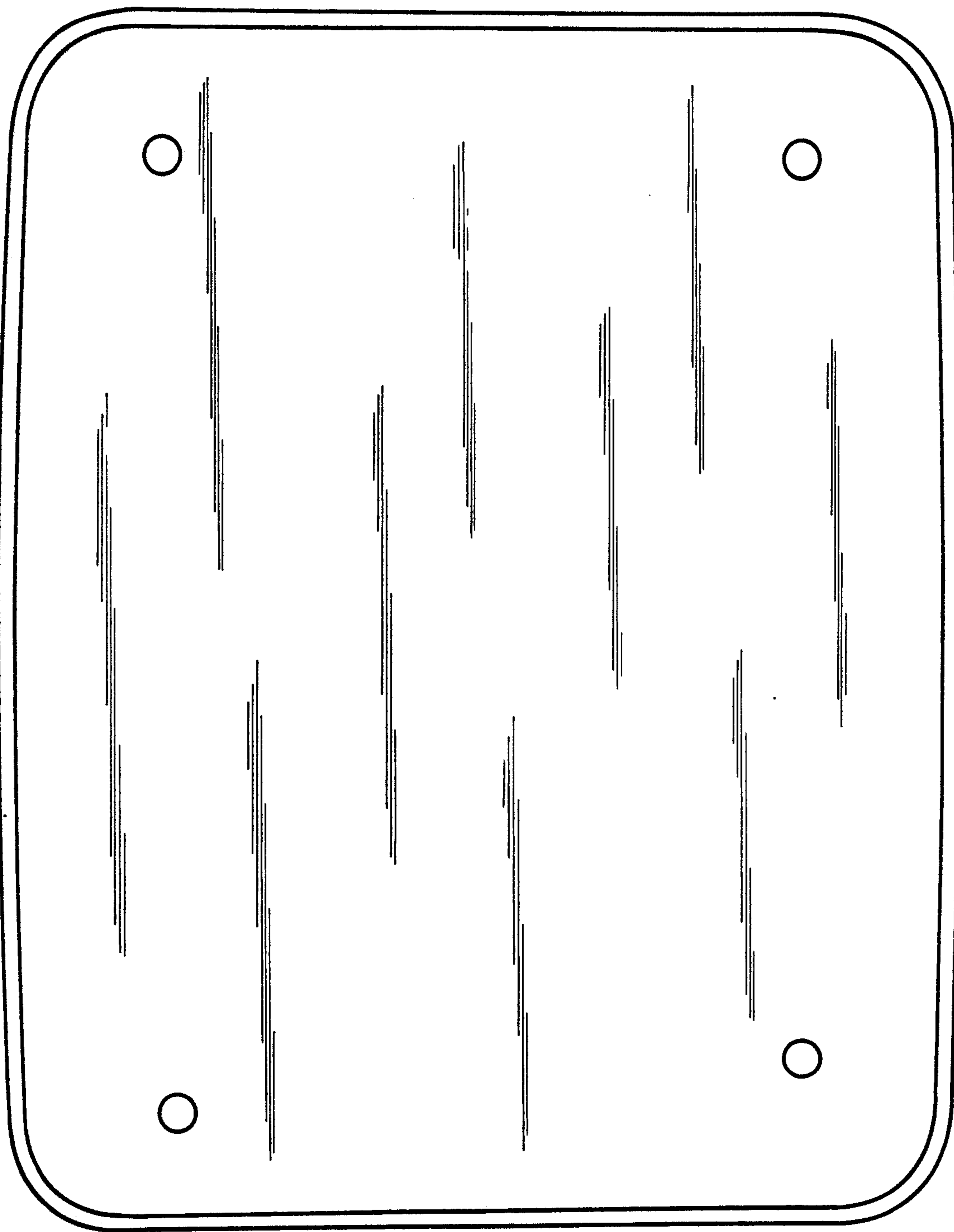


FIG. 5



—FIG. 6



—FIG. 7