

[54] DESK

[75] Inventor: Thomas J. Newhouse, Grand Rapids, Mich.

[73] Assignee: Herman Miller, Inc., Zeeland, Mich.

[\*\*] Term: 14 Years

[21] Appl. No.: 680,267

[22] Filed: Apr. 4, 1991

Related U.S. Application Data

[62] Division of Ser. No. 544,852, Jun. 27, 1990, which is a division of Ser. No. 57,830, Jun. 2, 1987, Pat. No. Des. 311,833.

[52] U.S. Cl. .... D6/484; D6/422; D6/428

[58] Field of Search ..... D6/422-428, D6/480, 484; 312/194-196

[56] References Cited

U.S. PATENT DOCUMENTS

- D. 281,297 11/1985 Esslinger ..... D6/484
- D. 292,154 10/1987 Worrell et al. .... D6/484
- D. 295,474 5/1988 Uredat-Neuhoff ..... D6/484
- D. 312,541 12/1990 Wright ..... D6/484
- D. 314,105 1/1991 Vossoughi ..... D6/484

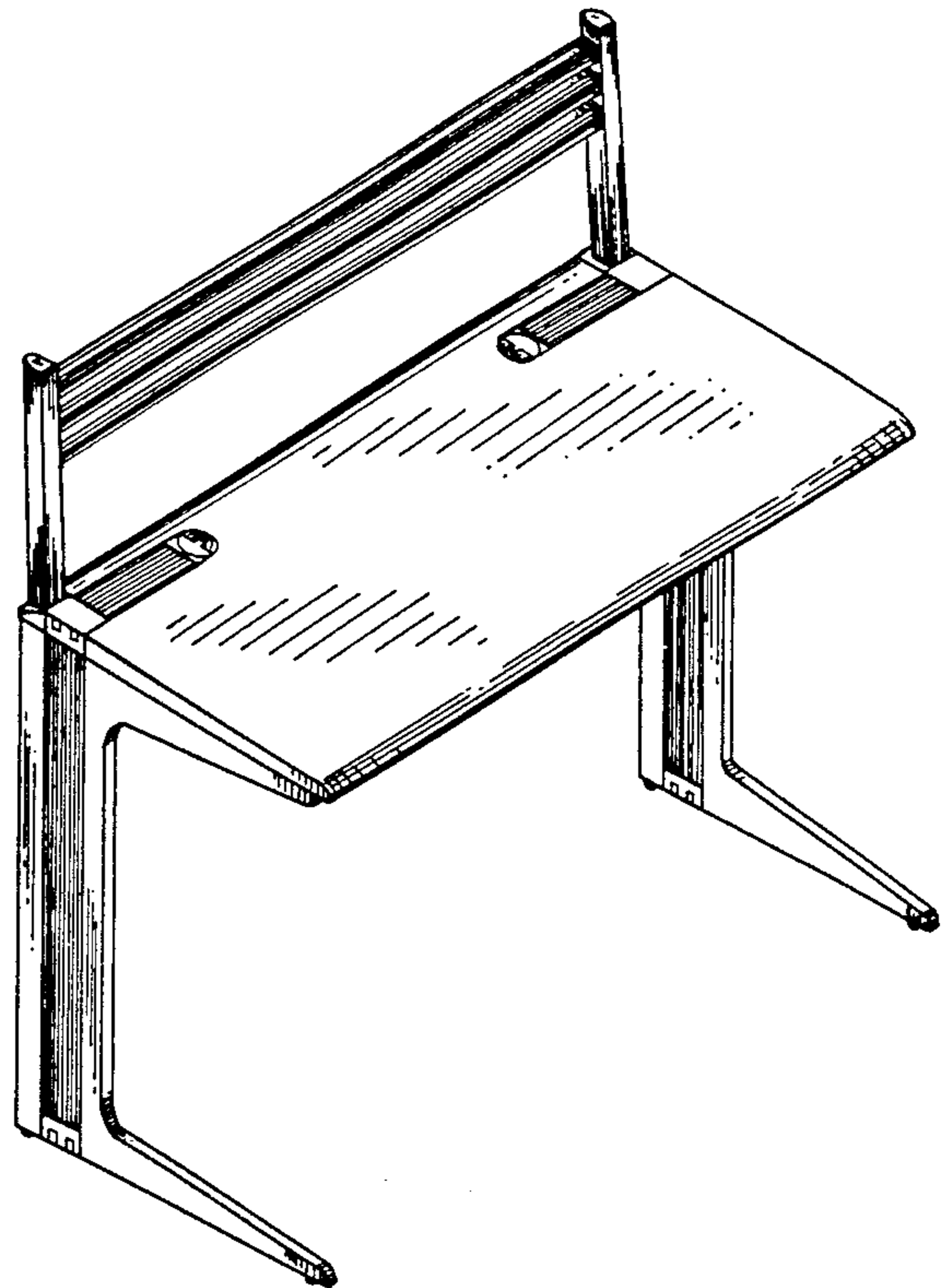
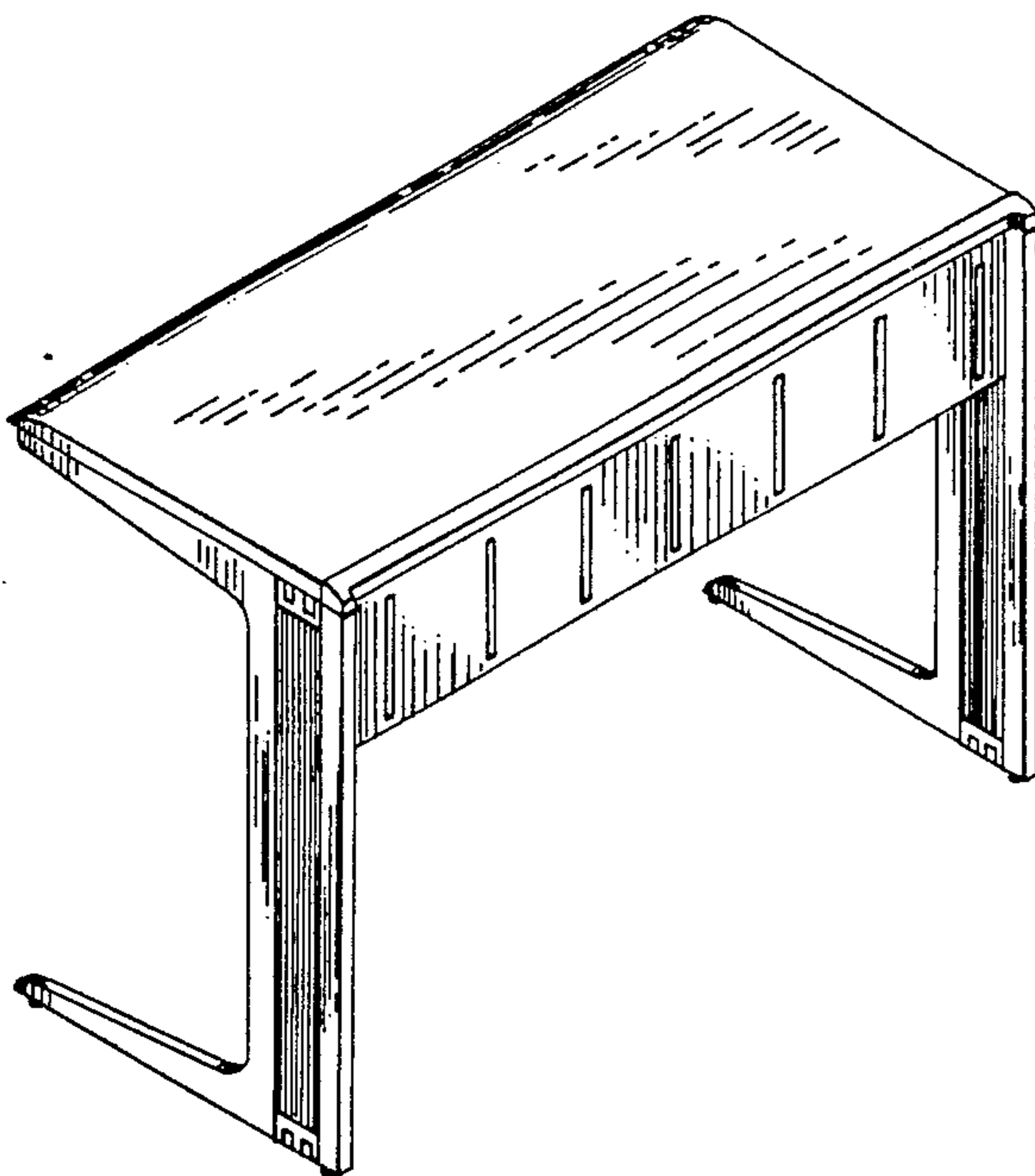
Primary Examiner—Carmen H. Vales-Lado  
Attorney, Agent, or Firm—Varnum, Riddering, Schmidt & Howlett

[57] CLAIM

The ornamental design for a desk, as shown and described.

DESCRIPTION

FIG. 1 is a rear perspective view of a desk showing my new design;  
FIG. 2 is a right side elevational view, the left side elevational view being a mirror image thereof; and  
FIG. 3 is a front perspective view of a second embodiment of the desk shown in FIG. 1.



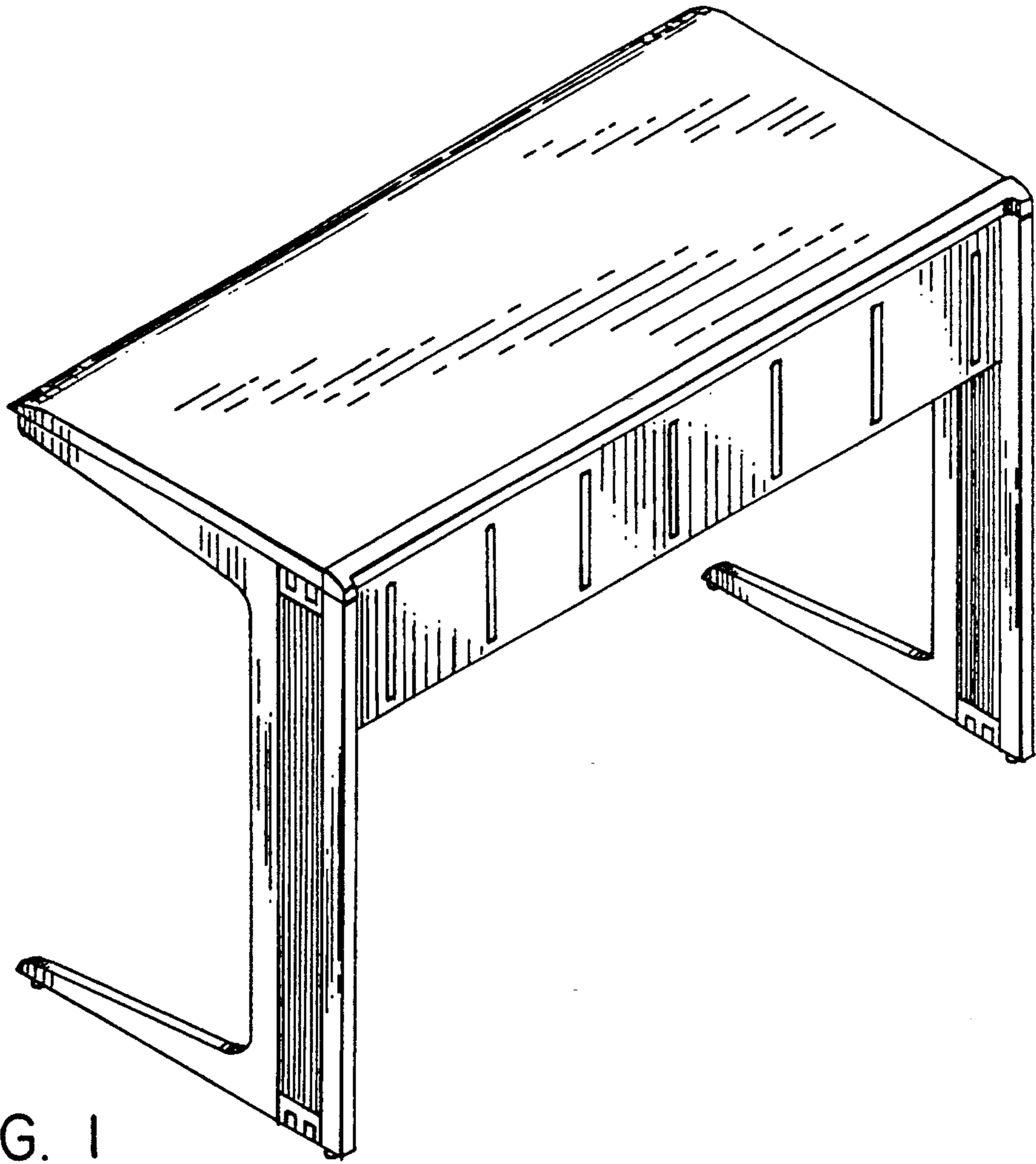


FIG. 1

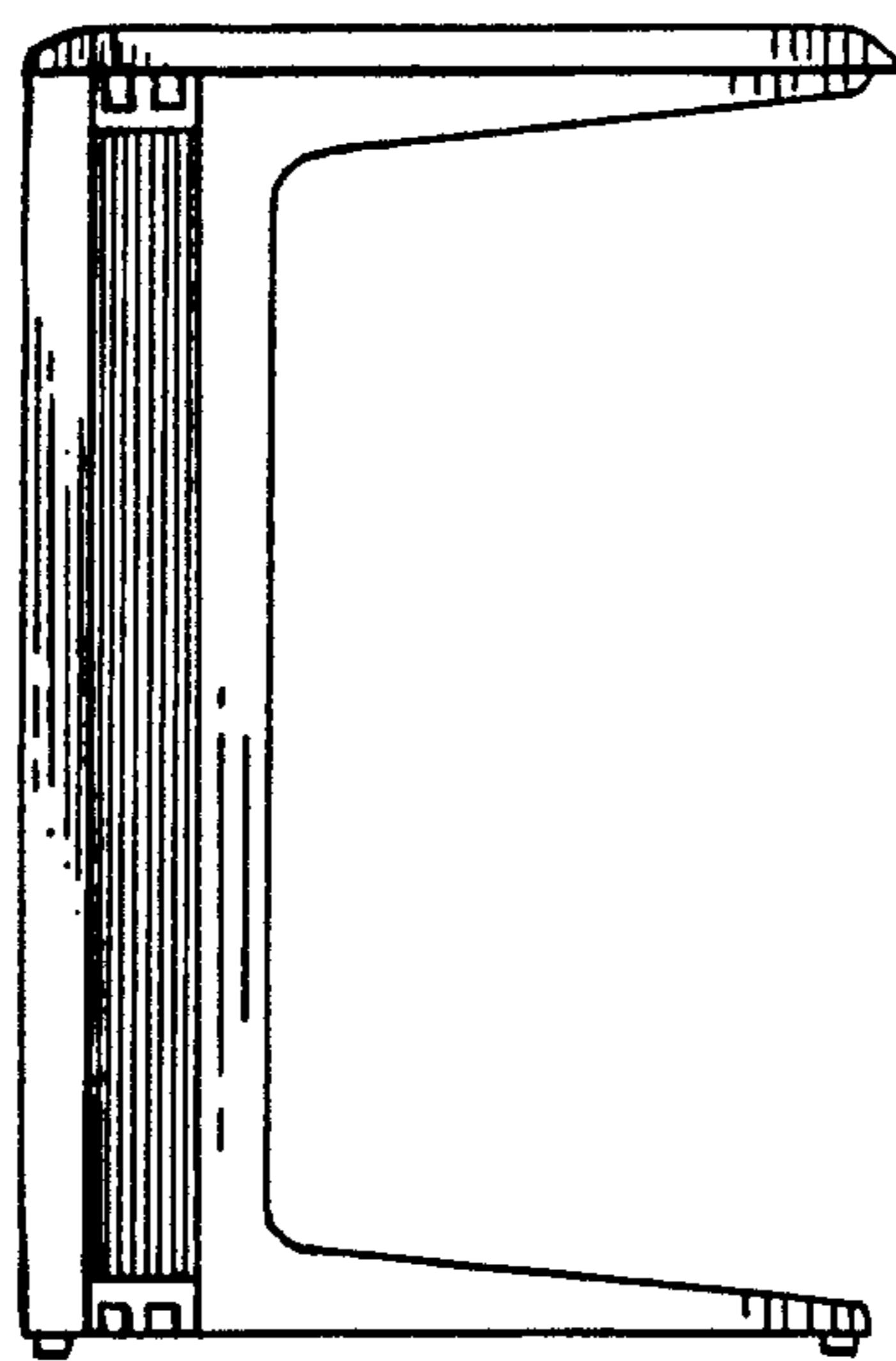


FIG. 2

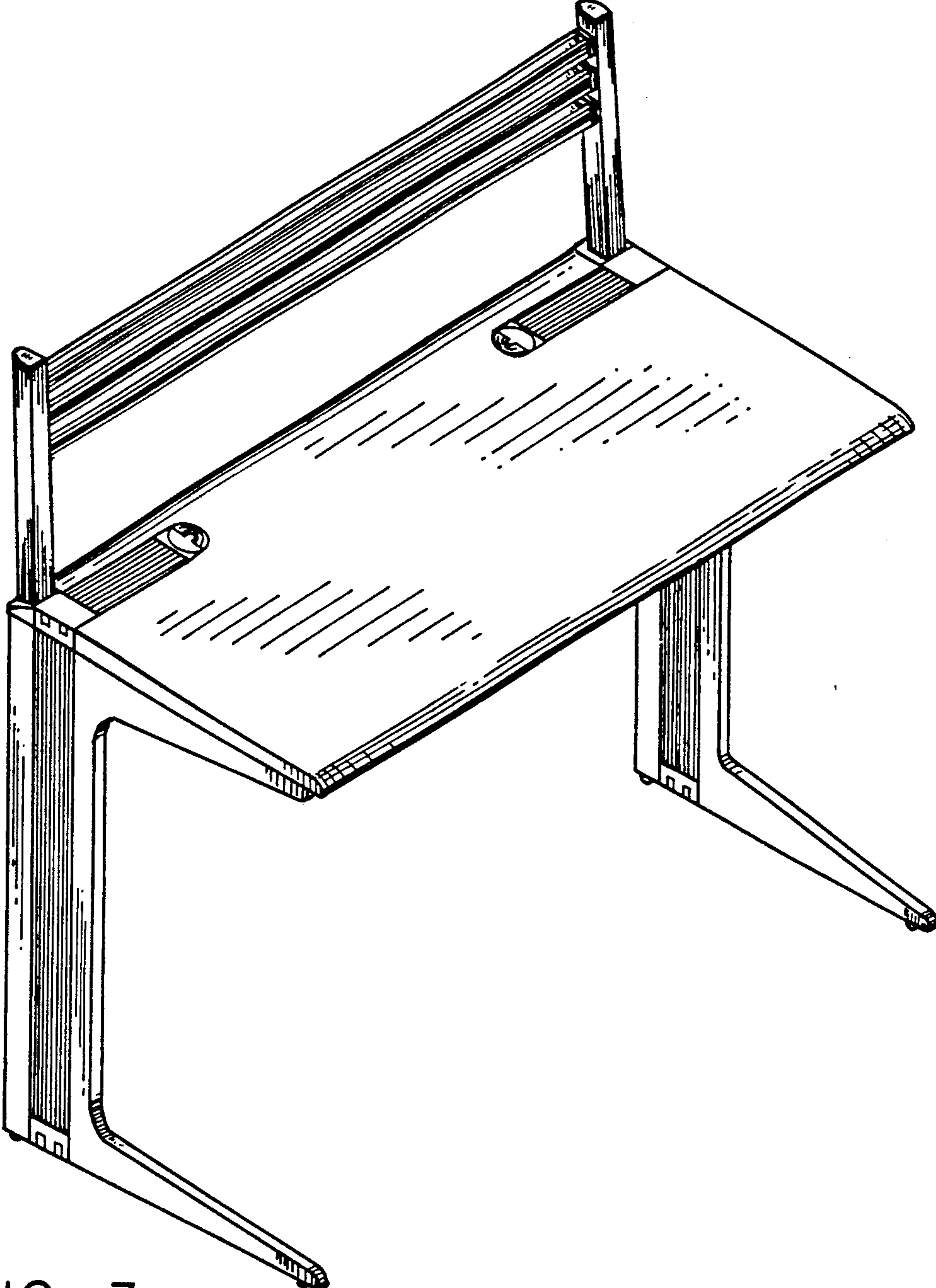


FIG. 3