

[54] DISPLAY HOLDER FOR BROCHURES AND THE LIKE

[75] Inventor: Richard M. Liptak, Parma Heights, Ohio

[73] Assignee: Integral Design, Inc., Cleveland, Ohio

[\*\*] Term: 14 Years

[21] Appl. No.: 369,908

[22] Filed: Jun. 22, 1989

[52] U.S. Cl. .... D6/475; D6/553; D19/90

[58] Field of Search ..... D6/475, 476, 470, 471, D6/449, 466, 553, 512, 567, 300; 211/50, 13, 55; D19/86, 90, 91

[56] References Cited

U.S. PATENT DOCUMENTS

- D. 250,241 11/1978 Braginetz ..... D6/475
- D. 264,481 5/1982 Russo ..... D19/91 X
- D. 267,383 12/1982 Uptak et al. .... D6/470
- D. 279,745 7/1985 Kellogg ..... D6/475 X
- D. 280,466 9/1985 Seltzer et al. .... D19/90 X
- D. 286,485 11/1986 Frizzell ..... D6/475 X

- D. 301,101 5/1989 Meyer ..... D6/553 X
- D. 308,784 6/1990 Liptak ..... D6/553
- 2,333,717 11/1943 Heed et al. .... 211/55 X
- 3,903,789 9/1975 Hurley ..... 211/50 X

OTHER PUBLICATIONS

Outwater Plastics, p. 271.

Primary Examiner—Bruce W. Dunkins

Assistant Examiner—Jeffrey Asch

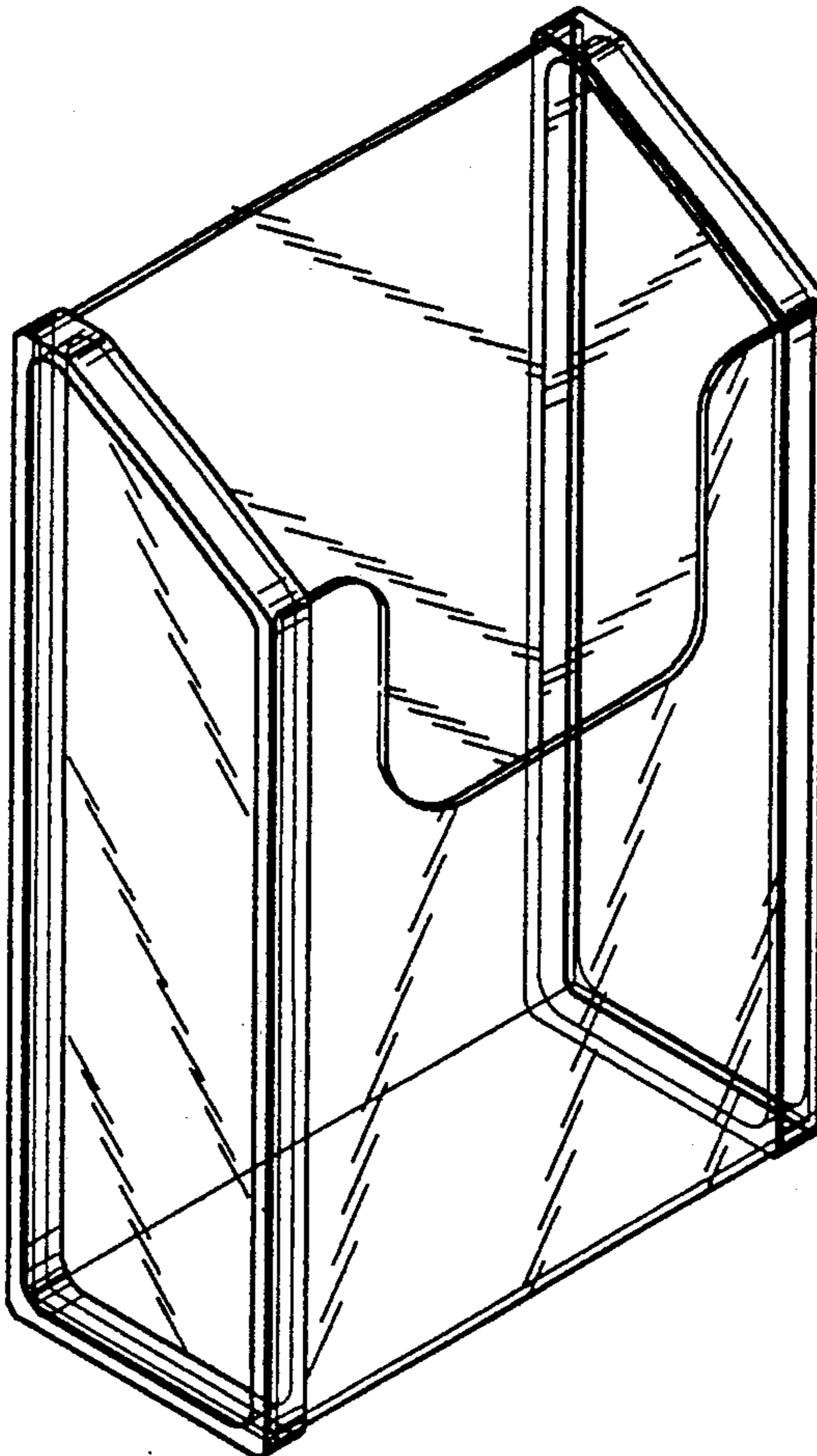
Attorney, Agent, or Firm—Pearne, Gordon, McCoy & Granger

[57] CLAIM

The ornamental design for a display holder for brochures and the like, as shown and described.

DESCRIPTION

FIG. 1 is a perspective view of a display holder for brochures and the like, showing my new design; FIG. 2 is a left side elevational view, the right side being a mirror image thereof; FIG. 3 is a front elevational view thereof; FIG. 4 is a top plan view thereof; FIG. 5 is a rear elevational view thereof; and FIG. 6 is a bottom plan view thereof. FIGS. 4-6 have been shown on an enlarged scale with respect to FIG. 1.



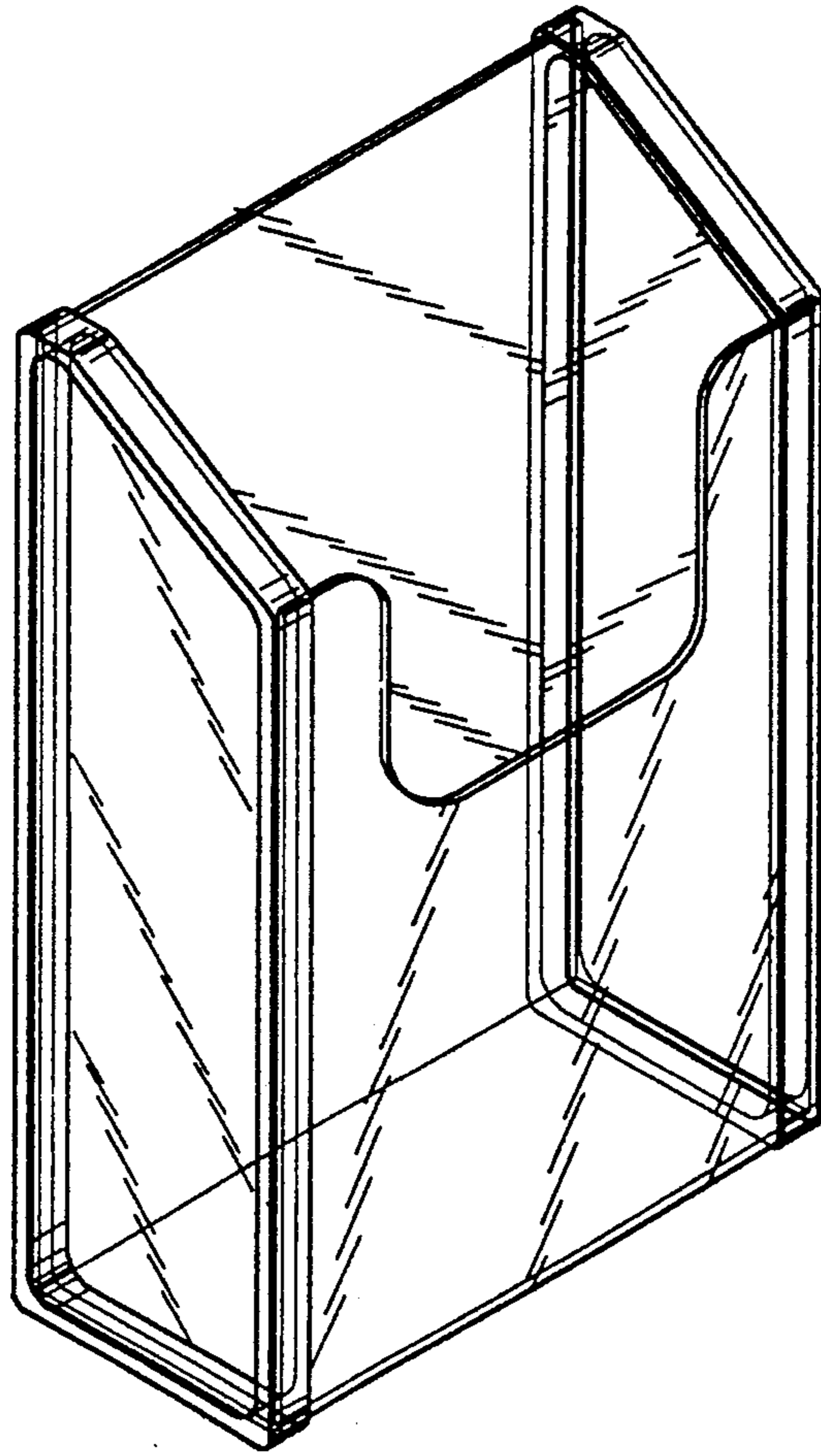


Fig.1

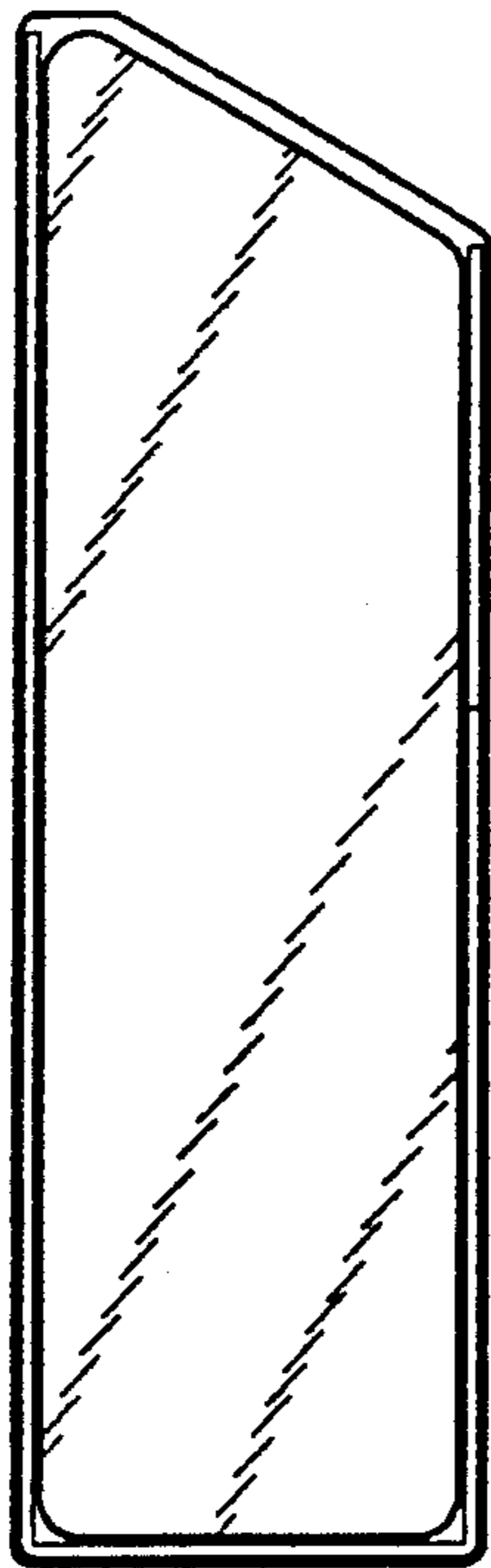


Fig.2

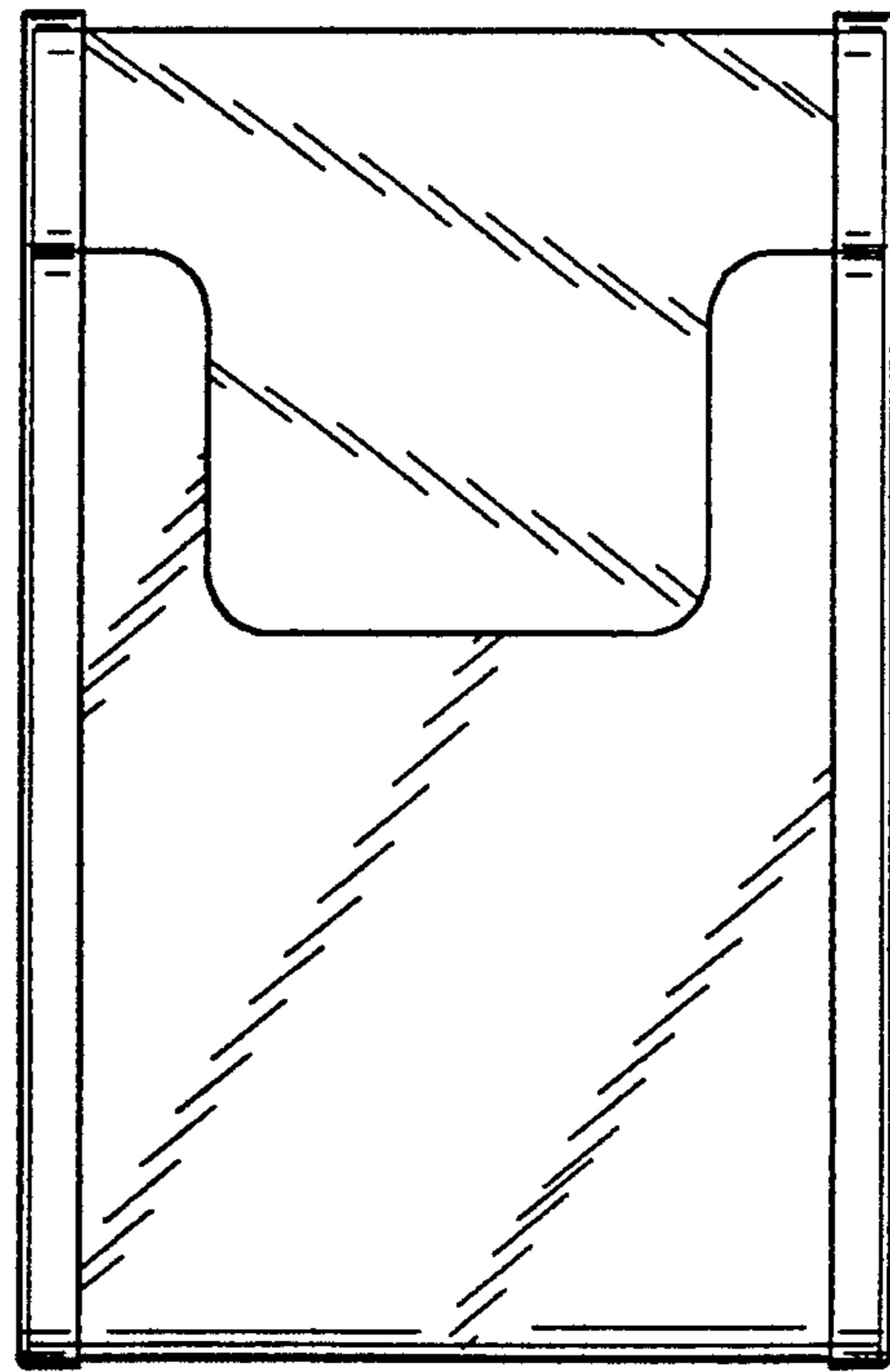


Fig.3

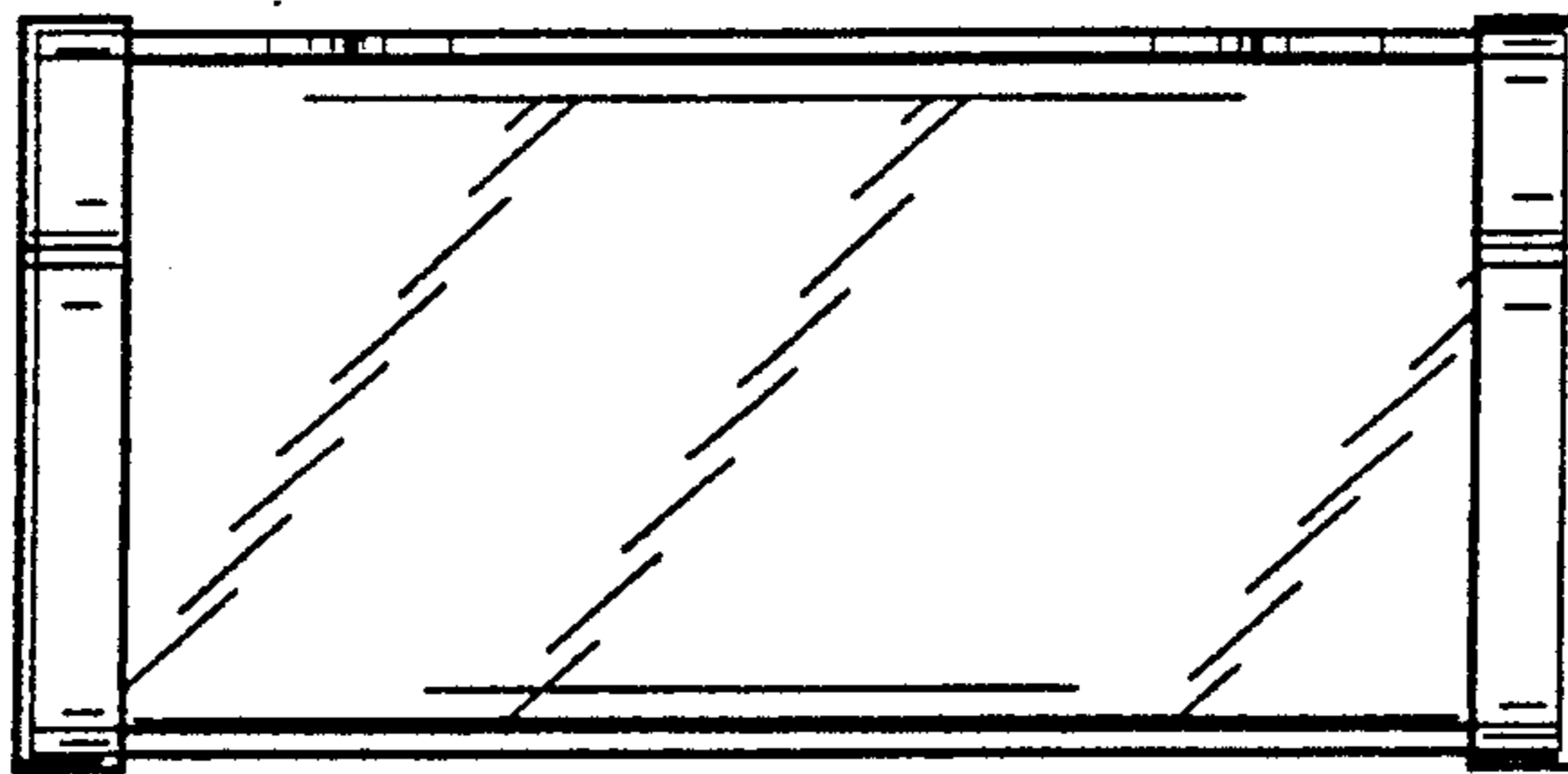


Fig.4

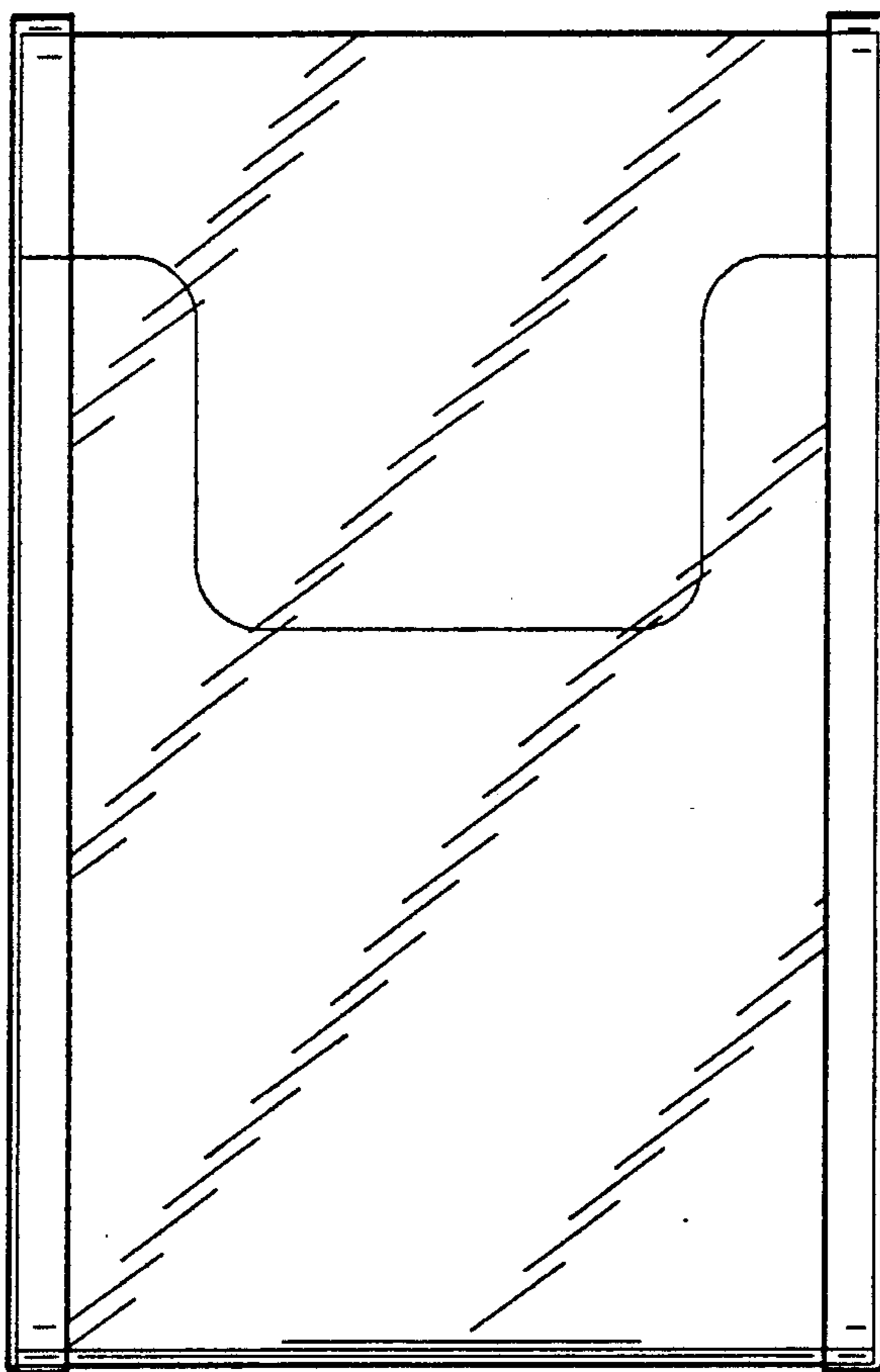


Fig.5

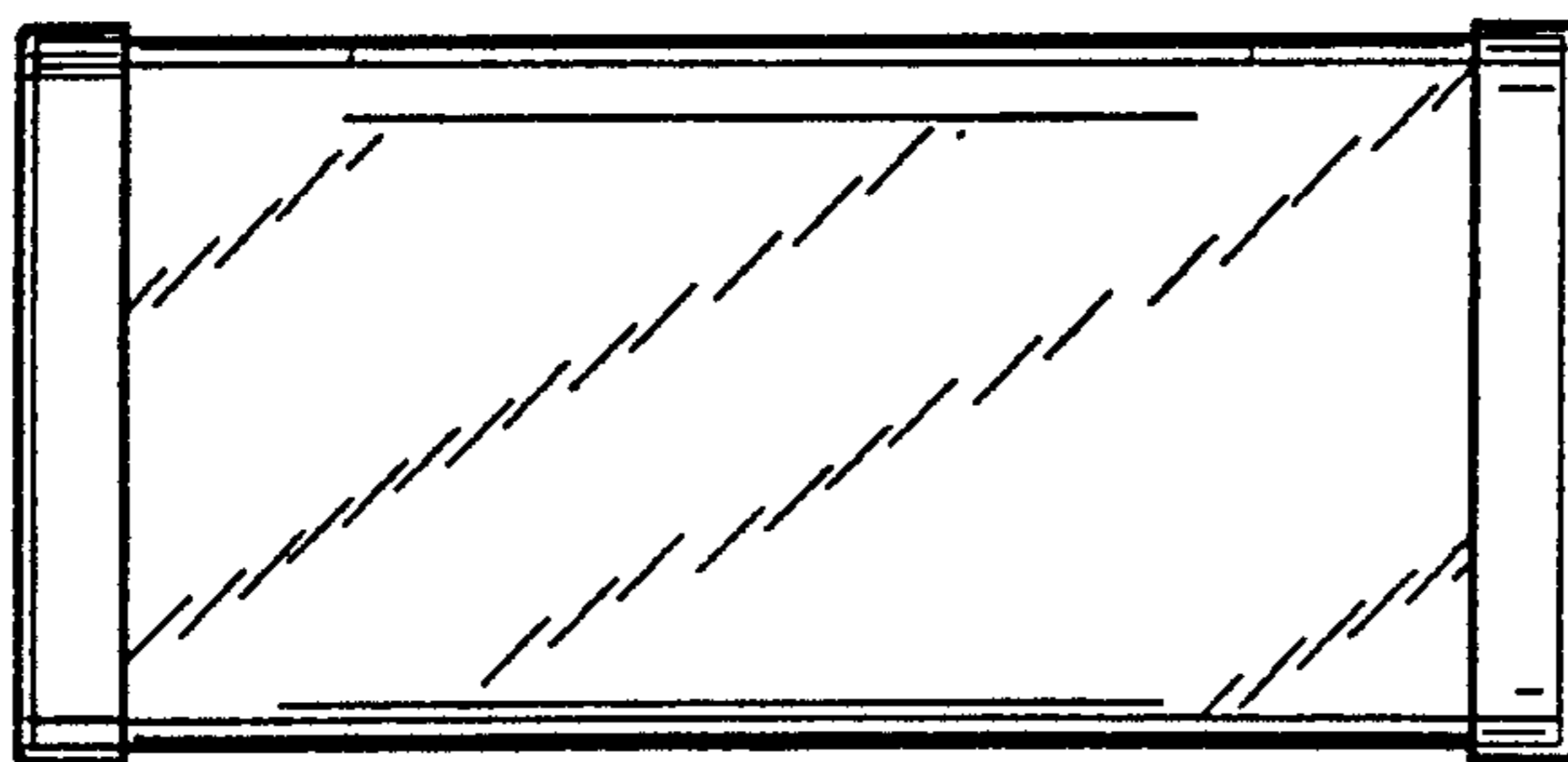


Fig.6