

[54] TELEVISION STAND

3,221,678 12/1965 Doherty D6/479 X

[76] Inventor: Gerald Lecompte, 9105 NW. Expressway, Yukon, Okla. 73099

Primary Examiner—Bruce W. Dunkins
Assistant Examiner—Jeffrey Asch
Attorney, Agent, or Firm—Glen M. Burdick; Bill D. McCarthy

[**] Term: 14 Years

[21] Appl. No.: 174,691

[57] CLAIM

[22] Filed: Mar. 29, 1988

The ornamental design for a television stand, as shown and described.

[52] U.S. Cl. D6/455; D6/449; D6/486

[58] Field of Search D6/462, 463, 464, 465, D6/449, 411, 403, 405, 477, 478, 479, 480, 486, 455; 211/86

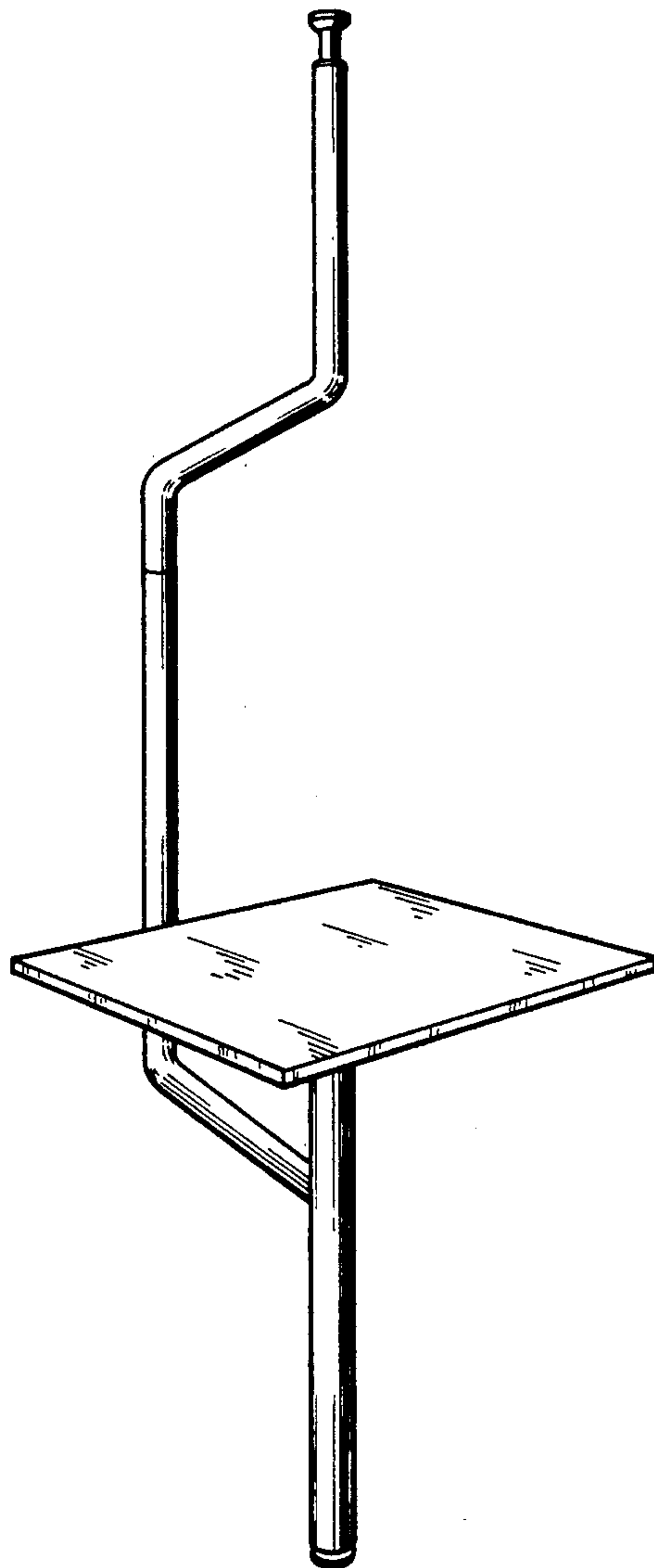
DESCRIPTION

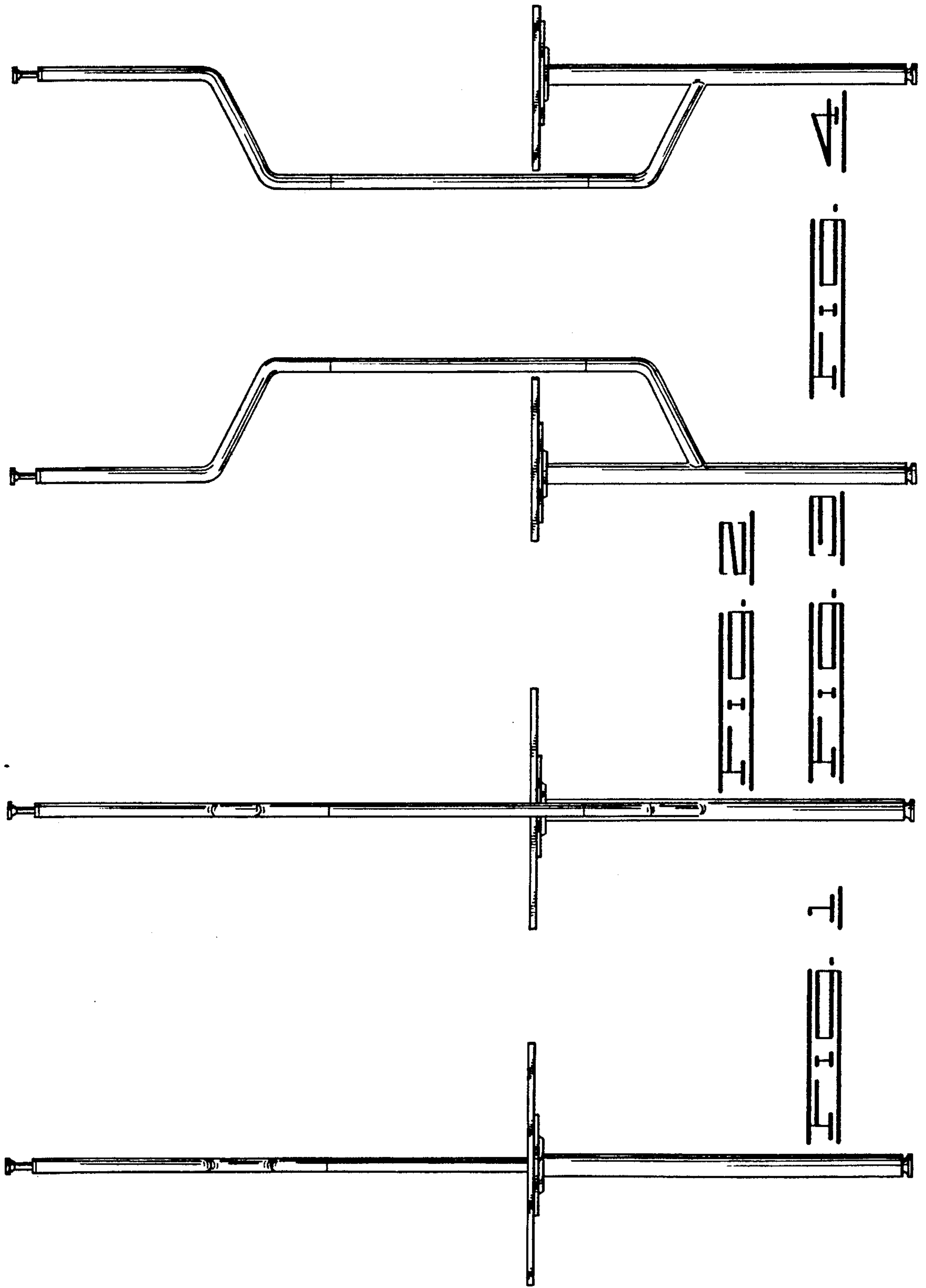
[56] References Cited

U.S. PATENT DOCUMENTS

- D. 200,910 4/1965 Van Syoc D6/477
- D. 245,131 7/1977 Johnsson D6/405 X
- D. 247,659 4/1978 Kearney D6/405
- D. 295,478 5/1988 Helmholdt et al. D6/405 X
- D. 302,083 7/1989 Walter D6/477 X

FIG. 1 is a front elevational view of a television stand showing my new design;
FIG. 2 is a rear elevational view thereof;
FIG. 3 is a right side elevational view thereof;
FIG. 4 is a left side elevational view thereof;
FIG. 5 is a top plan view thereof on an enlarged scale;
FIG. 6 is a bottom plan view thereof on an enlarged scale; and
FIG. 7 is a perspective view thereof on an enlarged scale.





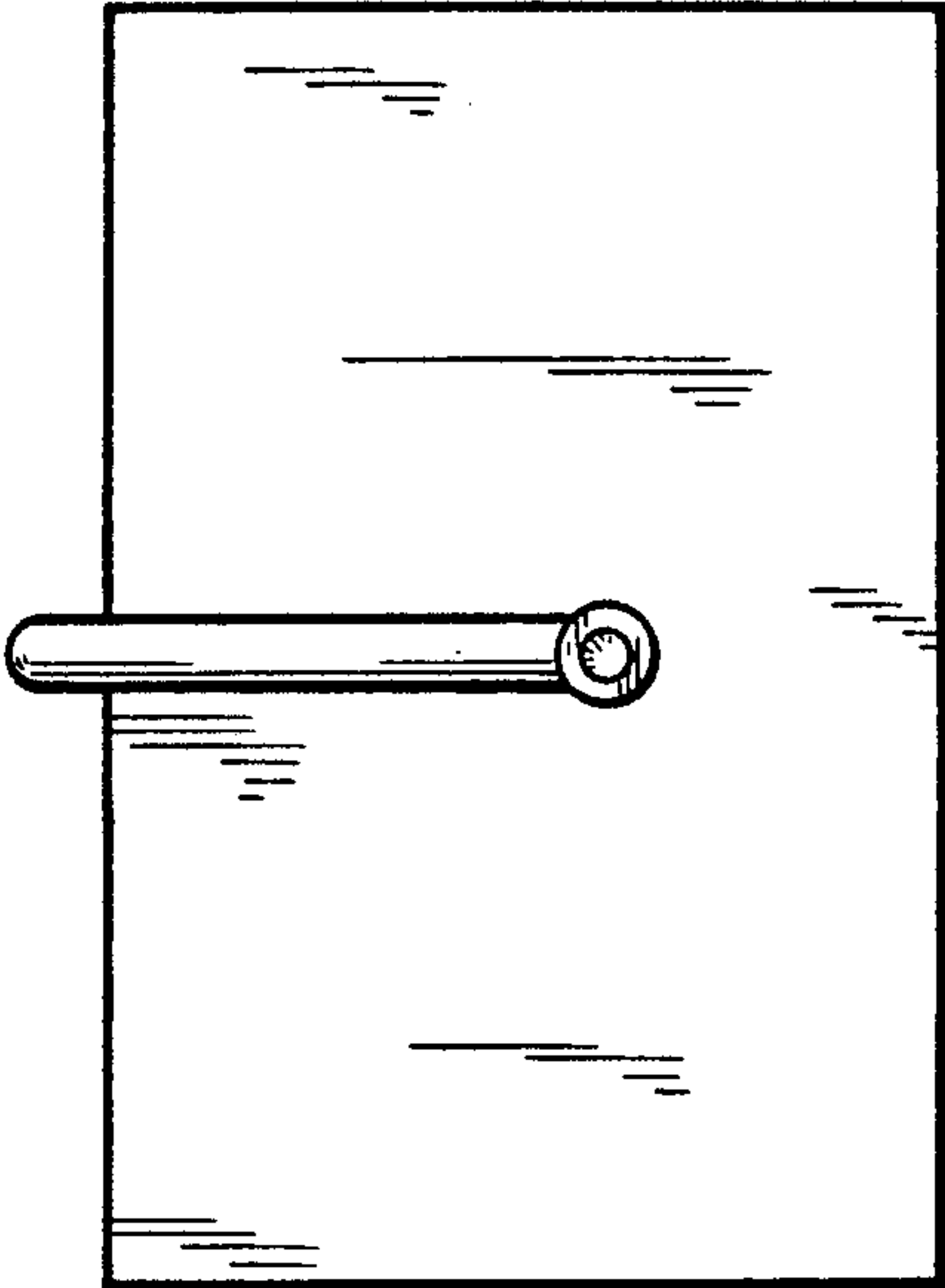


Fig. 5

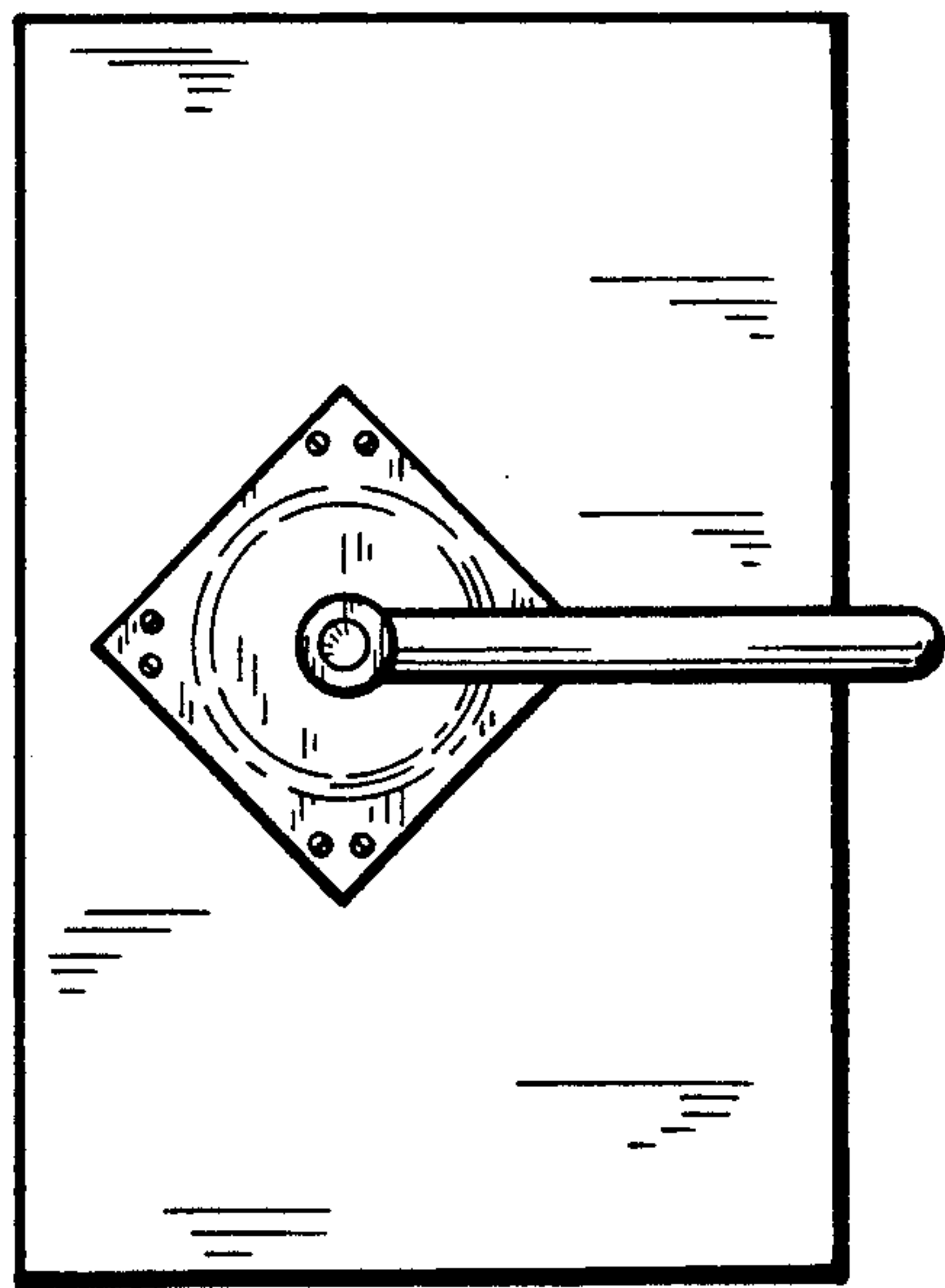


Fig. 6

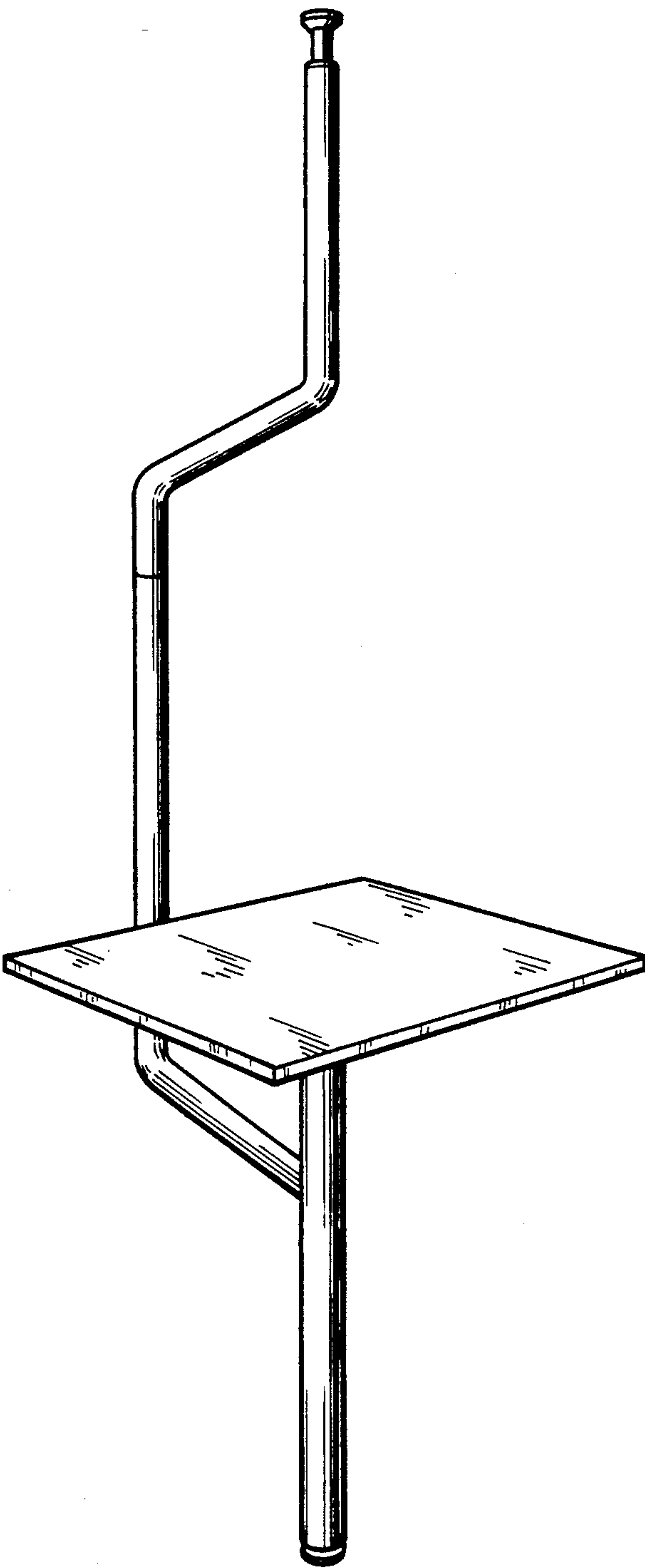


Fig 7