

[54] HOLDER FOR PLANTS, FLOWERS, RADIOS, OR THE LIKE

D. 257,095 9/1980 Lin ..... D11/149  
D. 286,475 11/1986 Mens ..... D6/404  
2,764,845 10/1956 Colombini ..... D11/149

[76] Inventor: Peter S. C. Cheng, 5 Ross Street, Toronto, Ontario, Canada, M5T 1Z8

Primary Examiner—B. J. Bullock  
Attorney, Agent, or Firm—Kirschstein, Ottinger, Israel & Schiffmiller

[\*\*] Term: 14 Years

[21] Appl. No.: 347,413

[57] CLAIM

[22] Filed: May 4, 1989

The ornamental design for a holder for plants, flowers, radios, or the like, as shown.

[52] U.S. Cl. .... D6/404; D6/450; D11/149; D21/134; D34/14; D34/24

[58] Field of Search ..... D6/403, 404, 450; D11/143, 144, 149; D34/13, 14, 24; D21/134; 47/66, 72

DESCRIPTION

FIG. 1 is a top, rear and side perspective view of a holder for plants, flowers, radios, or the like, showing my new design;

FIG. 2 is a top plan view thereof;

FIG. 3 is a right side elevational view thereof, the left side being a mirror image;

FIG. 4 is a rear elevational view thereof;

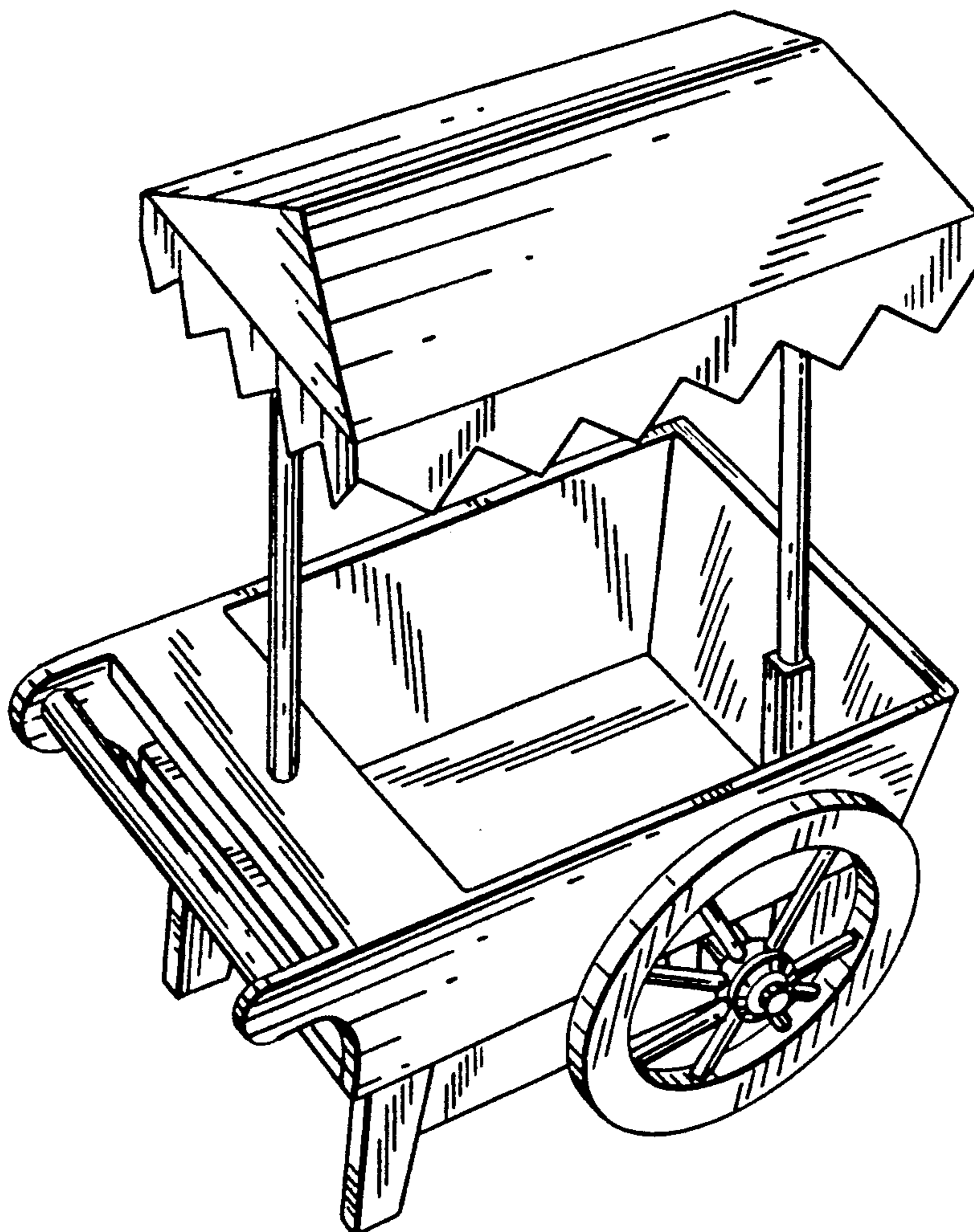
FIG. 5 is a front elevational view thereof; and

FIG. 6 is a bottom plan view thereof.

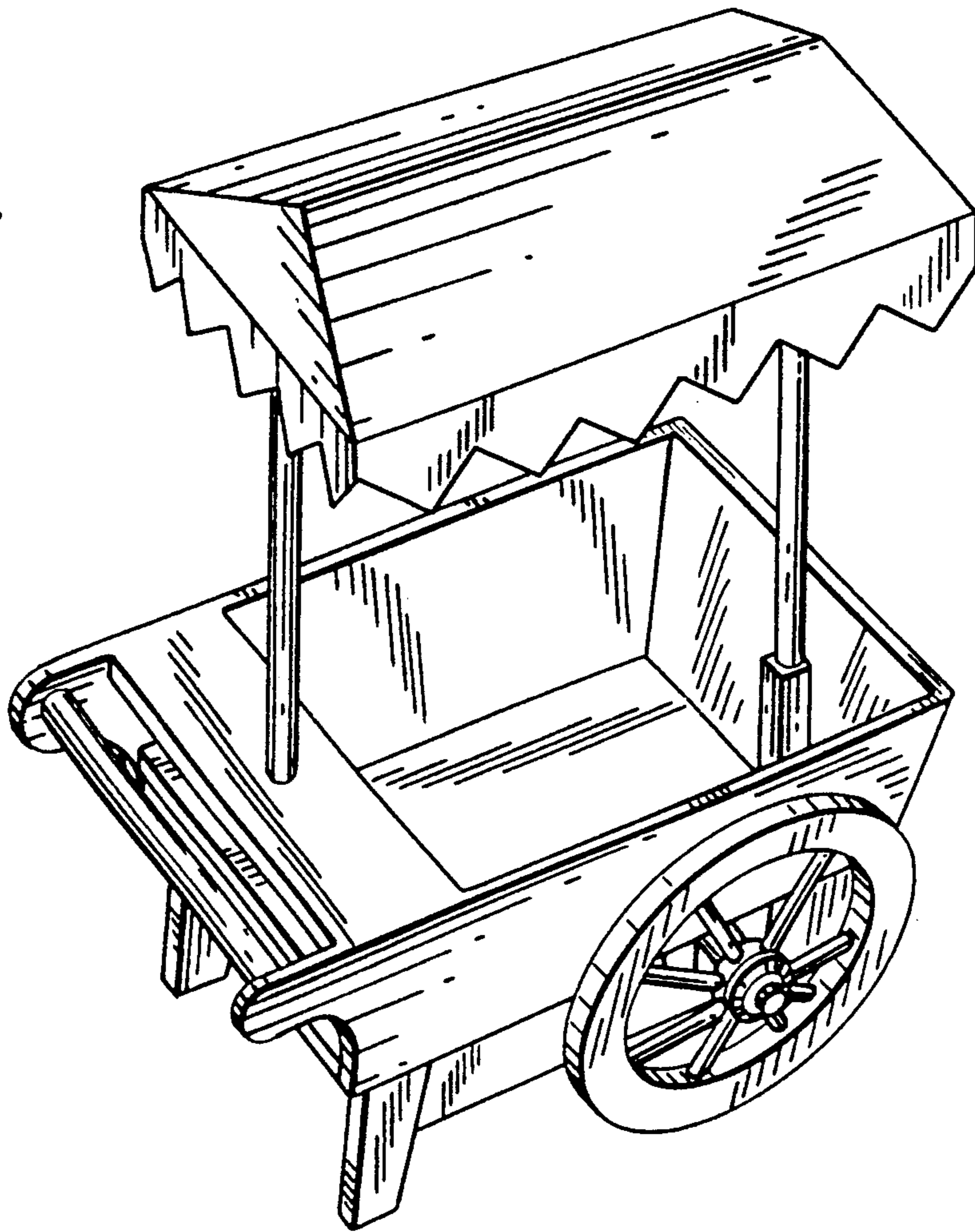
[56] References Cited

U.S. PATENT DOCUMENTS

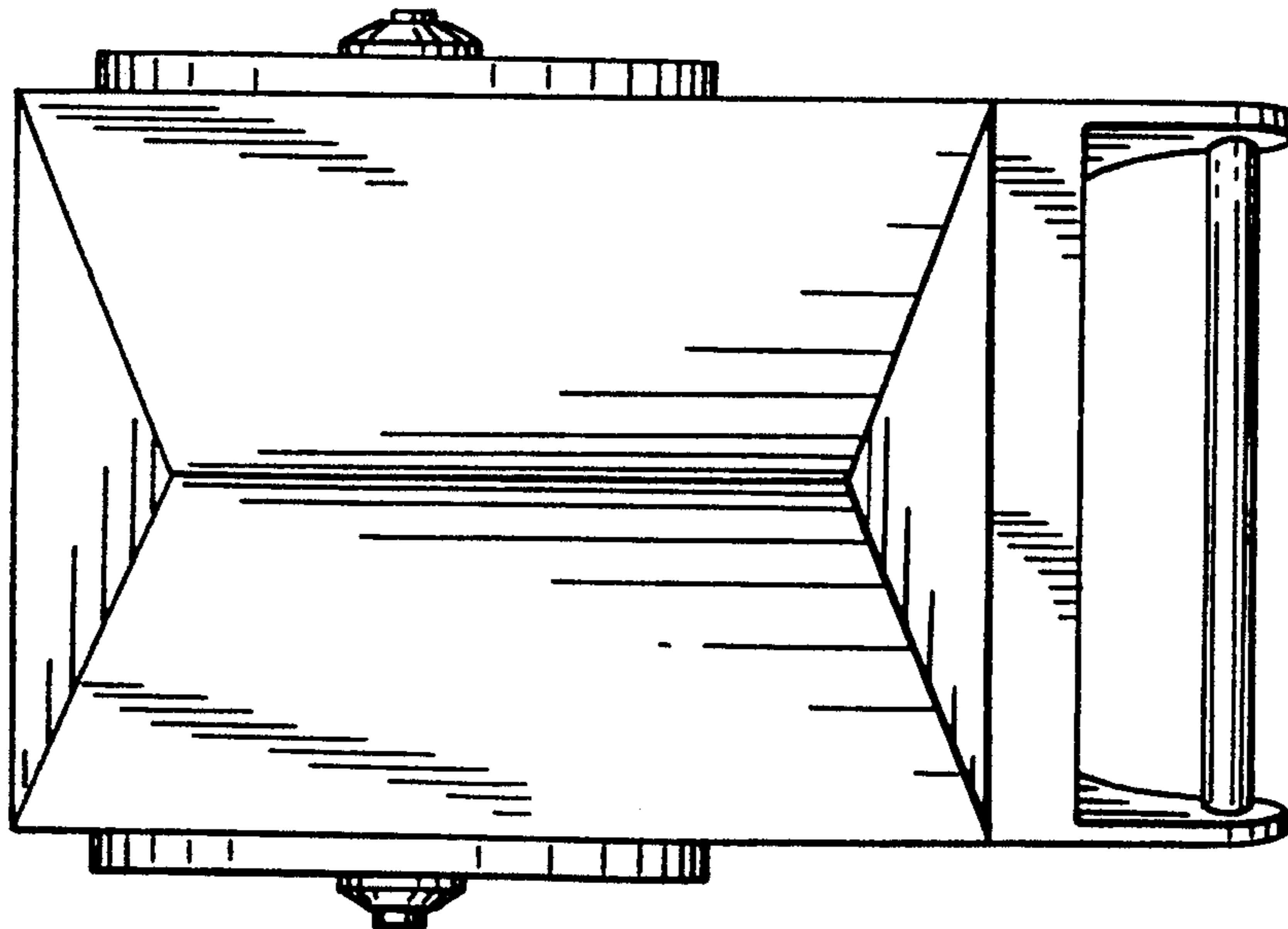
- D. 90,247 7/1933 Harrison ..... D34/14
- D. 156,946 1/1950 Farrell ..... D11/149
- D. 168,503 12/1952 Hallas ..... D6/404
- D. 239,677 4/1976 Shaw ..... D6/404

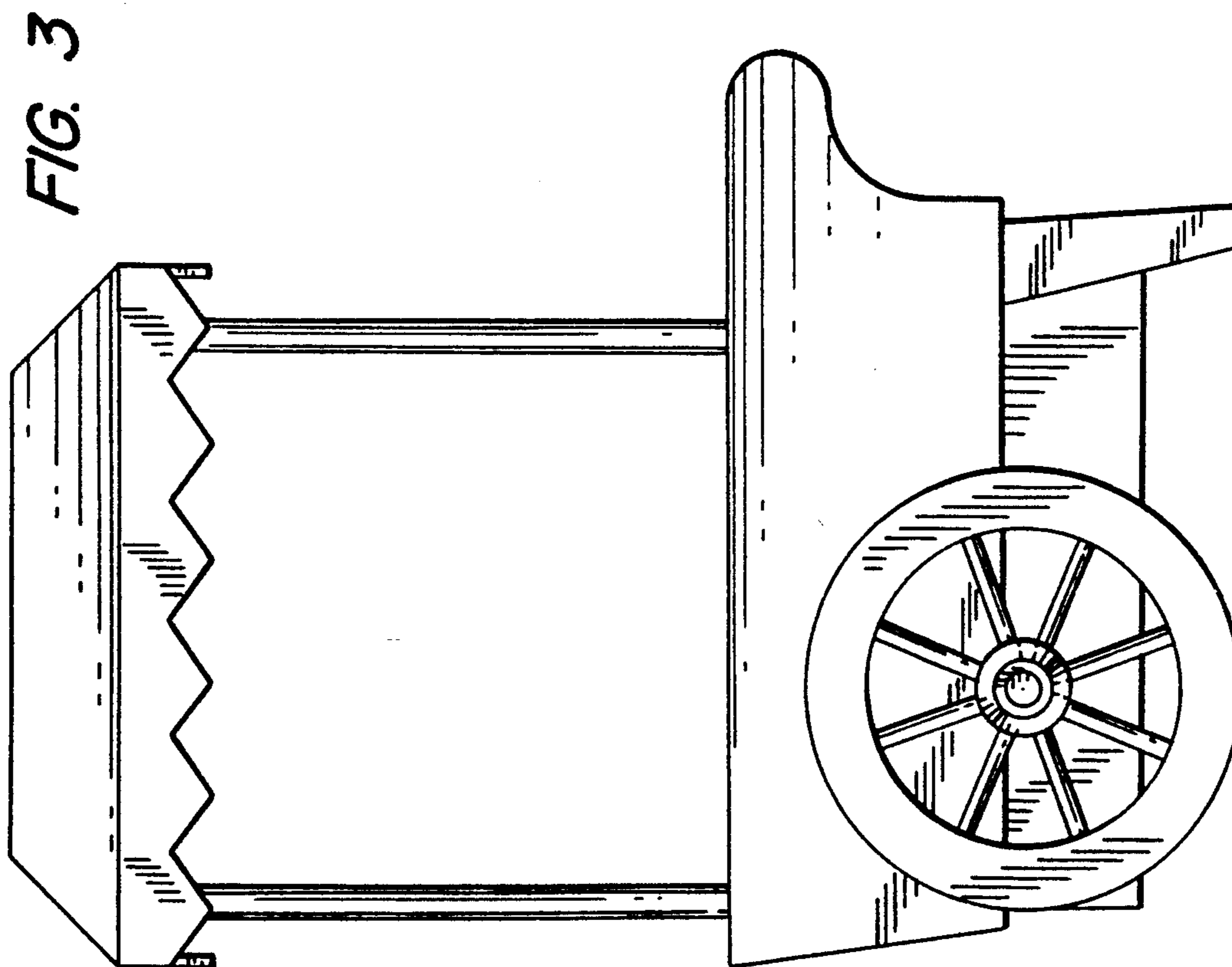
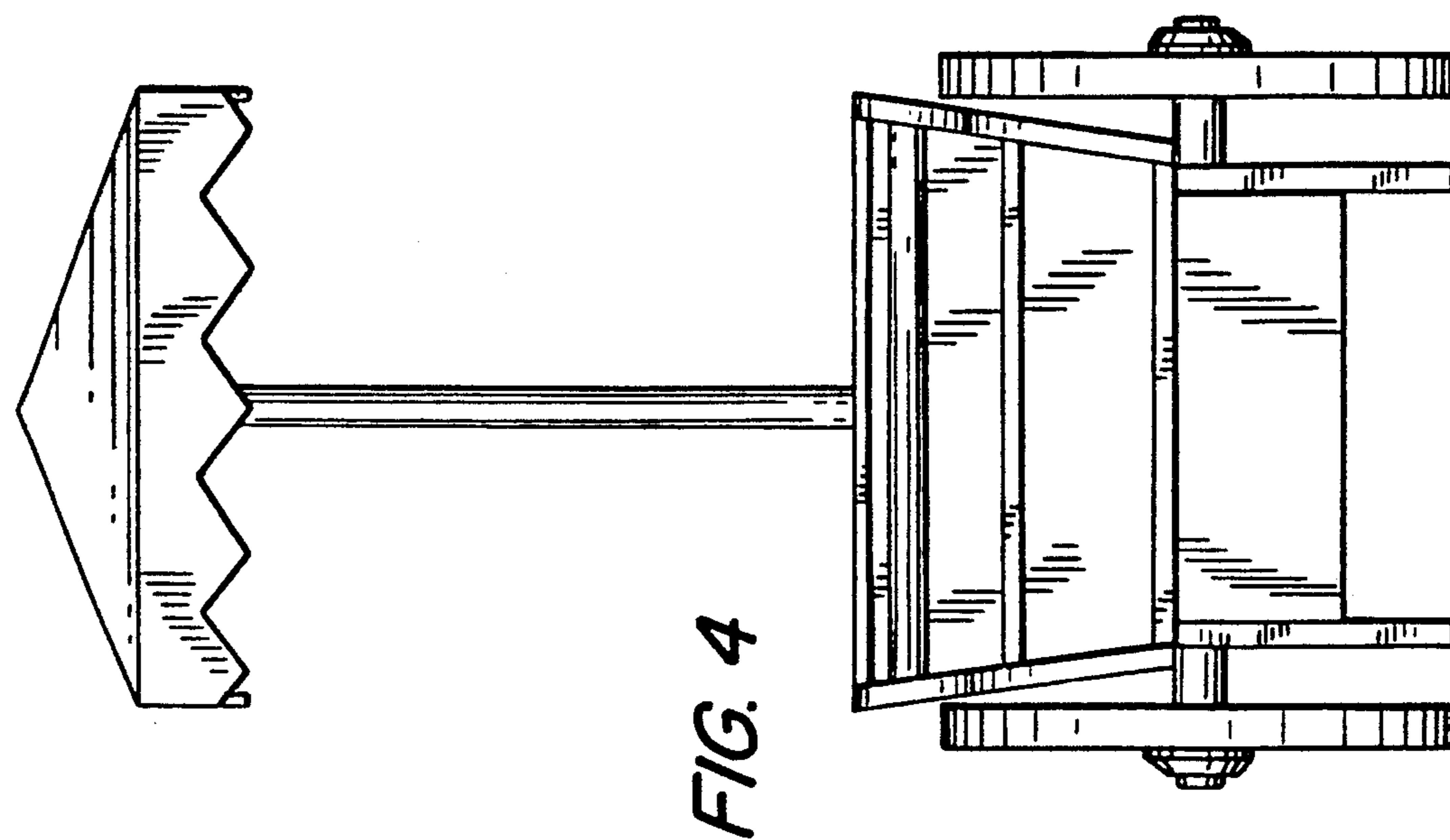


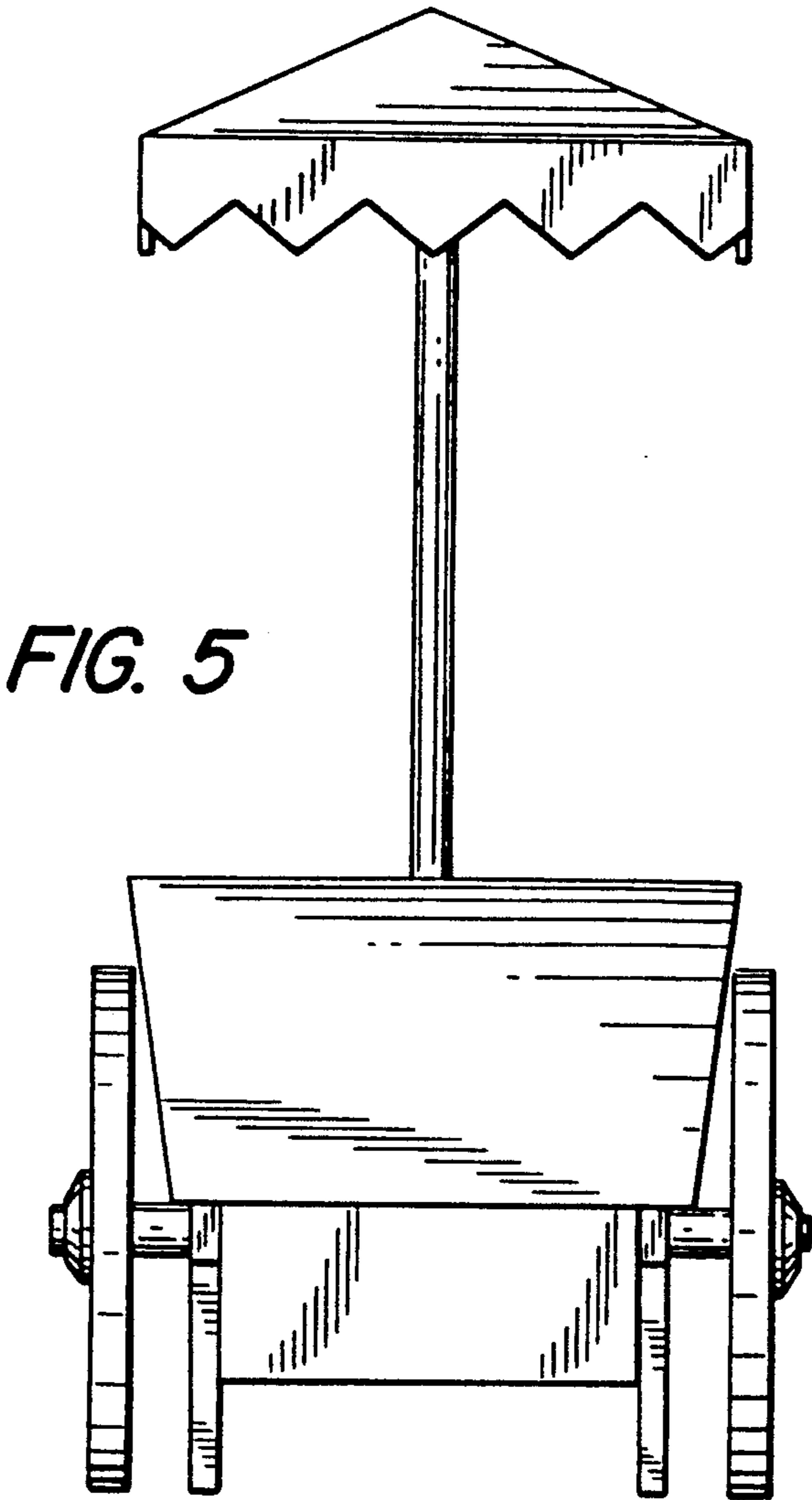
*FIG. 1*



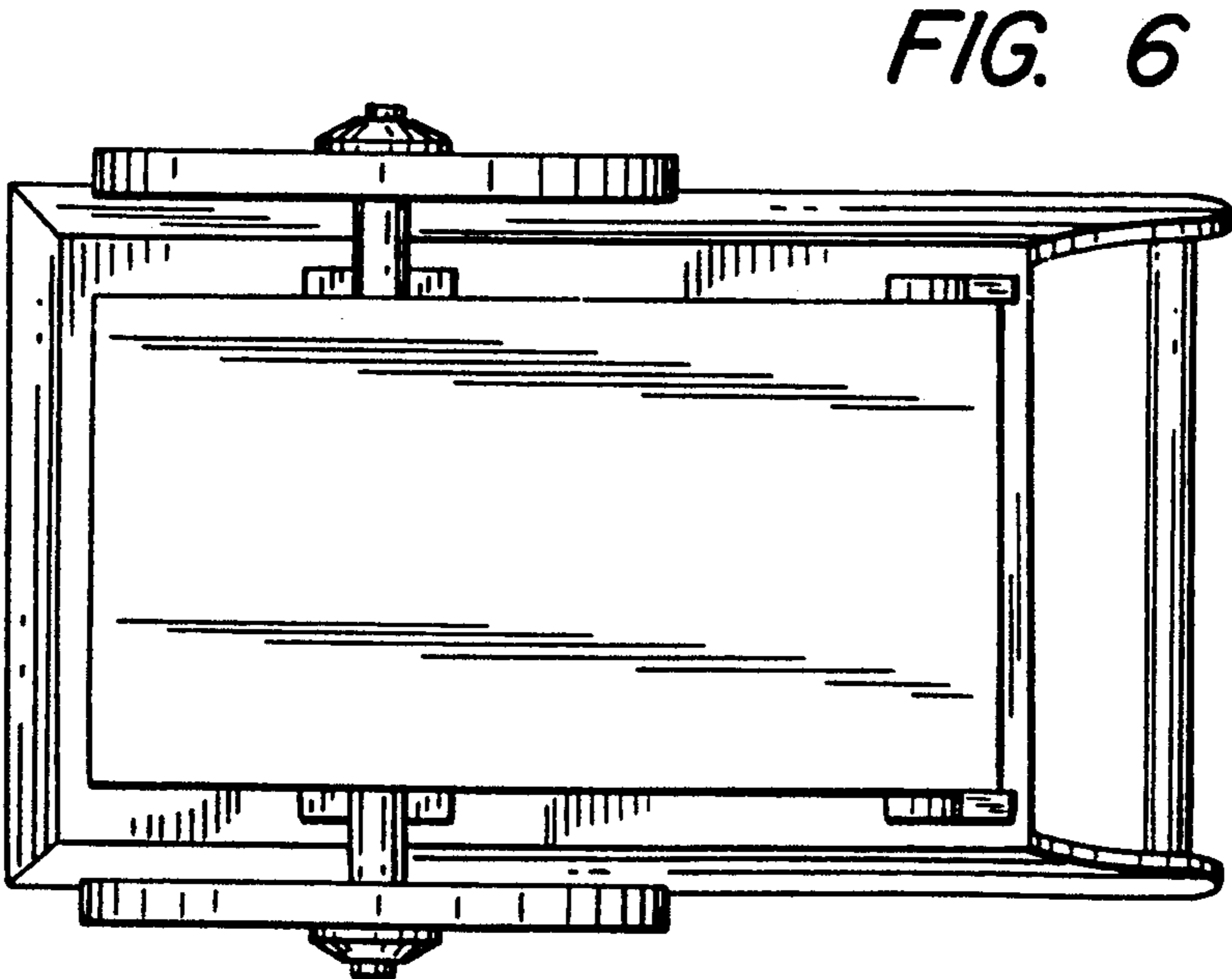
*FIG. 2*







*FIG. 5*



*FIG. 6*