

[54] CHAIR

[76] Inventors: Phillip M. Scalisi, 5871 Furnace Creek Rd., Yorba Linda, Calif. 92686; Joseph F. Scalisi, 808 N. Lorri Way, Walnut, Calif. 91789

[**] Term: 14 Years

[21] Appl. No.: 236,624

[22] Filed: Aug. 25, 1988

[52] U.S. Cl. D6/375; D6/334

[58] Field of Search D6/333, 334, 335, 364, D6/368, 374, 500, 501, 502; 297/440, 442

[56] References Cited

U.S. PATENT DOCUMENTS

D. 143,492	1/1946	Karp	D6/364
D. 181,827	12/1957	White	D6/374
D. 201,433	6/1965	Platner	D6/374 X
D. 213,773	4/1969	Beardmore	D6/335
D. 219,443	12/1970	Hubel	D6/335
D. 220,997	6/1971	Svezia et al.	D6/335
D. 221,936	9/1971	Fear	D6/374
D. 280,578	9/1985	Holden	D6/334 X
D. 283,855	5/1986	Kujawski	D6/333
2,012,117	8/1935	Barron .	
2,361,875	10/1944	Sachs .	
2,822,860	2/1958	Calabrese .	
3,220,362	11/1965	Downes .	
3,312,503	4/1967	Suzuki	D6/368 X
3,714,908	2/1973	Notko .	
4,085,970	4/1978	Klein .	
4,556,253	12/1985	Geneve et al. .	
4,648,658	3/1987	Calco .	
4,813,744	3/1989	Scalisi et al.	297/442 X

Primary Examiner—Bruce W. Dunkins
Assistant Examiner—Gary D. Watson
Attorney, Agent, or Firm—Knobbe, Martens, Olson & Bear

[57] CLAIM

The ornamental design for chair, as shown and described.

DESCRIPTION

FIG. 1 is a front perspective view of a chair showing our new design;
 FIG. 2 is a top plan view of the chair of FIG. 1;
 FIG. 3 is a bottom plan view of the chair of FIG. 1;
 FIG. 4 is a front elevational view of the chair of FIG. 1;
 FIG. 5 is a rear perspective view of the chair of FIG. 1 taken slightly from above;
 FIG. 6 is a rear elevational view of the chair of FIG. 1;
 FIG. 7 is a left side elevational view of the chair of FIG. 1;
 FIG. 8 is a right side elevational view of the chair of FIG. 1;
 FIG. 9 is a front perspective view of a chair showing a second embodiment of our new design;
 FIG. 10 is a top plan view of the chair of FIG. 9;
 FIG. 11 is a front elevational view of the chair of FIG. 9;
 FIG. 12 is a bottom plan view of the chair of FIG. 9;
 FIG. 13 is a rear perspective view of the chair of FIG. 9 taken slightly from above;
 FIG. 14 is a rear elevational view of the chair of FIG. 9;
 FIG. 15 is a left side elevational view of the chair of FIG. 9; and
 FIG. 16 is a right side elevational view of the chair of FIG. 9.

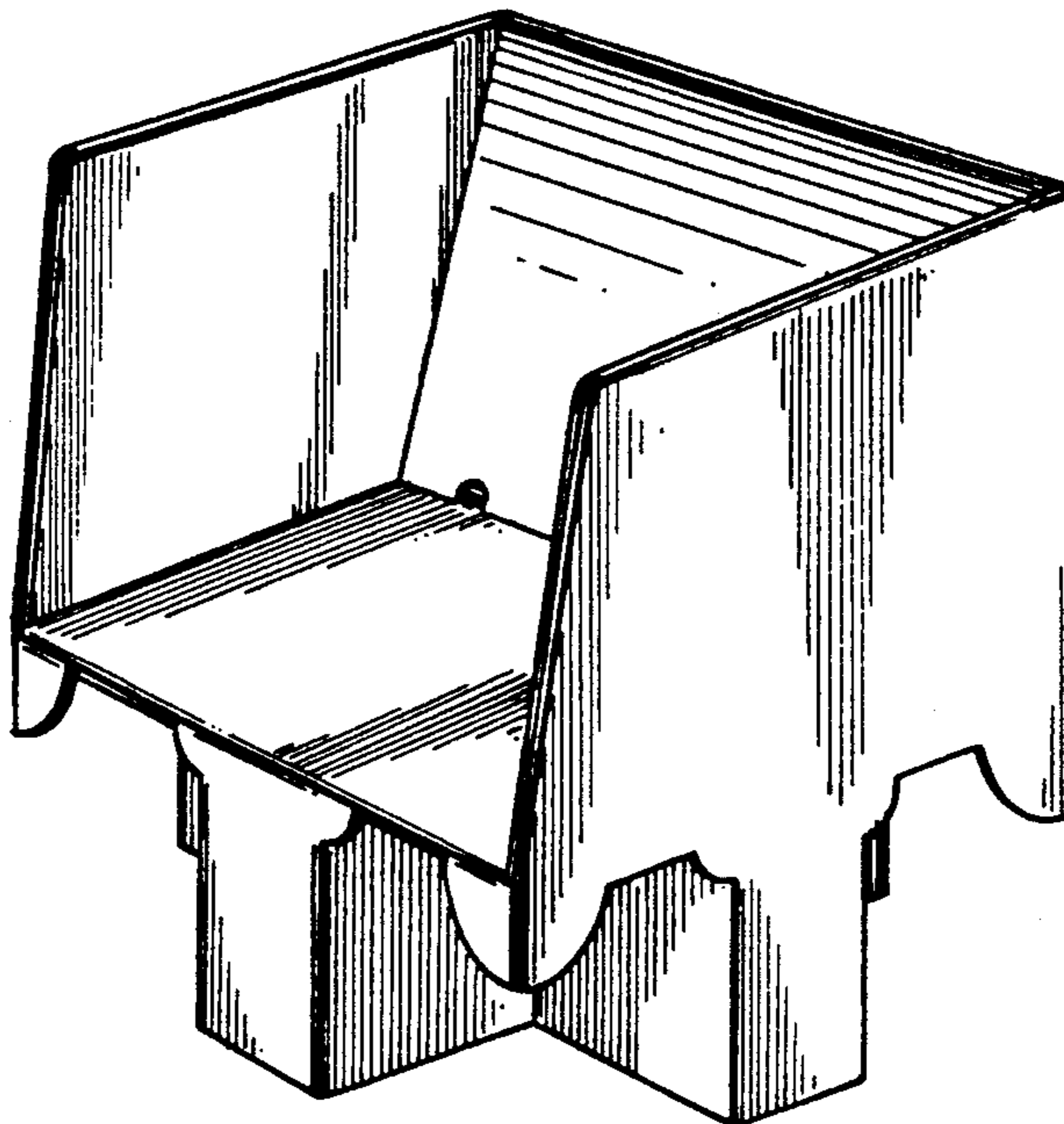


FIG. 1

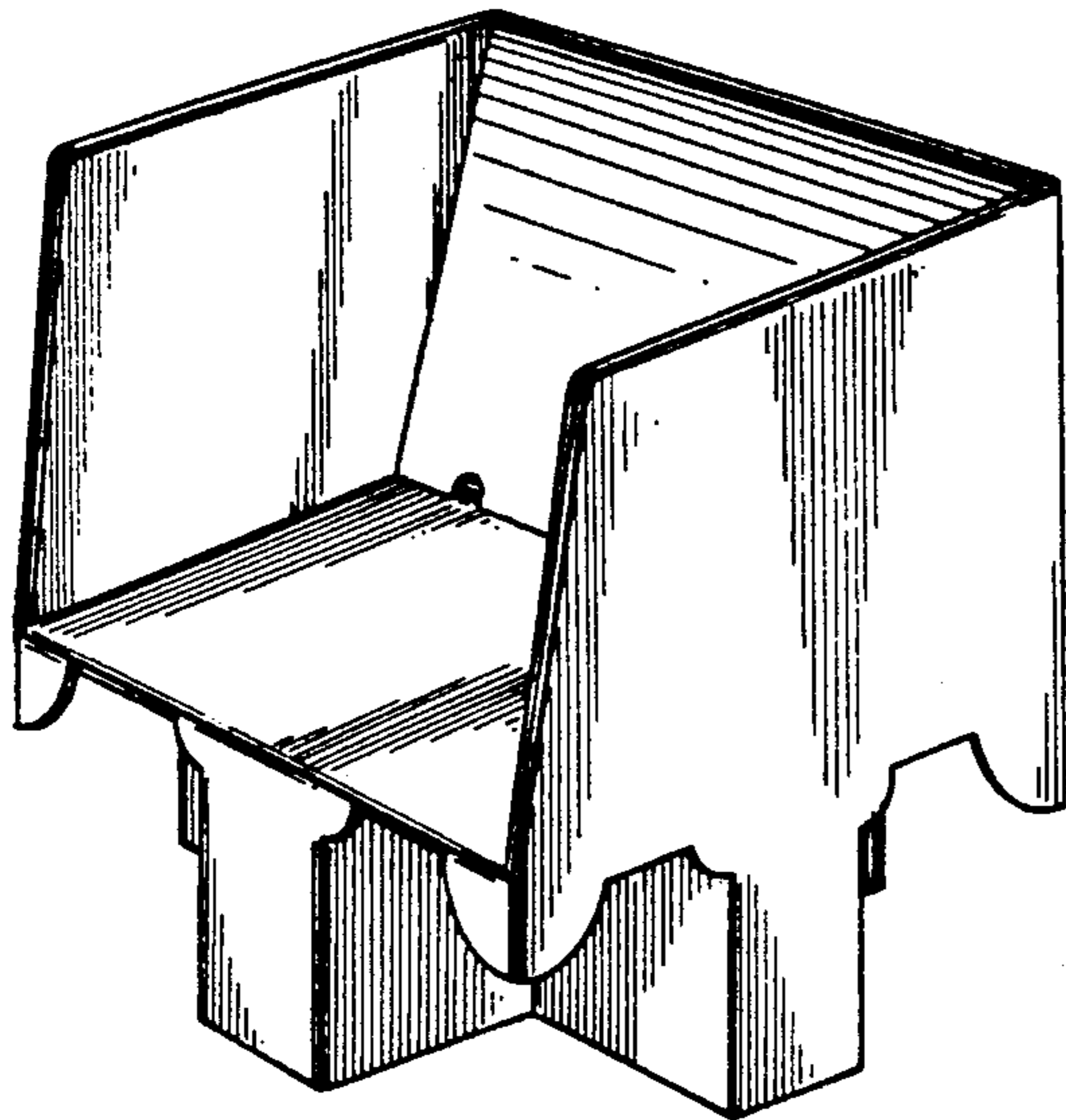


FIG. 2

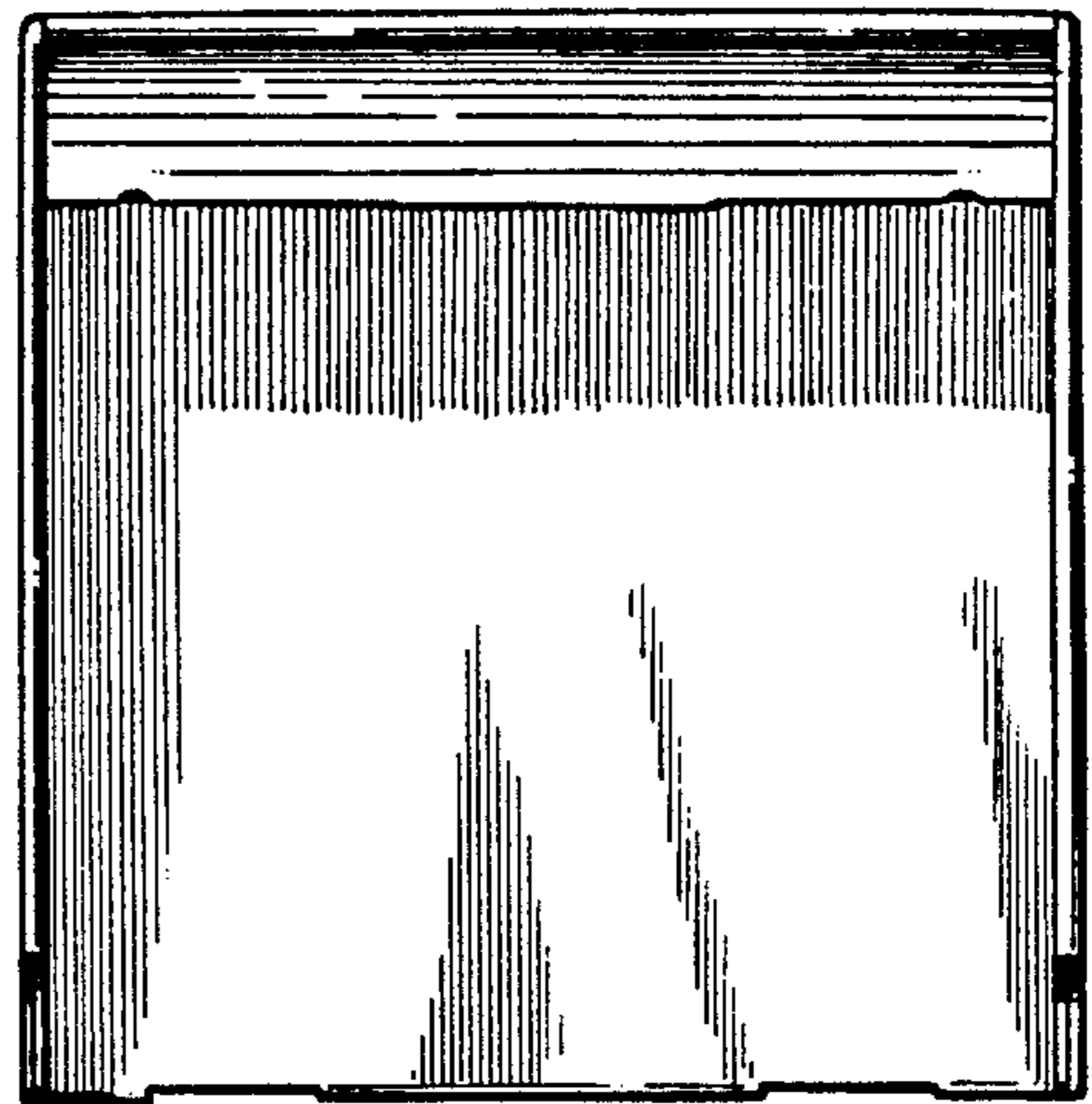


FIG. 4

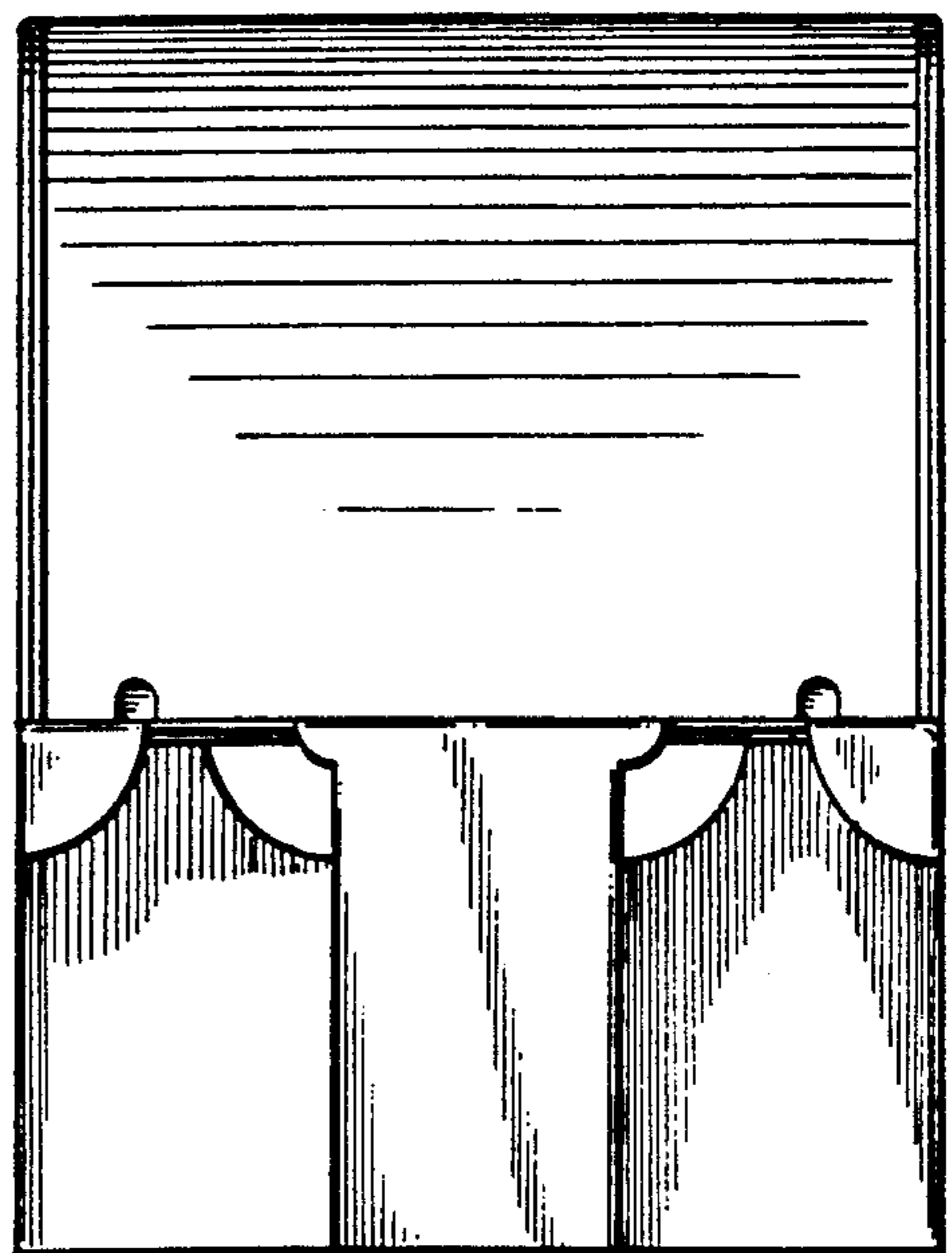


FIG. 3

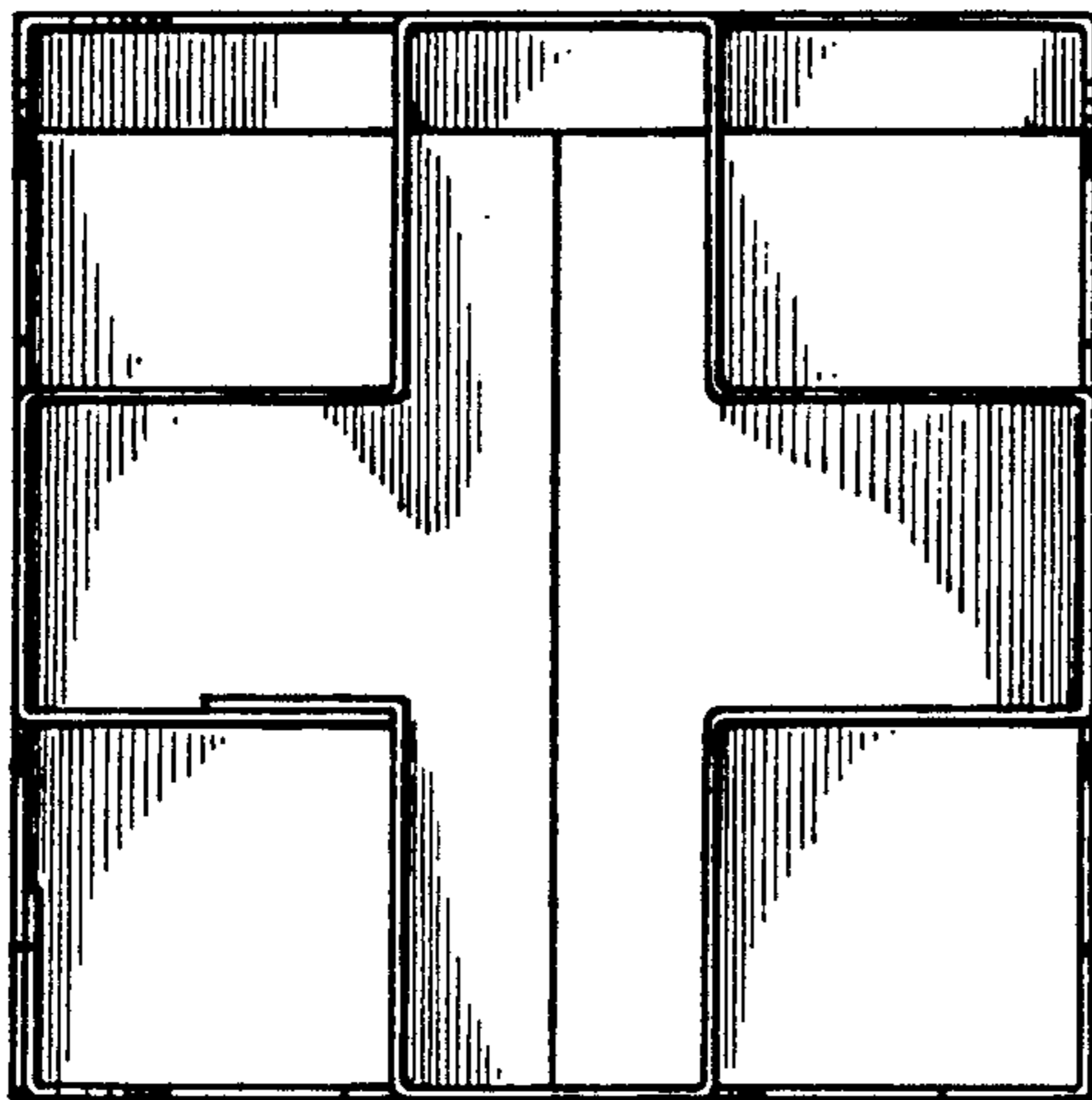


FIG. 5

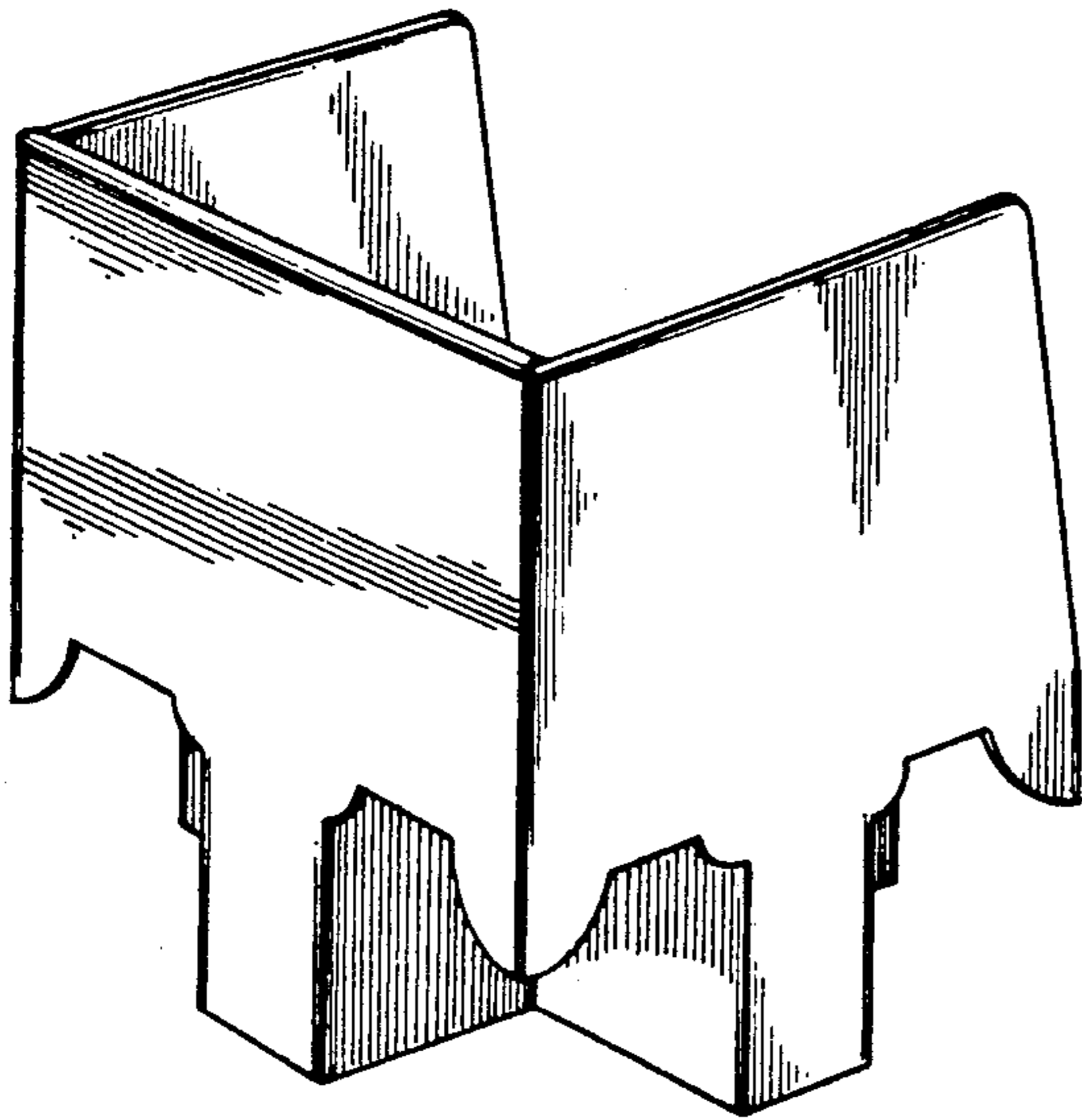


FIG. 6

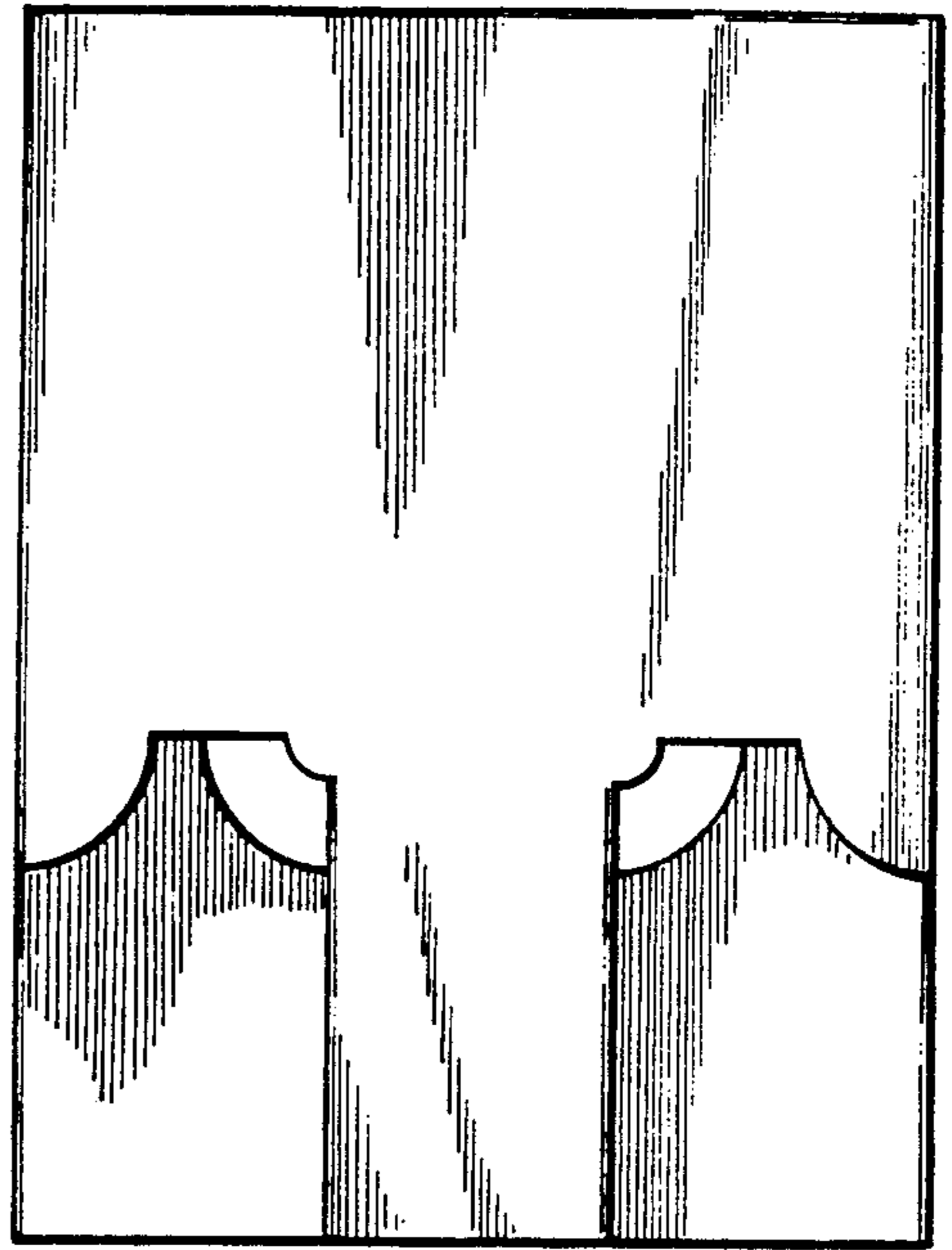


FIG. 7

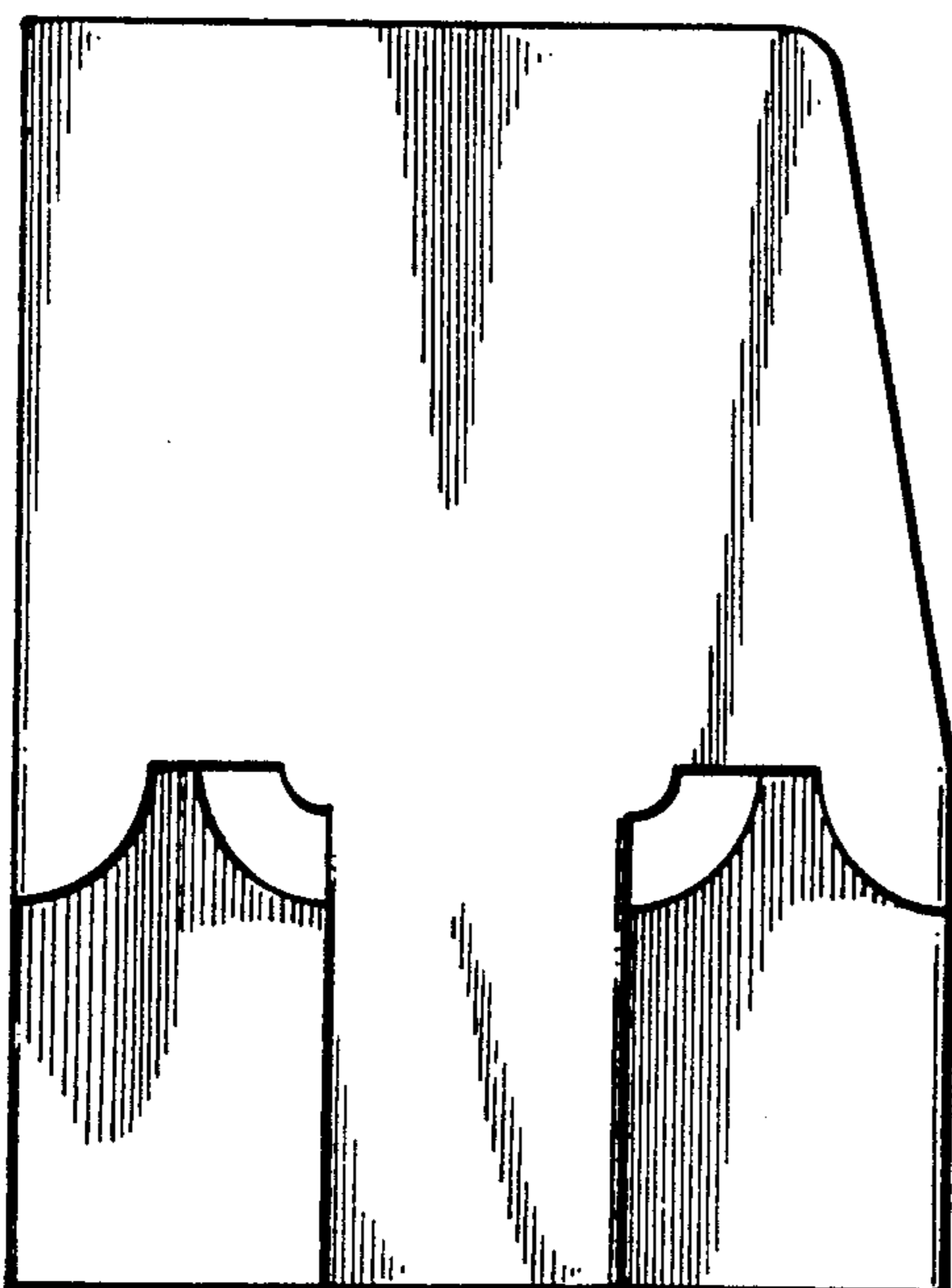


FIG. 8

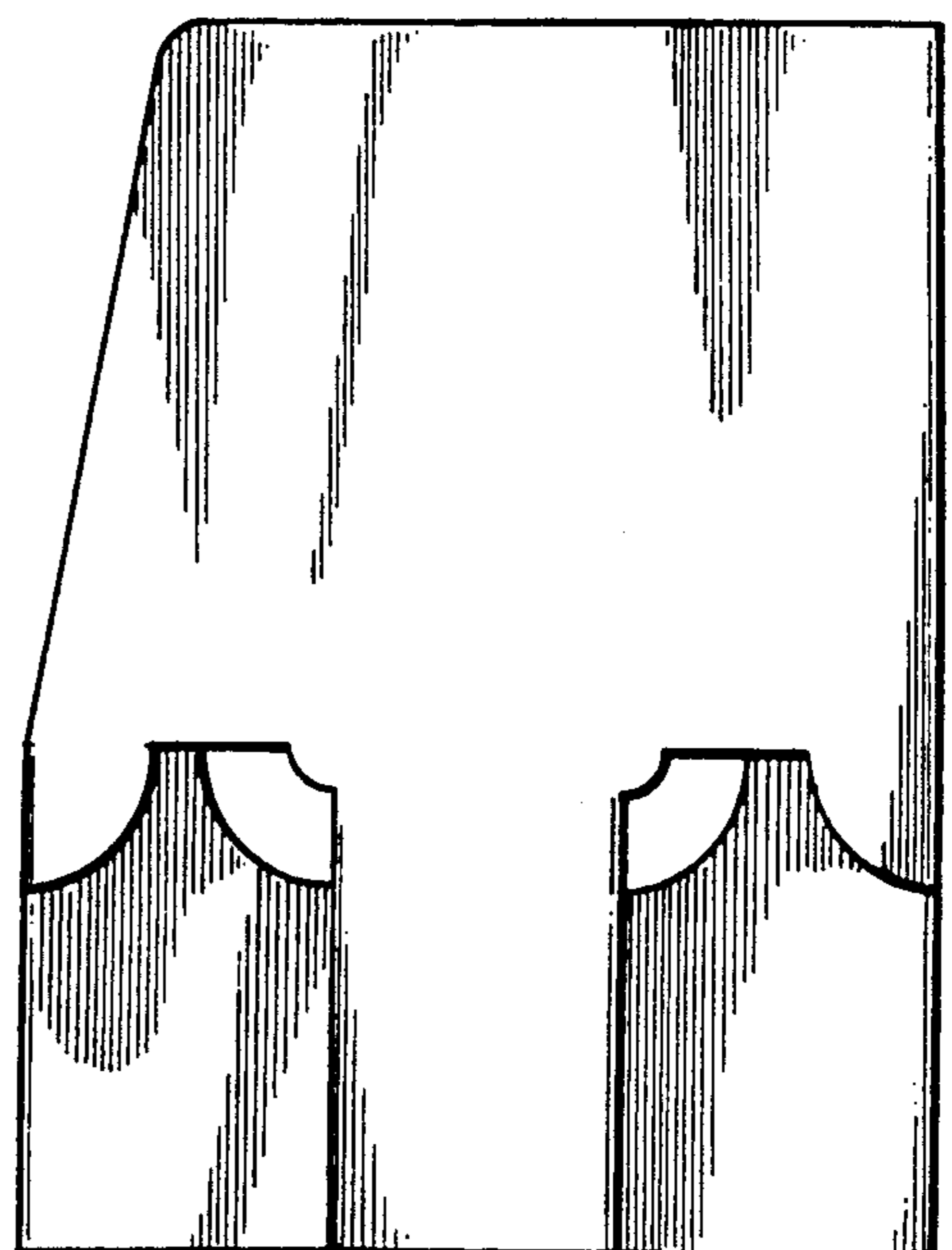


FIG. 9

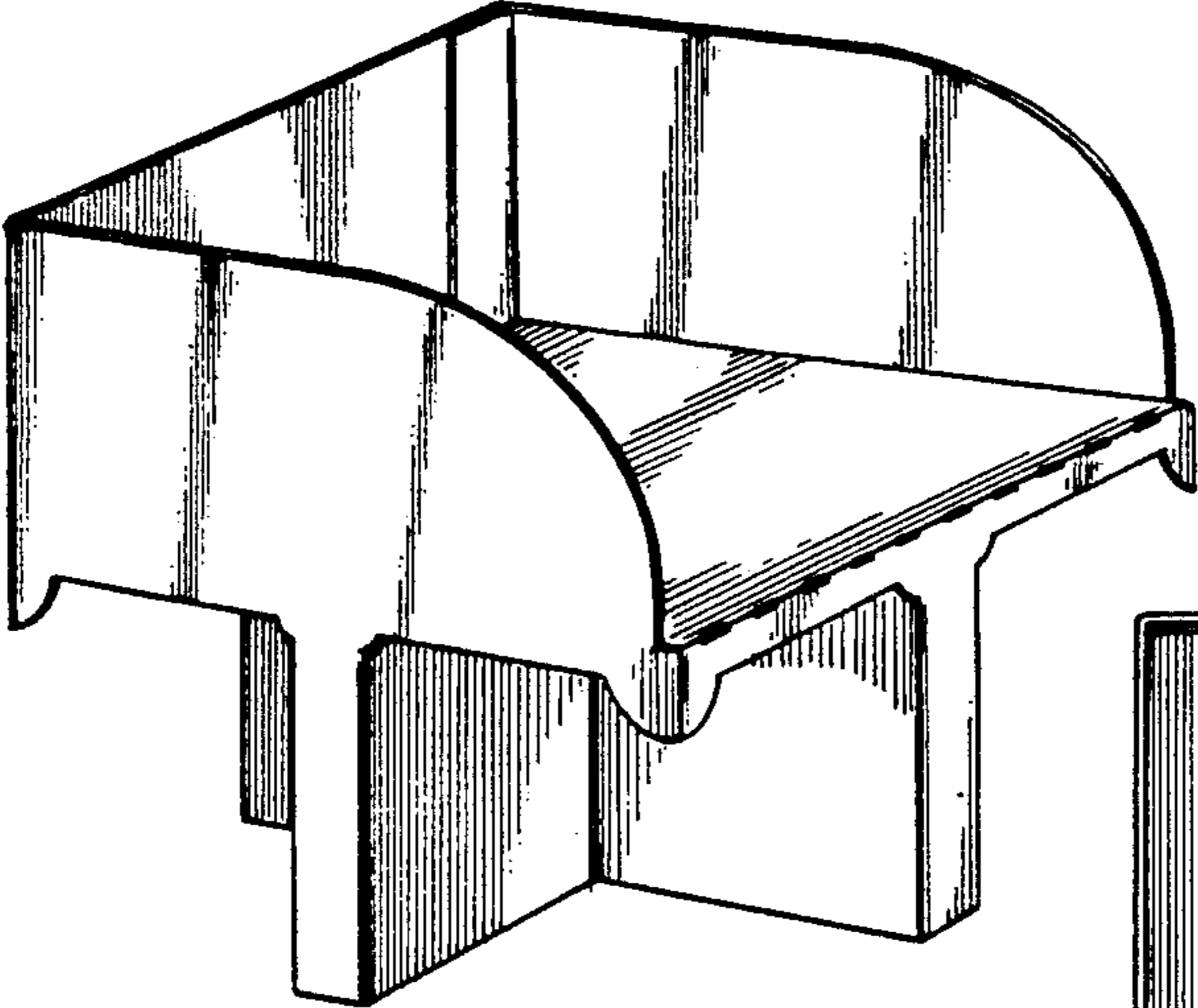


FIG. 10

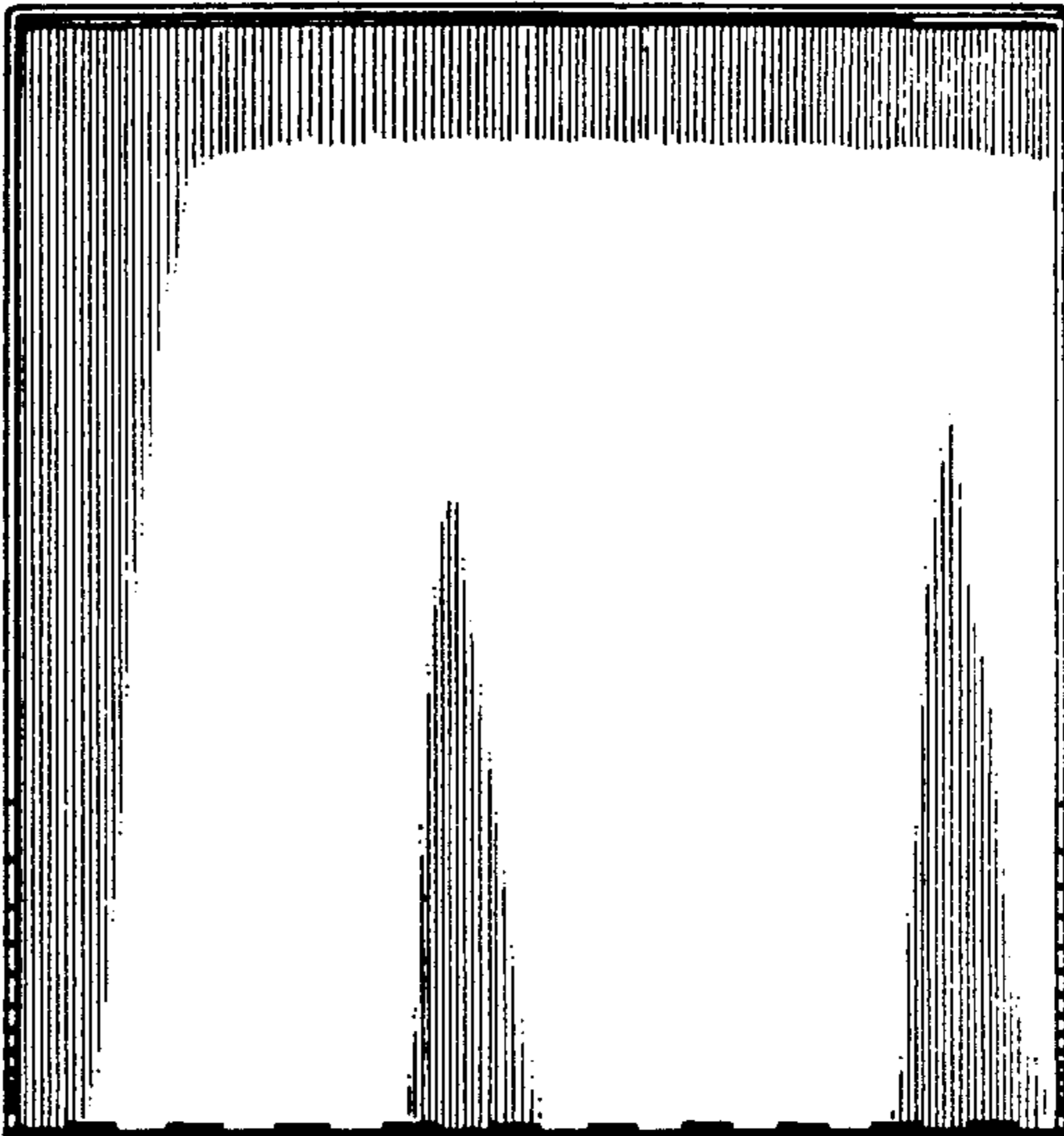


FIG. 11

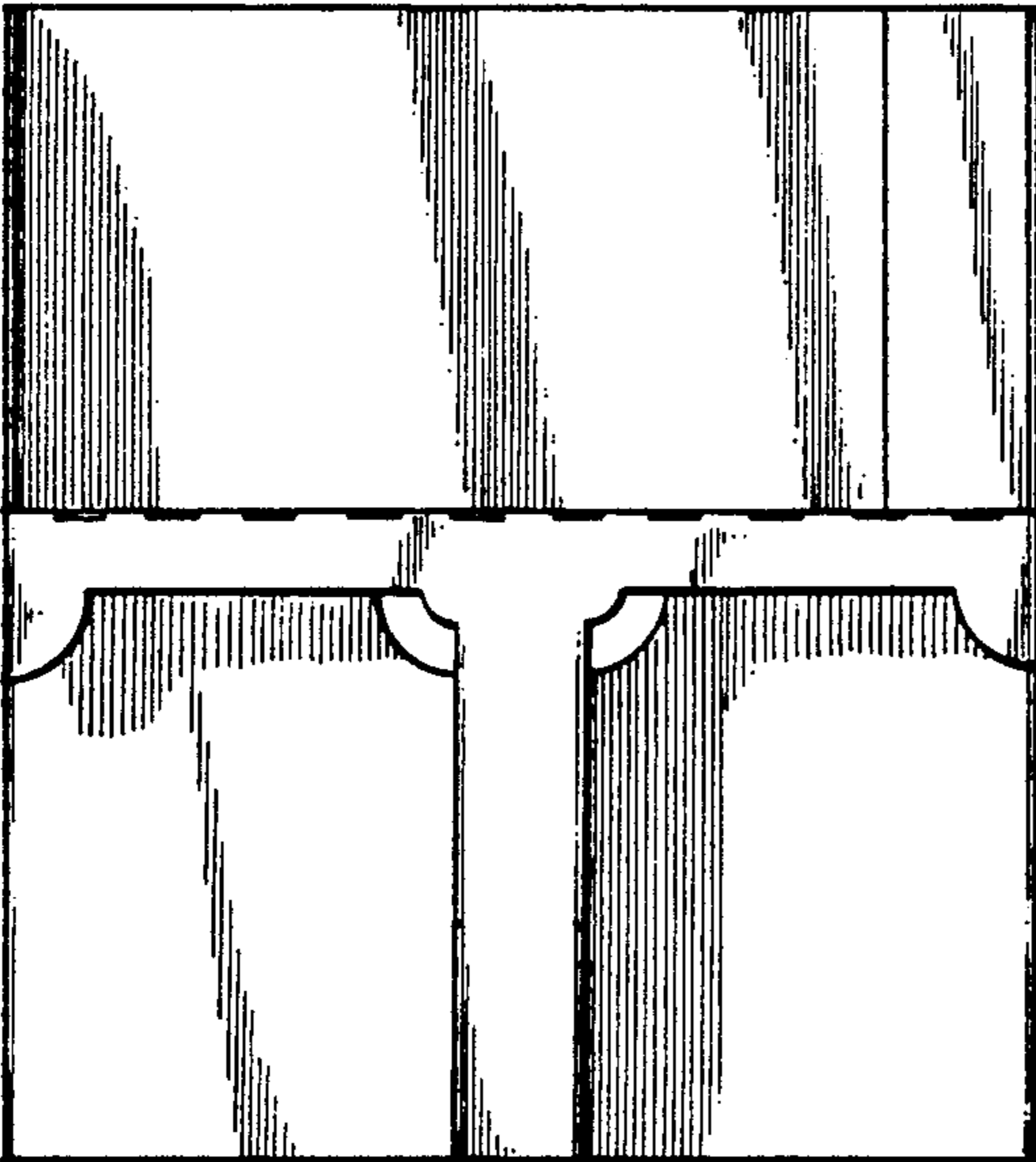


FIG. 12

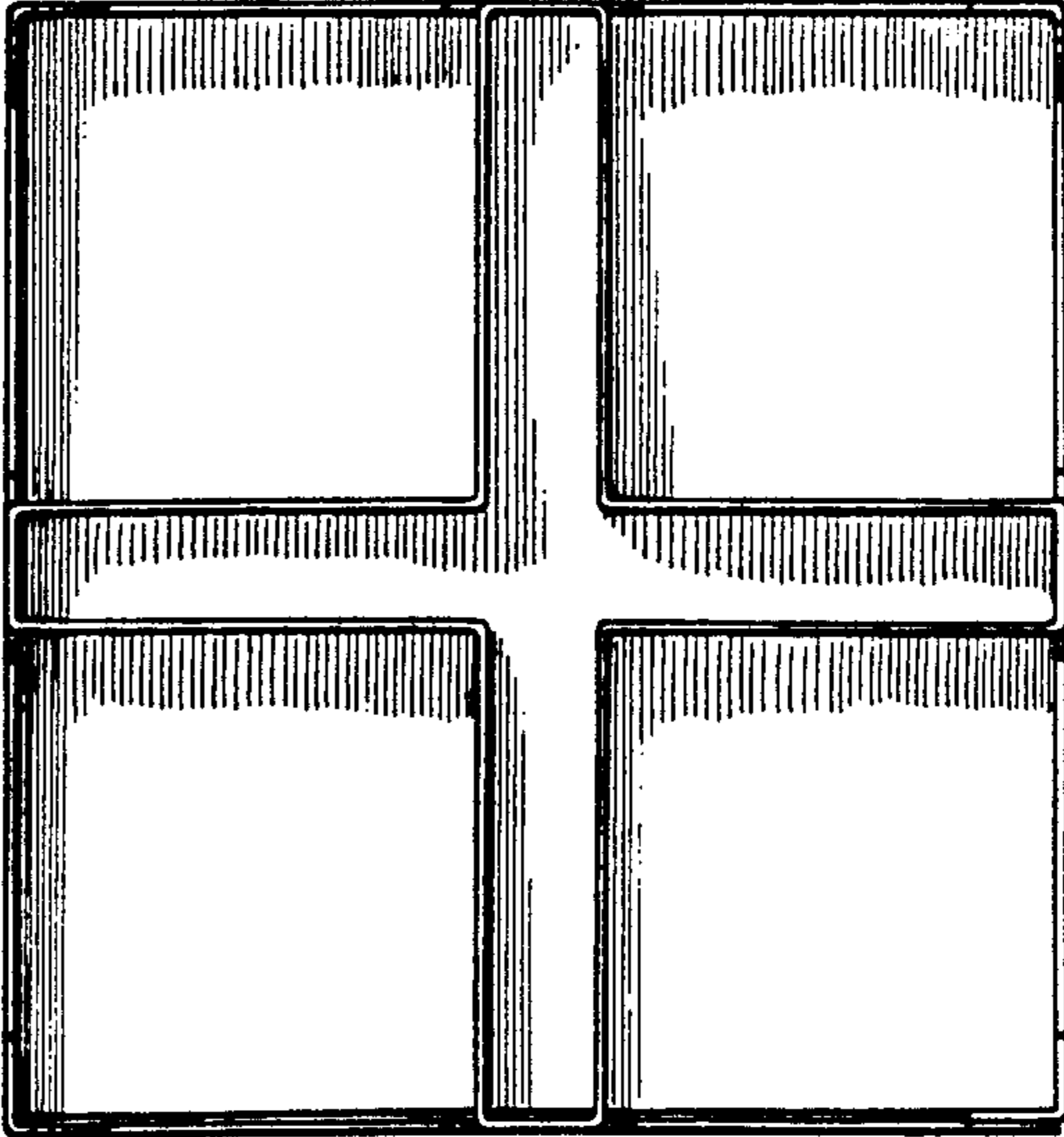


FIG. 13

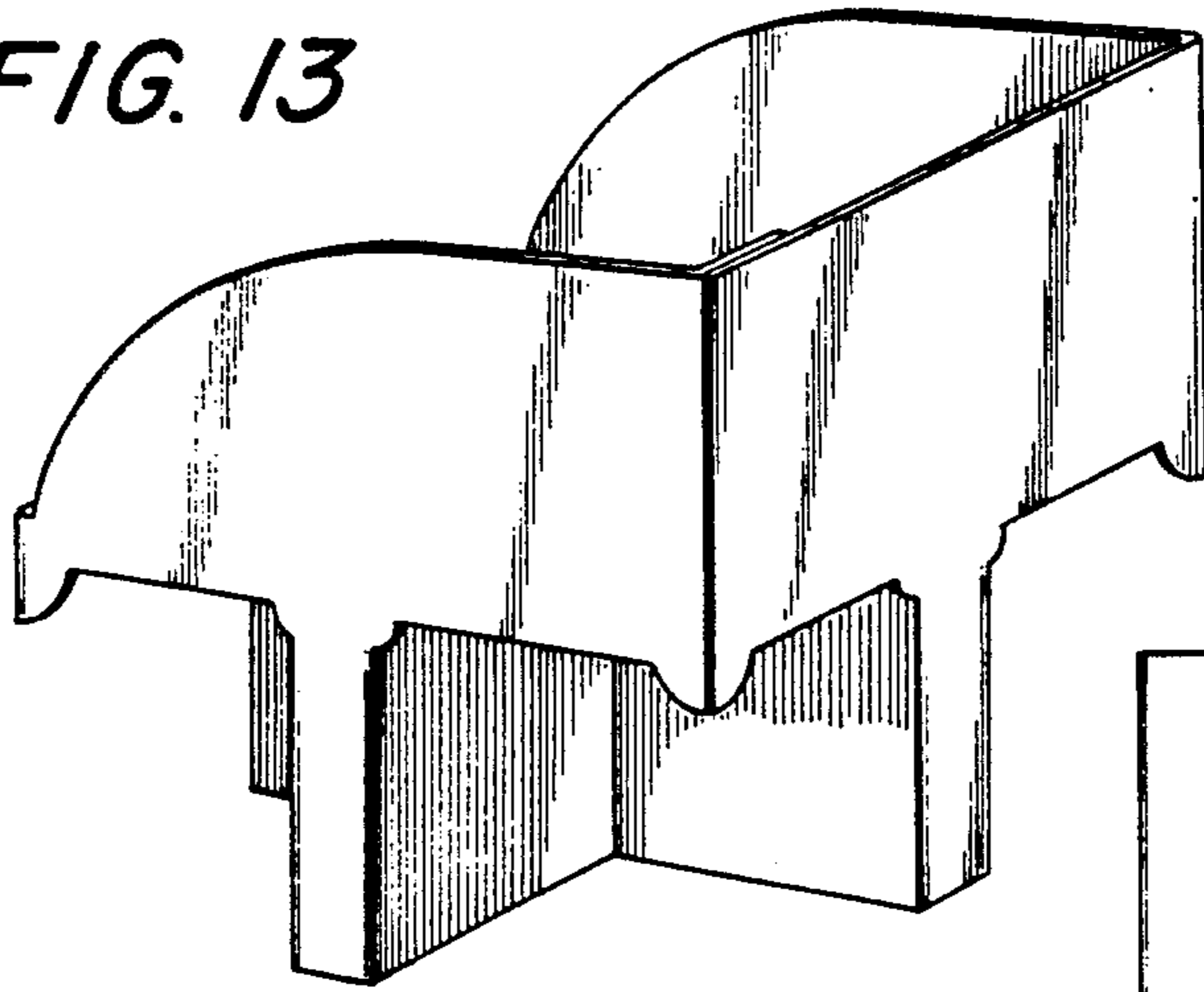


FIG. 14

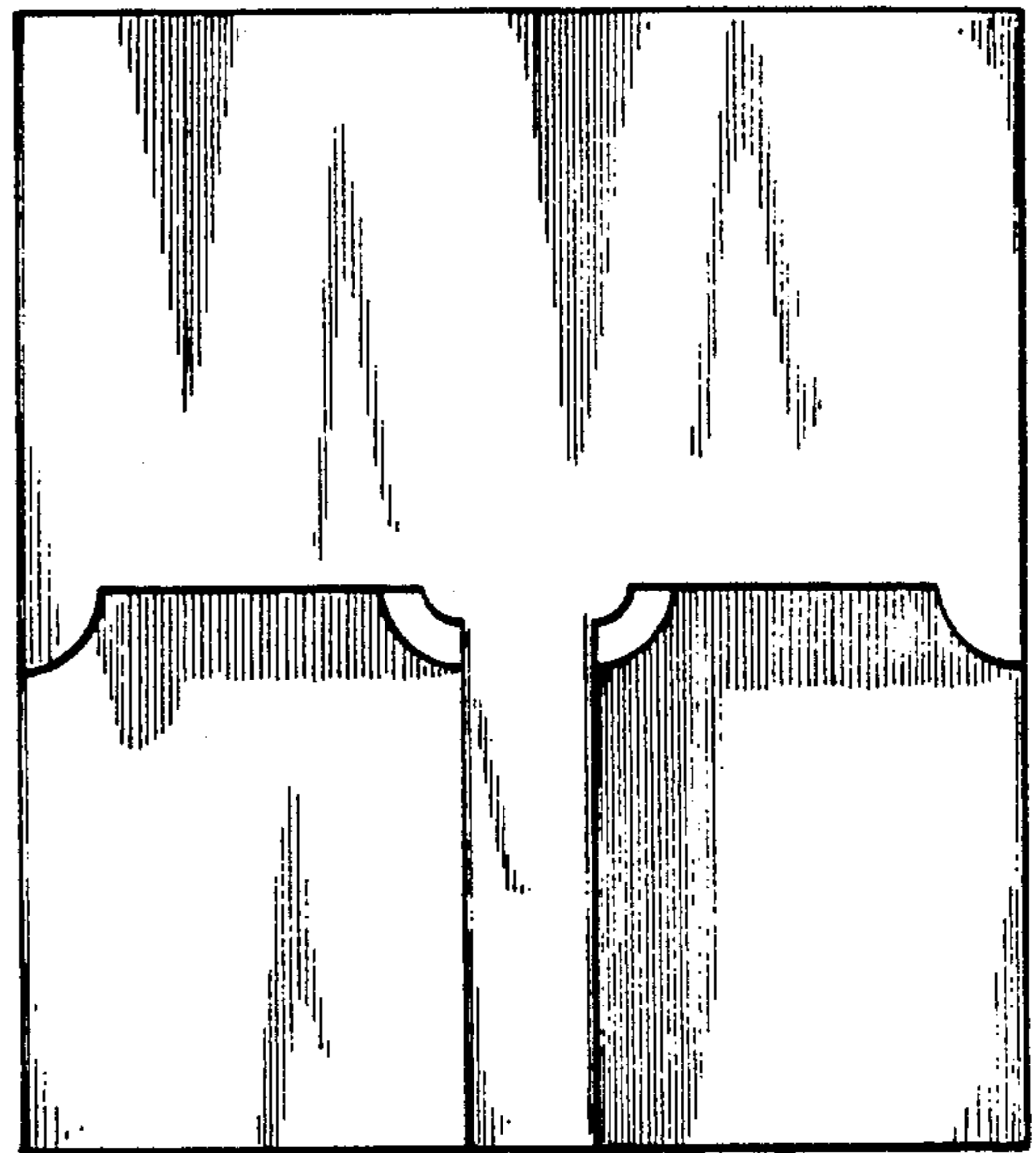


FIG. 15

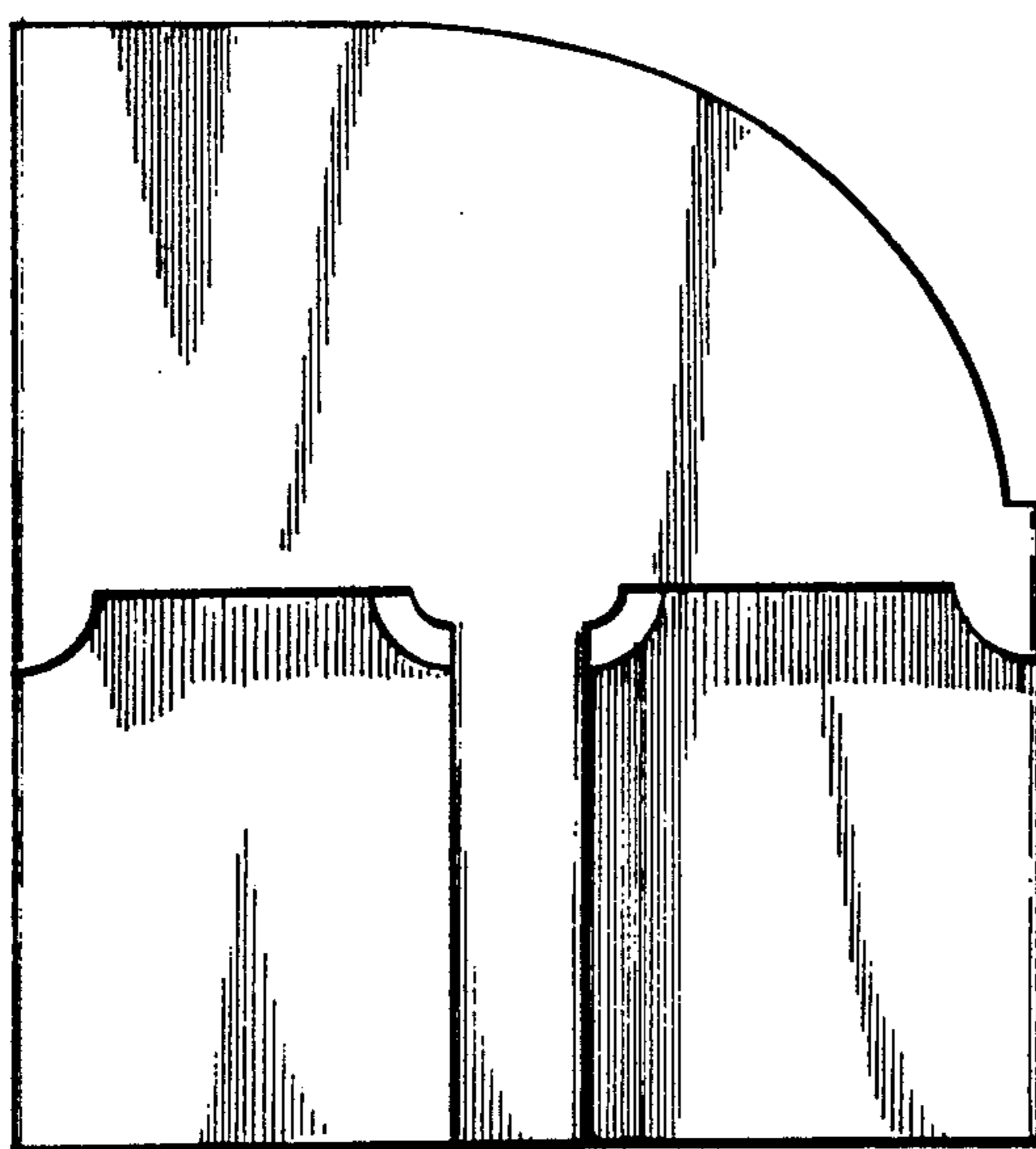


FIG. 16

