

[54] HIP ROOF TOOL BOX

[75] Inventor: Thomas Dickinson, St. Louis, Mo.

[73] Assignee: Contico International Company, St. Louis, Mo.

[\*\*] Term: 14 Years

[21] Appl. No.: 80,697

[22] Filed: Aug. 3, 1987

[52] U.S. Cl. .... D3/78; D3/73; D3/77

[58] Field of Search ..... D3/30.1, 38, 72, 76, D3/78, 35; D34/43; D9/327; 312/290, DIG. 33; 43/54.1, 57.1; 206/315.11, 373, 372, 544

[56] References Cited

U.S. PATENT DOCUMENTS

- D. 237,134 10/1975 Westmoreland ..... D3/78
- D. 278,206 4/1985 Burdick ..... D9/327
- D. 293,735 1/1988 Ault ..... D3/78 X
- D. 306,096 2/1990 Dickinson et al. .... D3/72

- 3,050,356 8/1962 Messmer ..... 206/315.11 X
- 3,426,889 2/1969 Fuller ..... 206/544
- 3,921,807 11/1975 Duevel ..... 206/544
- 3,987,829 10/1976 Leone ..... 220/352
- 4,488,669 12/1984 Waters ..... 224/273

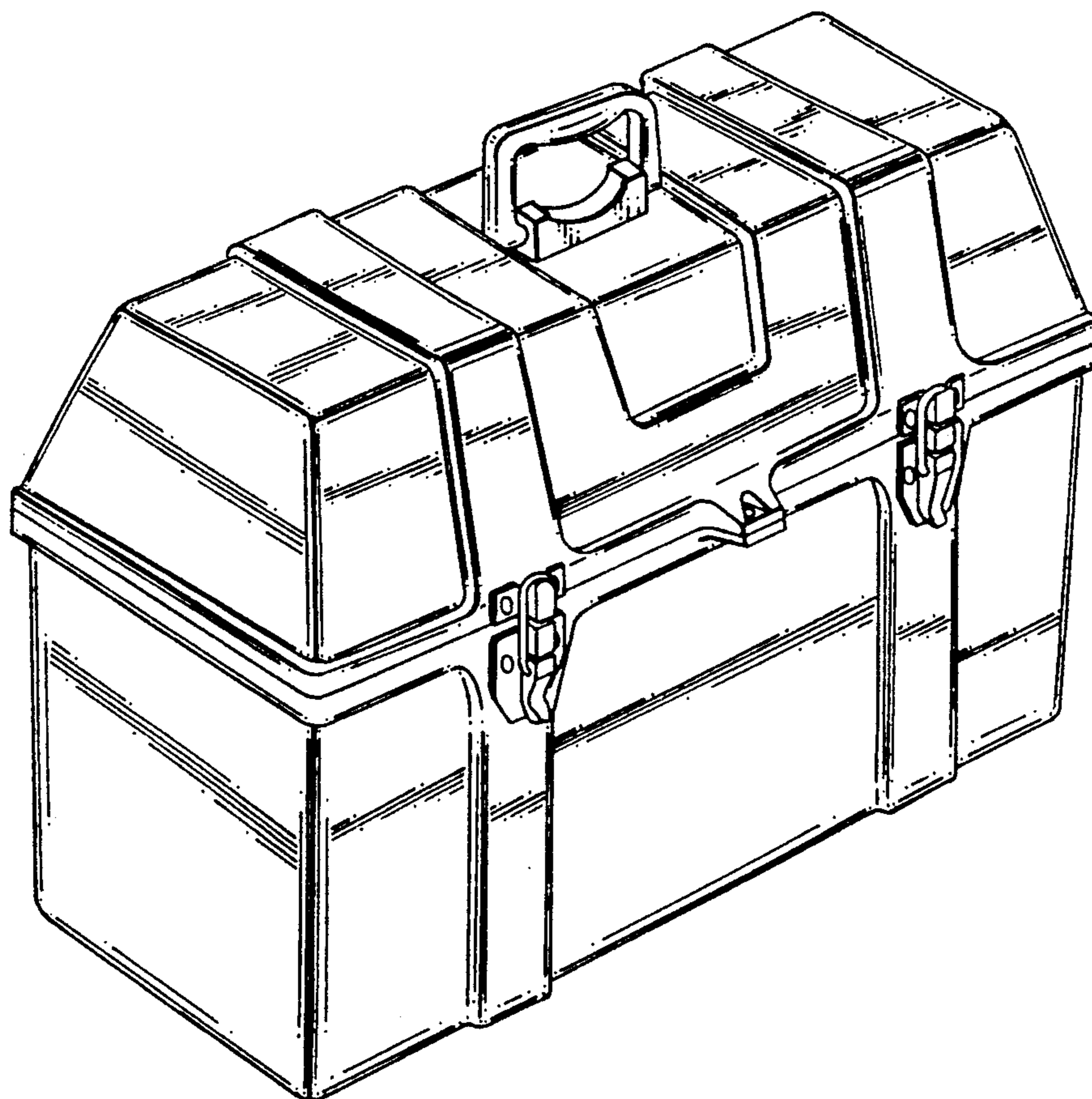
Primary Examiner—A. Hugo Word  
Assistant Examiner—Doris V. Coles  
Attorney, Agent, or Firm—Sandler, Greenblum, & Bernstein

[57] CLAIM

The ornamental design for a hip roof tool box, as shown and described.

DESCRIPTION

- FIG. 1 is a front perspective view of a hip roof tool box showing my new design.
- FIG. 2 is a front elevational view thereof.
- FIG. 3 is a right side elevational view thereof.
- FIG. 4 is a left side elevational view thereof.
- FIG. 5 is a top plan view thereof.
- FIG. 6 is a bottom plan view thereof.
- FIG. 7 is a rear elevational view thereof.



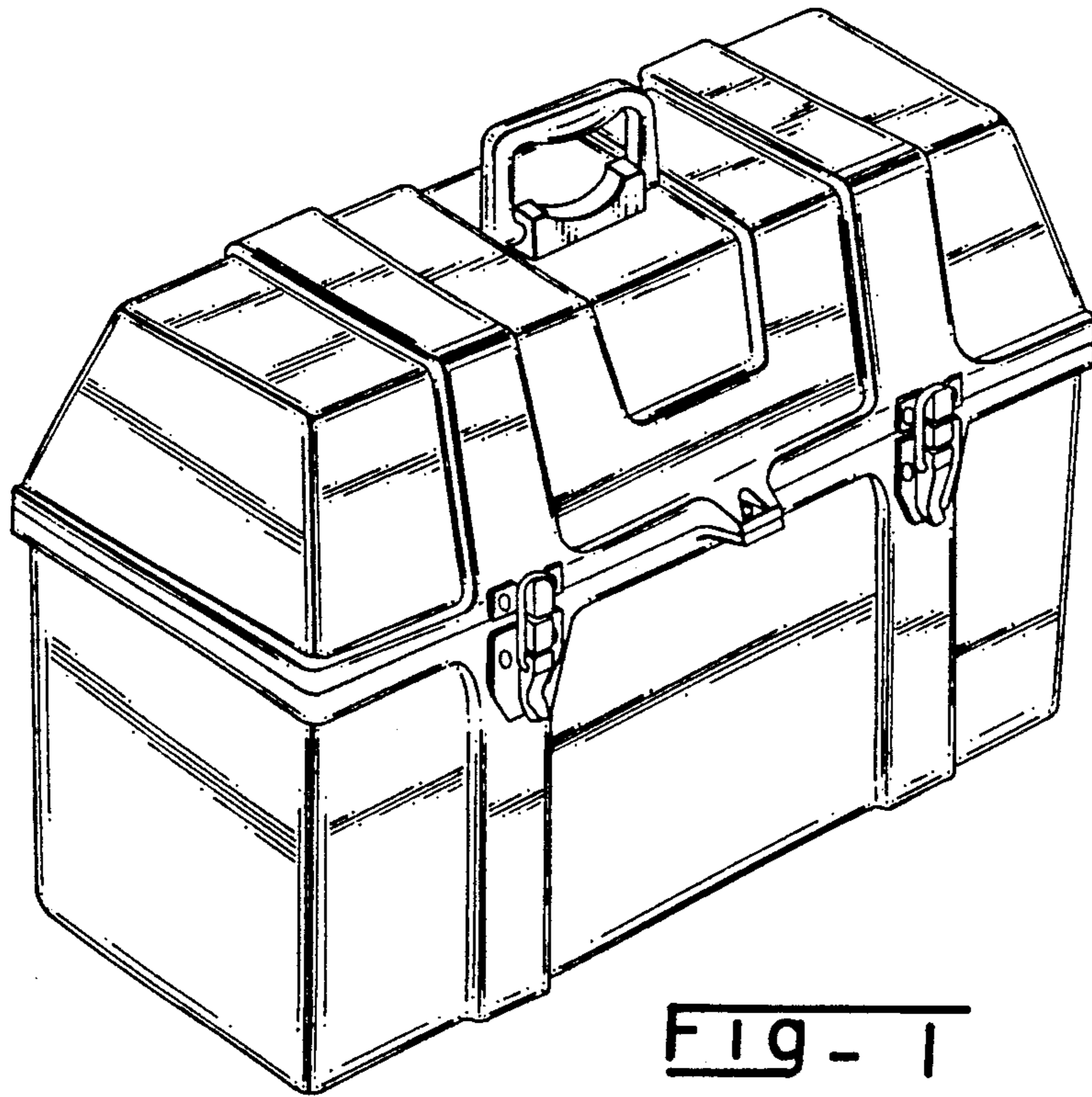


FIG-1

FIG-2

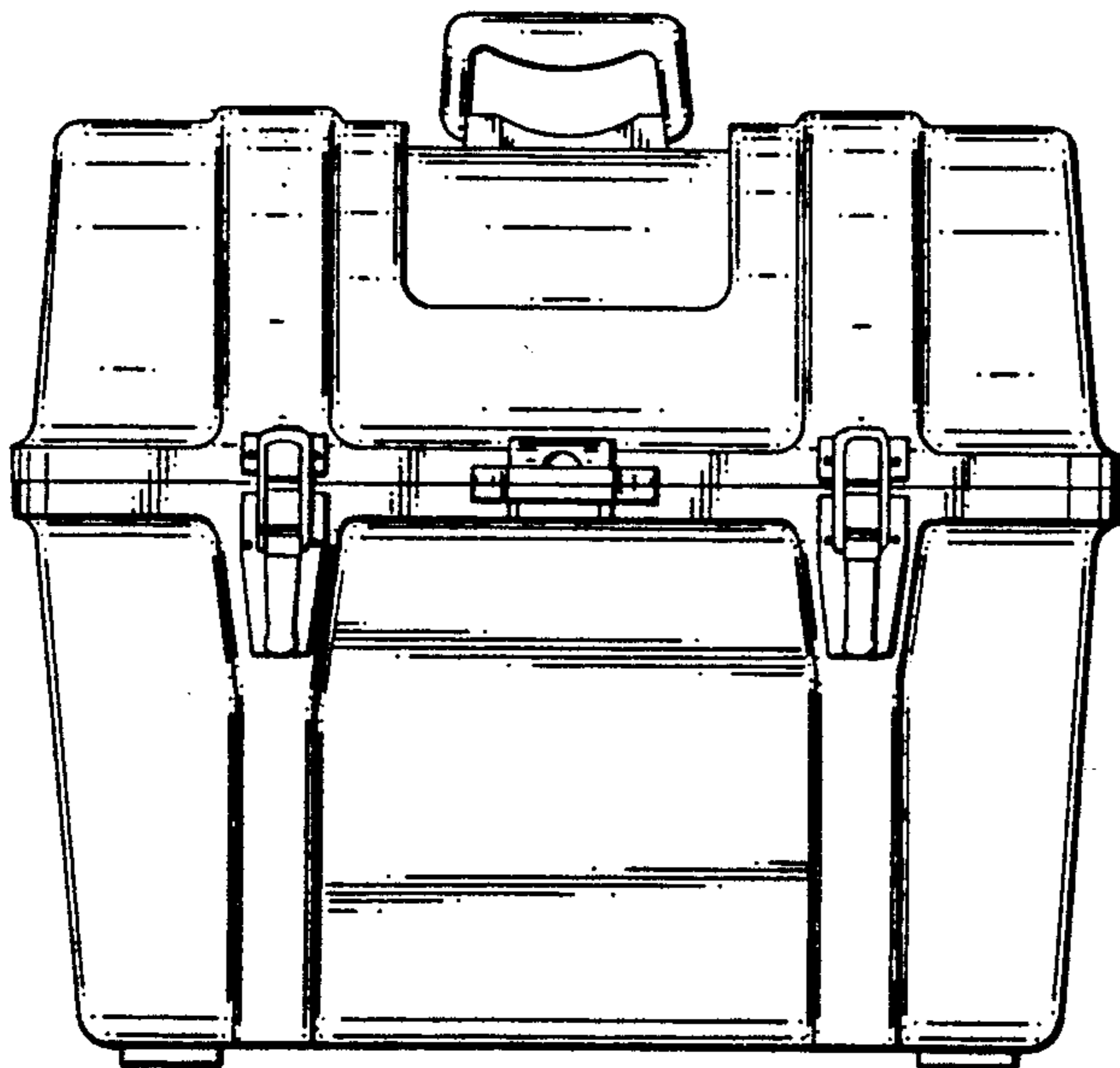
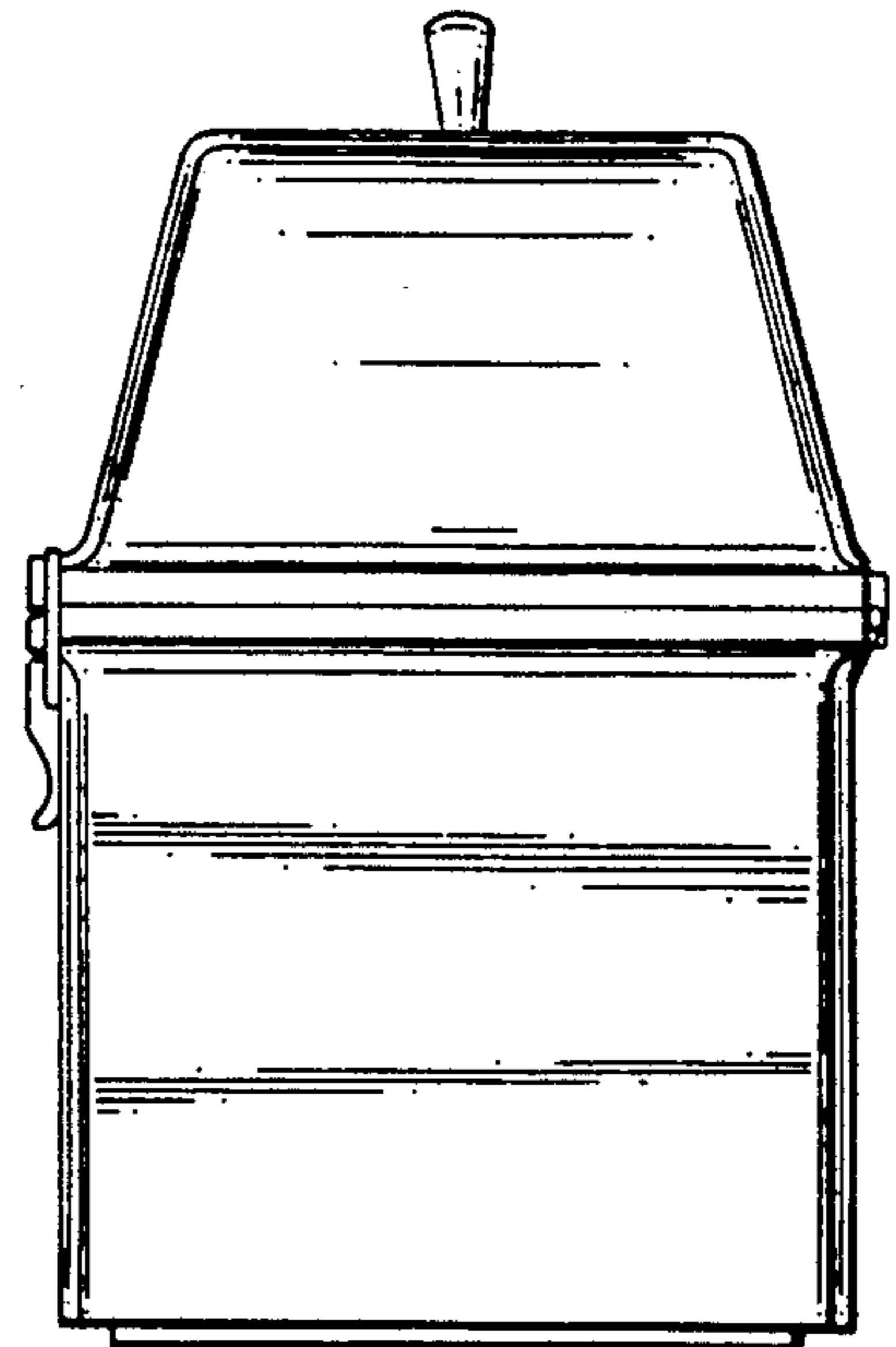


FIG-3



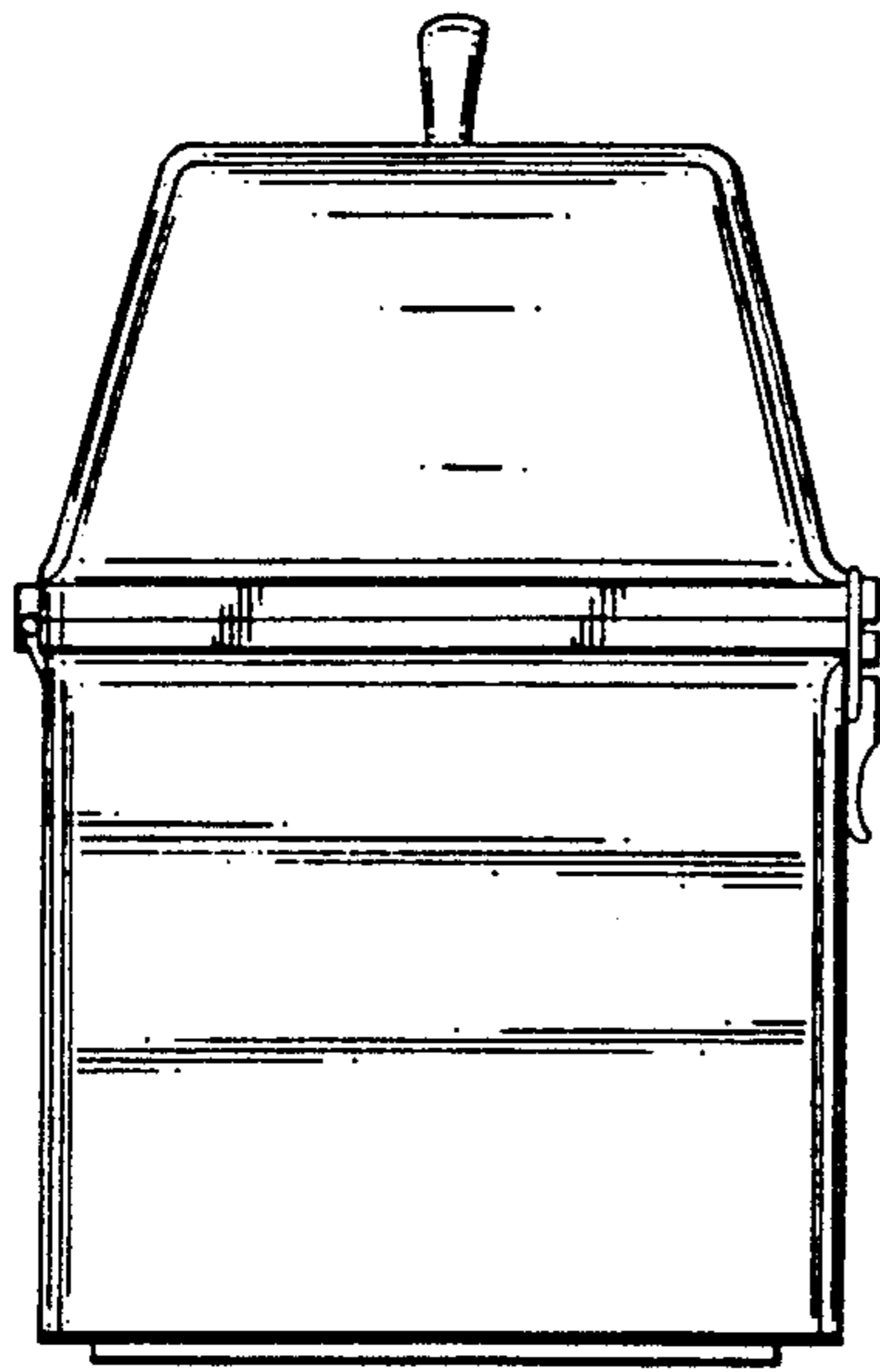


FIG- 4

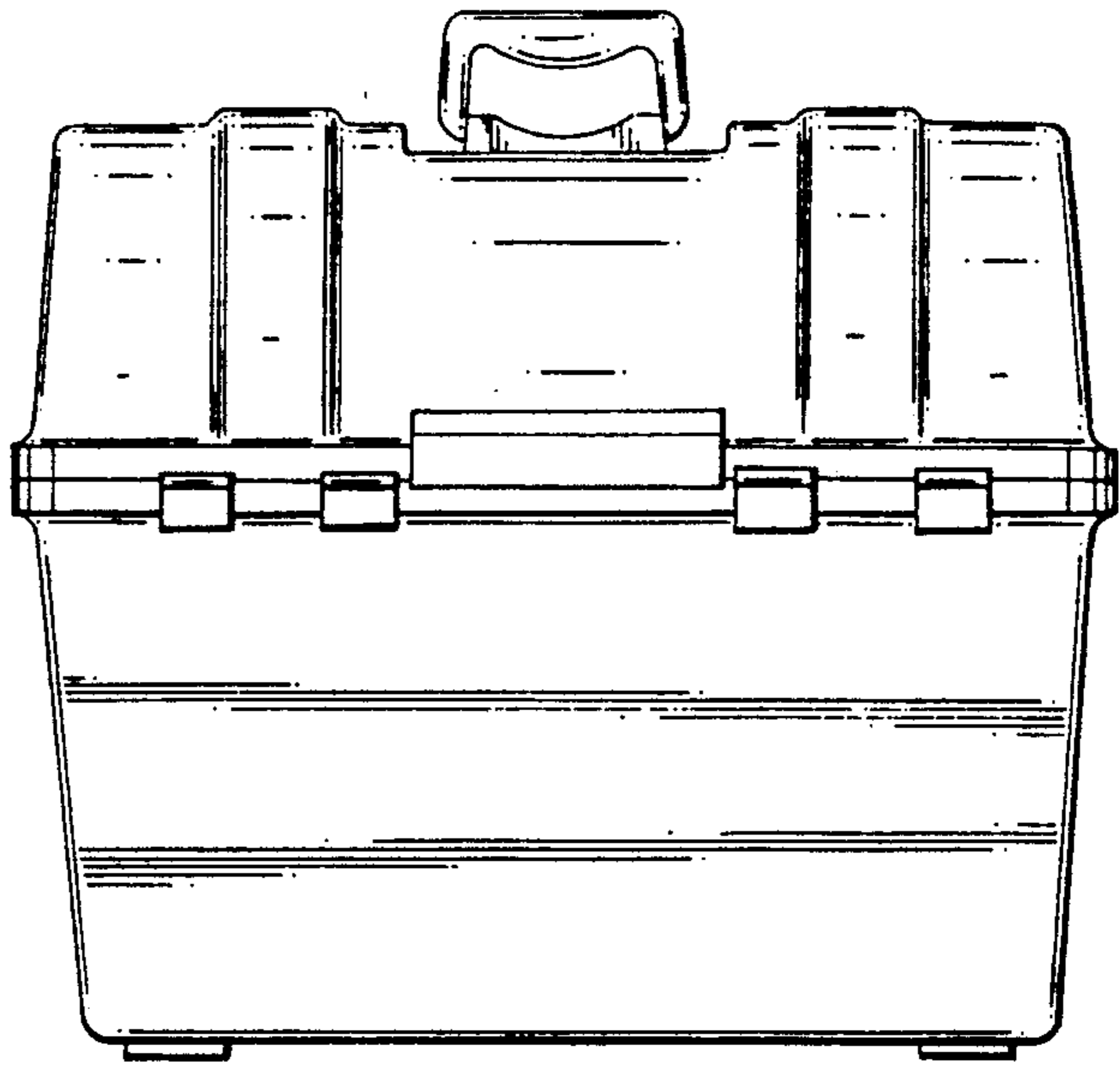


FIG- 7

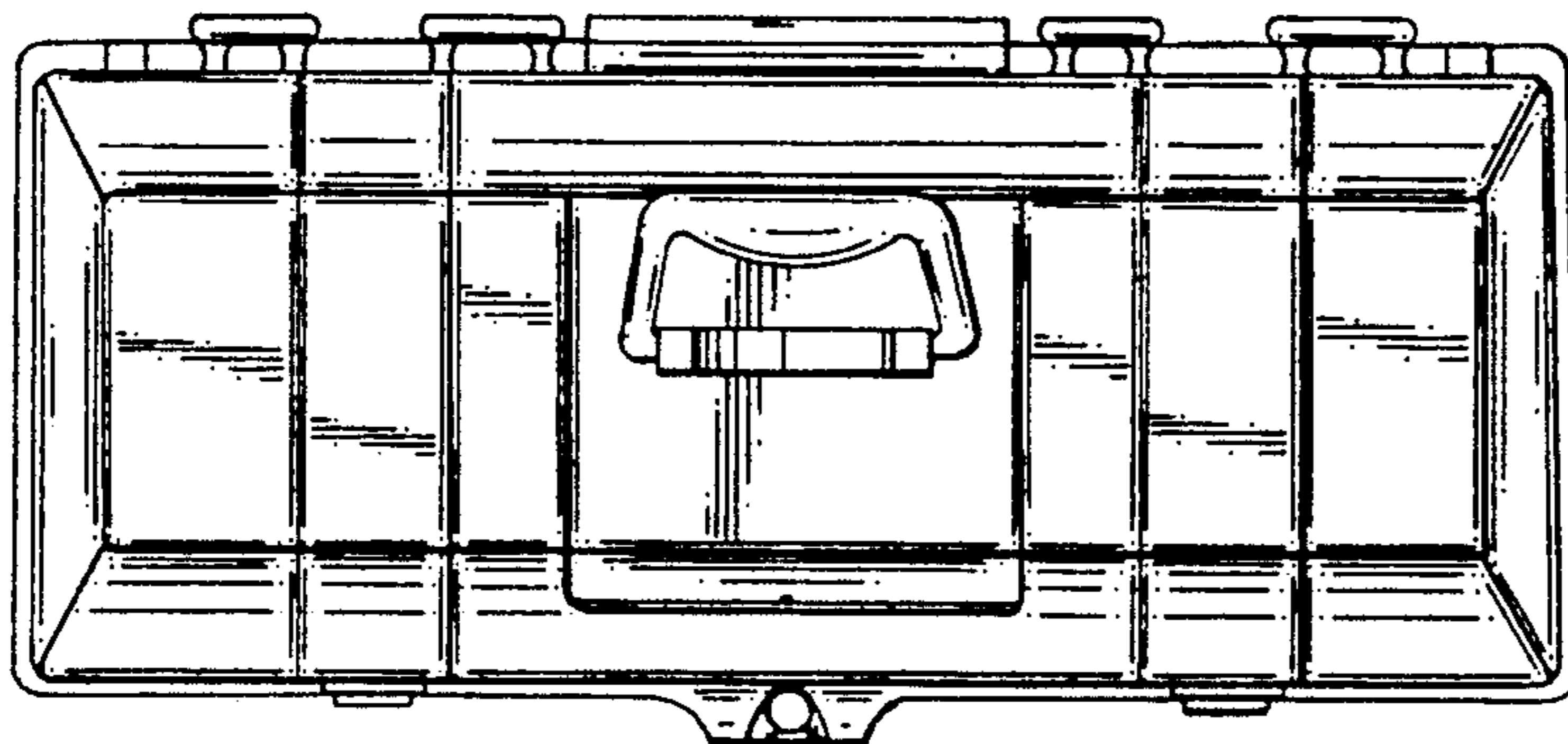


FIG- 5

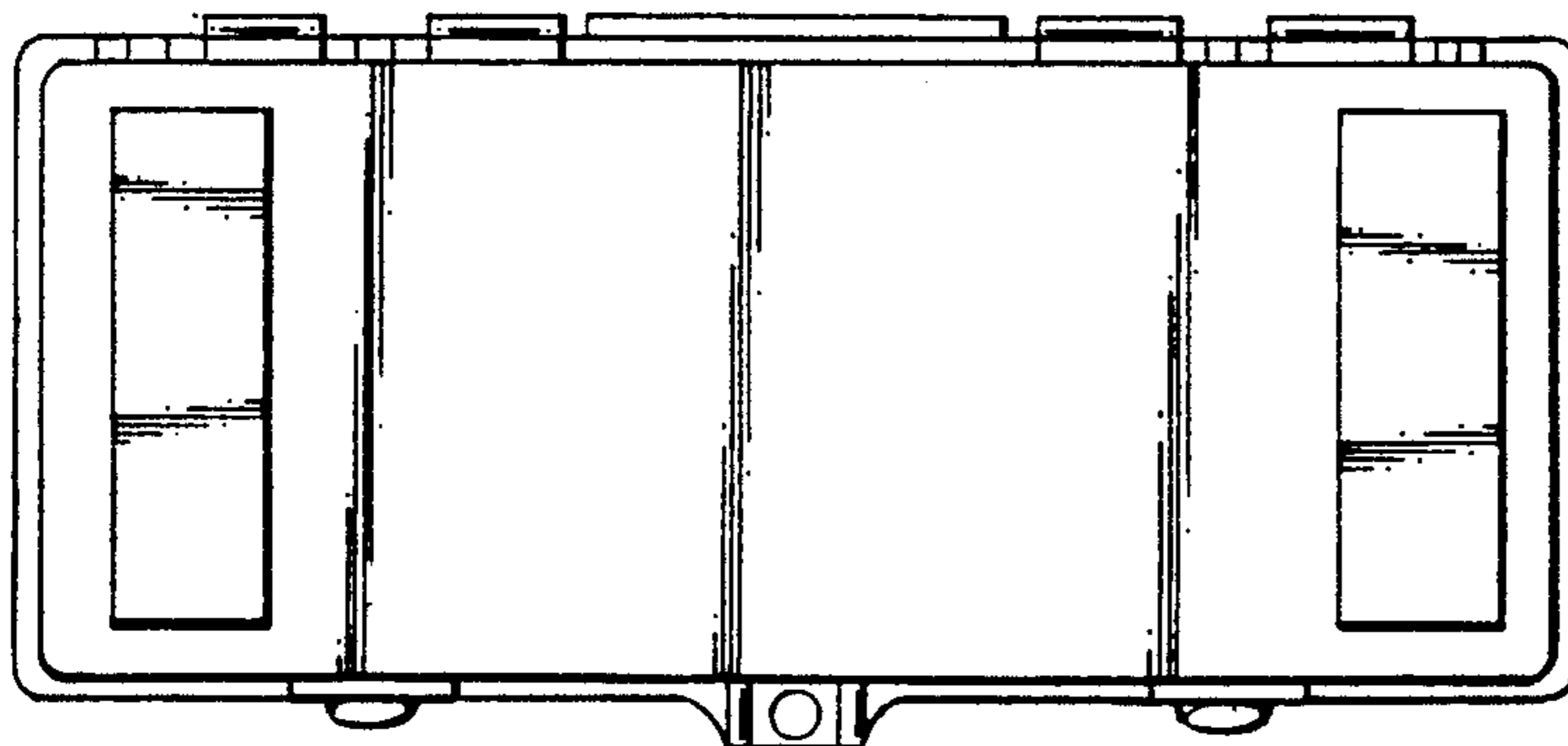


FIG- 6