

United States Patent [19]
Kojo

[11] **Patent Number: Des. 321,429**
[45] **Date of Patent: ** Nov. 12, 1991**

[54] **CARTRIDGE CASE**
[75] **Inventor: Shin Kojo, Kyoto, Japan**
[73] **Assignee: Nintendo Company Limited, Kyoto, Japan**
[**] **Term: 14 Years**
[21] **Appl. No.: 375,408**
[22] **Filed: Jul. 5, 1989**

[30] **Foreign Application Priority Data**
Jan. 6, 1989 [JP] Japan 1-201
[52] **U.S. Cl. D3/35; D3/30.1**
[58] **Field of Search D3/38, 30.1, 33, 35, D3/76, 100, 106, 99; 190/115, 102; 220/339; 206/425, 811, 372, 328, 387, 204; D19/75; 312/33; D9/432, 423**

[56] **References Cited**
U.S. PATENT DOCUMENTS
D. 224,177 7/1972 Wallace D3/76 X
D. 314,981 2/1971 Hassel D19/75

2,510,643 6/1950 Long 190/115 X
4,449,628 5/1984 Egly et al. 206/425 X
4,886,166 12/1989 Bankier et al. 190/102 X
4,890,074 1/1990 Allison 206/811 X

Primary Examiner—A. Hugo Word
Assistant Examiner—M. N. Pandozzi
Attorney, Agent, or Firm—Nixon & Vanderhye

[57] **CLAIM**

The ornamental design for a cartridge case, as shown and described.

DESCRIPTION

FIG. 1 is a front perspective view of a cartridge case showing my new design;
FIG. 2 is a rear perspective view thereof;
FIG. 3 is a top plan view thereof;
FIG. 4 is a bottom plan view thereof;
FIG. 5 is a front elevational view thereof;
FIG. 6 is a rear elevational view thereof;
FIG. 7 is left side elevational view, the right side elevational being a mirror image thereof; and
FIG. 8 is a front perspective view thereof in open position.

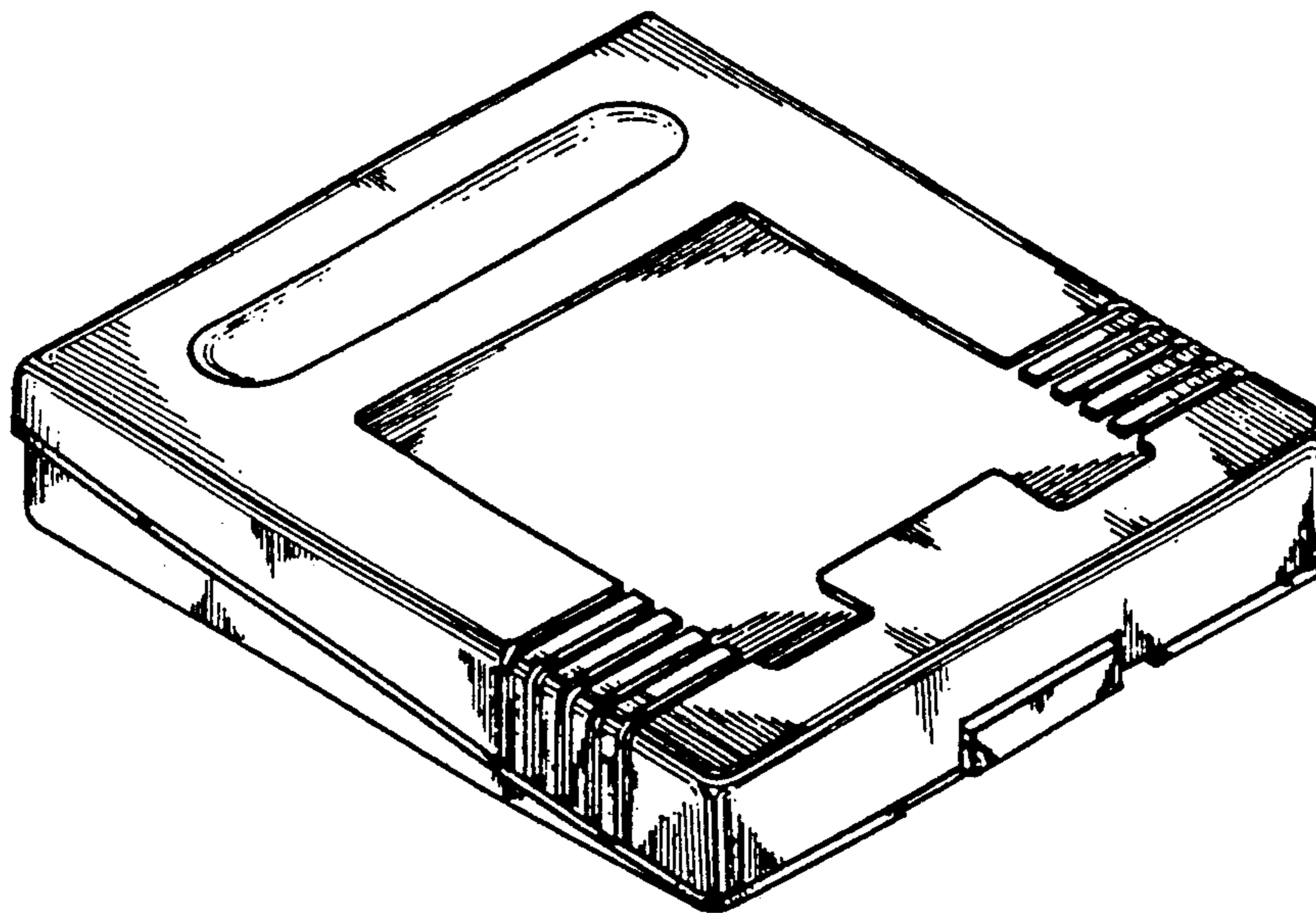


FIG. 1

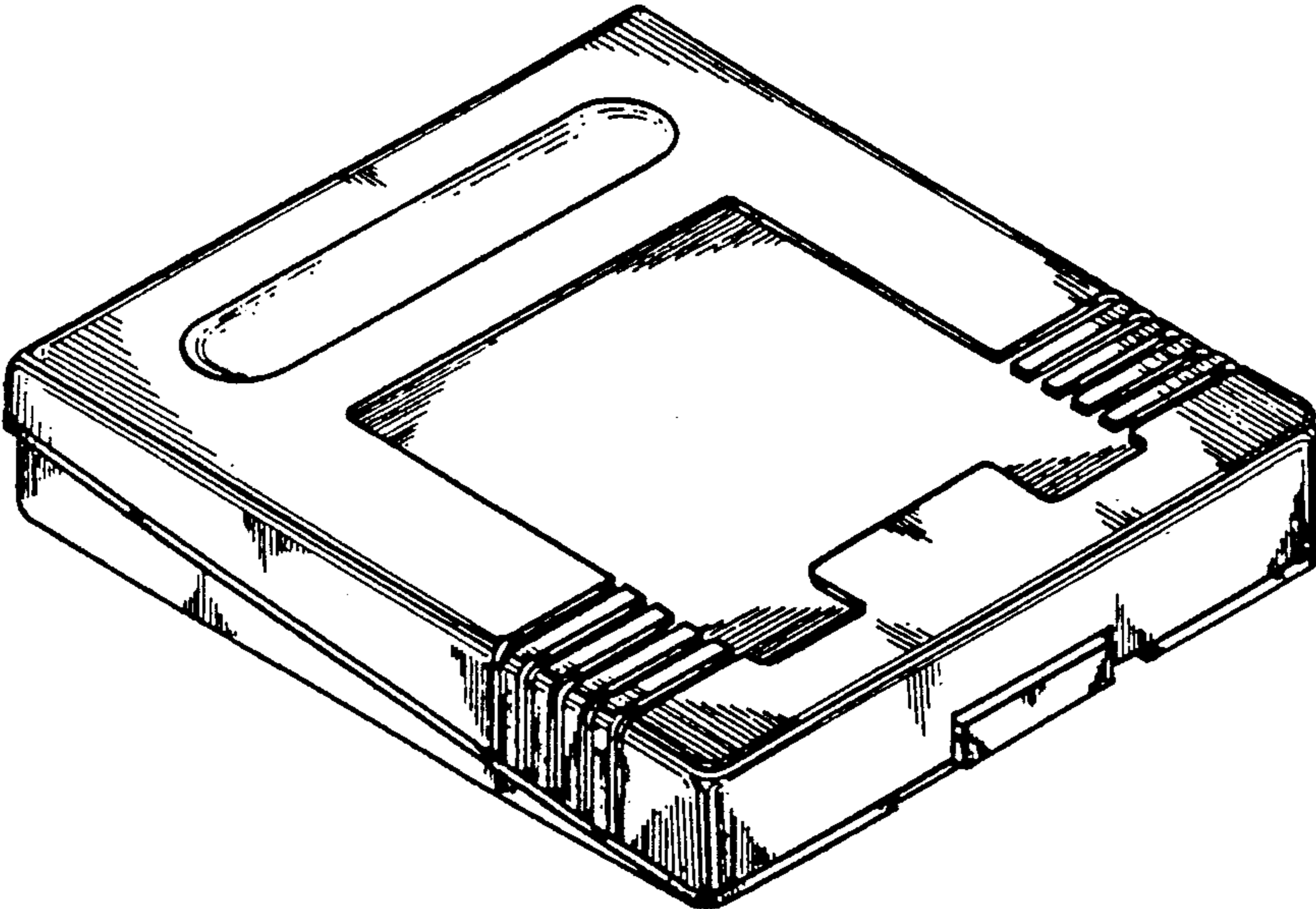


FIG. 2

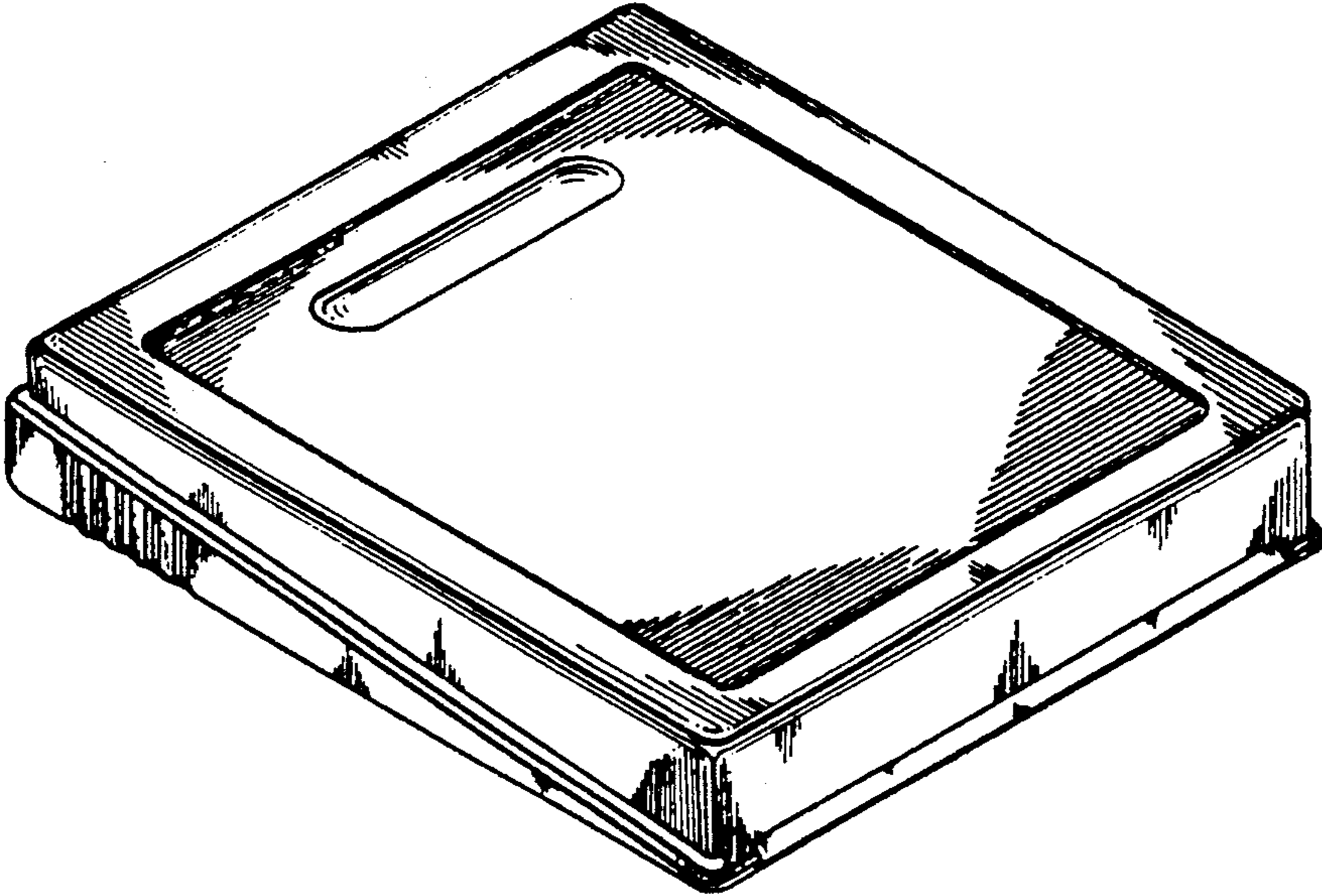


FIG. 3

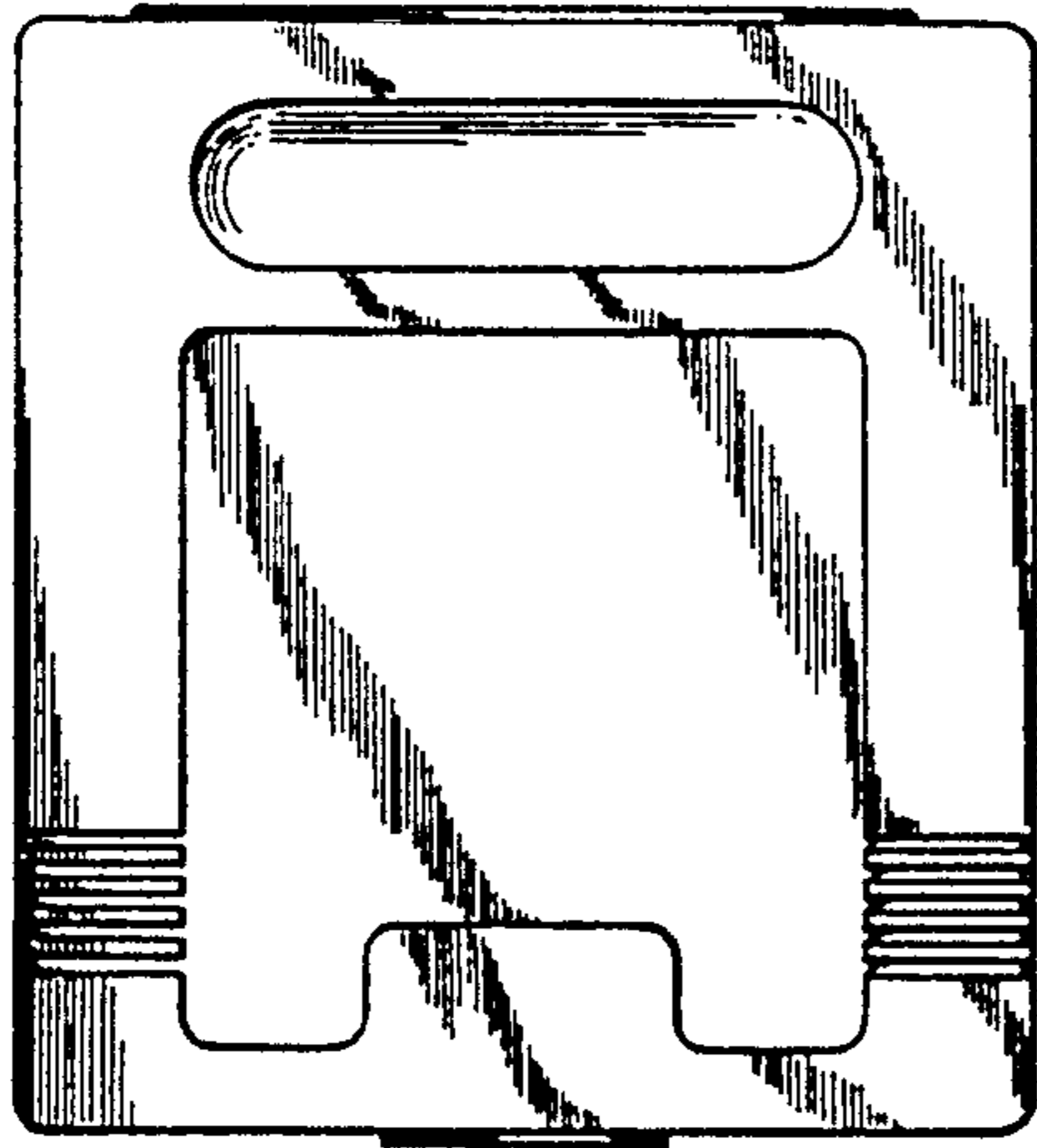


FIG. 4

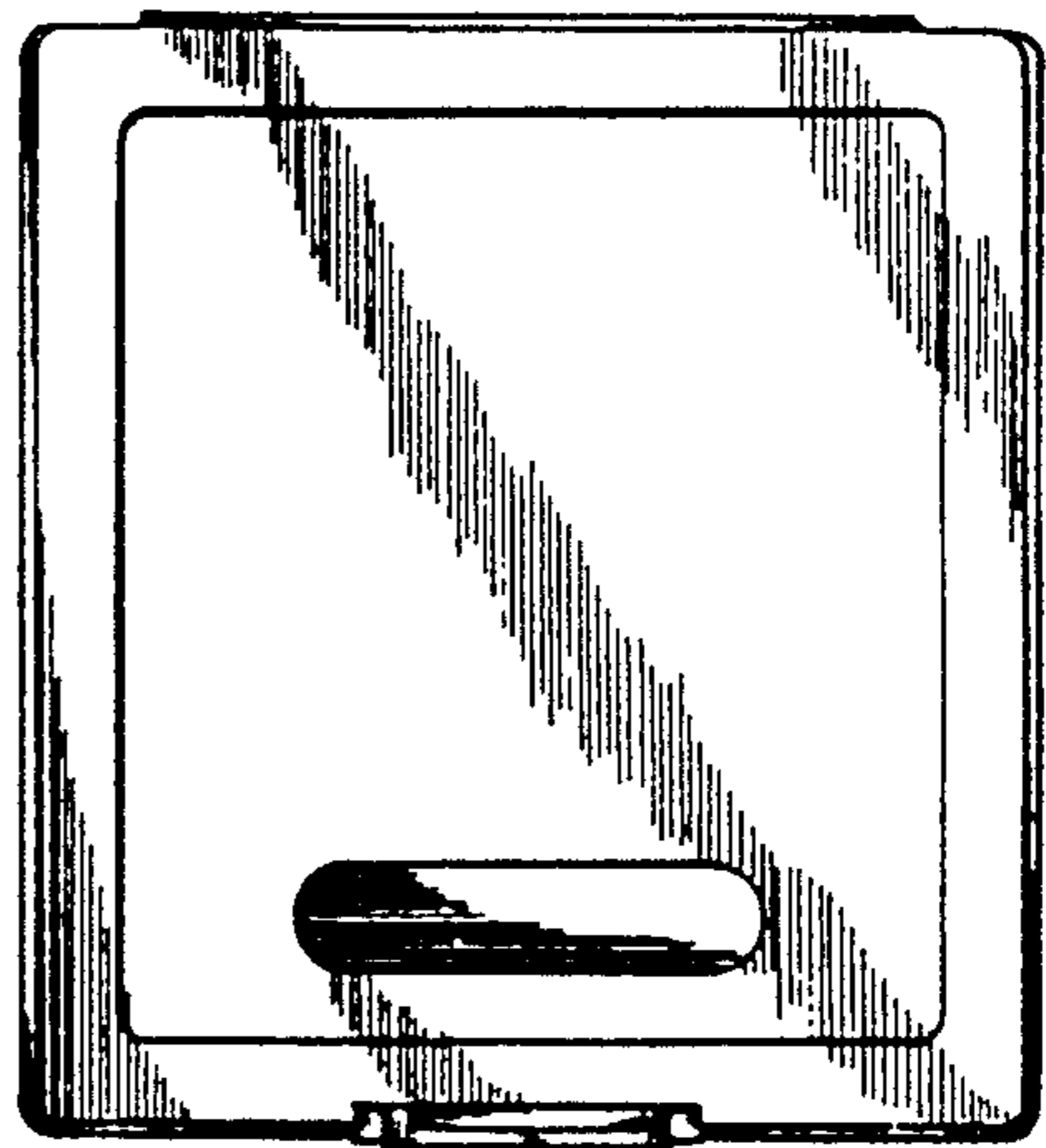


FIG. 5

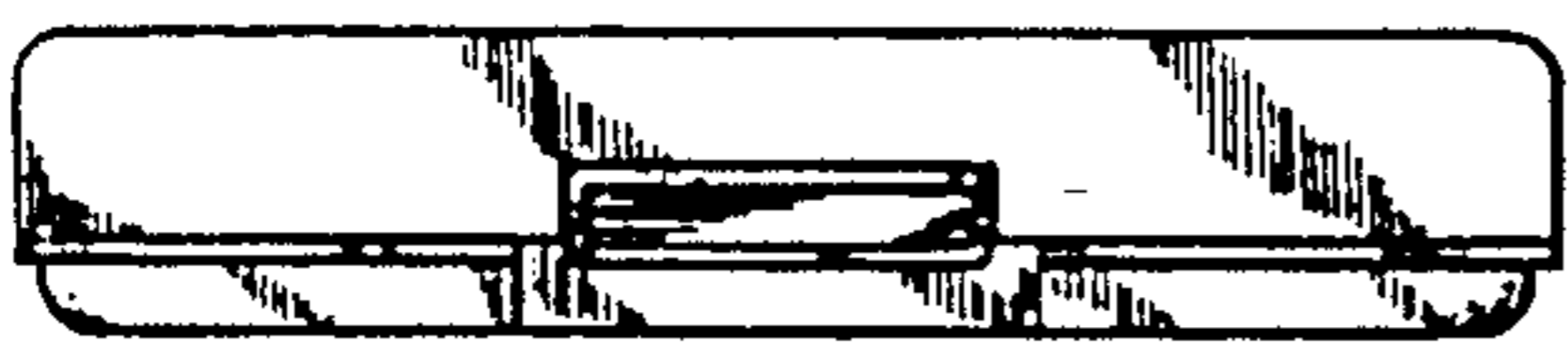
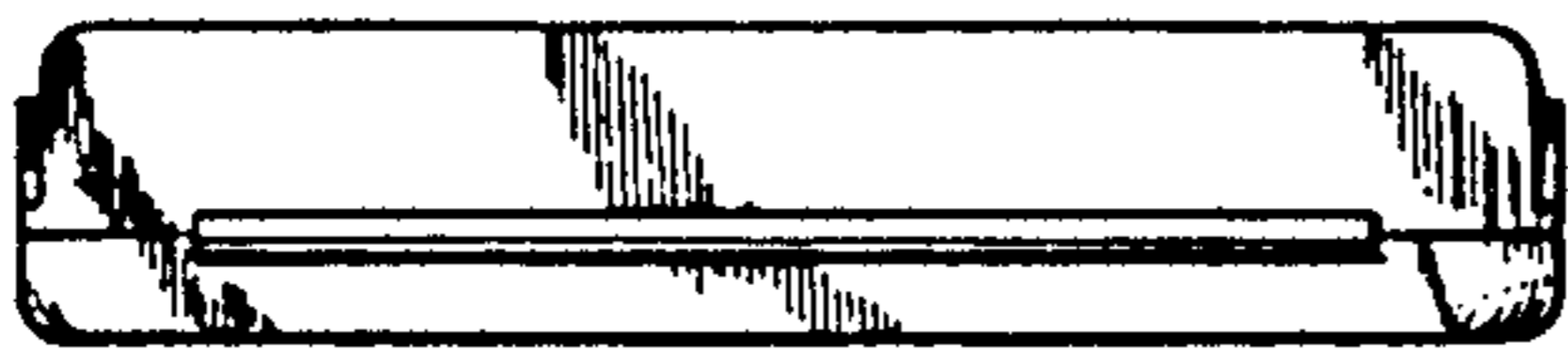


FIG. 7



FIG. 6



F I G. 8

