

[54] TOOL FOR DONNING AND REMOVAL OF HOSIERY

[76] Inventor: Ford Barrick, 521 Briggs Hill Rd., Bowling Green, Ky. 42101

[\*\*] Term: 14 Years

[21] Appl. No.: 340,163

[22] Filed: Apr. 18, 1989

[52] U.S. Cl. .... D2/641

[58] Field of Search ..... D2/641, 642; 223/111, 223/112, 113, 114, 115, 117, 118, 119

[56] References Cited

U.S. PATENT DOCUMENTS

D. 290,063	6/1987	Wright	.....	D2/642
D. 310,908	10/1990	Santore	.....	D2/642
881,163	3/1908	Spiess	.....	223/111
954,061	4/1910	von Taxis	.....	223/113
1,861,385	5/1932	Gentil	.	
3,310,209	3/1967	Clauss	.	
3,401,856	9/1968	Berlin	.	
3,452,907	7/1969	MacLauchlan	.	
3,853,252	12/1974	Scianimanico	.	
4,238,061	12/1980	Marchetti et al.	.	

4,620,737 11/1986 Sanger .  
4,637,533 1/1987 Black .  
4,651,909 3/1987 Banting .

FOREIGN PATENT DOCUMENTS

3423150 1/1986 Fed. Rep. of Germany .  
2340708 9/1977 France .

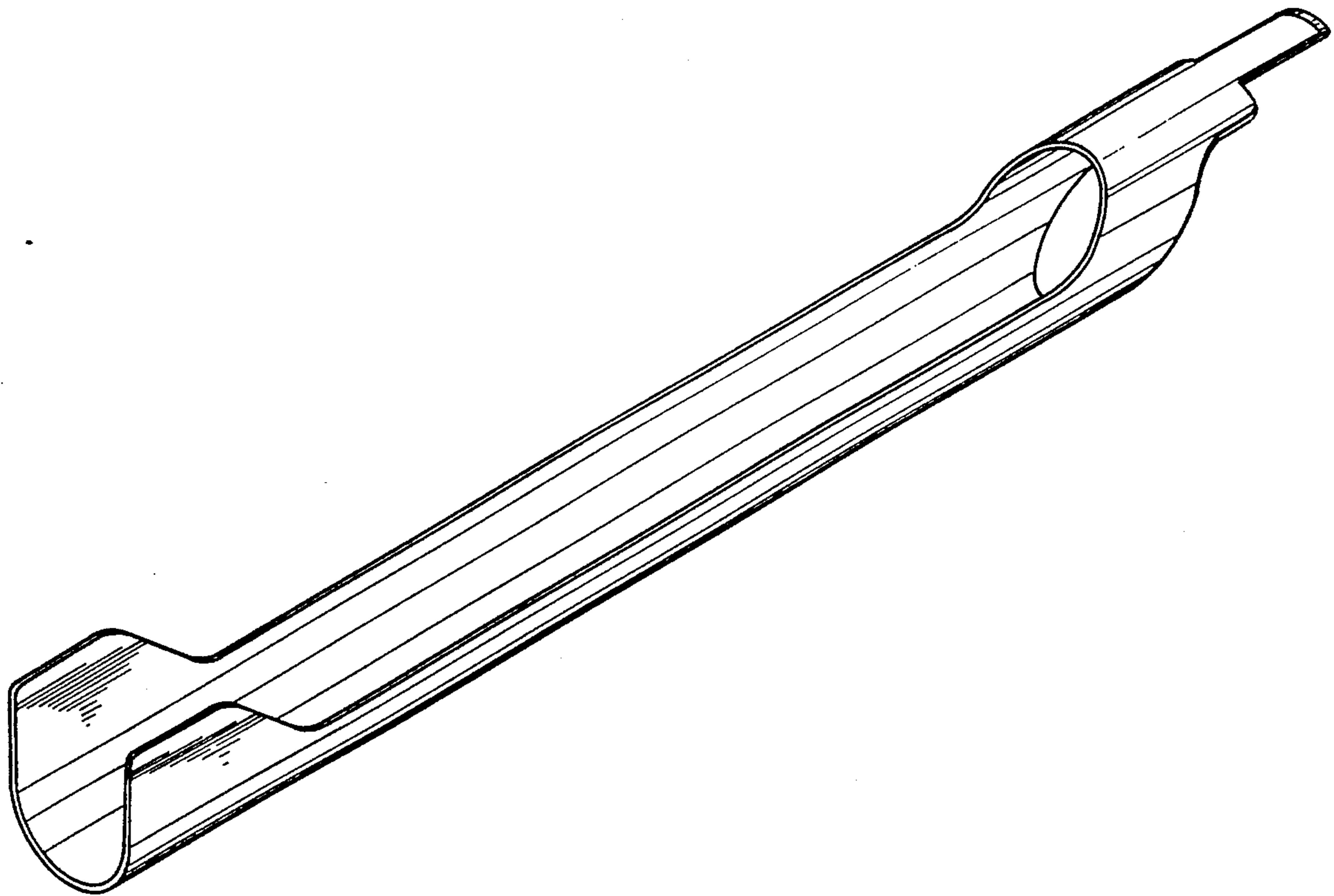
Primary Examiner—A. Hugo Word  
Assistant Examiner—Paula Allen  
Attorney, Agent, or Firm—Woodard, Emhardt, Naughton, Moriarty & McNett

[57] CLAIM

The ornamental design for a tool for donning and removal of hosiery, as shown and described.

DESCRIPTION

FIG. 1 is a front perspective view of a tool for donning and removal of hosiery showing my new design; FIG. 2 is a bottom plan view thereof; FIG. 3 is a front elevational view thereof; FIG. 4 is a rear elevational view thereof; FIG. 5 is a side elevational view, the opposite side is a mirror image thereof; and FIG. 6 is a top plan view thereof.



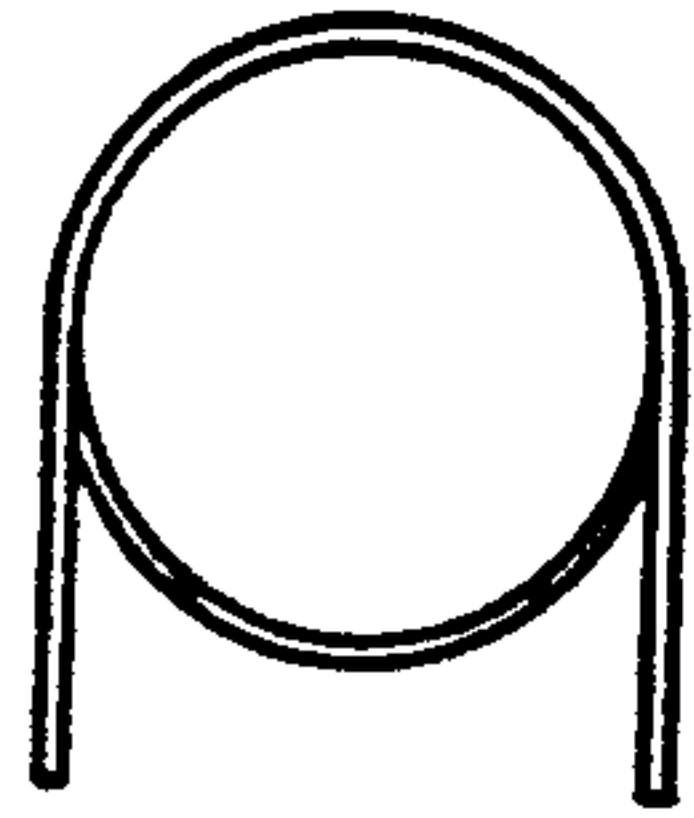


Fig. 3

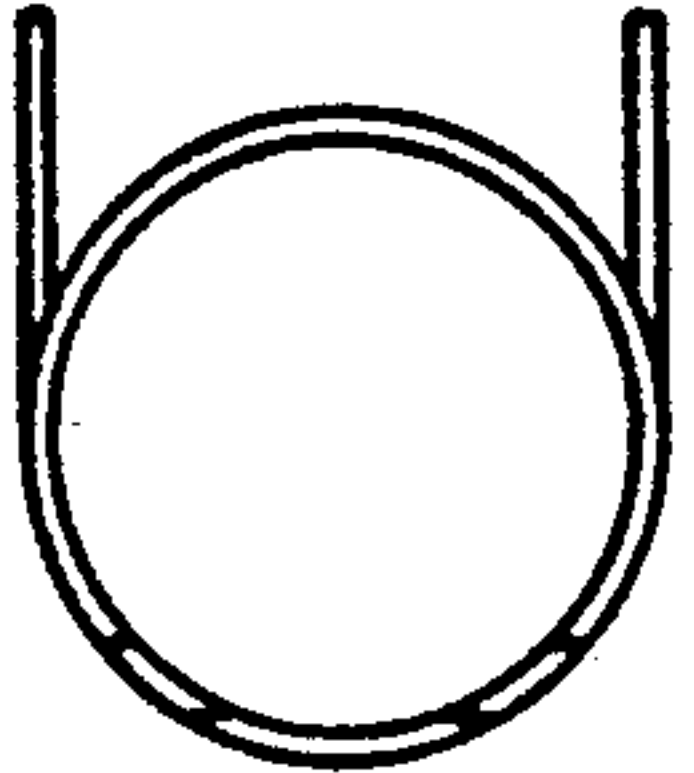


Fig. 4

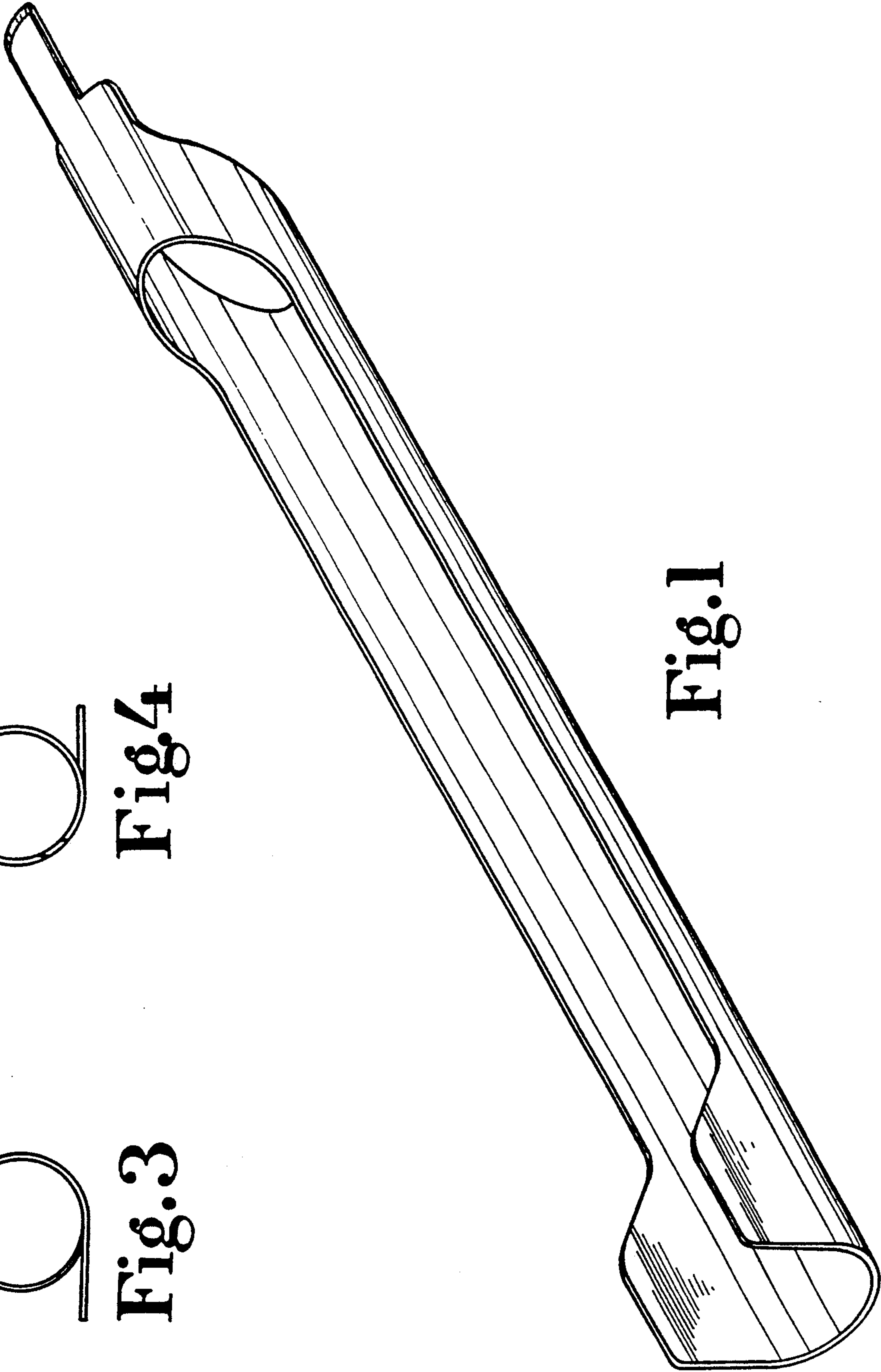


Fig. 1

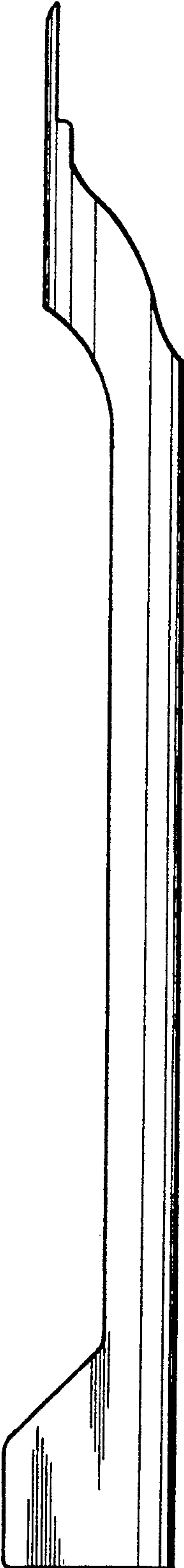


Fig.5

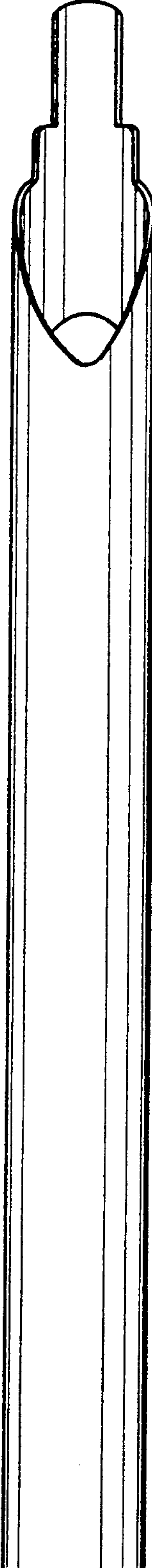


Fig.2

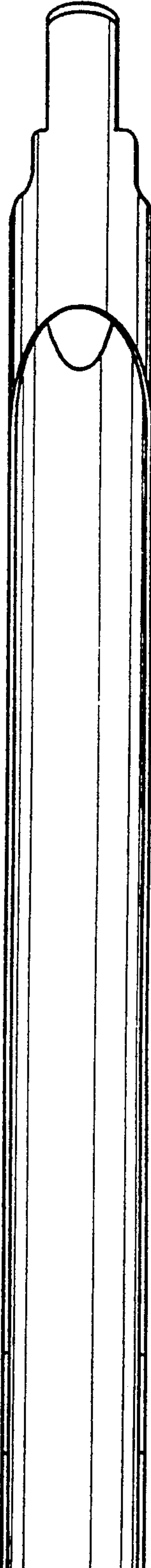


Fig.6