

[54] CART

[76] Inventor: Kathleen C. Isham, 2610 SE. Ada La., Milwaukie, Oreg. 97267

[**] Term: 14 Years

[21] Appl. No.: 332,940

[22] Filed: Mar. 31, 1989

[52] U.S. Cl. D34/21; D34/19

[58] Field of Search D34/12, 17, 19, 20, D34/21, 24, 25, 26; 280/79.11, 79.2, 79.3, 47.26, 47.27; D6/476, 475; 312/250, 211

[56] References Cited

U.S. PATENT DOCUMENTS

D. 284,917	8/1986	Canter	D6/476
1,837,664	12/1931	Longan	280/79.2
2,415,334	2/1947	Brown	280/47.26
2,479,530	8/1949	Watson	280/79.3
3,492,016	1/1970	O'Connor et al.	280/47.26

OTHER PUBLICATIONS

W. A. Charnstrom Co. Cat., ©1987, p. 11, "D", Close-Quarters Cart.

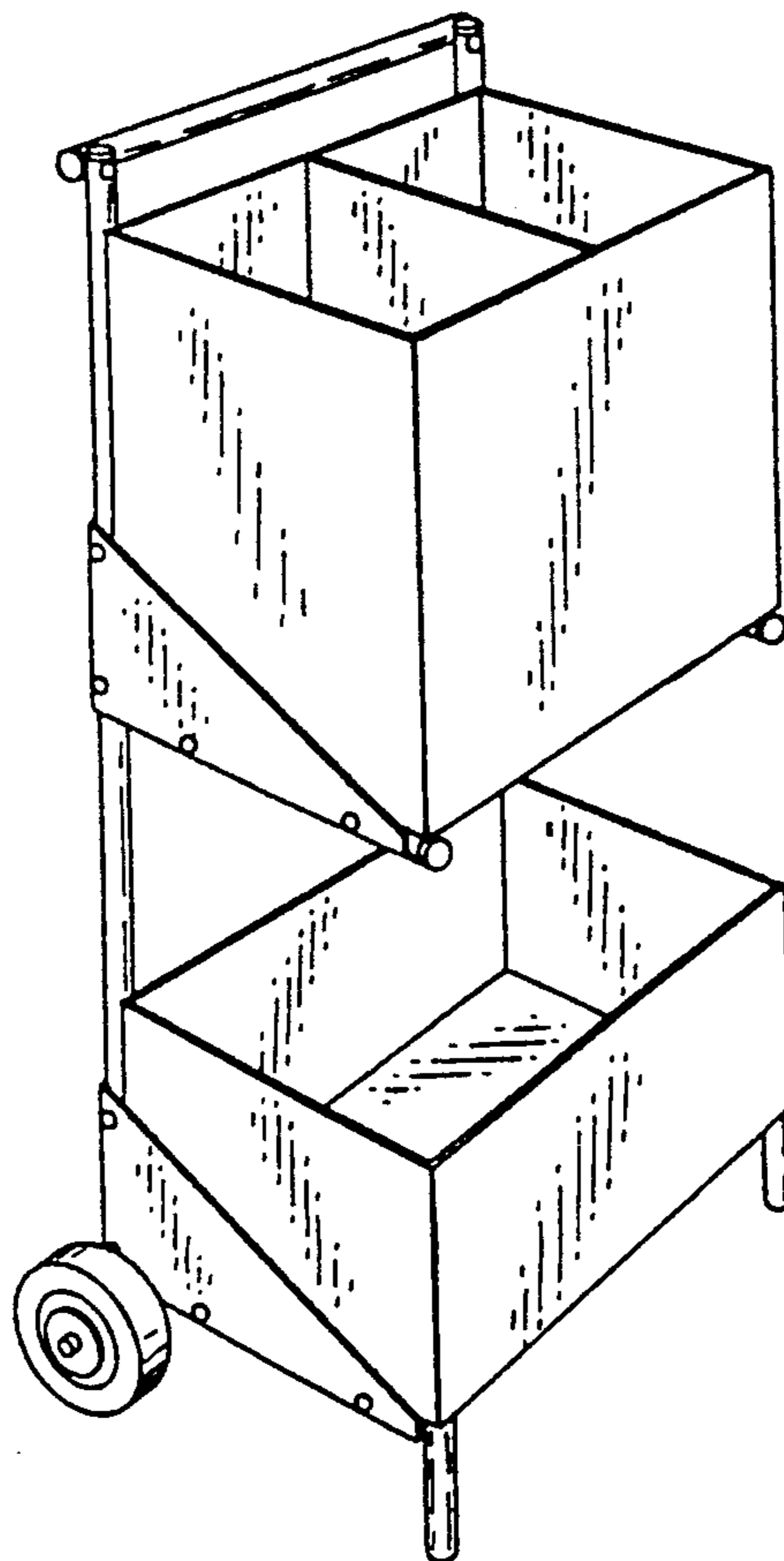
Primary Examiner—Kay H. Chin
Attorney, Agent, or Firm—Klarquist, Sparkman, Campbell, Leigh & Whinston

[57] CLAIM

The ornamental design for a cart, as shown and described.

DESCRIPTION

FIG. 1 is a top and front perspective view of a cart showing my new design;
FIG. 2 is a top plan view thereof;
FIG. 3 is a side elevational view thereof, the opposite side view being a mirror image of that shown;
FIG. 4 is a bottom plan view thereof;
FIG. 5 is a front elevational view thereof; and
FIG. 6 is a rear elevational view thereof.



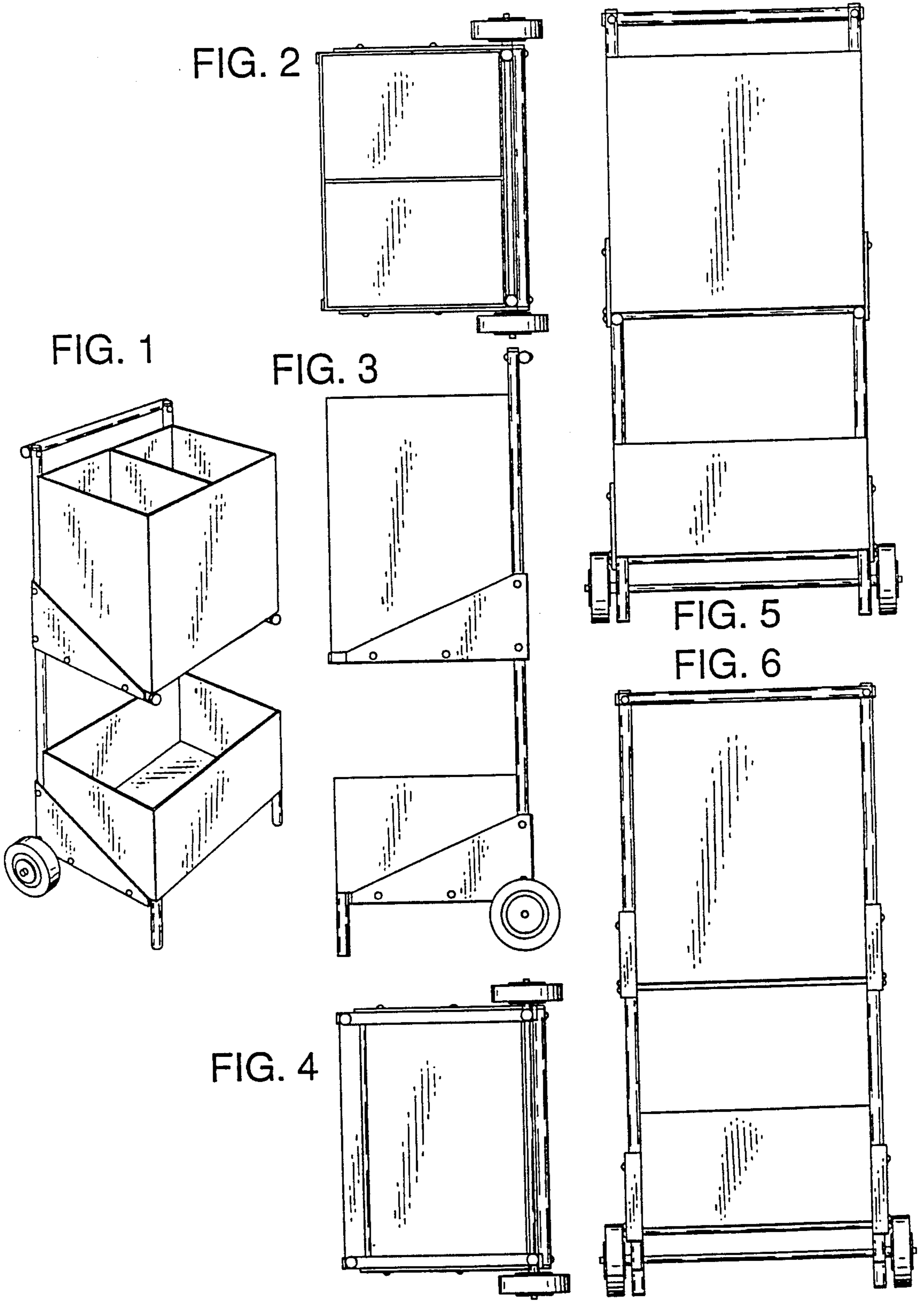


FIG. 2

FIG. 1

FIG. 3

FIG. 5

FIG. 6

FIG. 4