

[54] LAUNDRY DRYING RACK

3,023,991 3/1962 Fisher 211/87 X
3,521,757 7/1970 Liebscher .

[75] Inventor: Heinz J. Ohm, Limburg, Fed. Rep. of Germany

OTHER PUBLICATIONS

[73] Assignee: Leifheit AG, Nassau, Fed. Rep. of Germany

Leifheit Catalog 1984-1985, published Jul., 1984, pp. 24, 25, 26 and 27.

[**] Term: 14 Years

Primary Examiner—Wallace R. Burke
Assistant Examiner—Lavone D. Tabor
Attorney, Agent, or Firm—Frishauf, Holtz, Goodman & Woodward

[21] Appl. No.: 376,863

[22] Filed: Jul. 7, 1989

[30] Foreign Application Priority Data

Jan. 20, 1989 [DE] Fed. Rep. of Germany ... 8900375[U]

[52] U.S. Cl. D32/58; D6/546

[58] Field of Search D6/320, 327, 410-411, D6/546; D32/35, 58-60; 211/86-87, 89, 99-100, 105.1, 123

[57] CLAIM

The ornamental design for laundry drying rack, as shown.

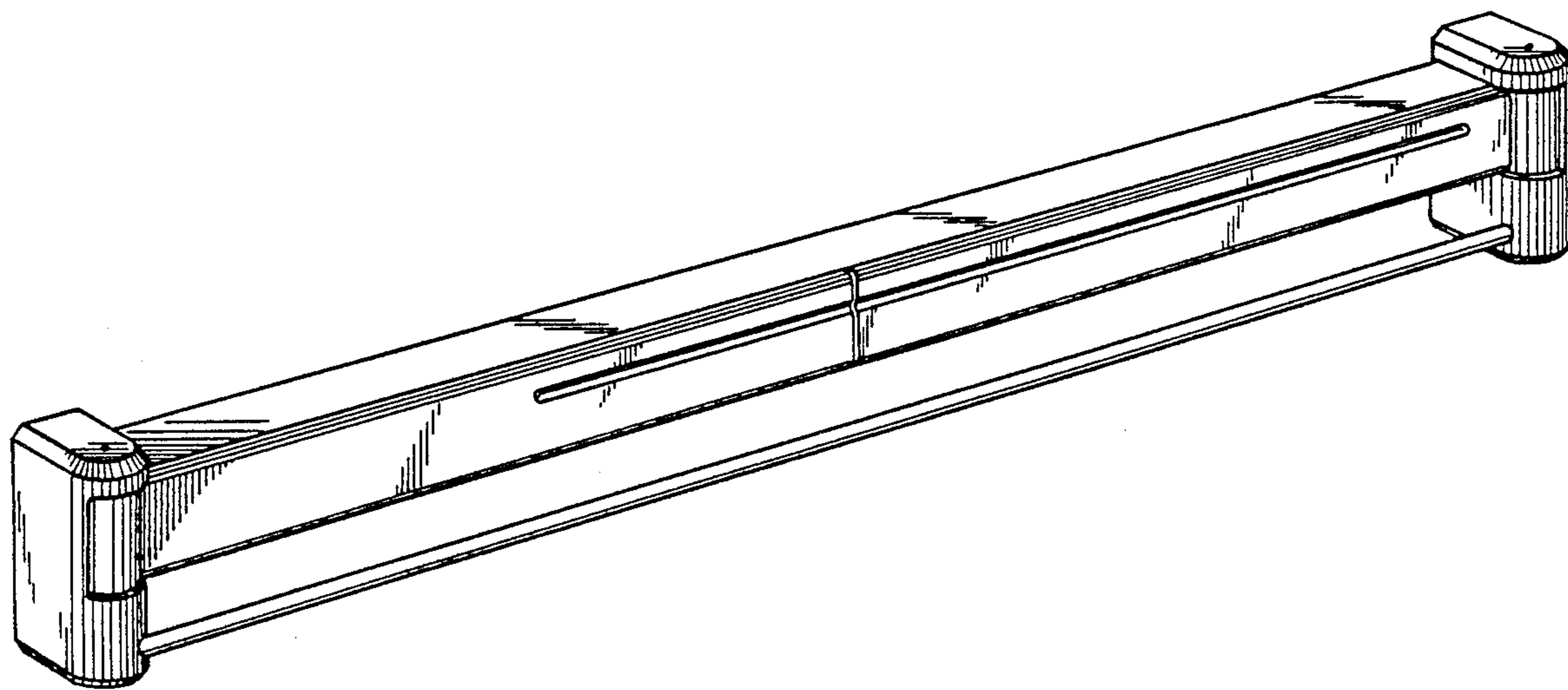
DESCRIPTION

FIG. 1 is a front, top, and left side perspective view of a laundry drying rack, showing my new design; FIG. 2 is a front elevational view thereof; FIG. 3 is a top plan view thereof; FIG. 4 is a rear elevational view thereof; FIG. 5 is a bottom plan view thereof; FIG. 6 is a left side elevational view thereof; and FIG. 7 is a right side elevational view thereof.

[56] References Cited

U.S. PATENT DOCUMENTS

D. 200,728 3/1965 Spielman D32/58
D. 238,410 1/1976 Weick D32/58
2,525,259 10/1950 Fenzl 211/89



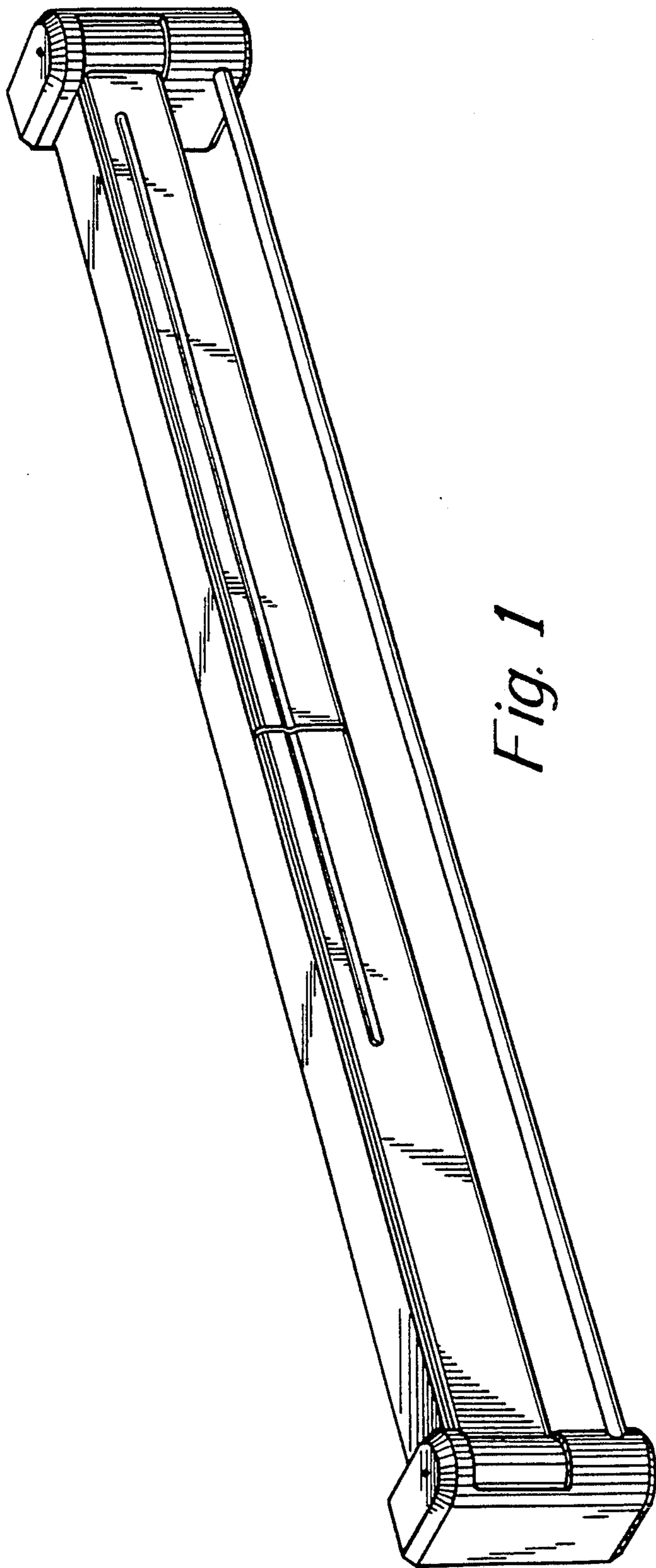


Fig. 1

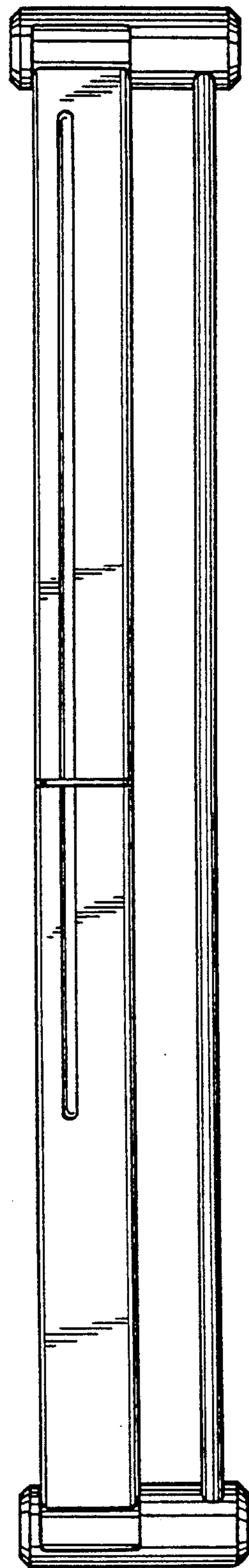


Fig. 2

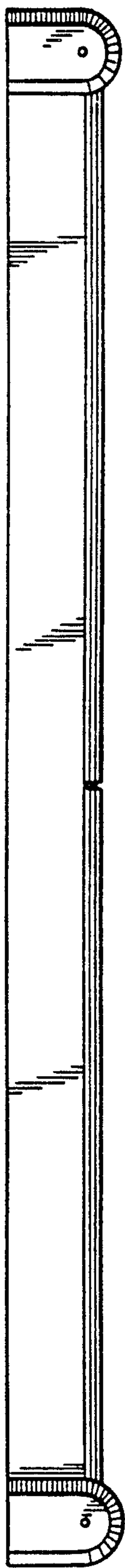


Fig. 3

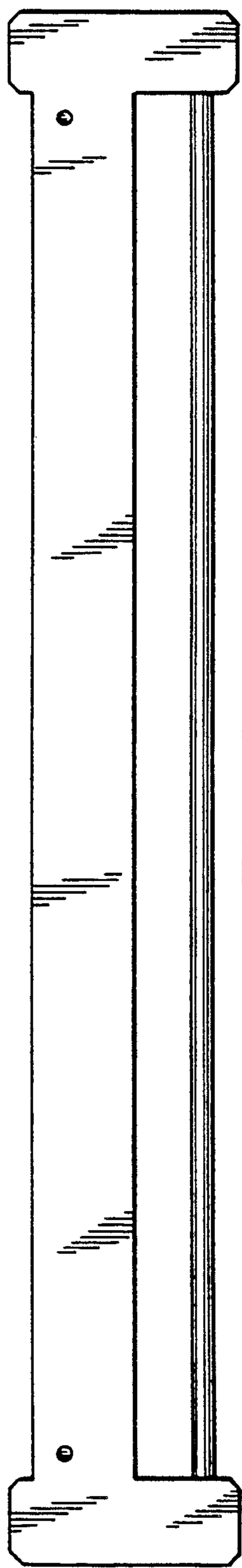


Fig. 4



Fig. 5

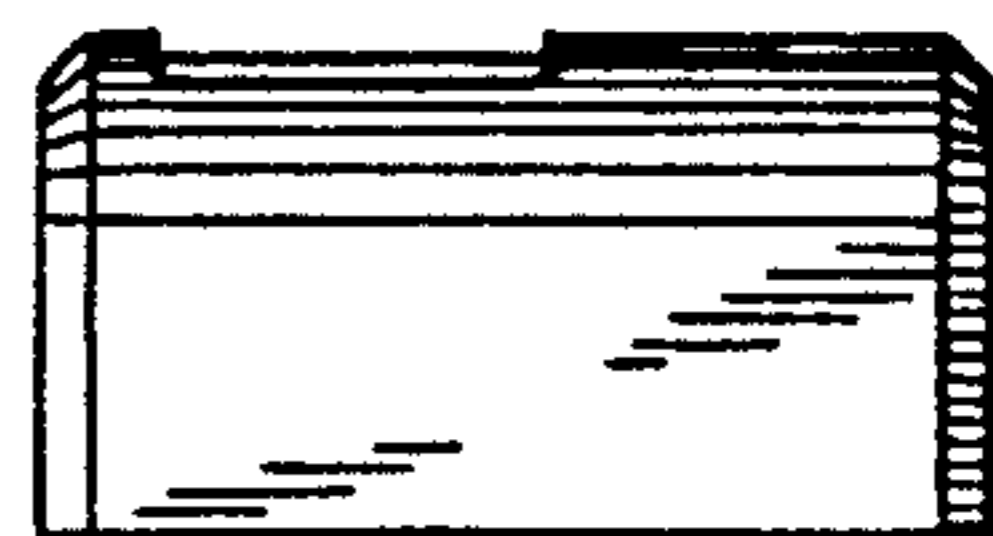


Fig. 6

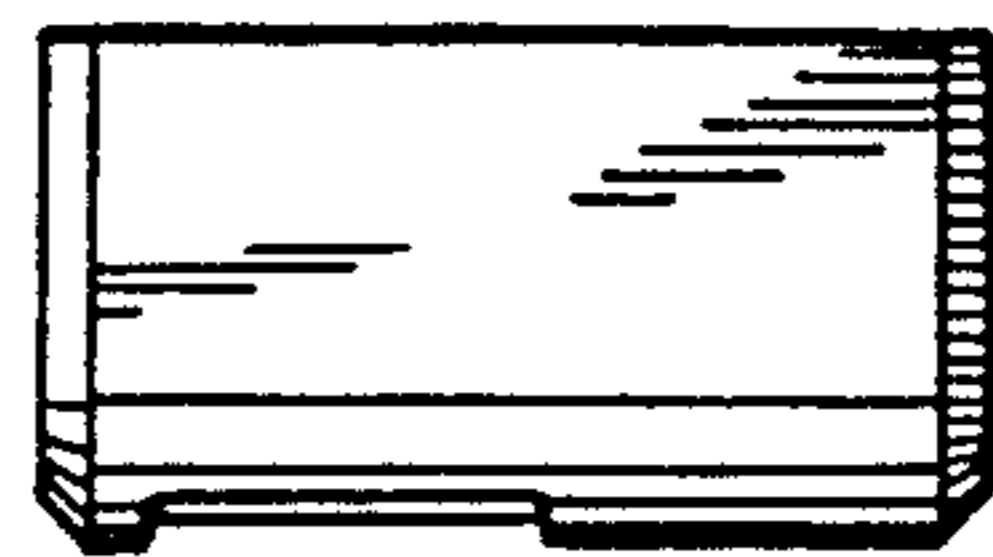


Fig. 7