

United States Patent [19]

Von Vett et al.

[11] Patent Number: **Des. 321,420**

[45] Date of Patent: **** Nov. 5, 1991**

[54] **FLOOR POLISHING MACHINE**

[75] Inventors: **Peter W. Von Vett**, Englewood;
Eugene L. Bothun, Loveland, both of
Colo.

[73] Assignee: **Windsor Industries, Inc.**, Englewood,
Colo.

[**] Term: **14 Years**

[21] Appl. No.: **479,061**

[22] Filed: **Feb. 9, 1990**

[52] U.S. Cl. **D32/15**

[58] Field of Search **D32/15; 15/98, 49.1,**
15/50.1; 51/176-177, 380, 376-377

[56] **References Cited**

U.S. PATENT DOCUMENTS

D. 156,689	1/1950	Atkin	D32/19
D. 166,572	4/1952	Pond	D32/19
D. 231,246	4/1974	Sundberg	D32/19
D. 251,007	2/1979	Burgoon	D32/19
D. 296,252	6/1988	Genovese	D32/19
2,674,896	4/1954	Arones	15/49.1 X
3,027,581	4/1962	Holt	D32/19 X
3,155,996	11/1964	Berthelot et al.	15/49.1
3,921,244	11/1975	Warren et al.	15/98
4,365,377	12/1982	Todd et al.	15/98
4,435,870	3/1984	Tucker et al.	15/98
4,491,999	1/1985	Babcock	15/230
4,542,551	9/1985	Phillips	D32/19 X
4,570,278	2/1986	Bloome et al.	15/97
4,590,635	5/1986	Tucker et al.	15/50
4,658,459	4/1987	Wood	15/49
4,734,954	4/1988	Greskovics et al.	15/1.7

4,742,652	5/1988	Cannan et al.	51/177
4,756,042	7/1988	Genovese et al.	15/98
4,845,798	7/1989	Genovese	15/98

OTHER PUBLICATIONS

Brochure of National Super Service Company, (1988).
"Floormax" brochure of the Hoover Company.
"Gloss Boss" brochure of Pullman Holt.

Primary Examiner—A. Hugo Word
Assistant Examiner—Paula Allen
Attorney, Agent, or Firm—W. Scott Carson

[57] **CLAIM**

The ornamental design for a floor polishing machine, as shown and described.

DESCRIPTION

FIG. 1 is a perspective view of a floor polishing machine showing our new design.
FIG. 2 is a right side elevational view thereof.
FIG. 3 is a front elevational view thereof.
FIG. 4 is a top plan view thereof.
FIG. 5 is a rear elevational view thereof.
FIG. 6 is a bottom plan view thereof.
FIG. 7 is a left side elevational view thereof.
FIG. 8 is a front perspective view of a second embodiment of a floor polishing machine showing our new design.
FIG. 9 is a right side elevational view thereof.
FIG. 10 is a front elevational view thereof.
FIG. 11 is a top plan view thereof.
FIG. 12 is a rear elevational view thereof.
FIG. 13 is a bottom plan view thereof.
FIG. 14 is a left side elevational view thereof.

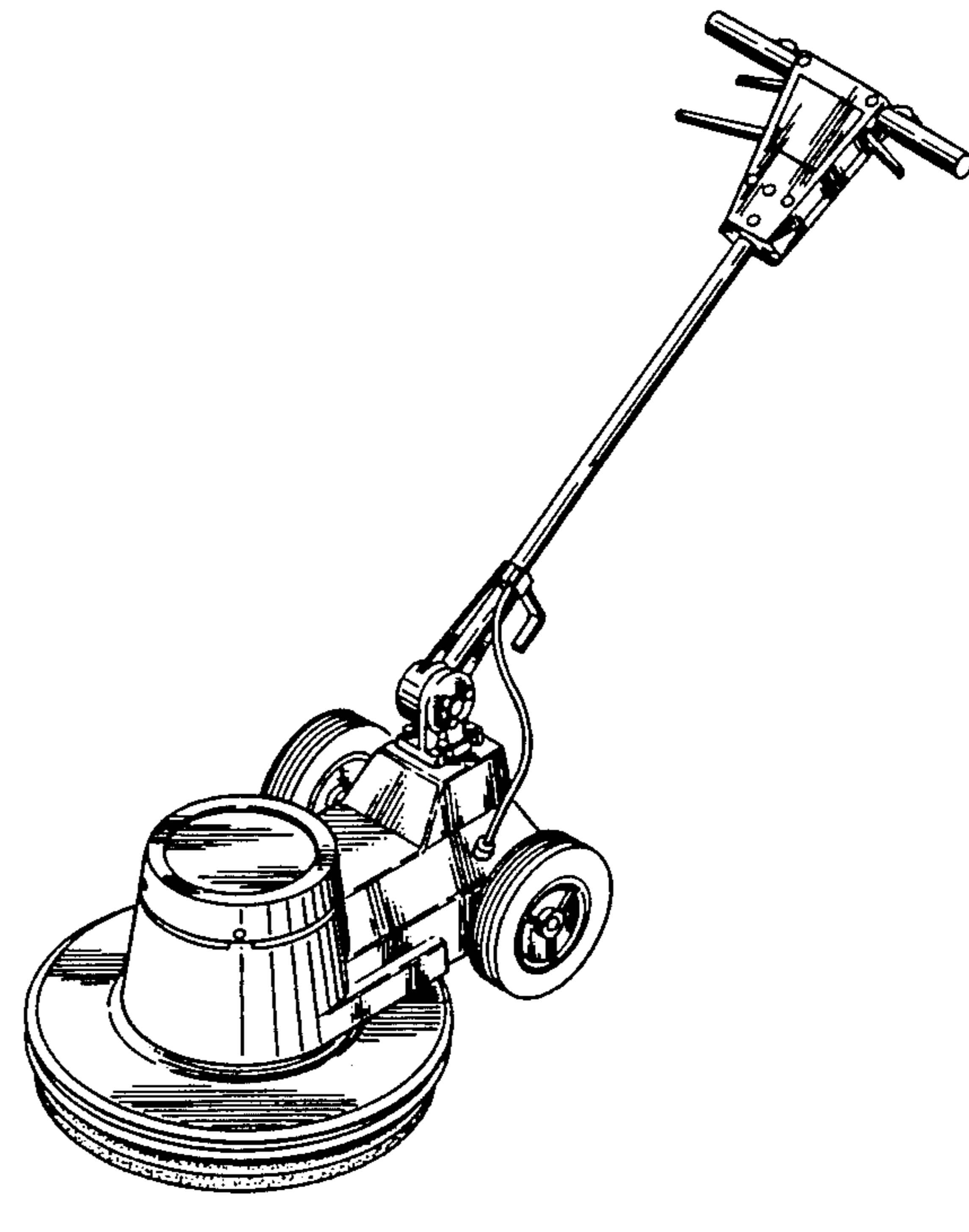
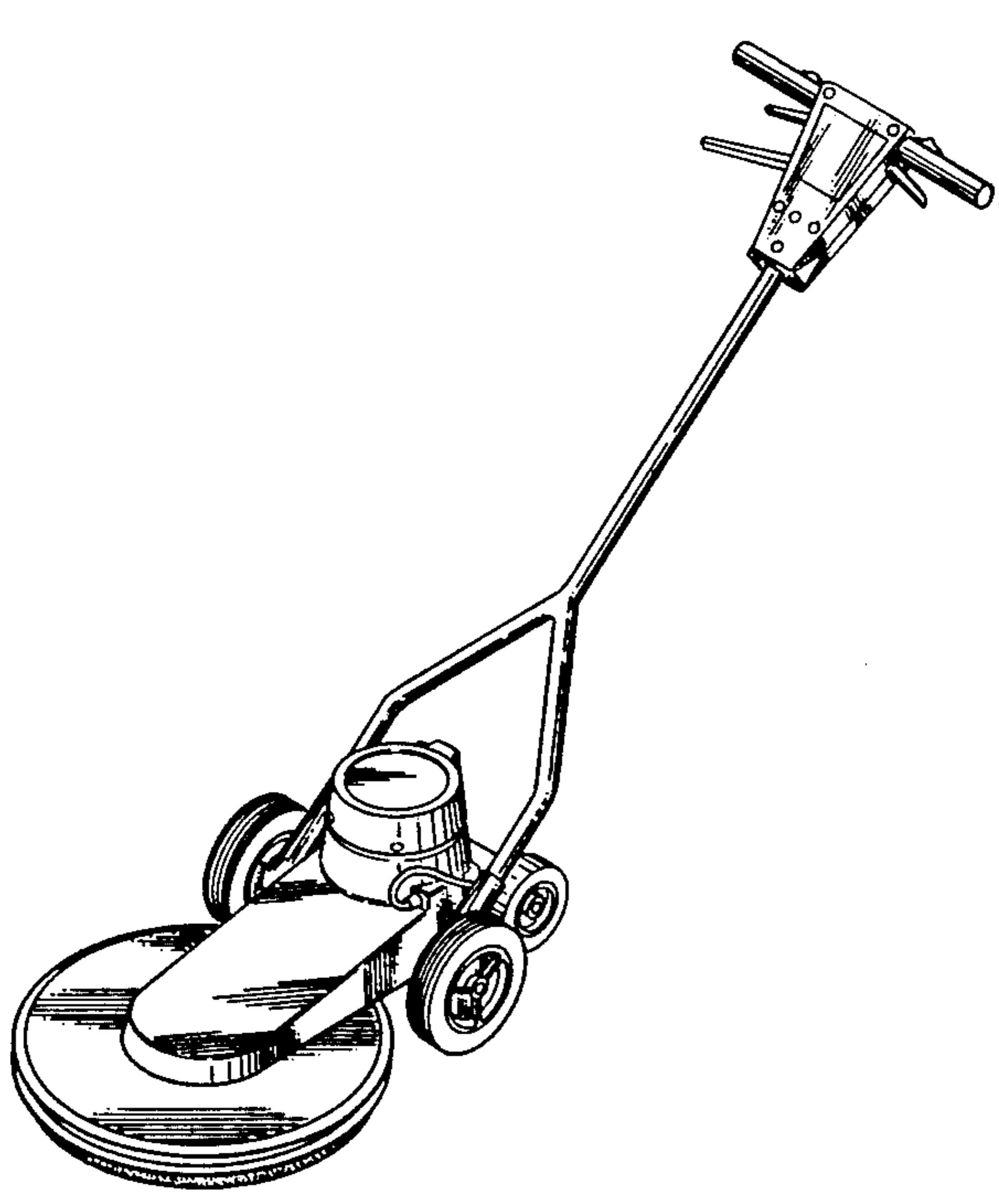
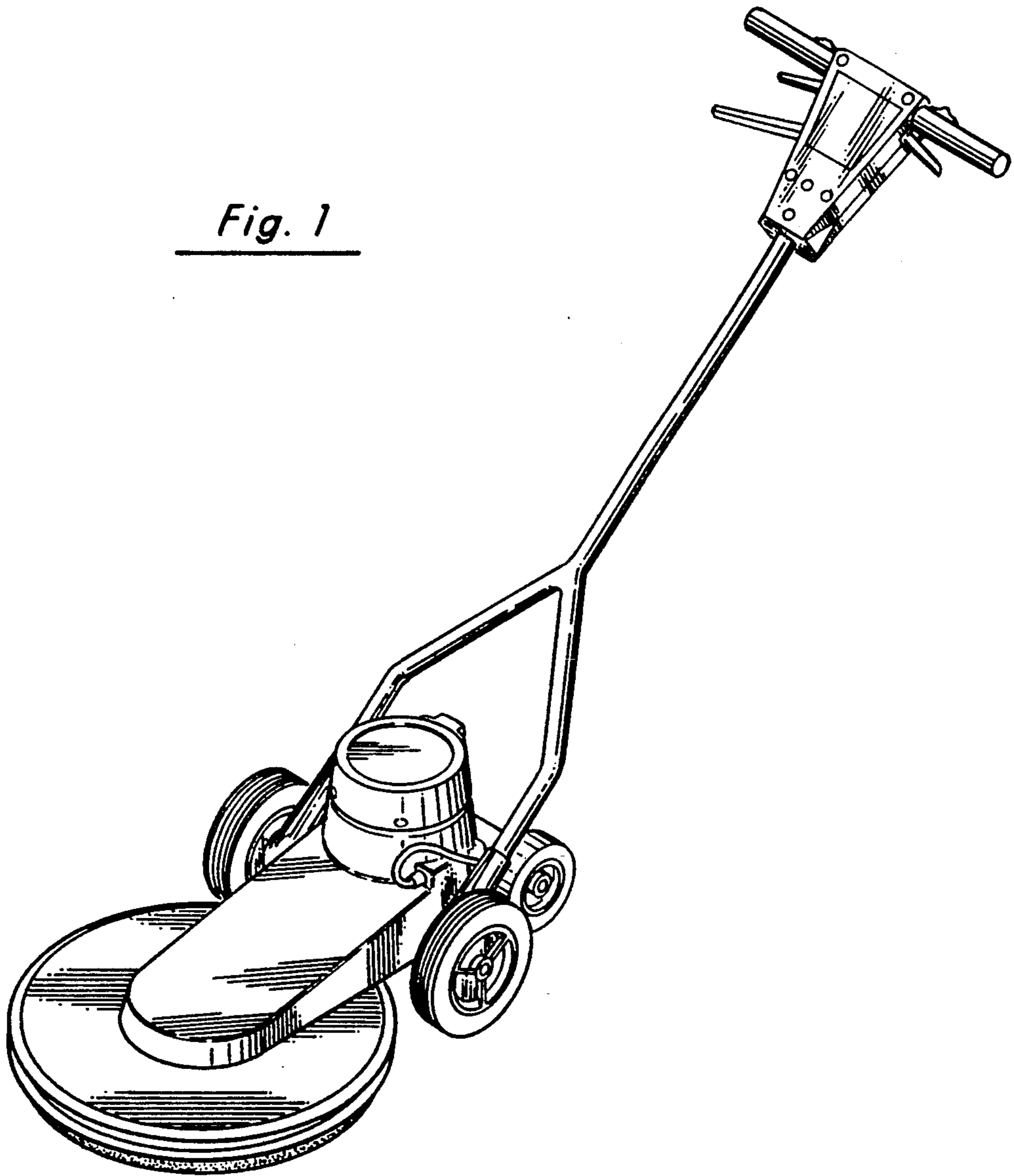


Fig. 1



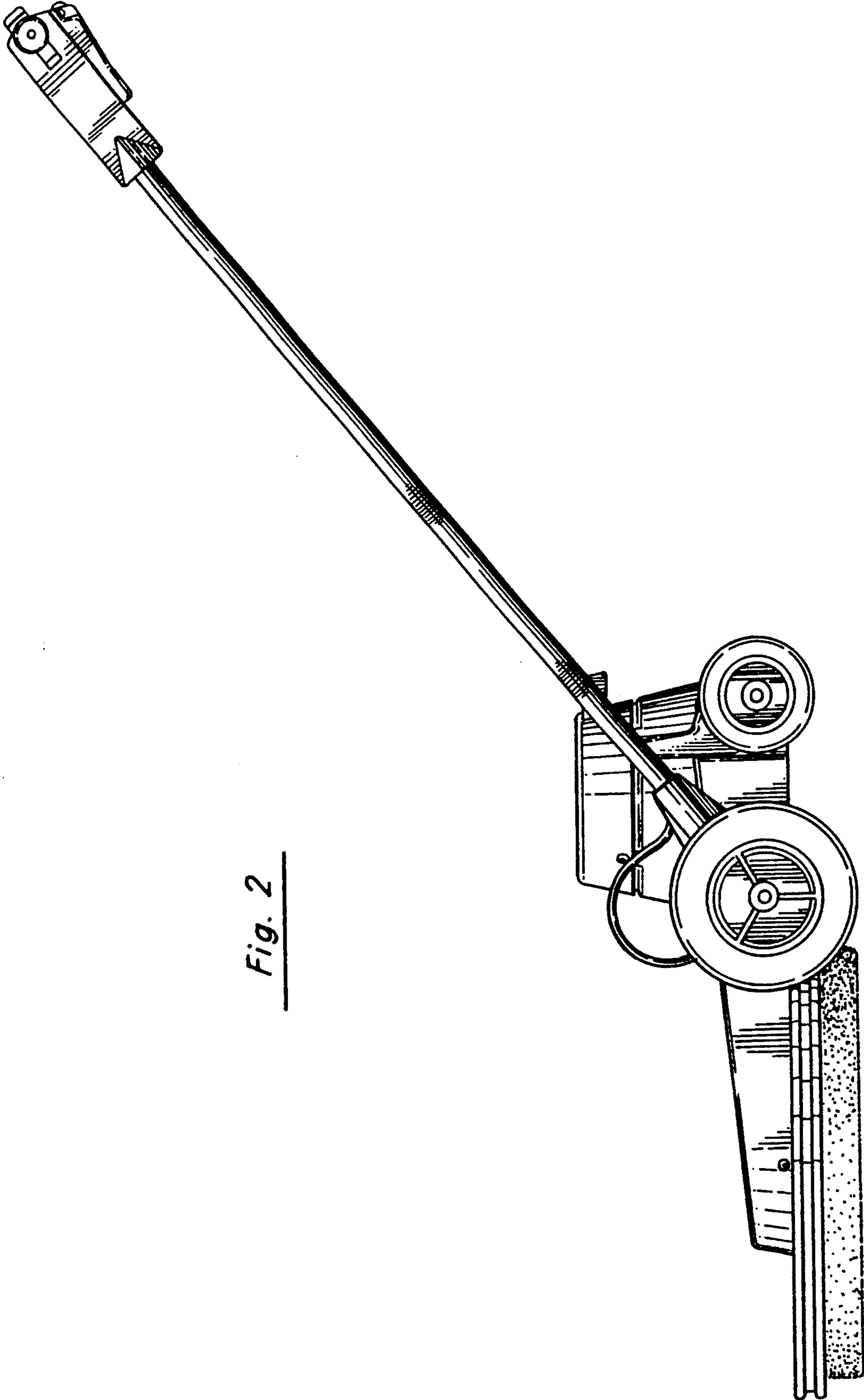


Fig. 2

Fig. 3

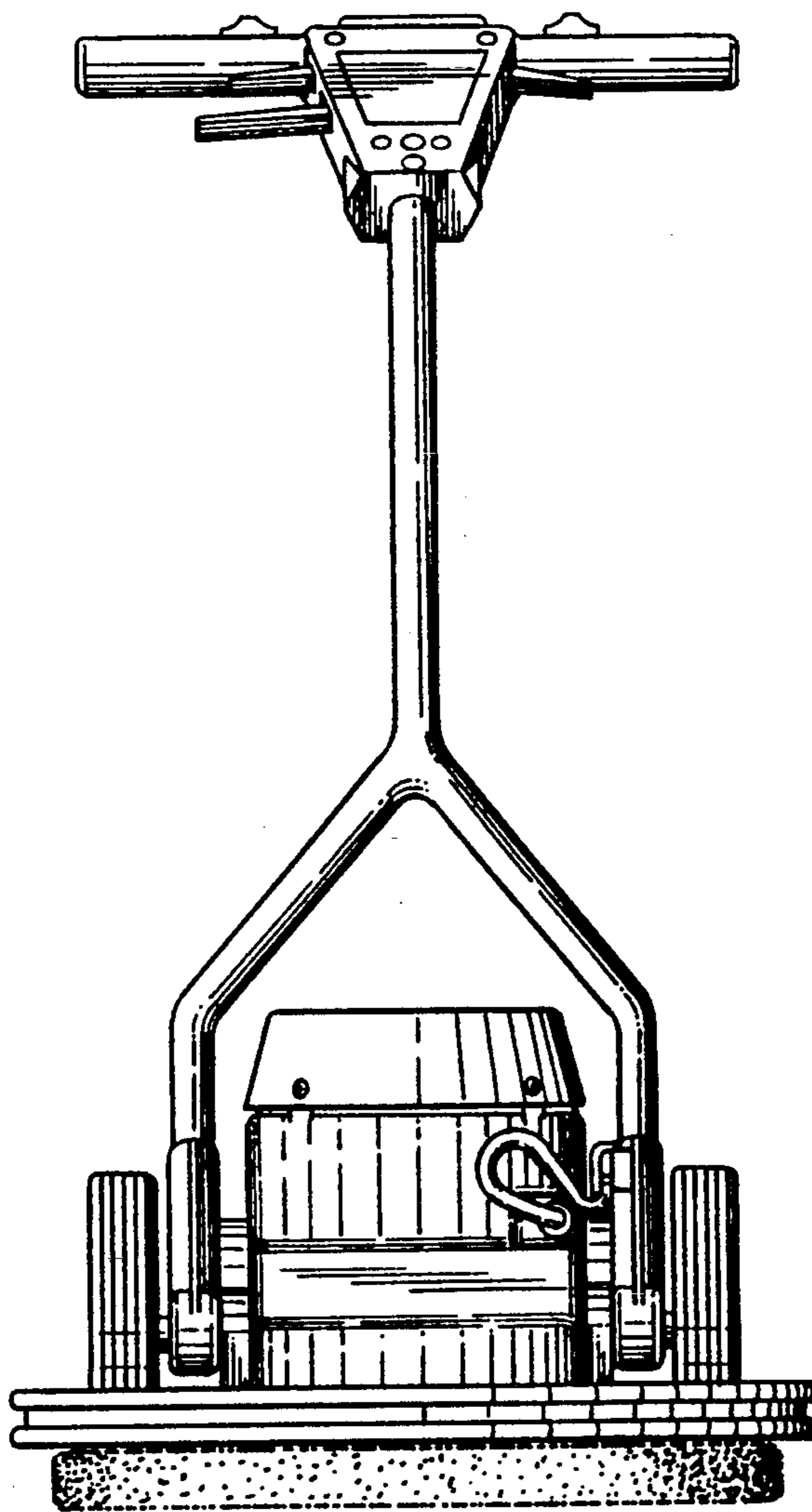


Fig. 4

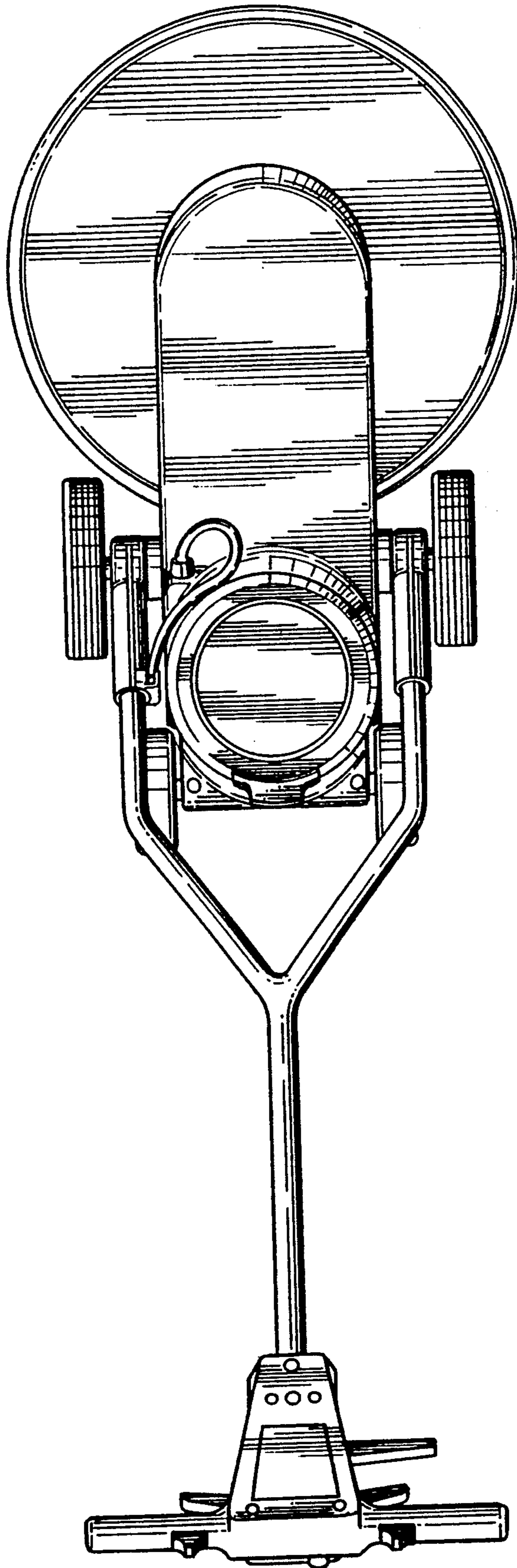
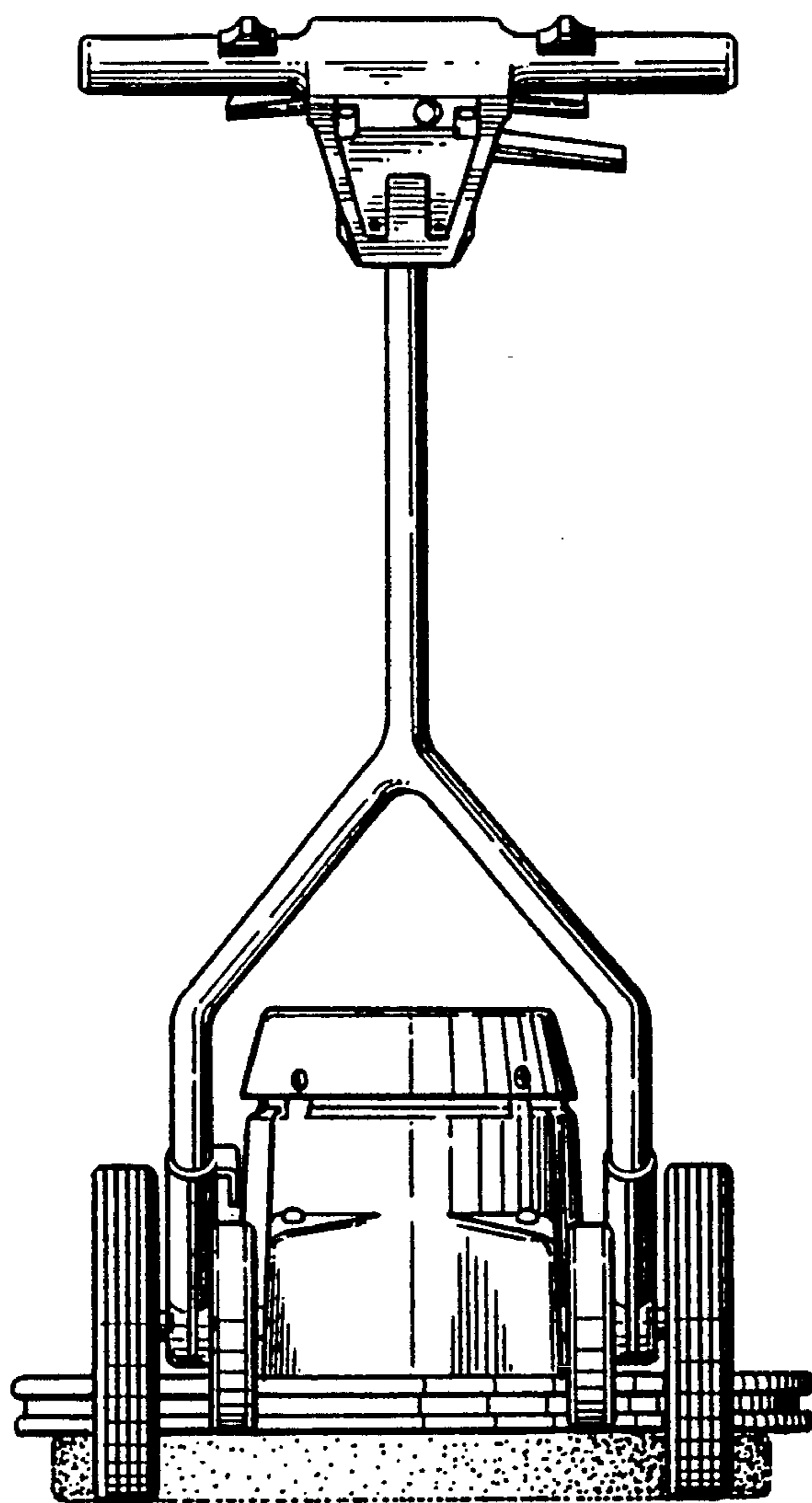


Fig. 5



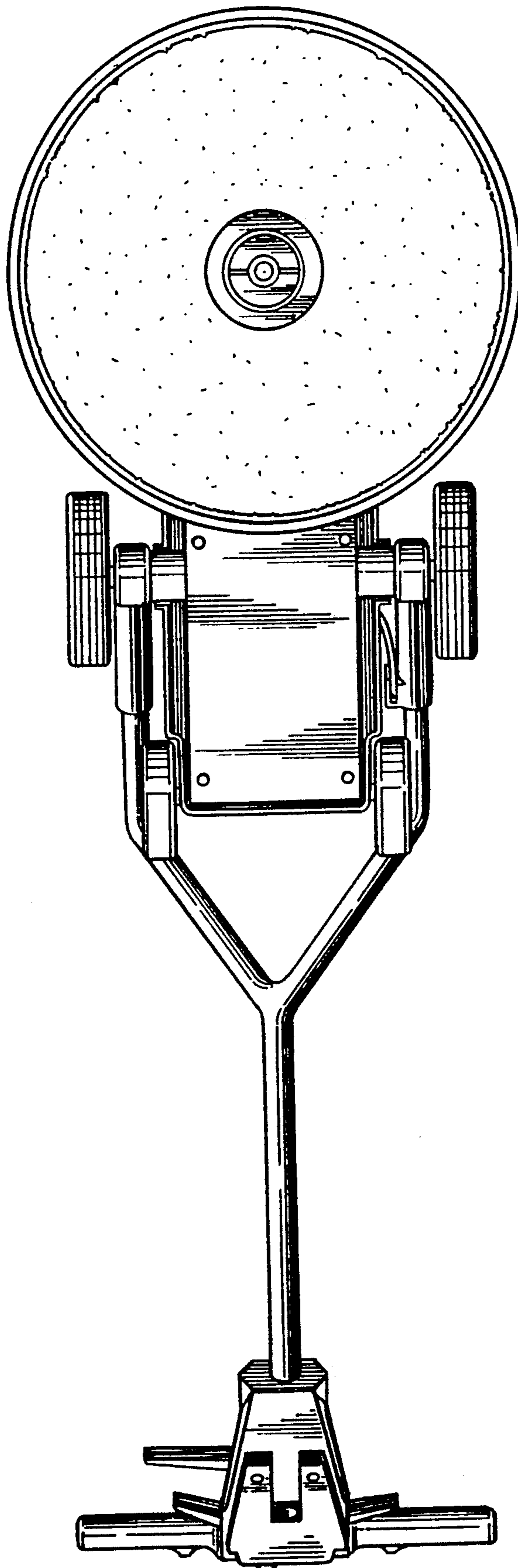


Fig. 6

Fig. 7

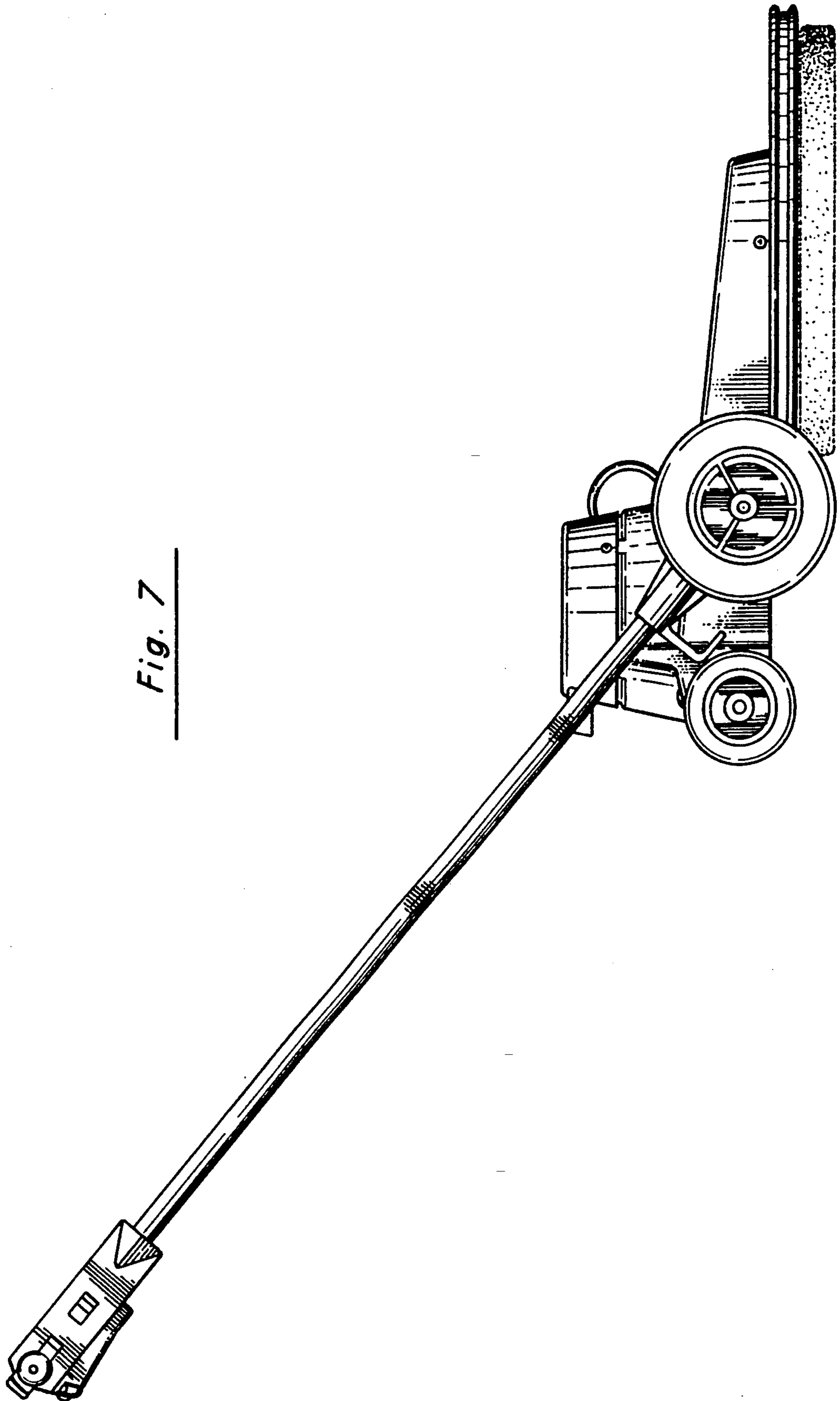
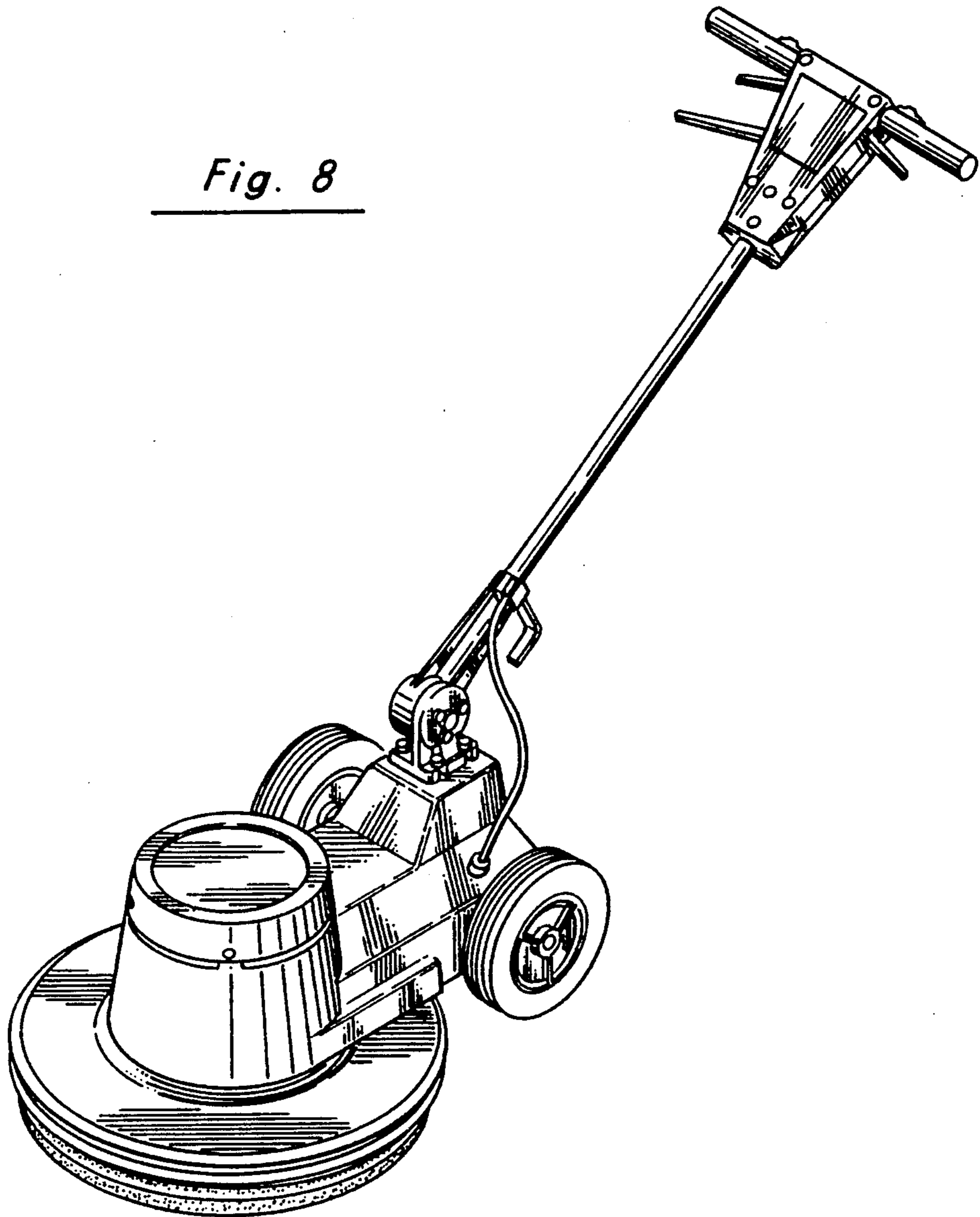


Fig. 8



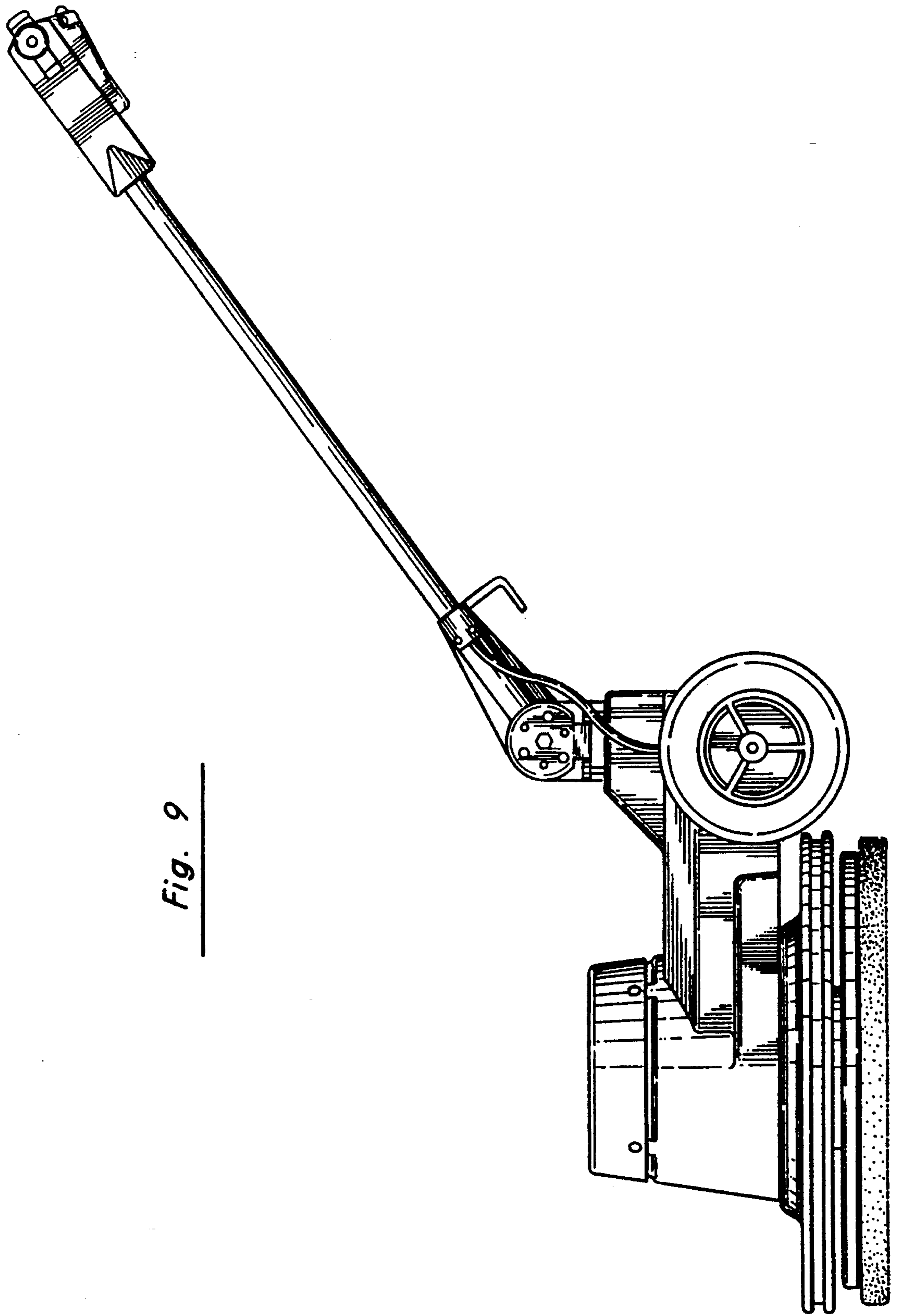


Fig. 9

Fig. 10

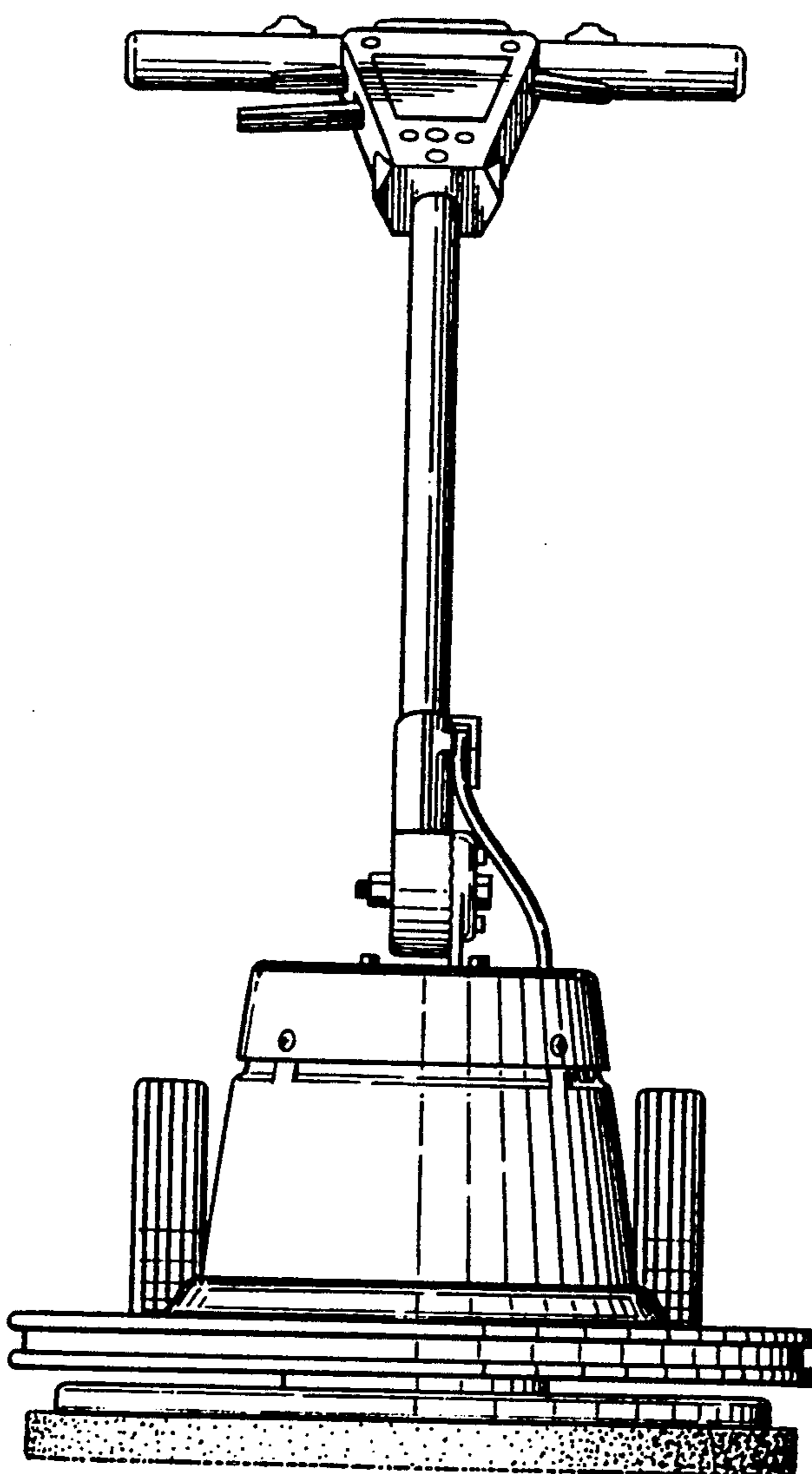


Fig. 11

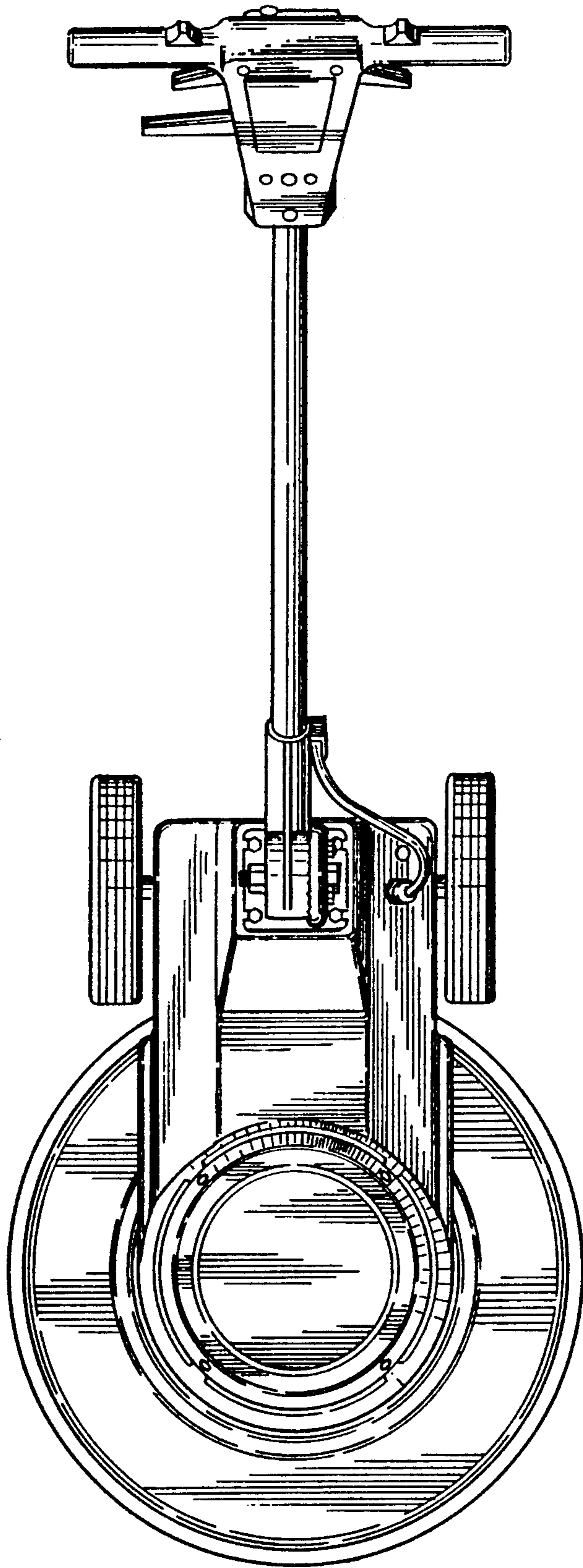


Fig. 12

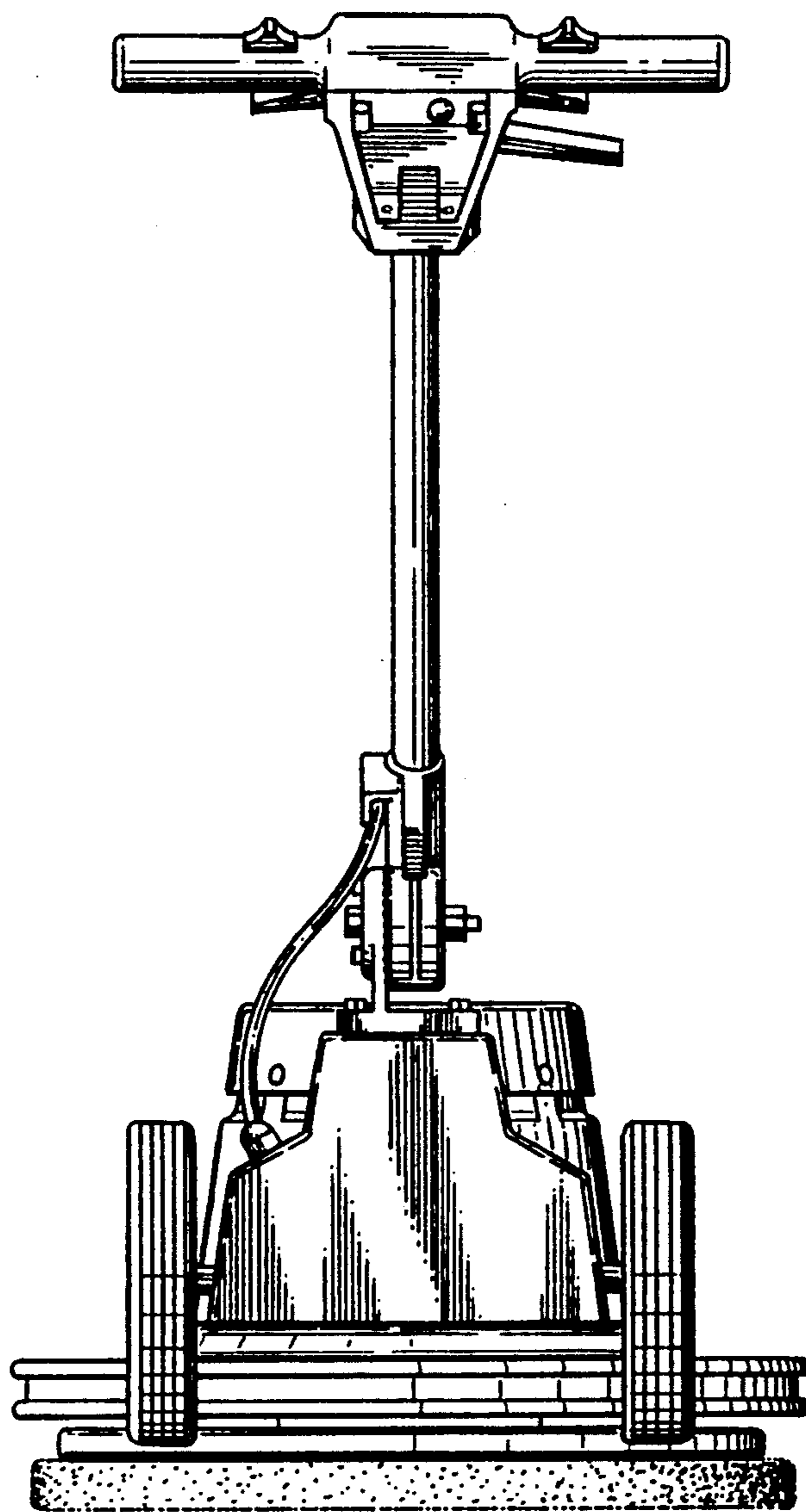
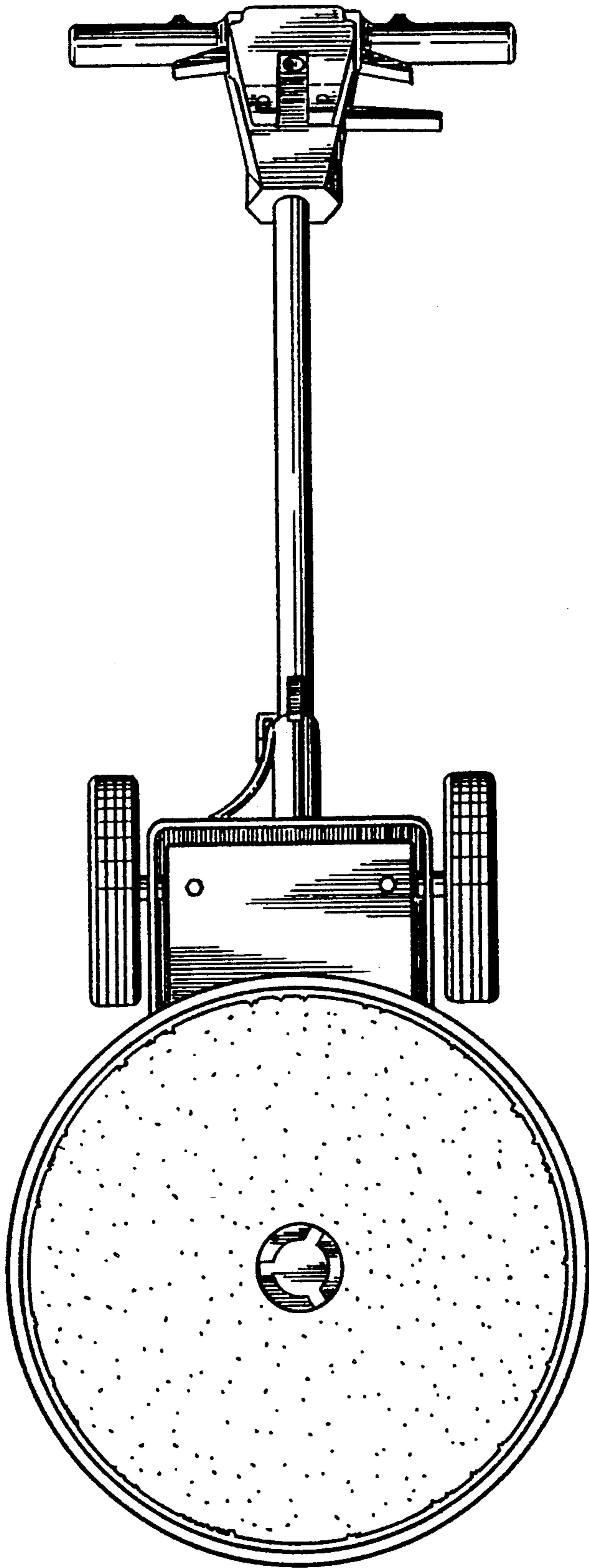


Fig. 13



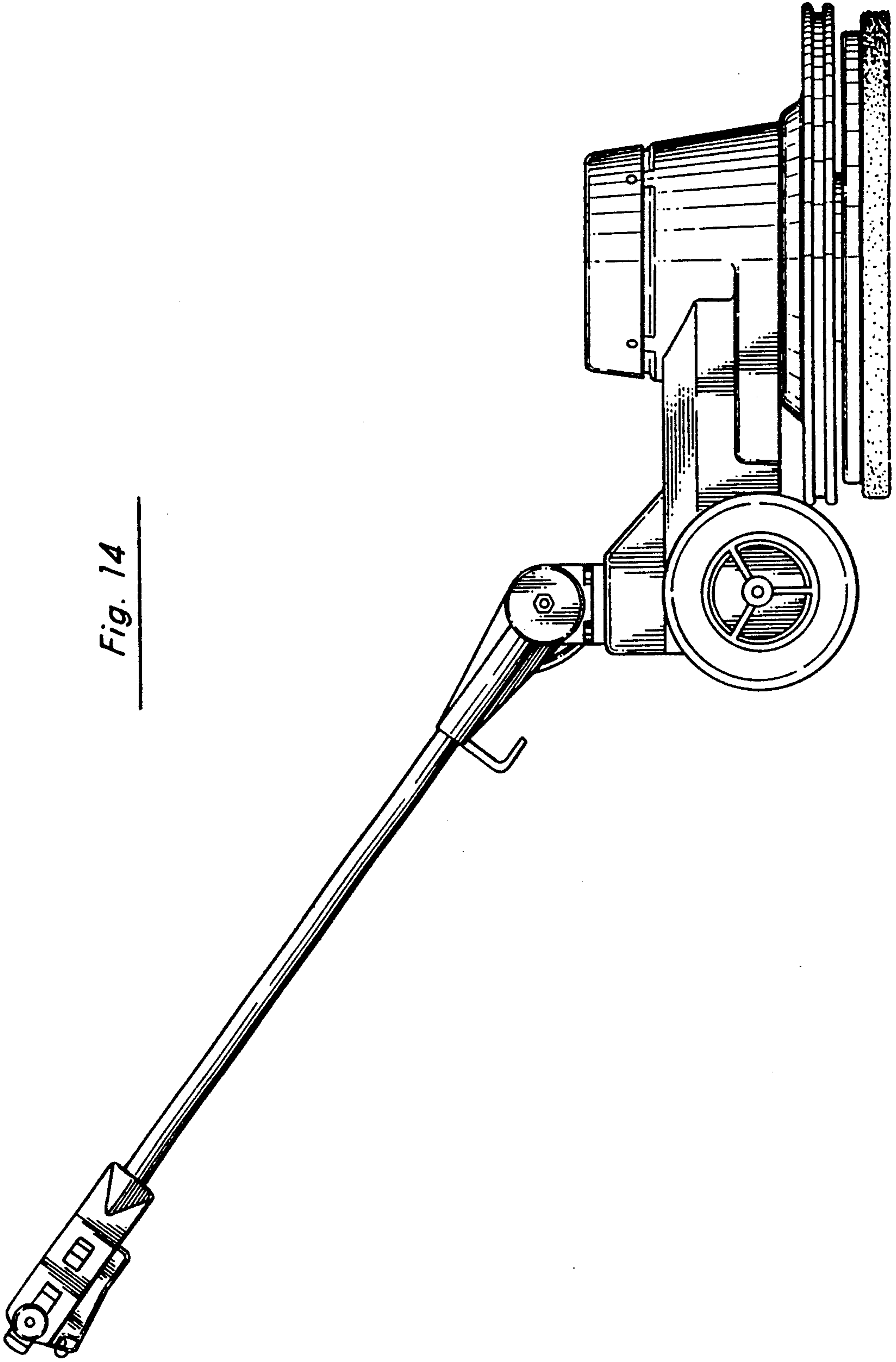


Fig. 14