

[54] **FIRE SAFETY KIT**
 [76] **Inventor: Louise J. Flannagan, 4219 Northstrand Dr., Decatur, Ga. 30035**
 [**] **Term: 14 Years**
 [21] **Appl. No.: 441,418**
 [22] **Filed: Nov. 27, 1989**
 [52] **U.S. Cl. D29/2; D29/1**
 [58] **Field of Search D29/1, 2, 3, 4, 5, 99; 169/51; 239/195, 196; 248/92**

4,244,426 1/1981 Kerr 169/51

FOREIGN PATENT DOCUMENTS

3405745 8/1985 Fed. Rep. of Germany 169/51

Primary Examiner—Kay H. Chin
Attorney, Agent, or Firm—Rodgers & Rodgers

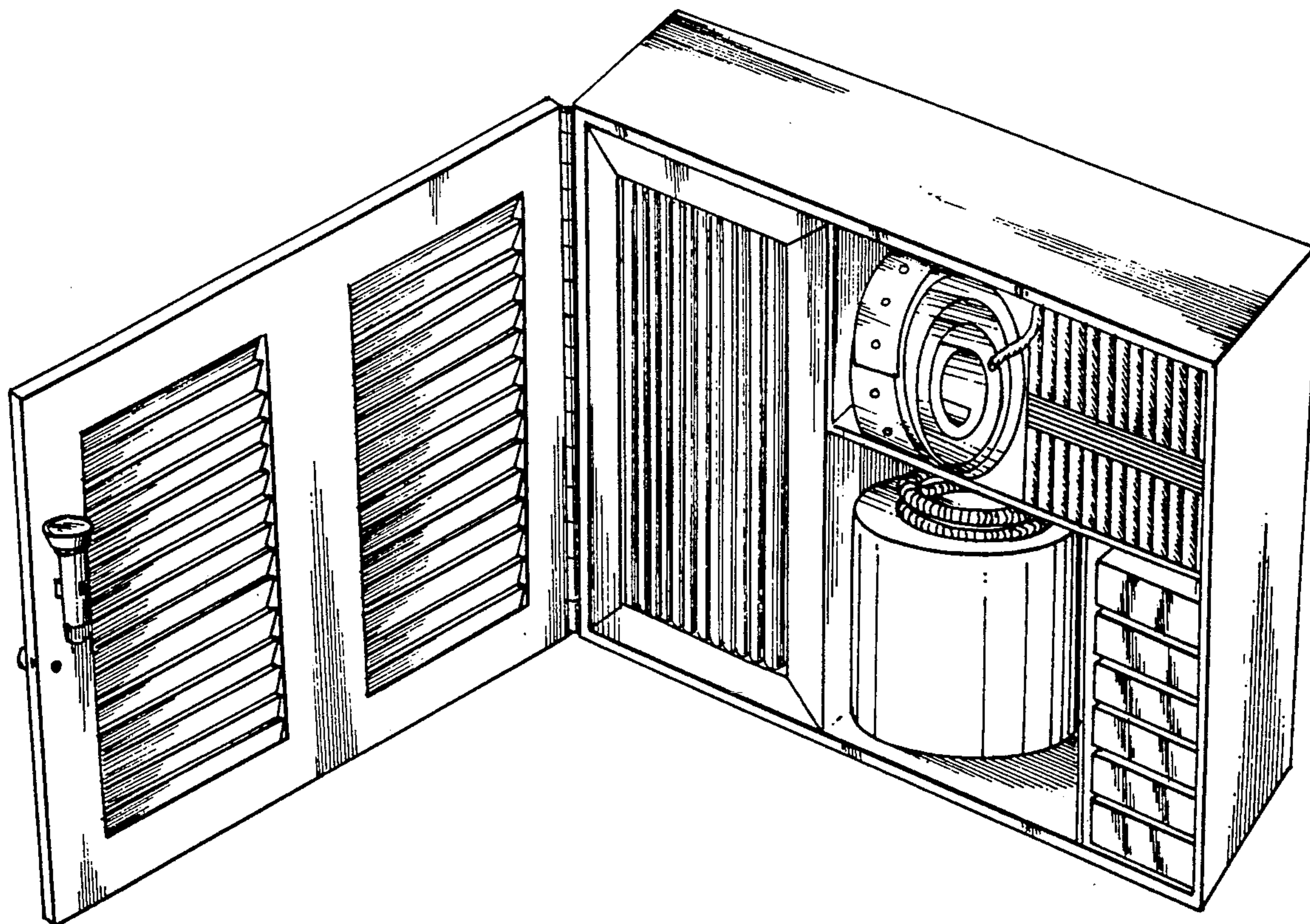
[57] **CLAIM**

The ornamental design for a fire safety kit, as shown and described.

DESCRIPTION

FIG. 1 is a top and front perspective view of a fire safety kit in open condition showing my new design; FIG. 2 is a rear elevational view thereof; FIG. 3 is a top plan view thereof; FIG. 4 is a bottom plan view thereof; FIG. 5 is a left side elevation thereof; and FIG. 6 is a right side elevation thereof.

[56] **References Cited**
U.S. PATENT DOCUMENTS
 D. 278,464 4/1985 Brooks D29/2
 2,993,503 7/1961 Pokryfke et al. 239/195
 4,018,242 4/1977 Schlegel 169/51
 4,062,493 12/1977 Suggs 169/51



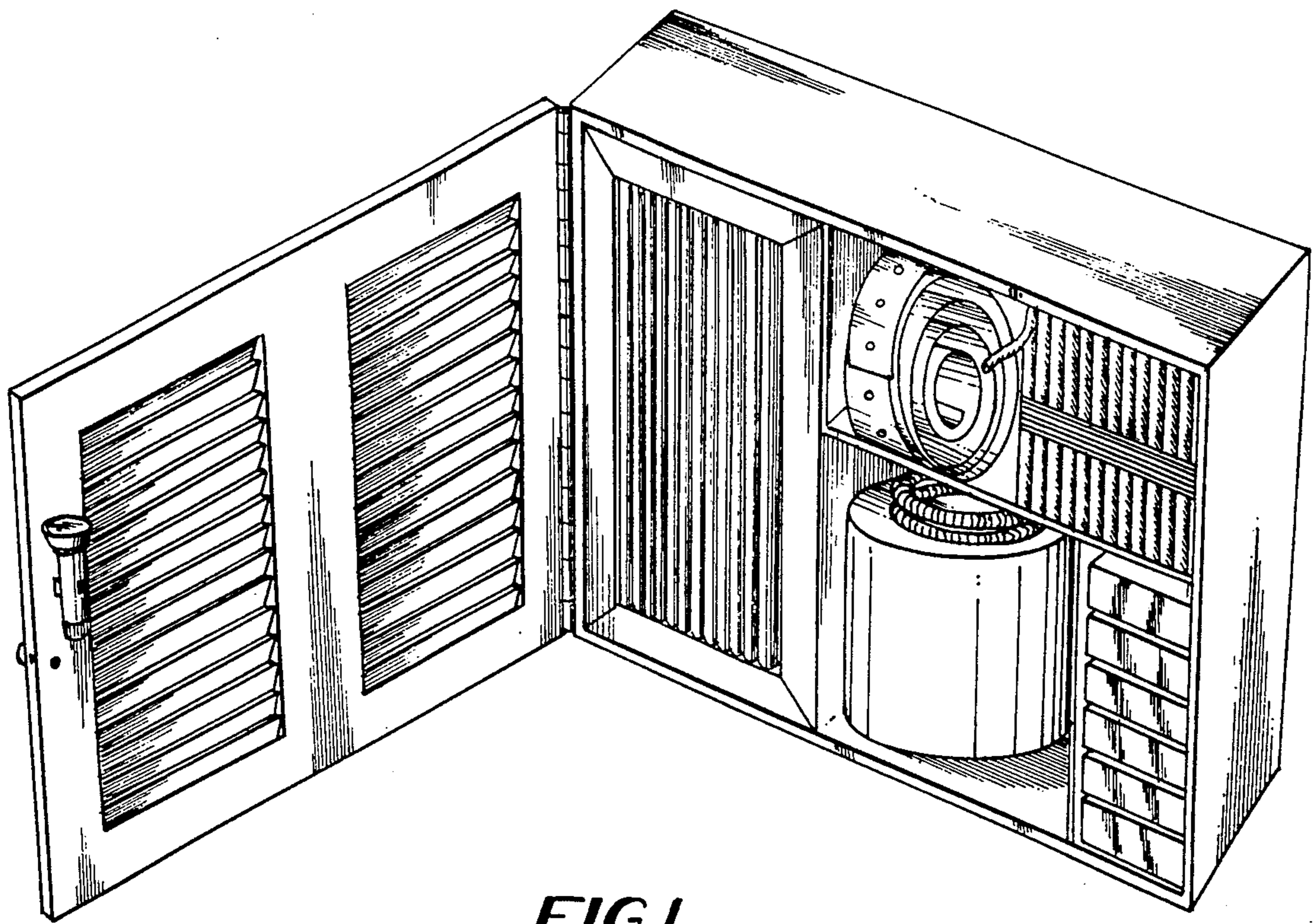


FIG. 1

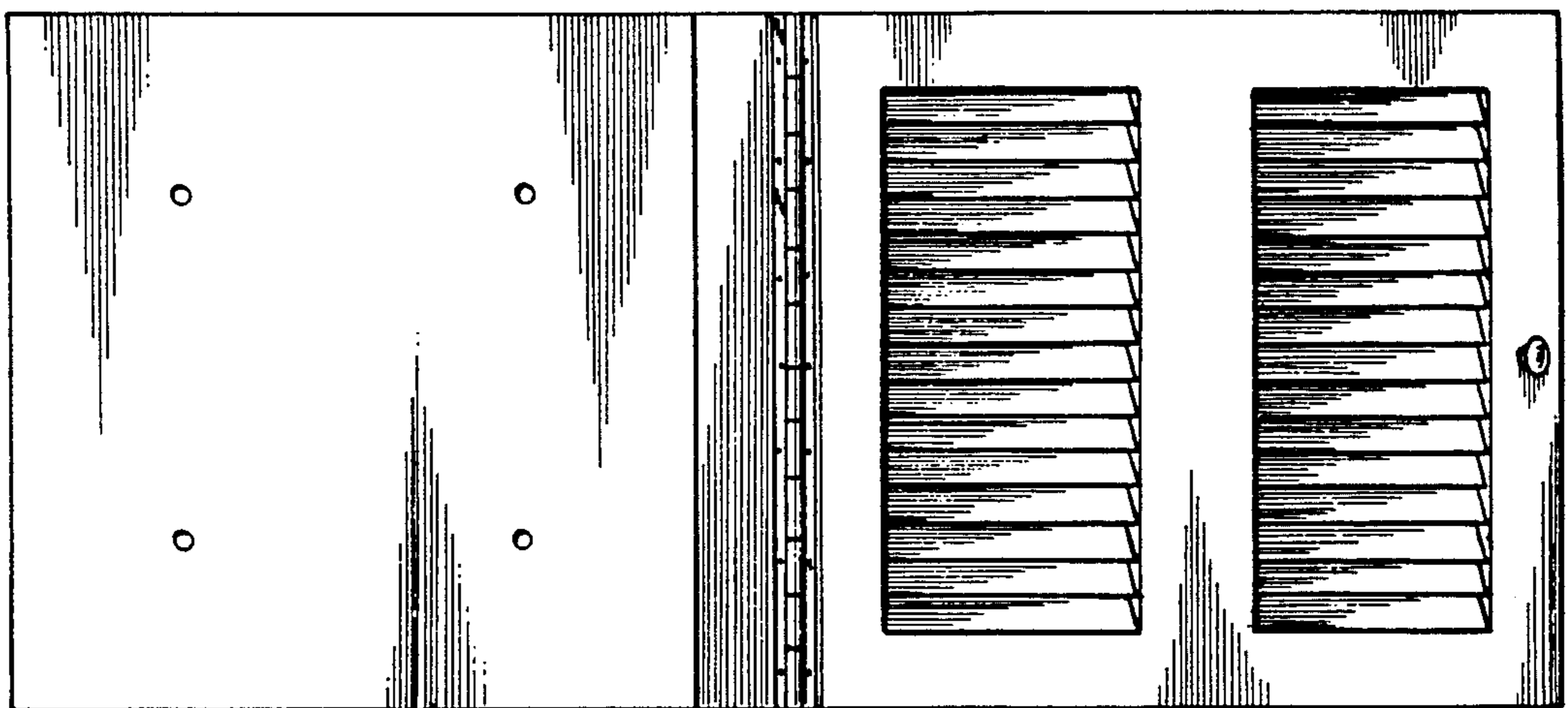


FIG. 2

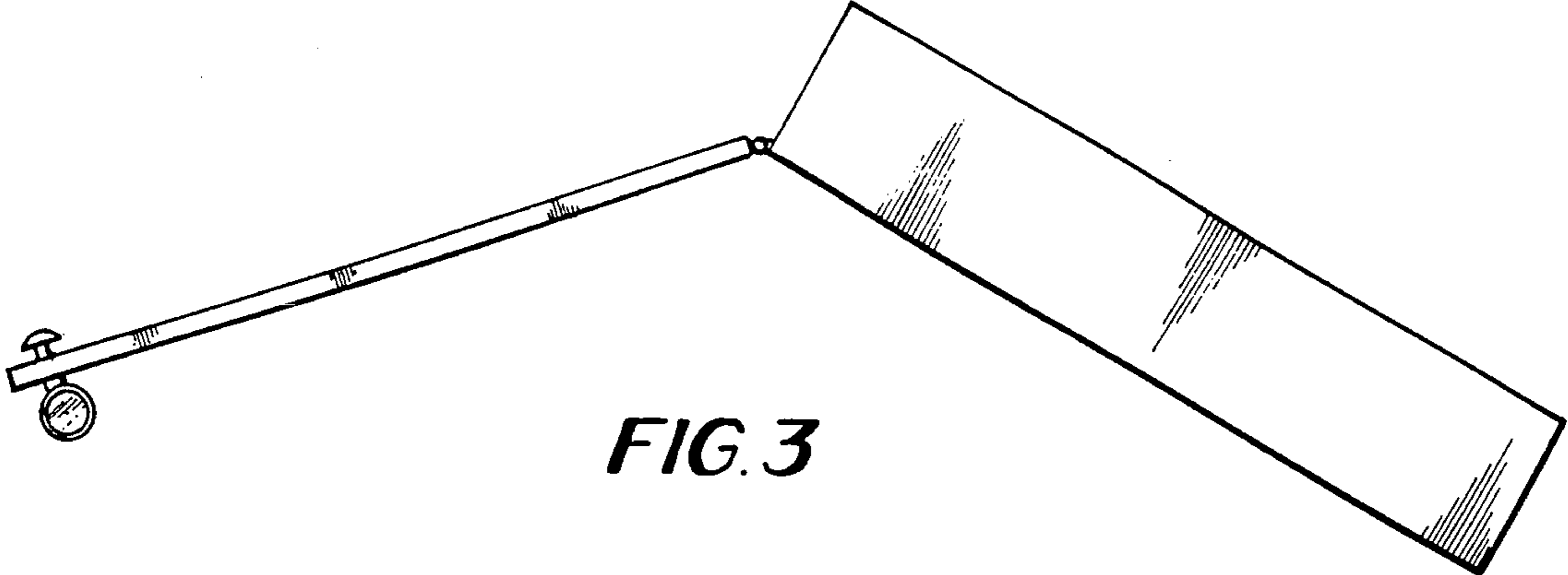


FIG. 3

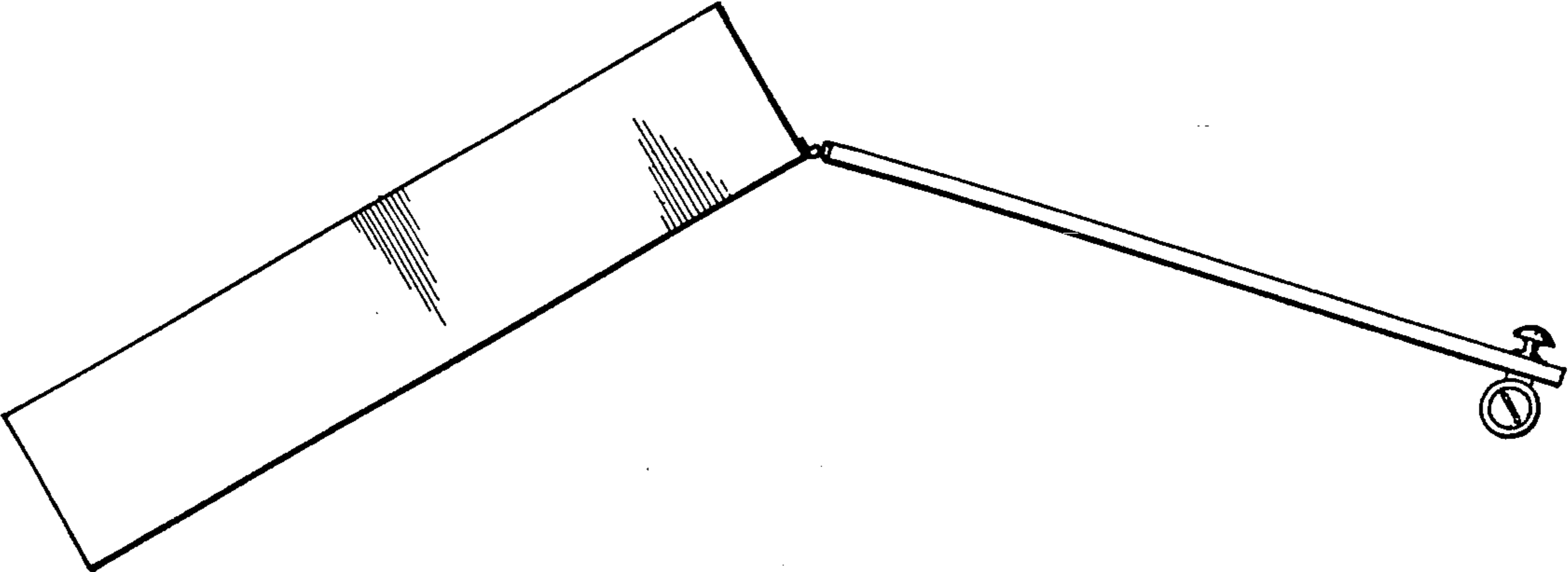


FIG. 4

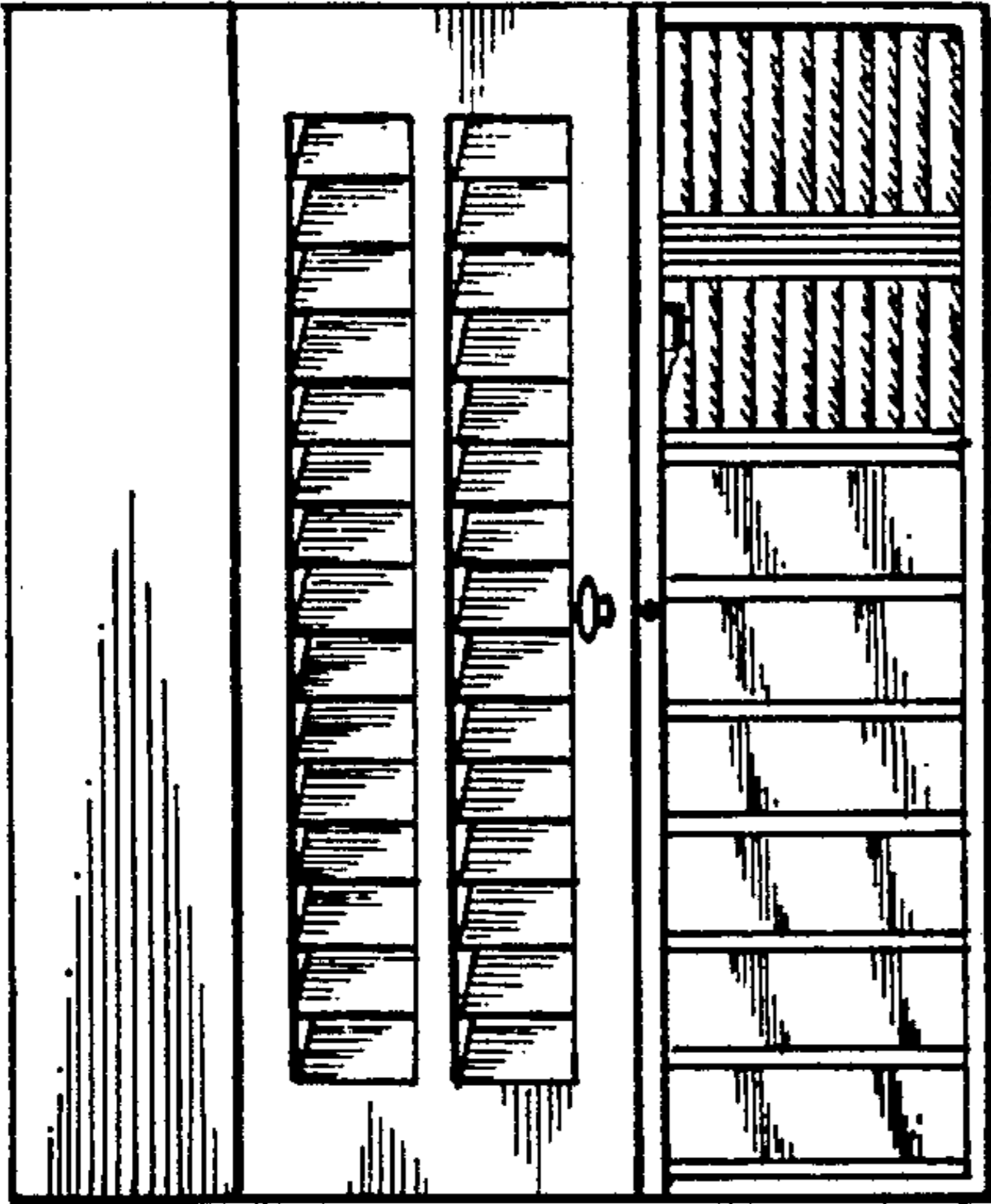


FIG. 5

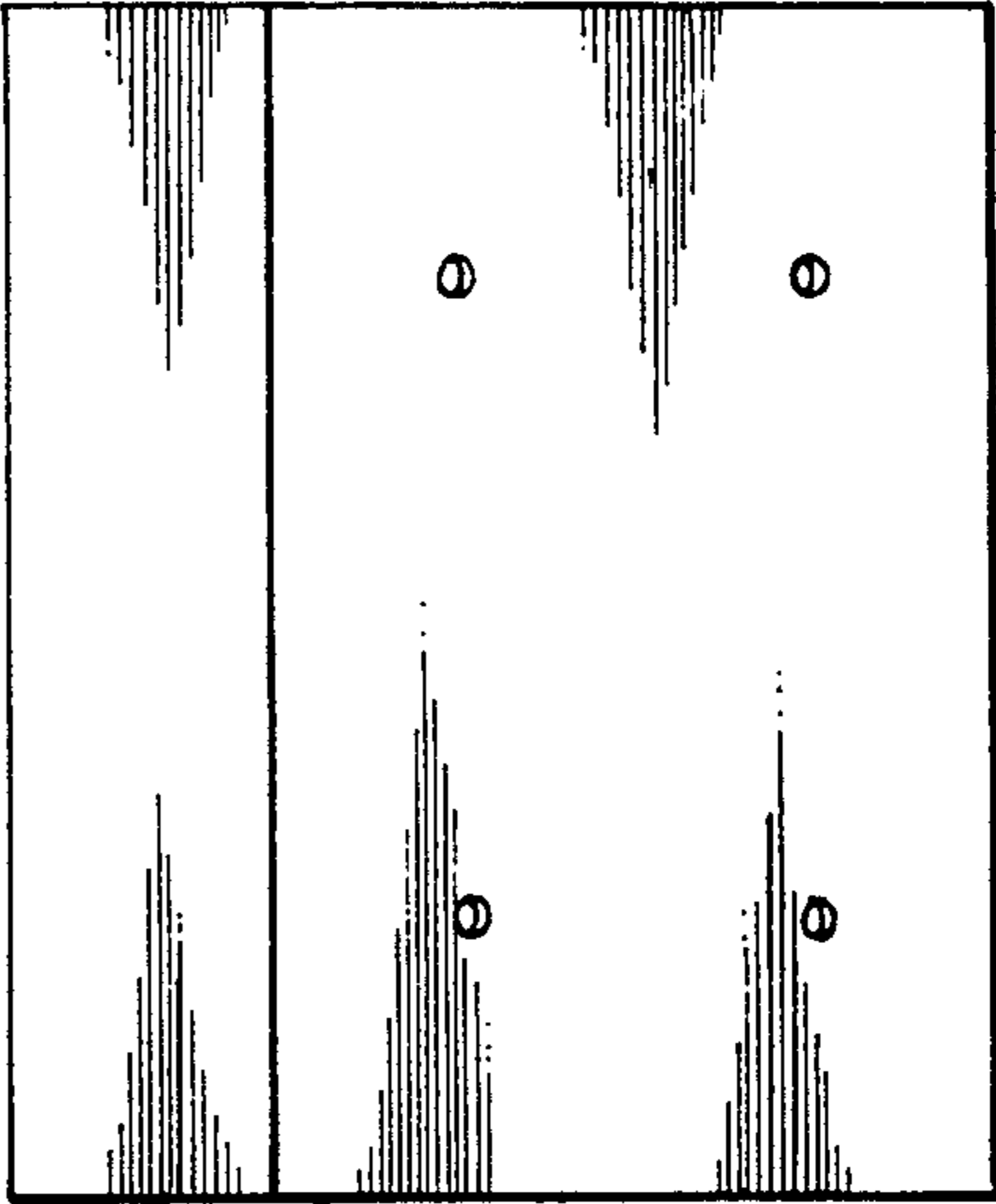


FIG. 6