

[54] **COSMETIC CASE**

[75] **Inventor: Karena Bakic, Varese, Italy**

[73] **Assignee: Cosmede Anstalt, Vaduz,
Liechtenstein**

[**] **Term: 14 Years**

[21] **Appl. No.: 670,597**

[22] **Filed: Mar. 18, 1991**

Related U.S. Application Data

[62] **Division of Ser. No. 354,425, May 19, 1989.**

[30] Foreign Application Priority Data

Nov. 25, 1988 [DE] Fed. Rep. of Germany ... 8803527[U]

[52] **U.S. Cl. D28/83**

[58] **Field of Search D28/78-83;**

D9/341, 420, 423, 432; 132/293, 294, 303,

313-315; 206/235, 581, 823, 37, 38; 220/DIG.

26

[56] **References Cited**

U.S. PATENT DOCUMENTS

D. 286,212 10/1986 Campello et al. D28/83
D. 287,418 12/1986 Trabattoni D28/83
D. 292,626 11/1987 Chevassus D28/78
D. 303,582 9/1989 Gavin D28/78
D. 316,763 5/1991 Ferrari D28/83

OTHER PUBLICATIONS

Beauty Fashion, 2-1986, p. 18, Compact at bot-
tom—#778.

Primary Examiner—Bernard Ansher

Assistant Examiner—C. Tuttle

Attorney, Agent, or Firm—Kenyon & Kenyon

[57] **CLAIM**

The ornamental design for a cosmetic case, as shown
and described.

DESCRIPTION

FIG. 1 is a top left front perspective view of a cosmetic
case showing my new design;

FIG. 2 is a bottom right rear perspective view thereof;

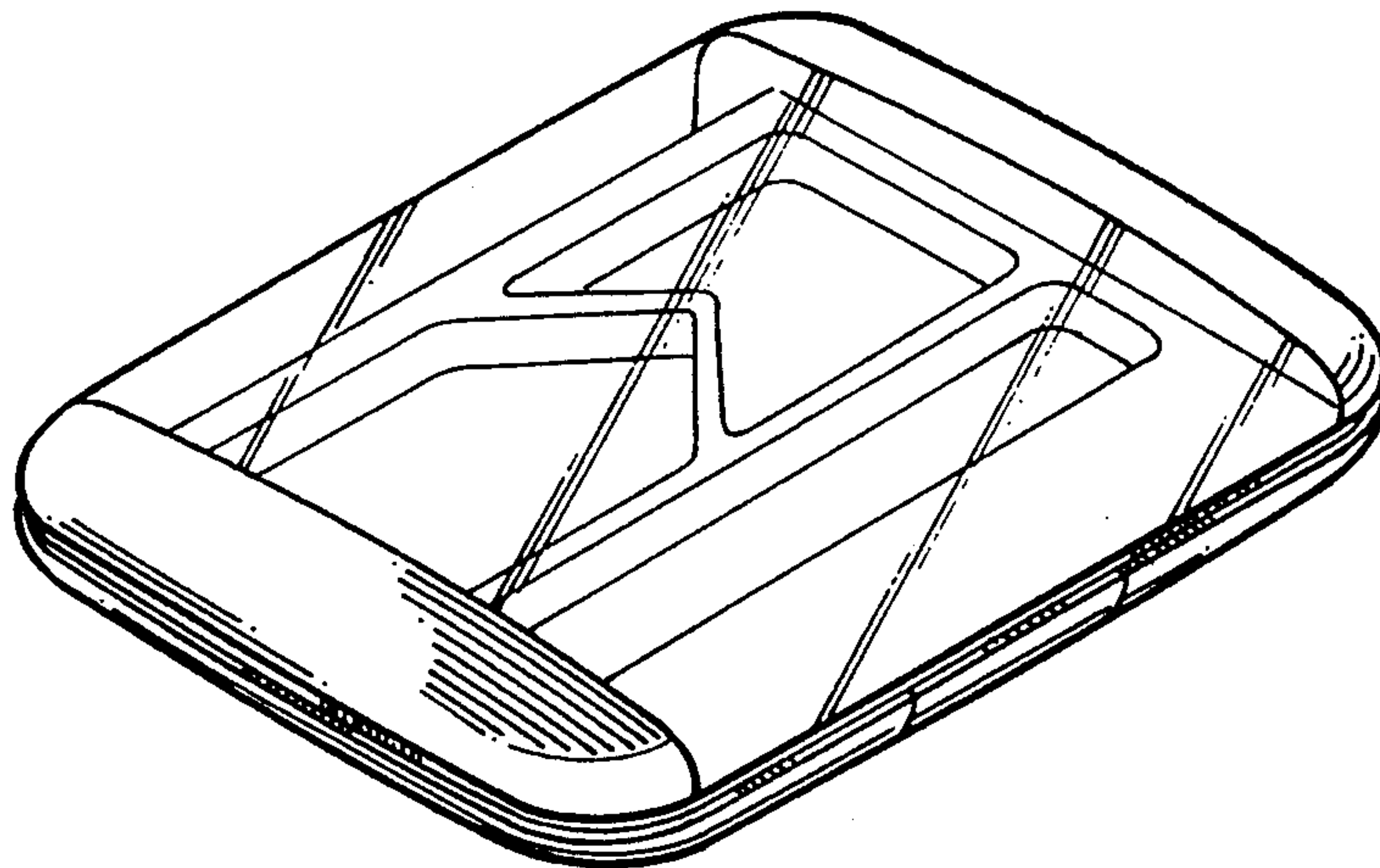
FIG. 3 is a front elevational view thereof;

FIG. 4 is a left side elevational view thereof;

FIG. 5 is a top plan view thereof;

FIG. 6 is a bottom plan view thereof;

FIG. 7 is a rear elevational view thereof.



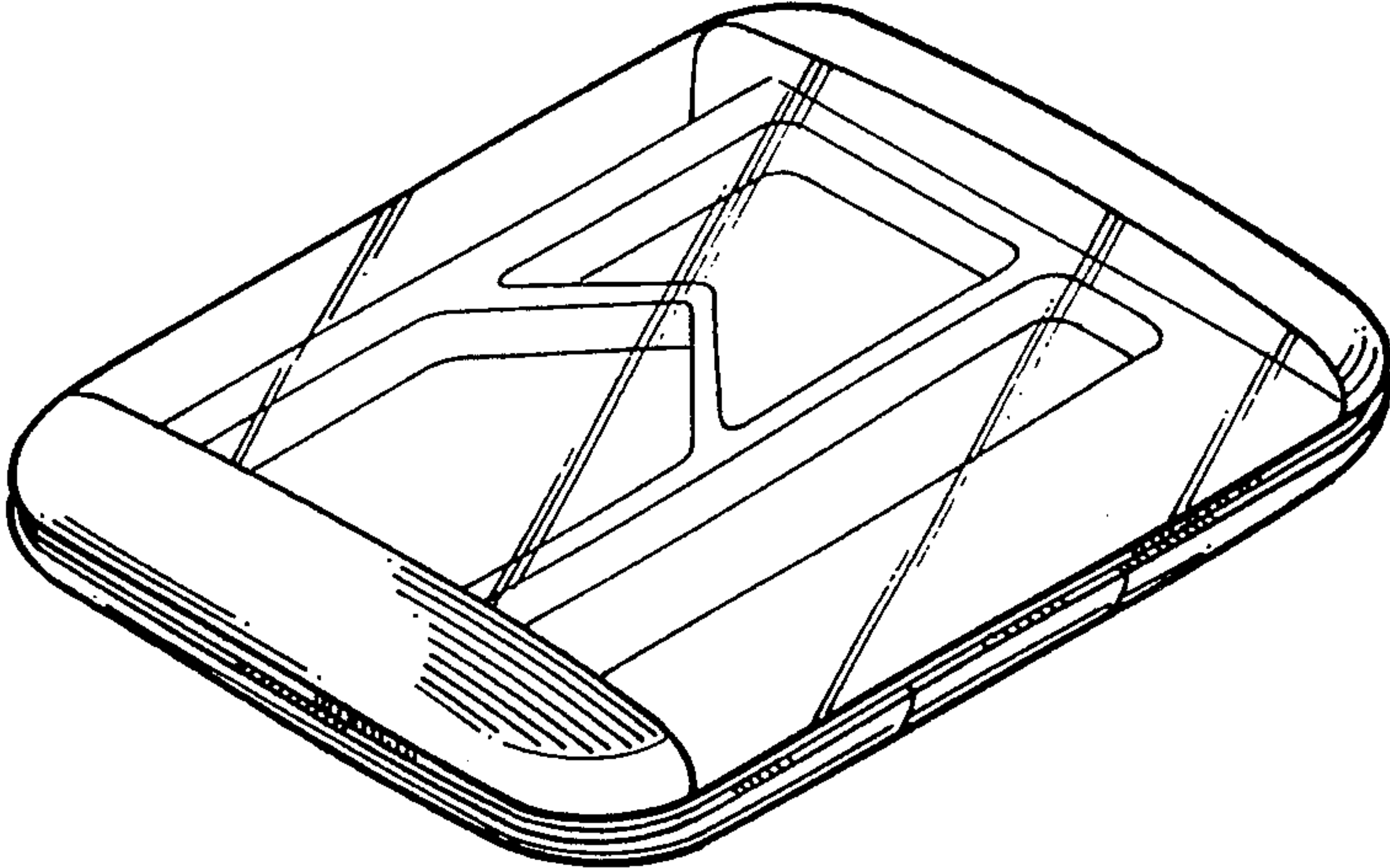


FIG. 1

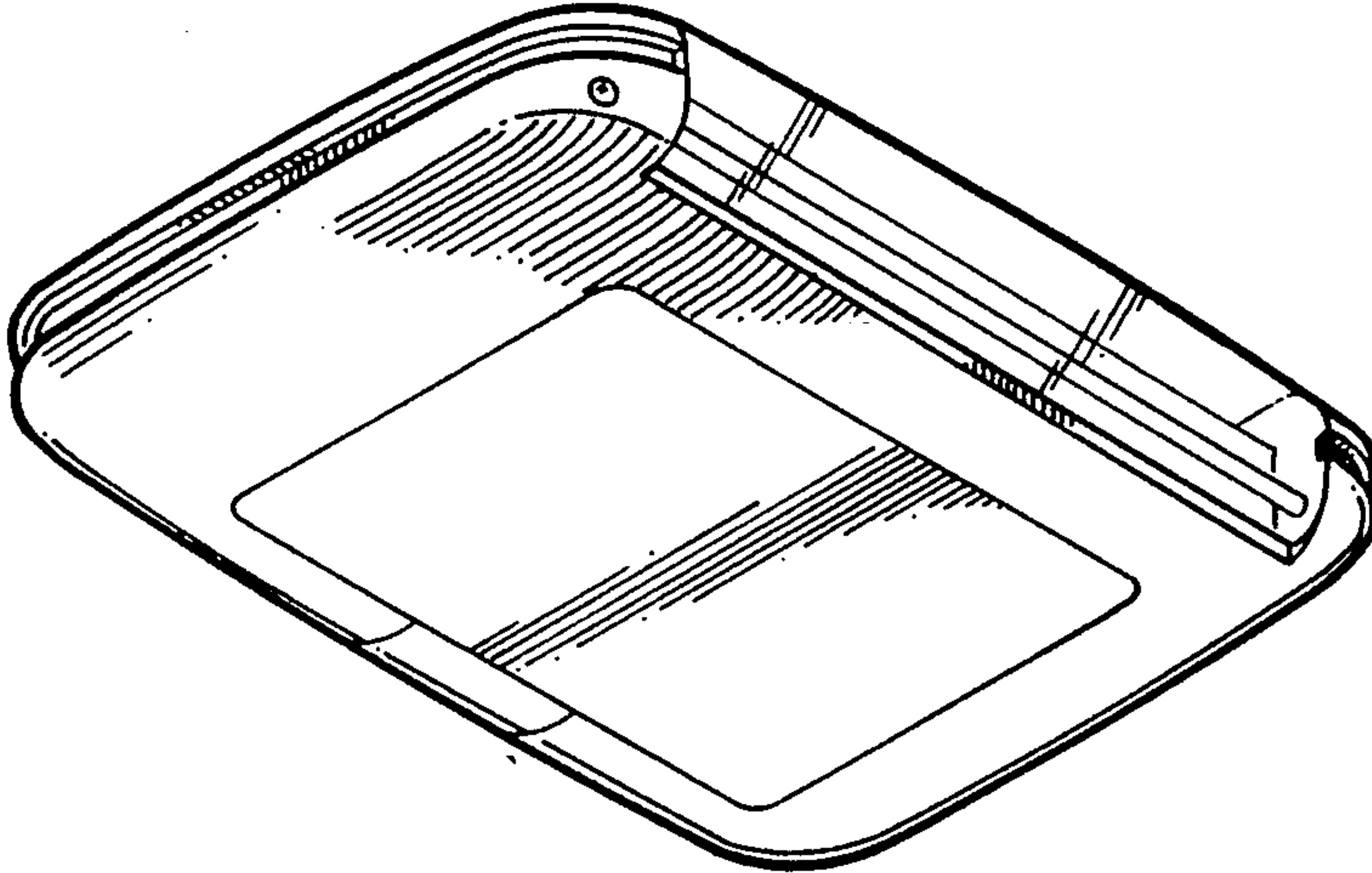


FIG. 2

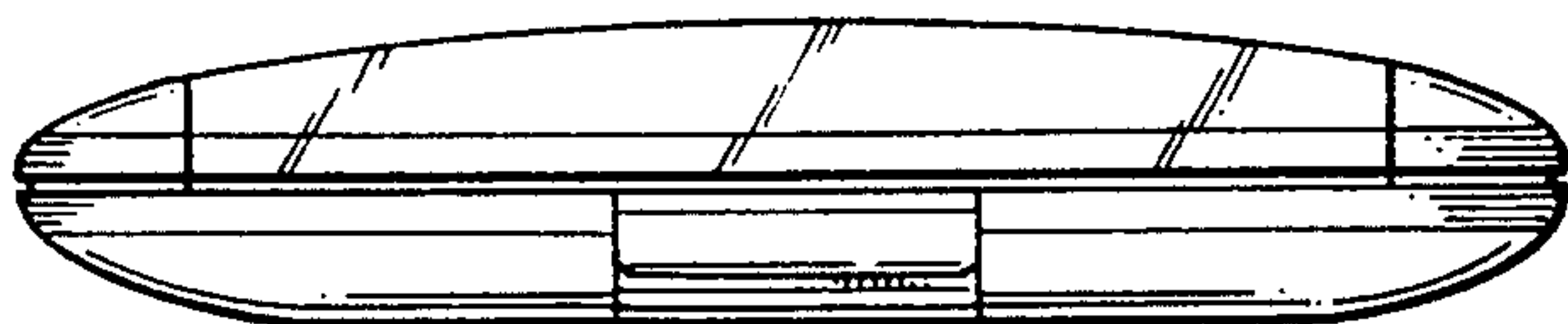


FIG. 3

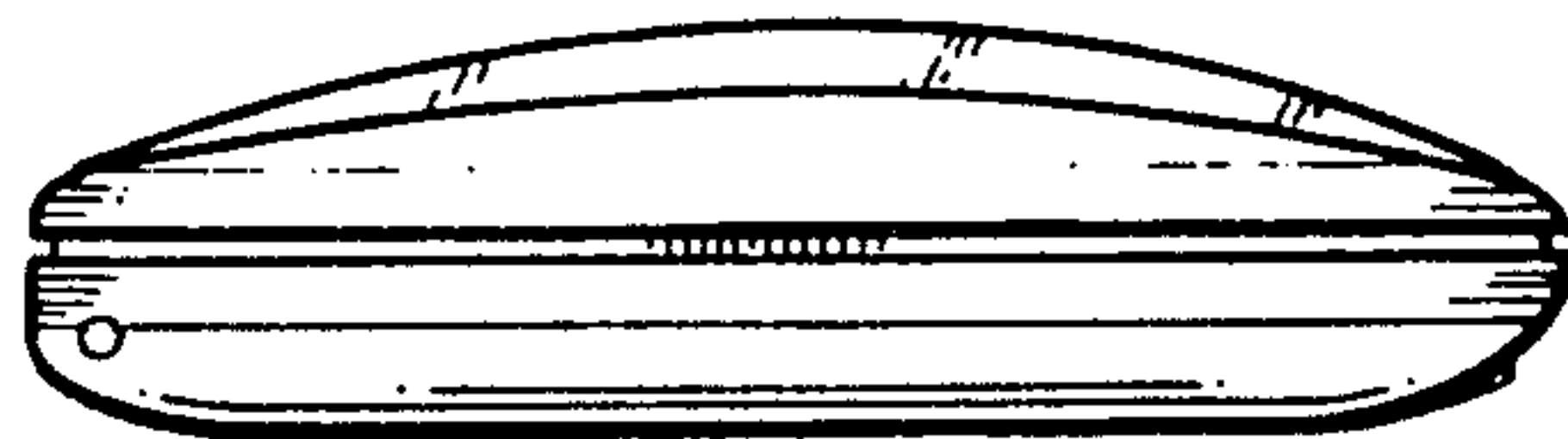


FIG. 4

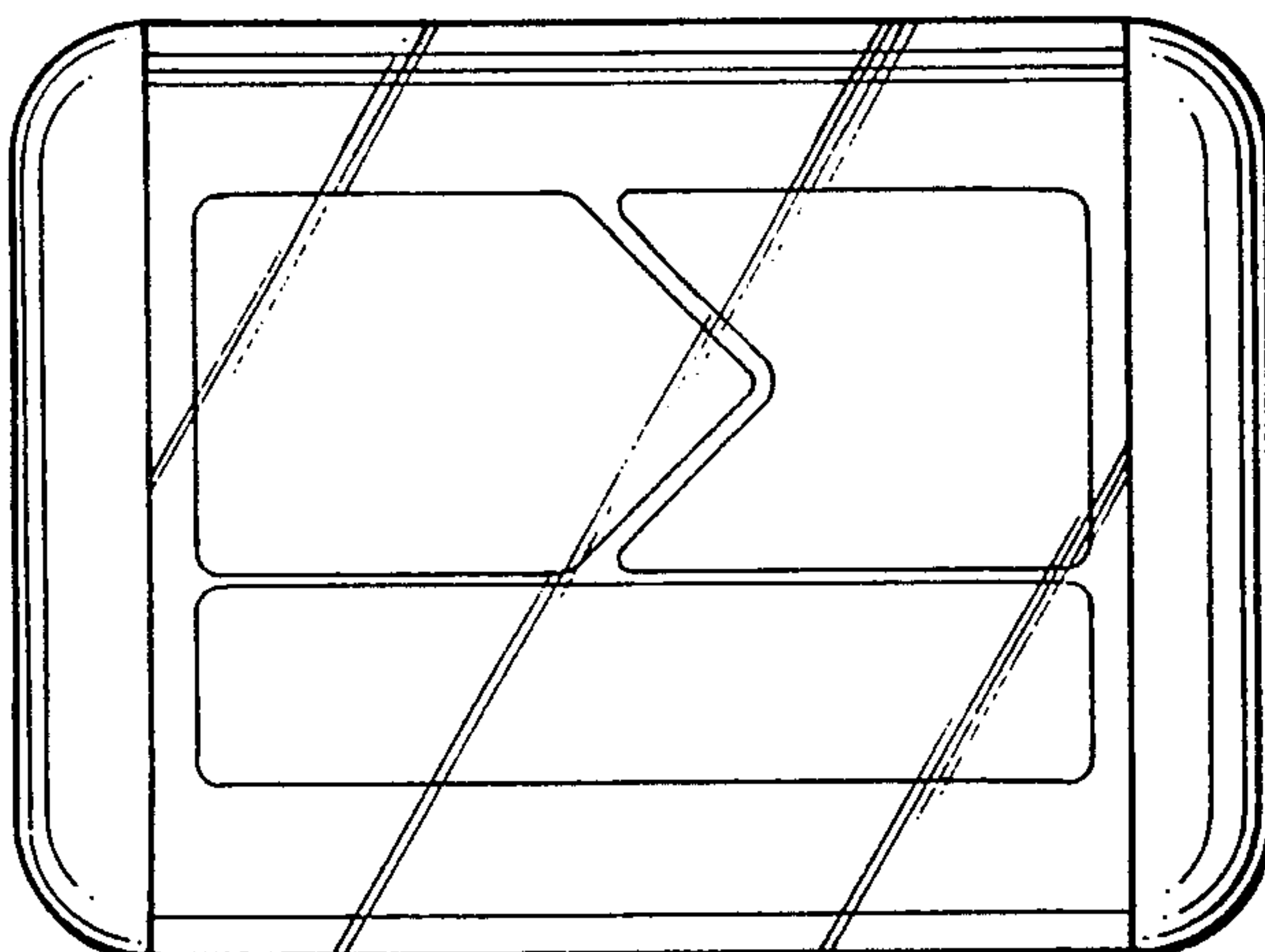


FIG. 5

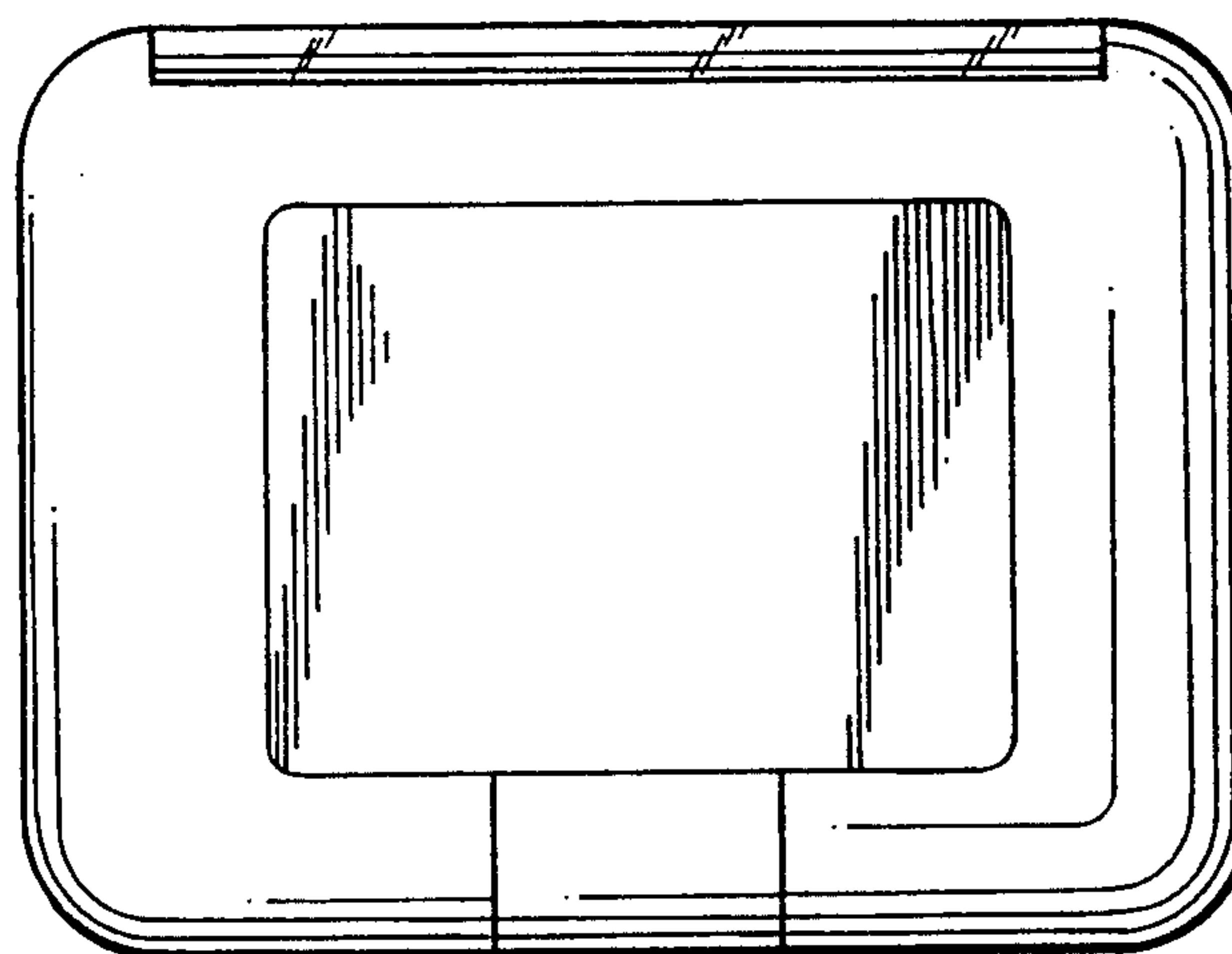


FIG. 6

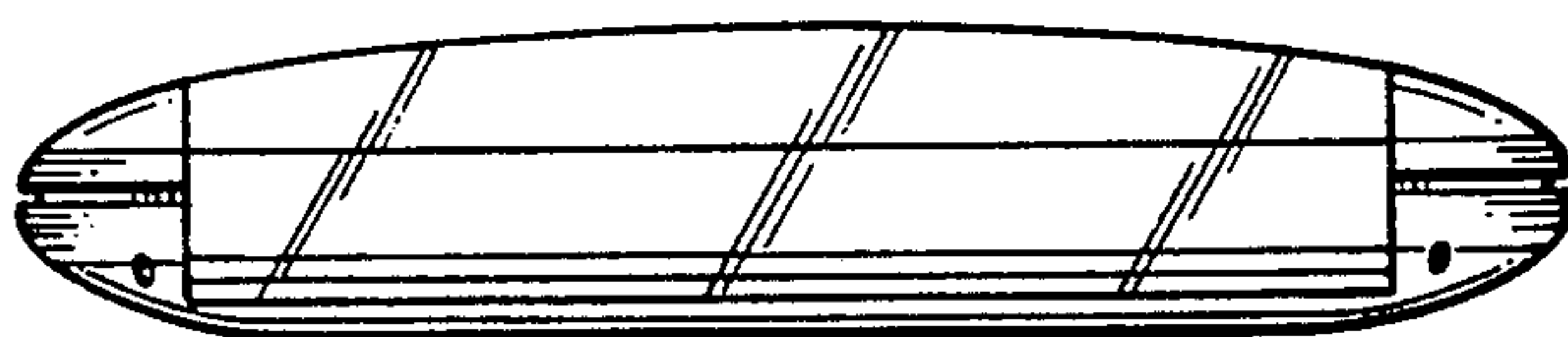


FIG. 7