

[54] HAIR DRYER

[75] Inventor: Reiner Moll, Schwäbisch Gmünd, Fed. Rep. of Germany

[73] Assignee: Olymp Karl Herzog GmbH & Co., Stuttgart, Fed. Rep. of Germany

[**] Term: 14 Years

[21] Appl. No.: 488,751

[22] Filed: Mar. 5, 1990

[30] Foreign Application Priority Data

Sep. 6, 1989 [DE] Fed. Rep. of Germany 8906255
[52] U.S. Cl. D28/17
[58] Field of Search D28/10, 12, 17; 132/212, 271; 34/96-101; 392/413

[56] References Cited

U.S. PATENT DOCUMENTS

D. 235,383	6/1975	McNair	D28/18
4,541,442	9/1985	Hollmann et al.	132/212
4,691,751	9/1987	Giorgis	34/98 X
4,914,273	4/1990	Matsui	219/222

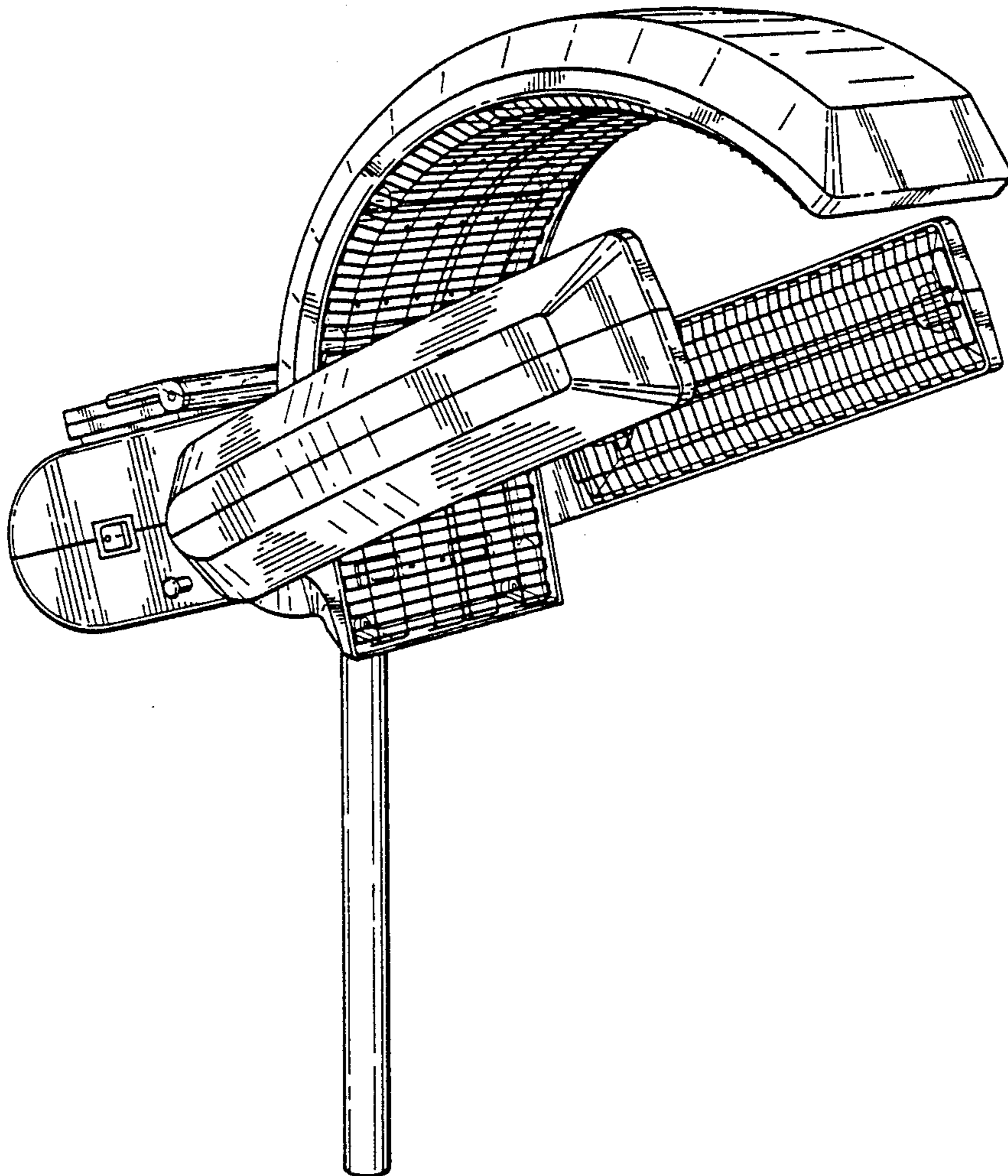
Primary Examiner—Bernard Ansher
Assistant Examiner—C. Tuttle
Attorney, Agent, or Firm—Toren, McGeady & Associates

[57] CLAIM

The ornamental design for a hair dryer, as shown.

DESCRIPTION

FIG. 1 is a front and left side perspective view of a hair dryer showing my new design; FIG. 2 is a right side elevational view thereof; FIG. 3 is a front elevational view thereof; FIG. 4 is a left side elevational view thereof; FIG. 5 is a top plan view thereof; FIG. 6 is a rear elevational view thereof; and FIG. 7 is a bottom plan view thereof.



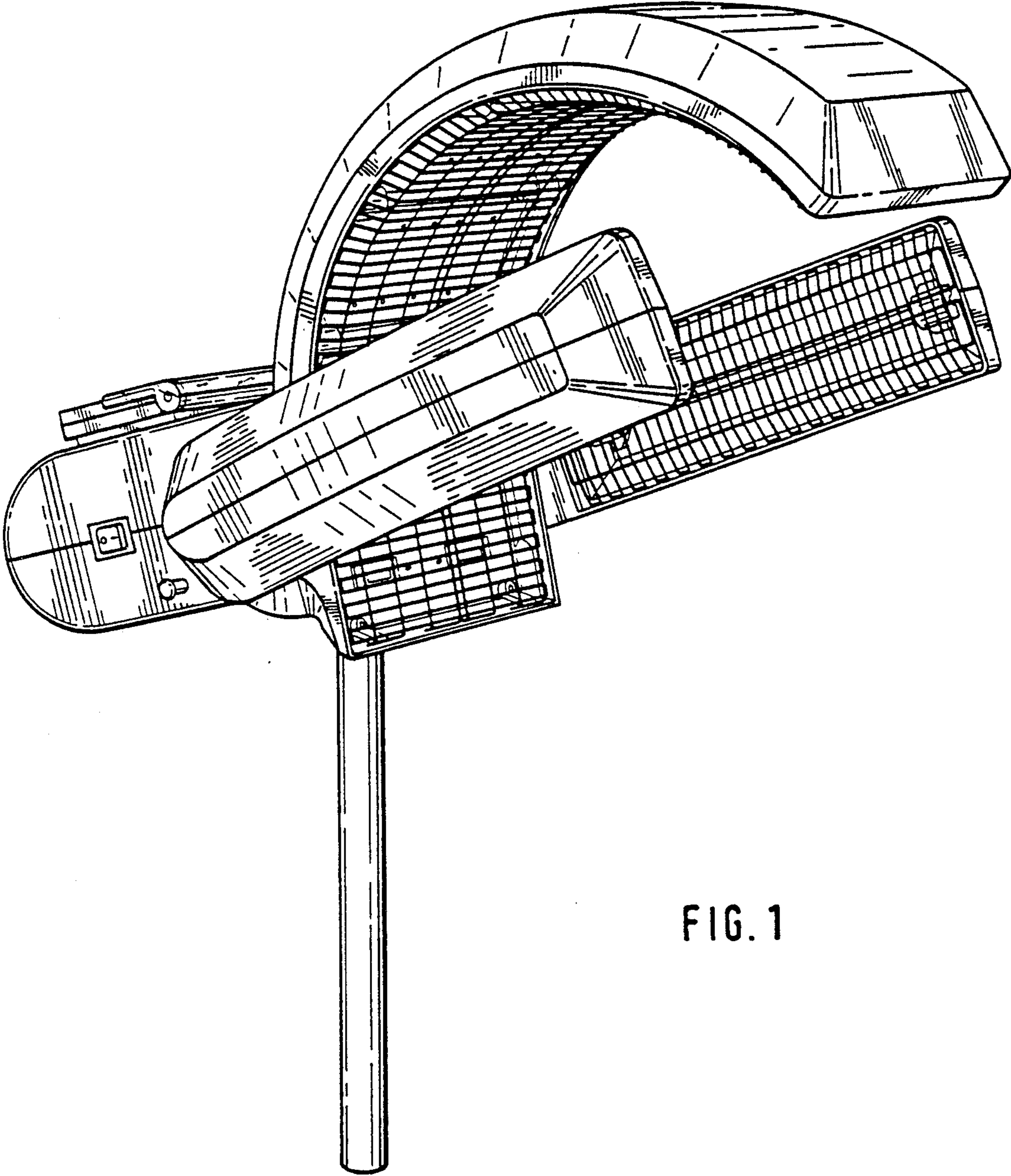


FIG. 1

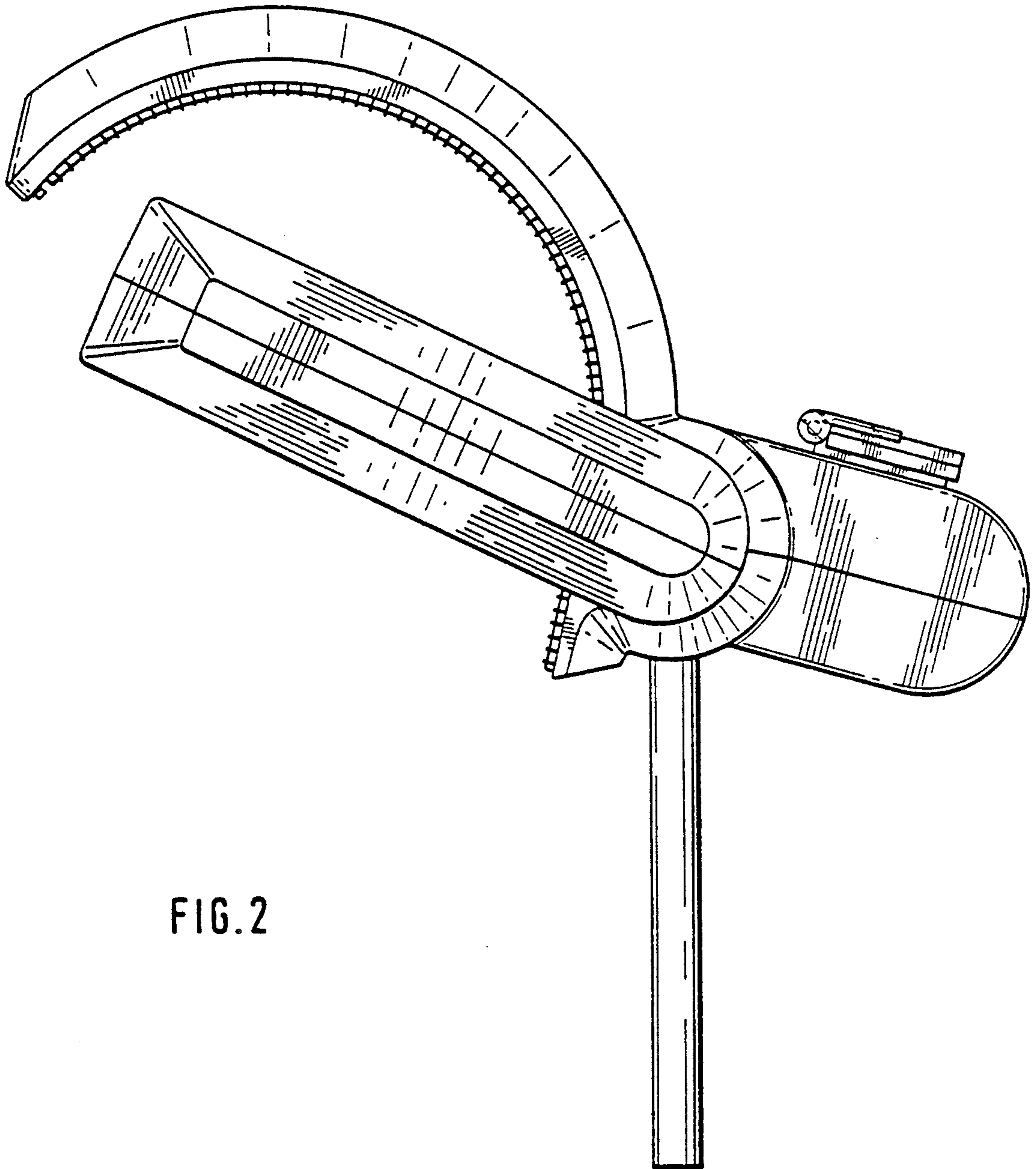


FIG. 2

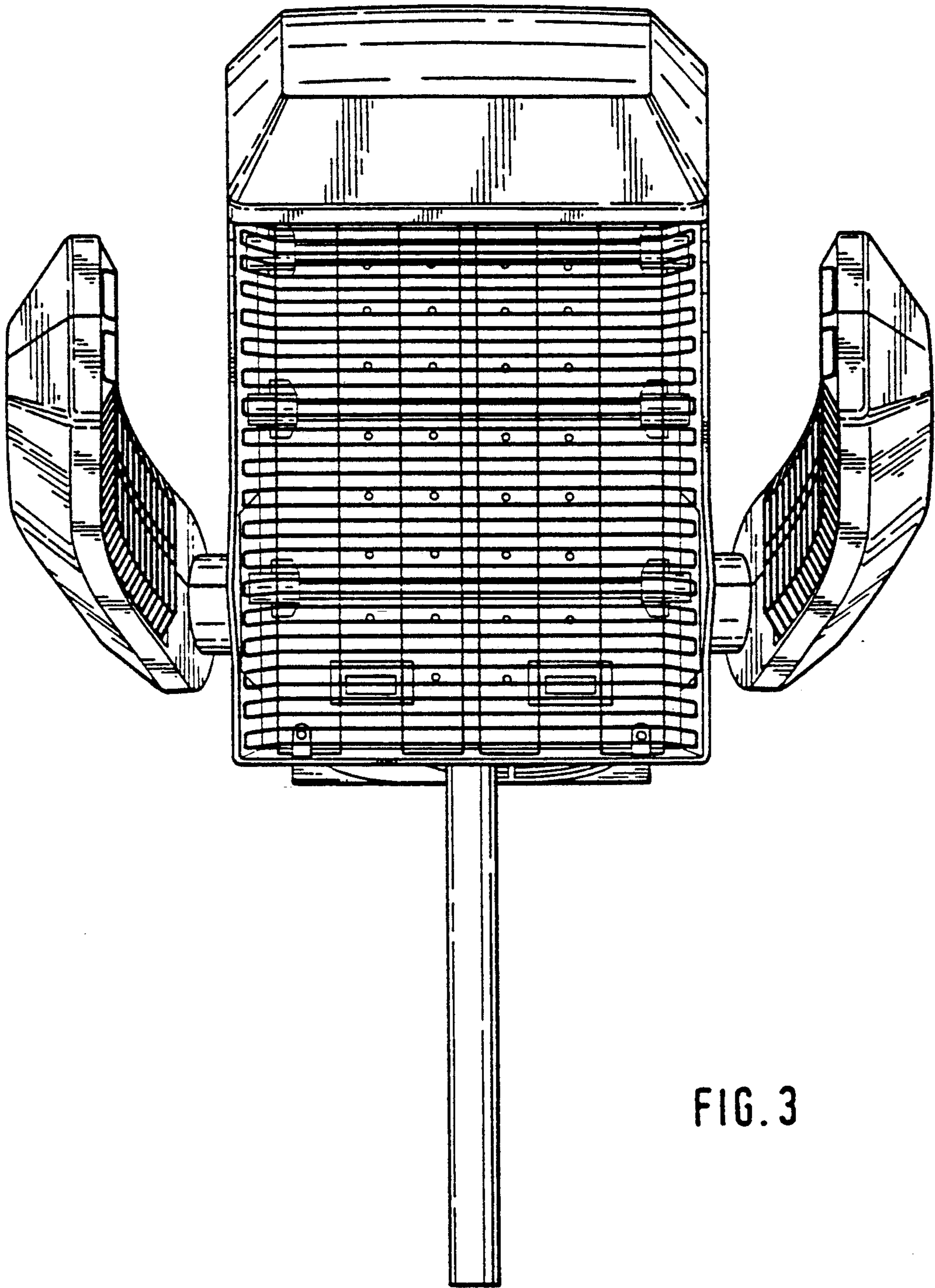


FIG. 3

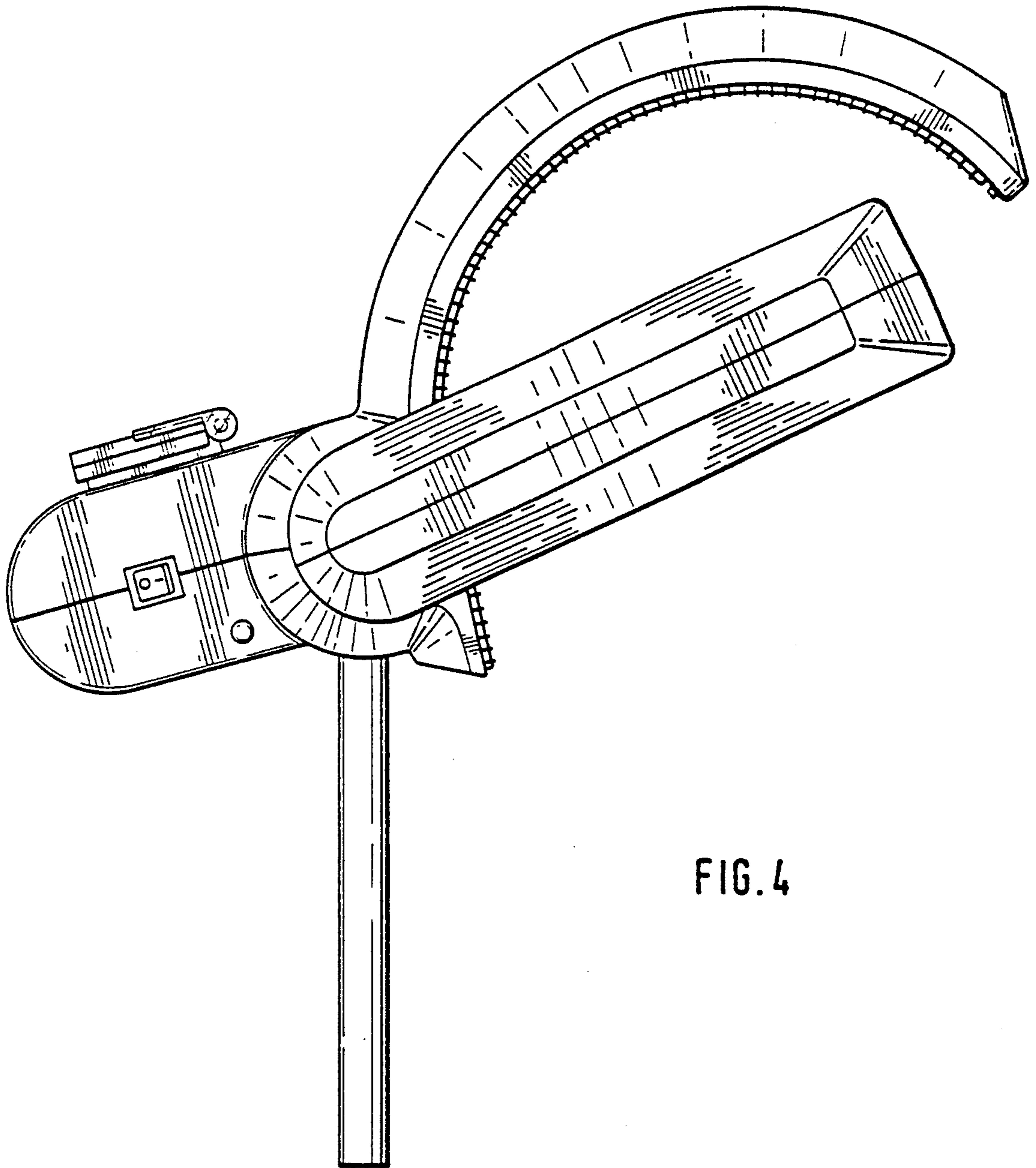
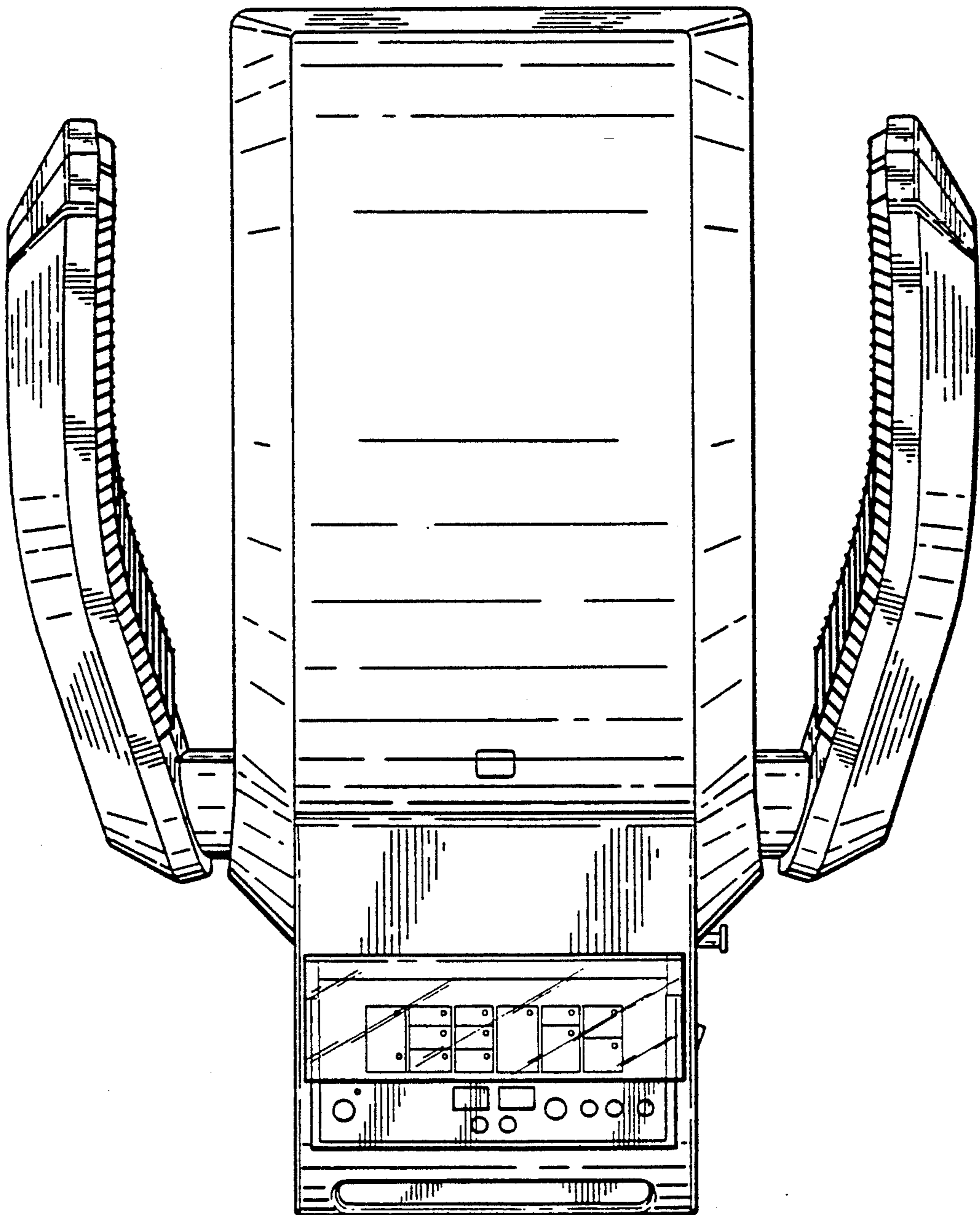


FIG. 4

FIG. 5



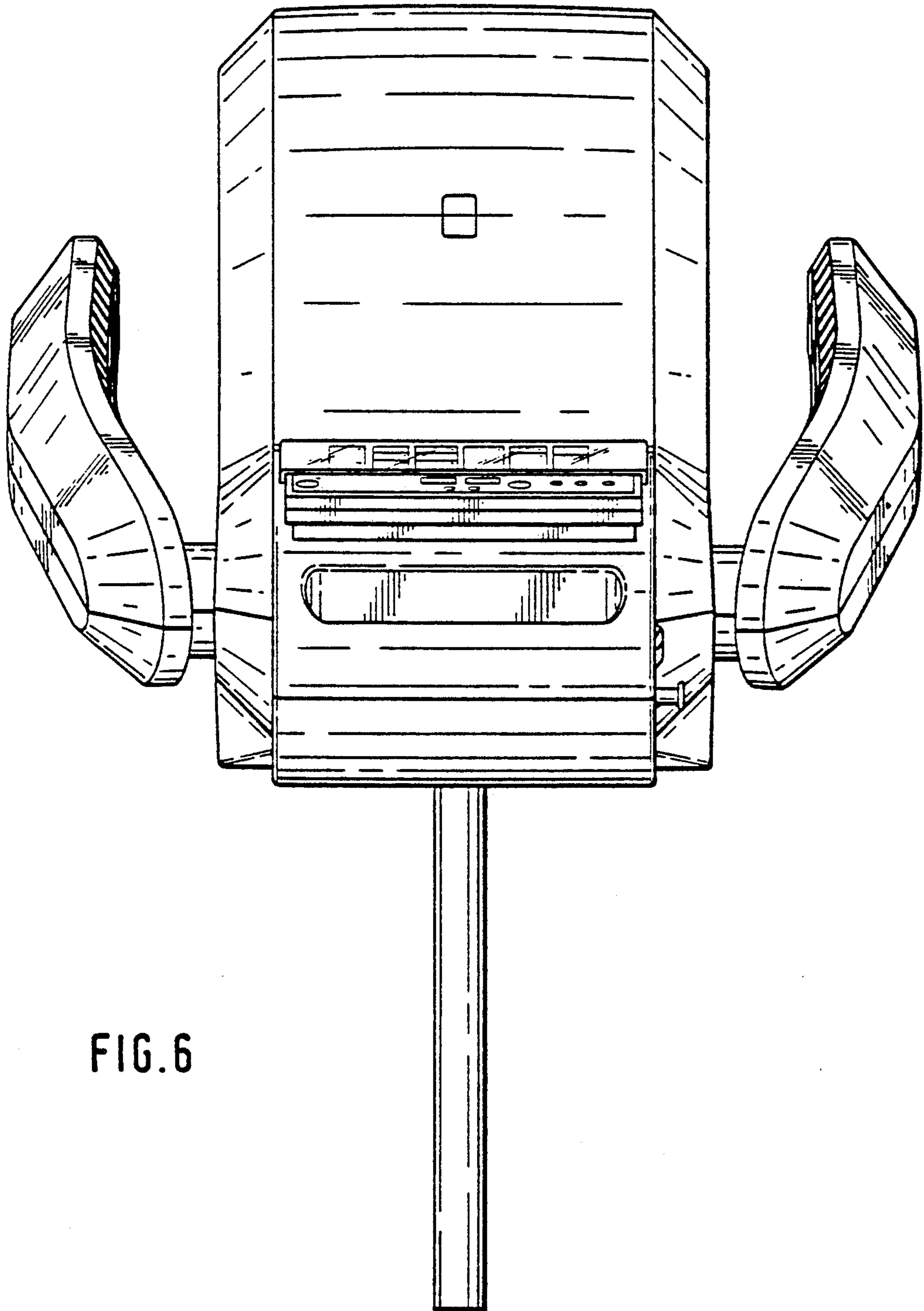


FIG. 6

FIG. 7

