

[54] LUMINAIRE
[75] Inventors: James S. Hughes, Columbus; Robert L. Ewing, Granville; Herbert A. Fouke; Bonnie J. Brohard, both of Newark, all of Ohio

D. 268,876 5/1983 Leithauser, Jr. D26/72
D. 269,639 7/1983 Eargle, Jr. et al. D26/88
D. 294,976 3/1988 Ewing D26/85
2,220,298 11/1940 Stair et al. 362/408 X
4,286,313 8/1981 Quioque 362/404 X

Primary Examiner—Susan J. Lucas

[73] Assignee: Holophane Company, Inc., Newark, Ohio

[57] CLAIM

[**] Term: 14 Years

The ornamental design for a luminaire, as shown and described.

[21] Appl. No.: 101,477

DESCRIPTION

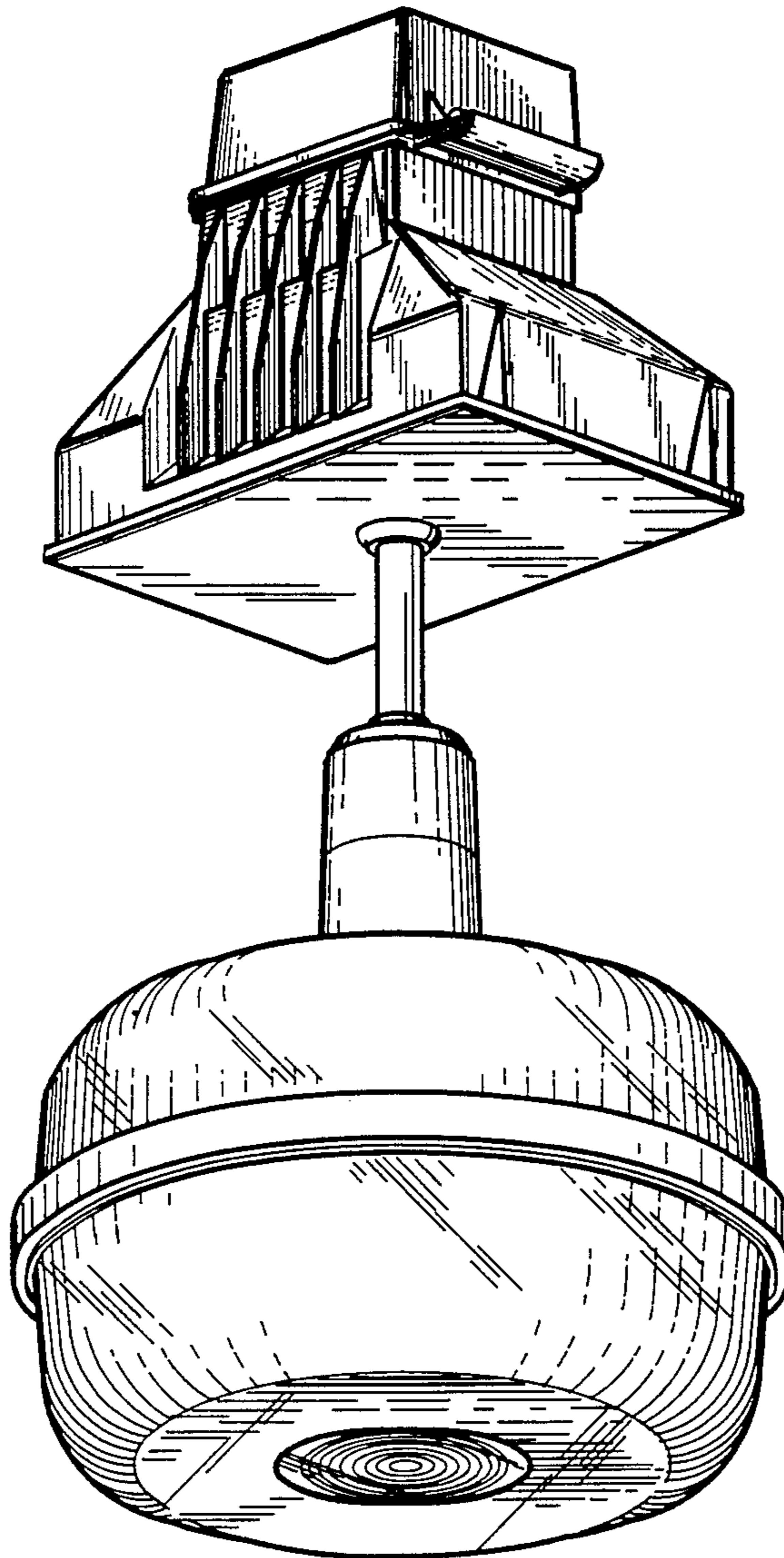
[22] Filed: Sep. 28, 1987
[52] U.S. Cl. D26/85
[58] Field of Search D26/72, 80-92;
362/362, 363, 404-408, 432, 147

FIG. 1 is a top, front, left hand side perspective view of a luminaire showing our new design;
FIG. 2 is a bottom, rear, right hand side perspective view thereof;
FIG. 3 is a top, rear, right hand perspective view thereof;
FIG. 4 is a front elevational view thereof;
FIG. 5 is a left side elevational view thereof.

[56] References Cited

U.S. PATENT DOCUMENTS

D. 240,320 6/1976 Anderson, Jr. D26/85



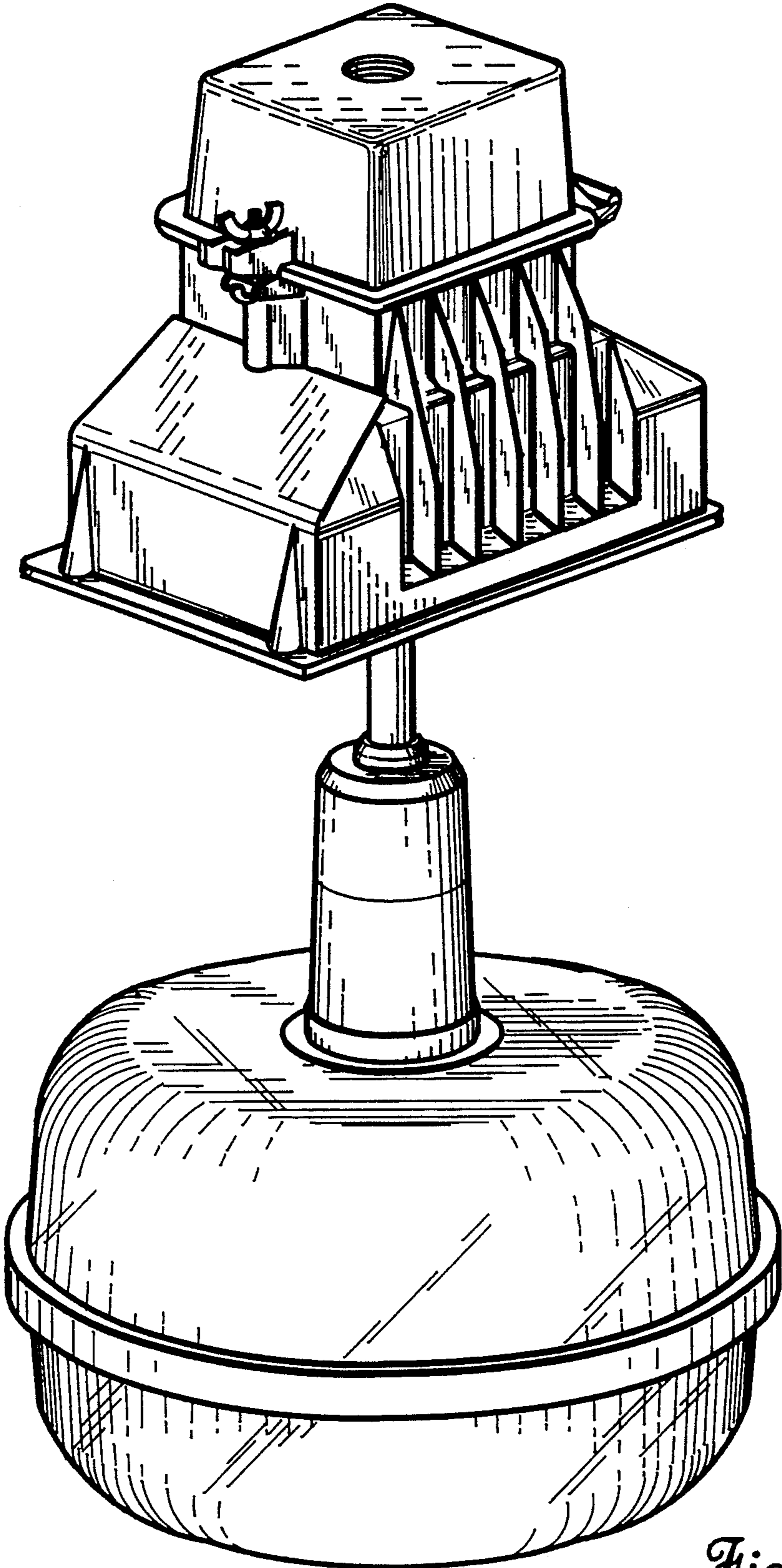


Fig. 1

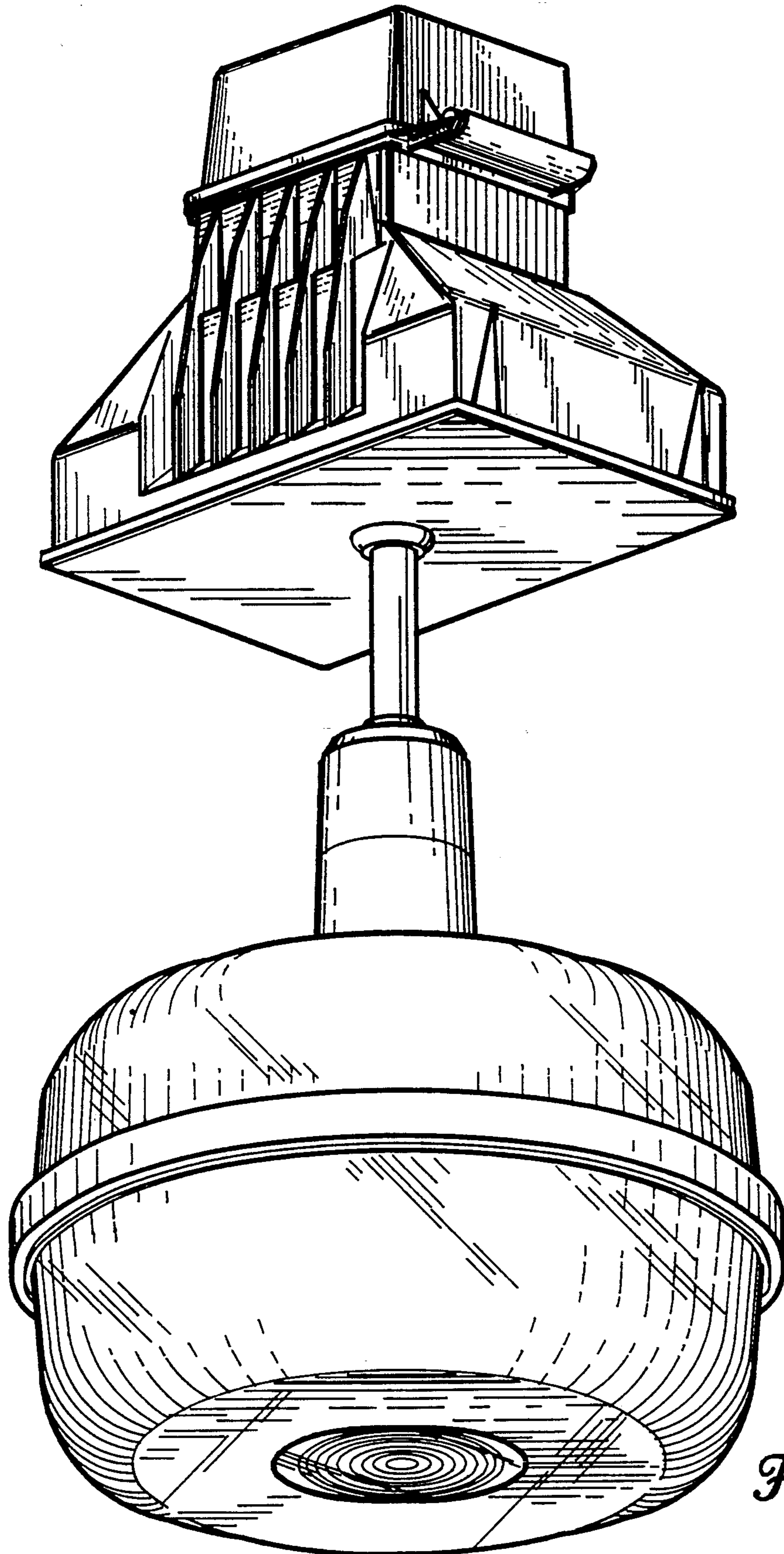


Fig. 2

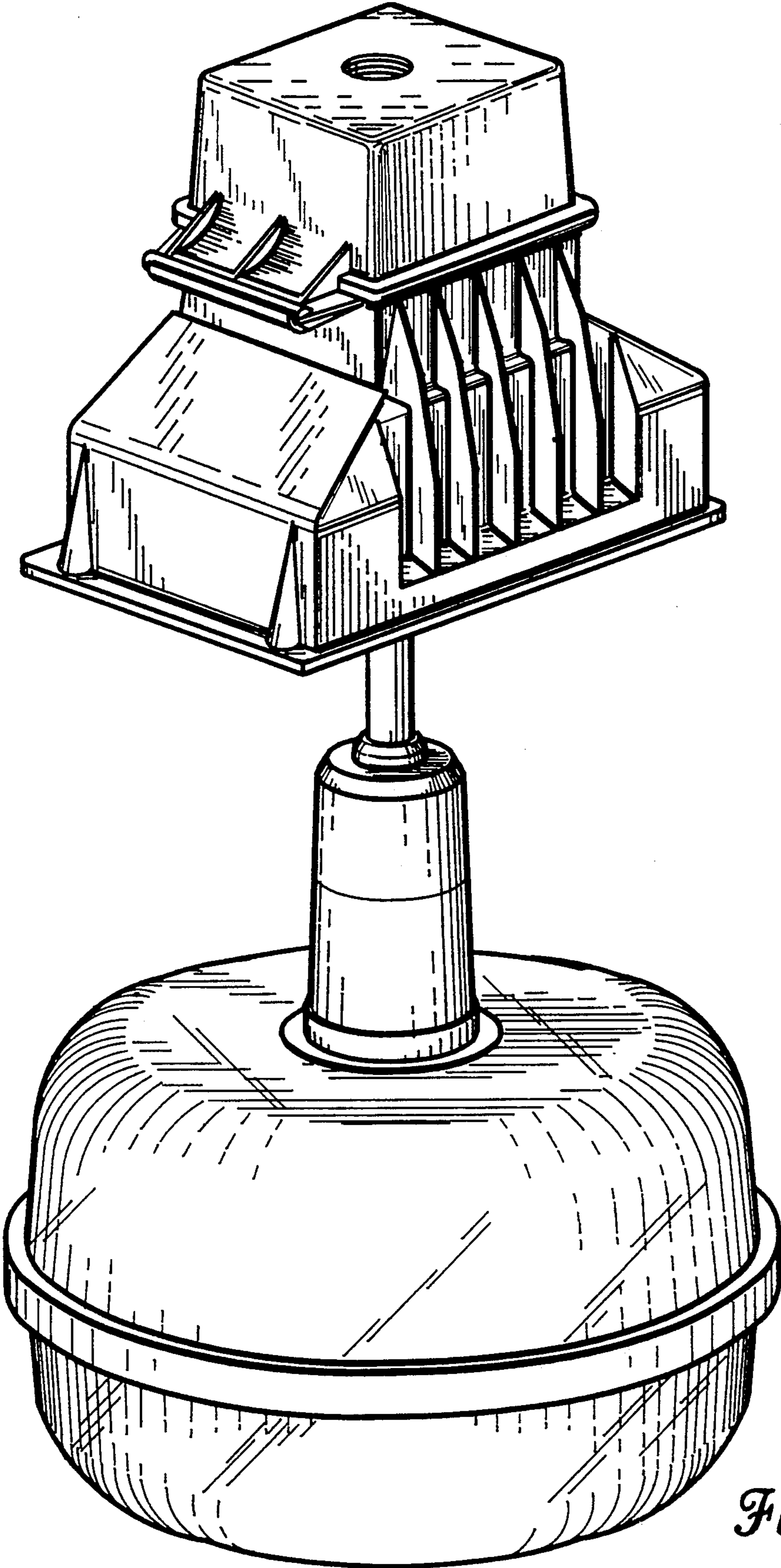


Fig. 3

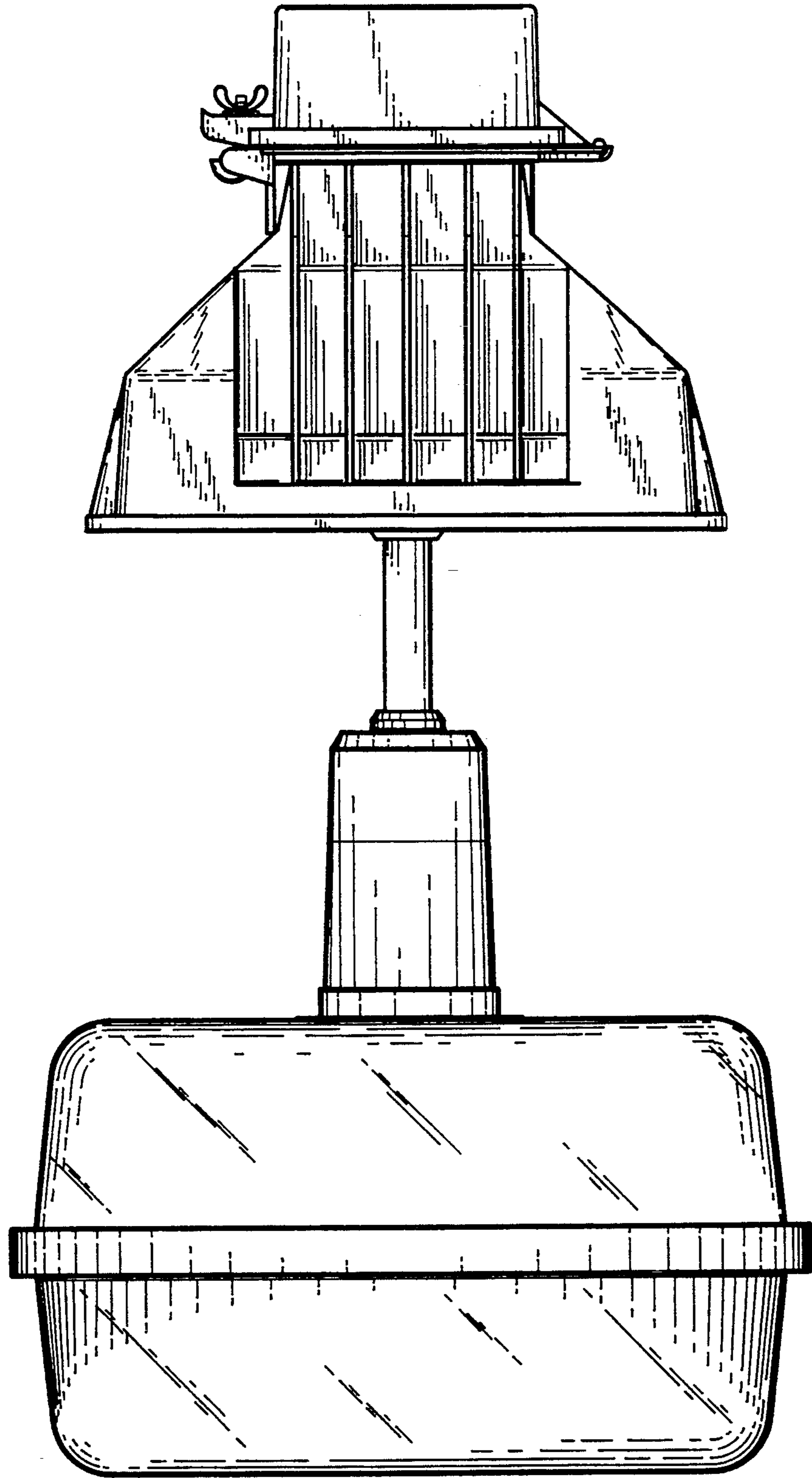


Fig. 4

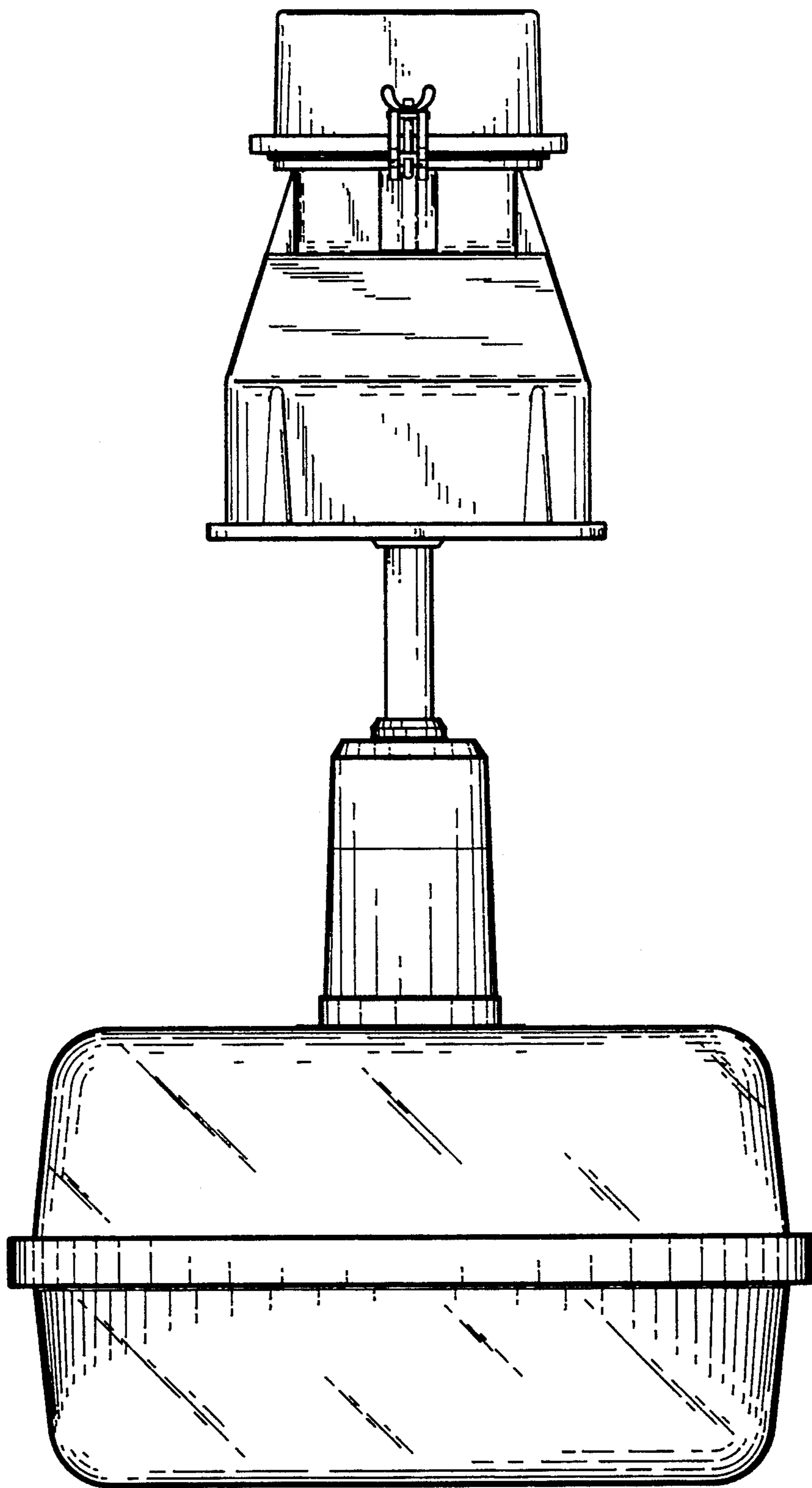


Fig. 5