

[54] ADJUSTABLE LAMP

[75] Inventor: Haim Shwisha, Westport, Conn.

[73] Assignee: Electrix, Inc., New Haven, Conn.

[**] Term: 14 Years

[21] Appl. No.: 413,047

[22] Filed: Sep. 27, 1989

[52] U.S. Cl. D26/65

[58] Field of Search D26/93, 102-112,
D26/60-66; 362/410-414, 418; 401/419;
402/427, 269, 275, 287

[56] References Cited

U.S. PATENT DOCUMENTS

D. 314,836 2/1991 Sonneman D26/108

OTHER PUBLICATIONS

ControLuce Lamp Catalog, 1984, p. 2 "Crick" Adjustable Lamp.

Murry Feiss Import Corp. "Litechips" Catalog, 1988, p. 5, Desk Lamp #DSK 99.

Sonneman Lamp Catalog, 1973, p. 42, Lamp (Tak).

Primary Examiner—Susan J. Lucas

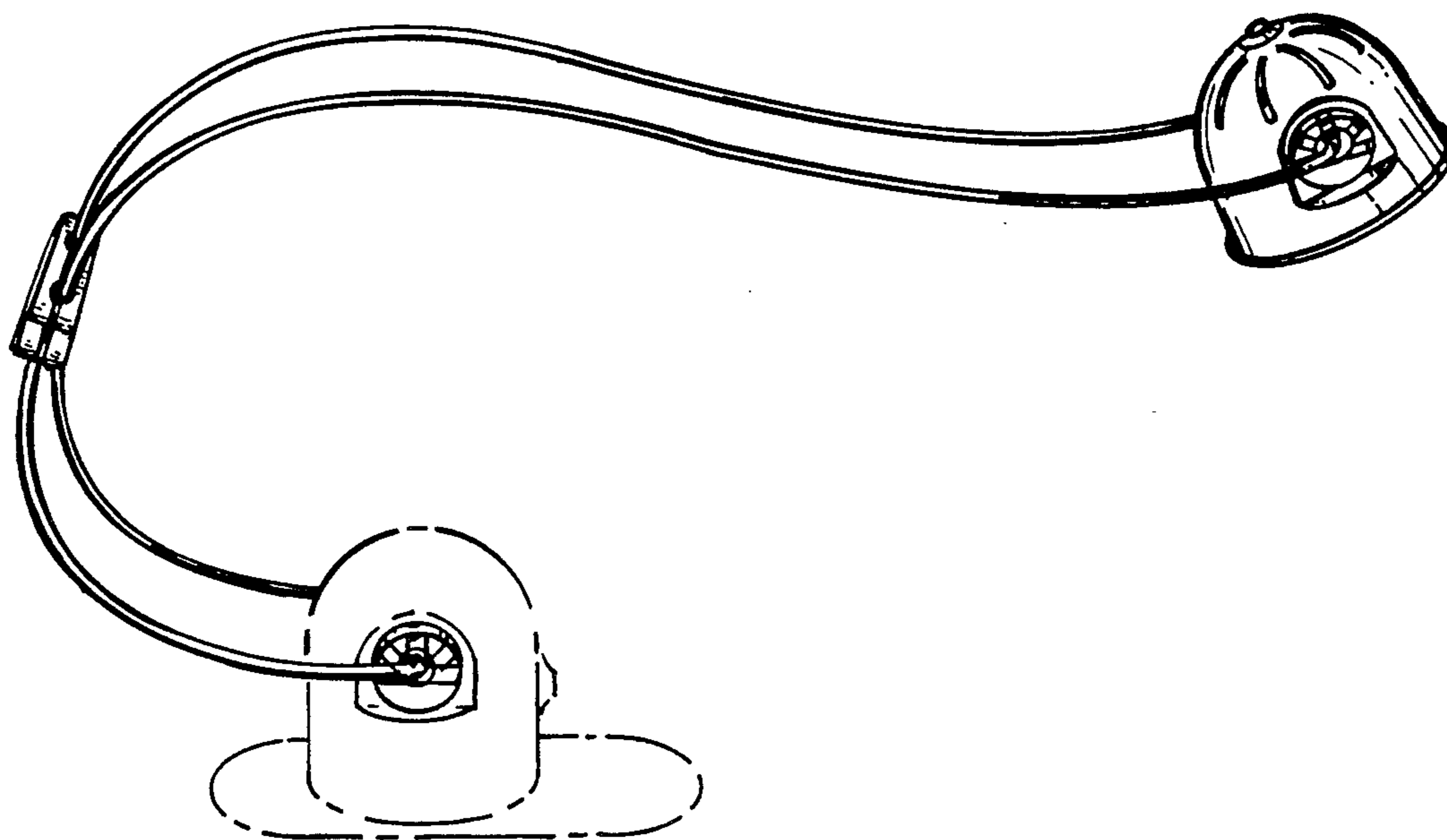
Attorney, Agent, or Firm—Bachman & LaPointe

[57] CLAIM

The ornamental design for an adjustable lamp, as shown and described.

DESCRIPTION

FIG. 1 is a perspective view of an adjustable lamp showing my new design, with the base being shown in broken lines for illustrative purposes only; FIG. 2 is a front elevational view thereof; FIG. 3 is a rear elevational view thereof; FIG. 4 is a side elevational view thereof; FIG. 5 is a bottom plan view thereof; and FIG. 6 is a top plan view thereof.



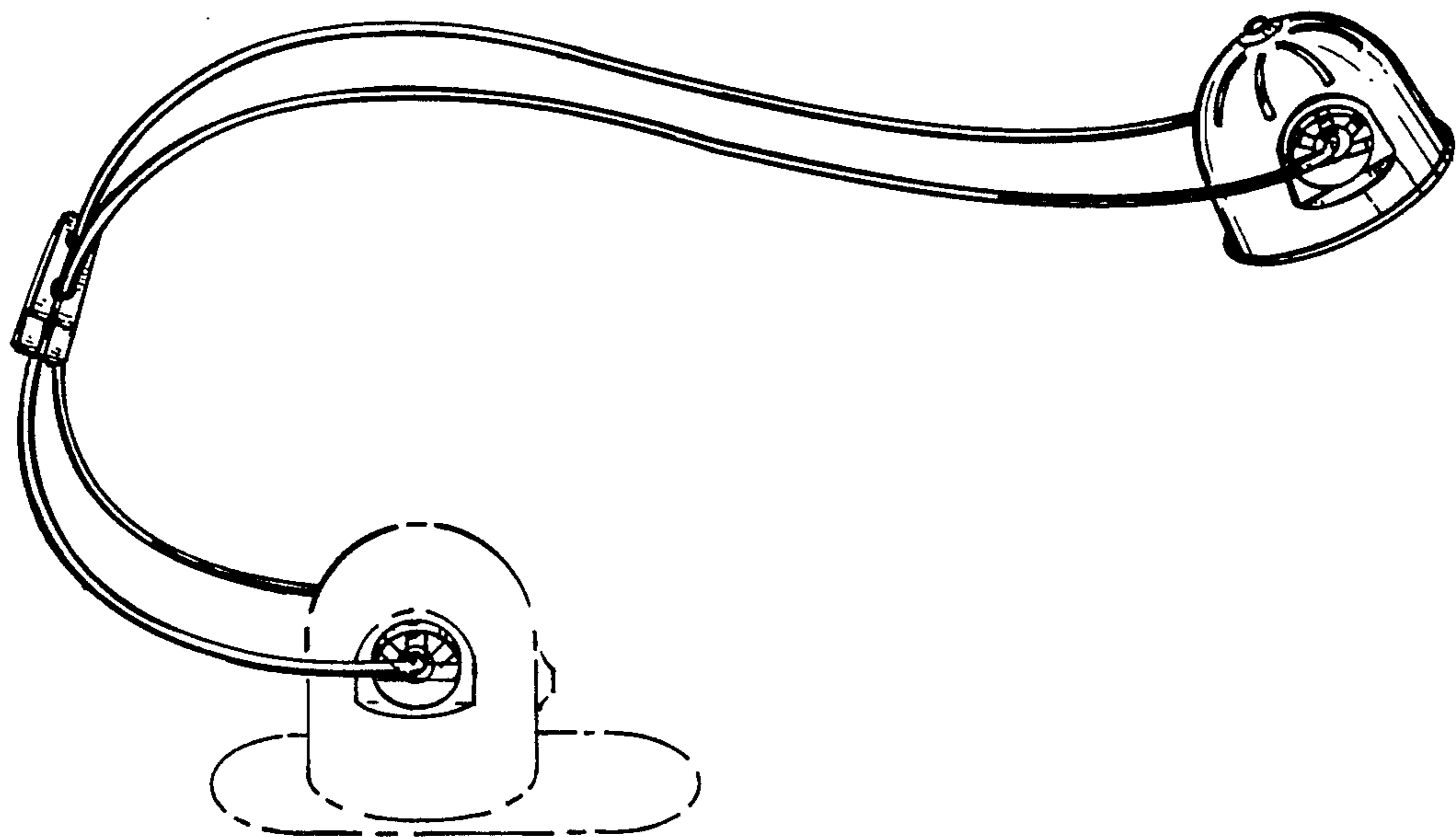


FIG-1

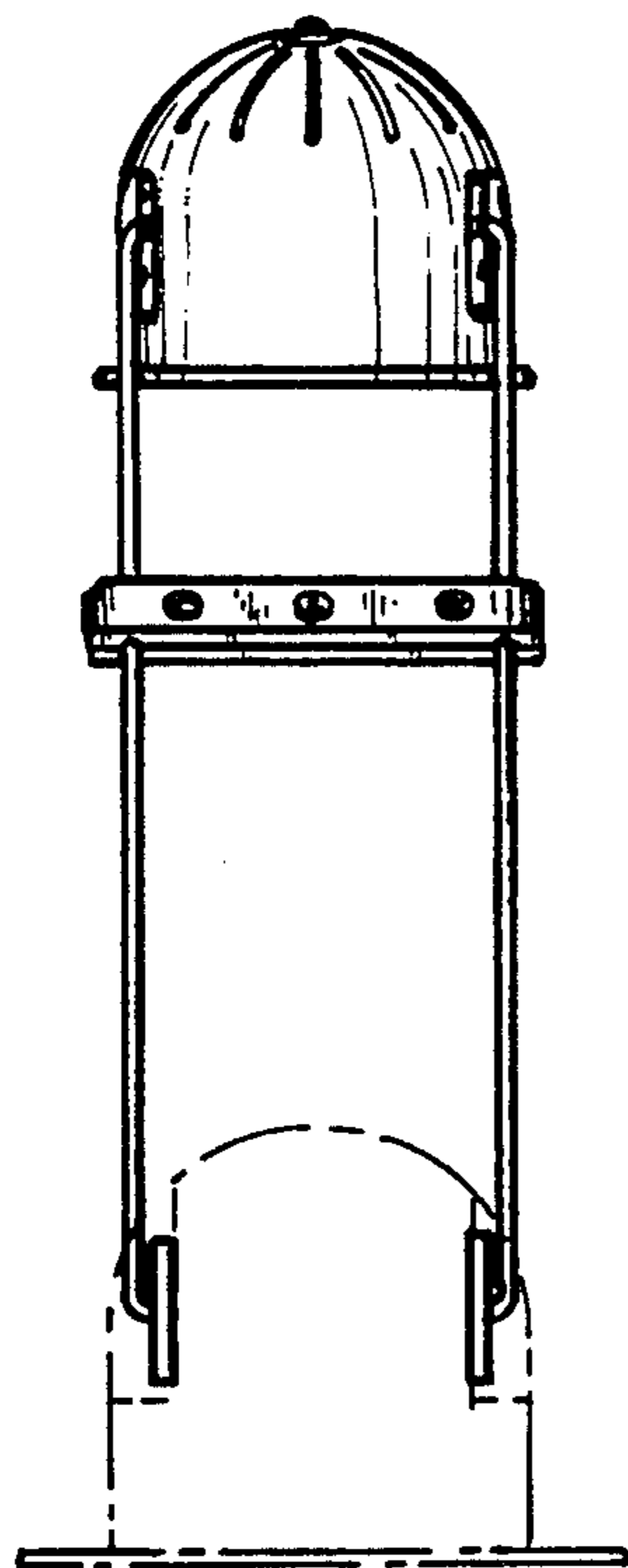


FIG-3

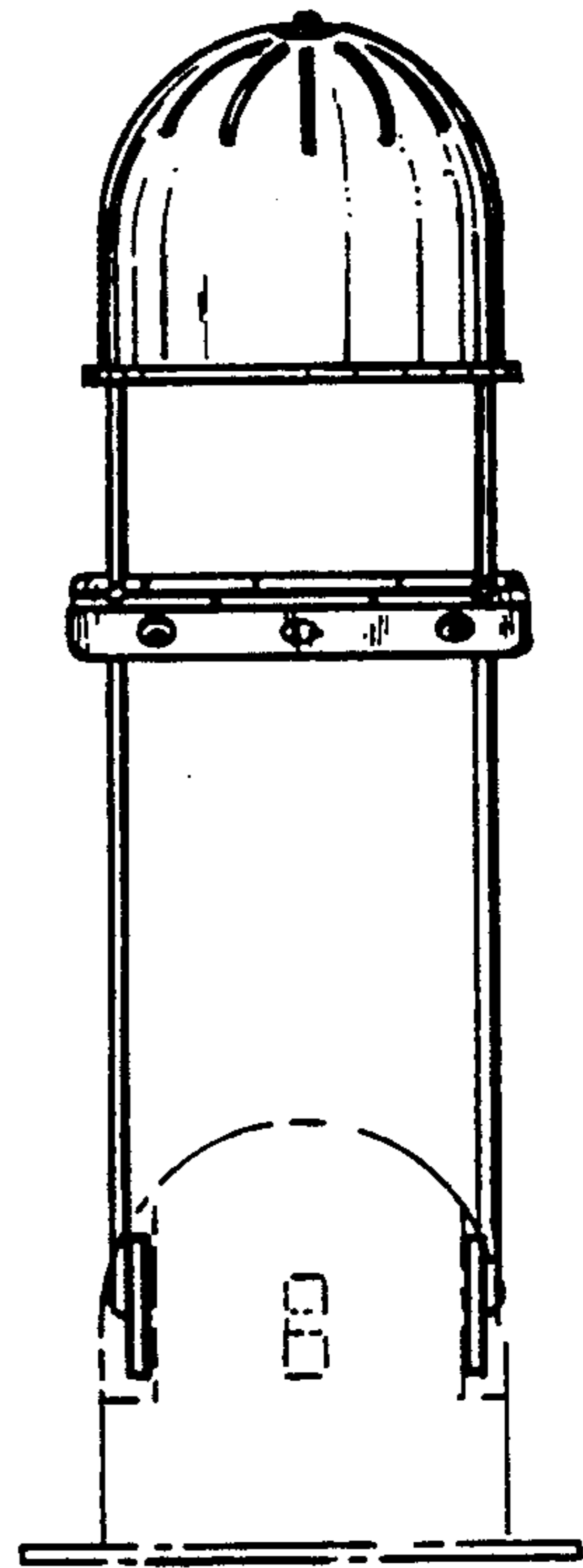


FIG-2

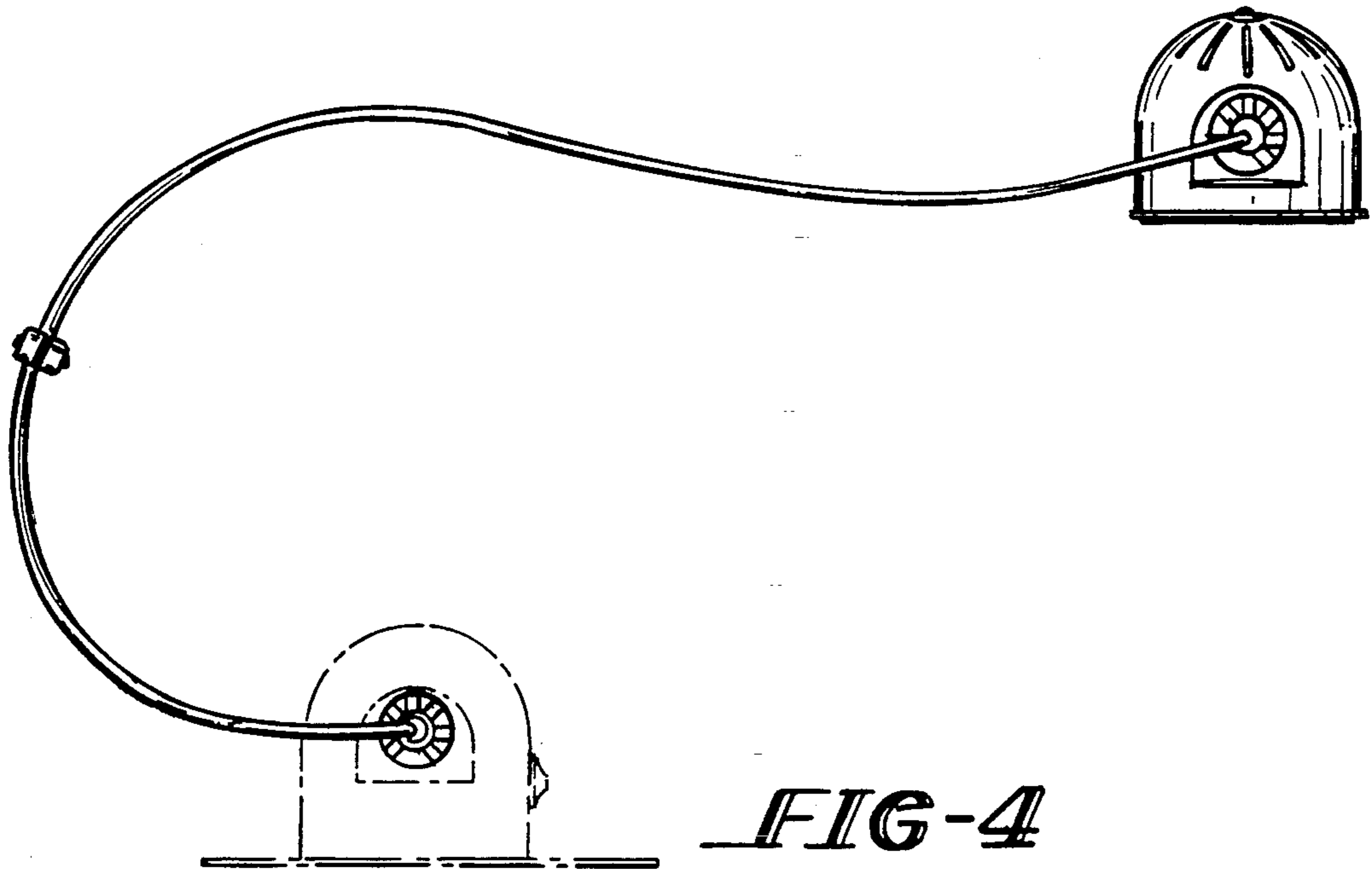


FIG-4

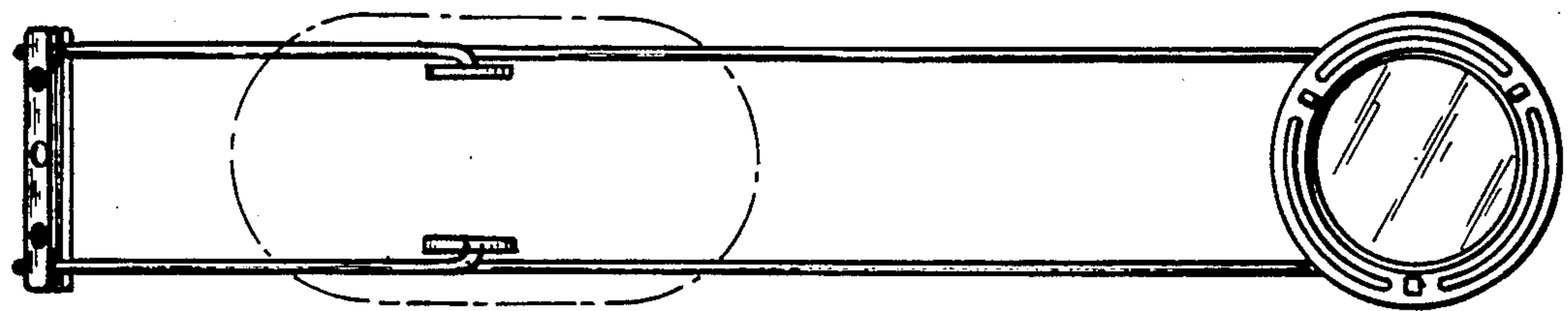


FIG-5

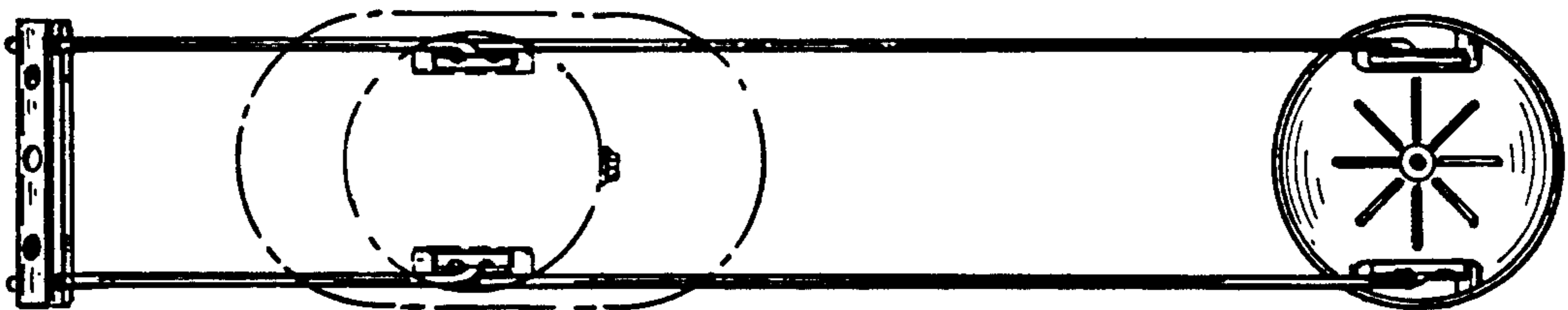


FIG-6