

[54] PERIODONTAL PROBE

[75] Inventors: **Ralph A. Beckman; Henry D. Sharpe, III**, both of Providence; **Len Curado**, East Greenwich; **James W. Barfoot**, Providence, all of R.I.

[73] Assignee: **Bausch & Lomb Professional Dental Products, Inc.**, Rochester, N.Y.

[\*\*] Term: **14 Years**

[21] Appl. No.: **506,706**

[22] Filed: **Apr. 9, 1990**

**Related U.S. Application Data**

[63] Continuation of Ser. No. 315,131, Feb. 24, 1989, Pat. No. 4,995,403.

[52] U.S. Cl. .... **D24/140; D24/147; D24/152**

[58] Field of Search ..... **D24/10-16; 433/141-144, 145, 146, 147-153, 33, 72, 115, 118, 120, 124; 128/774, 776-777, 739-740**

[56] **References Cited**

**U.S. PATENT DOCUMENTS**

- D. 234,257 2/1975 Berger ..... D24/10
- 3,559,292 2/1971 Weissman ..... 433/141 X
- 4,501,555 2/1985 Ditchburn ..... 433/72 X

- 4,698,019 10/1987 Martin ..... 433/144
- 4,764,114 8/1988 Jeffcoat et al. .... 128/776 X
- 4,791,940 12/1988 Huschfeld et al. .... 128/777 X

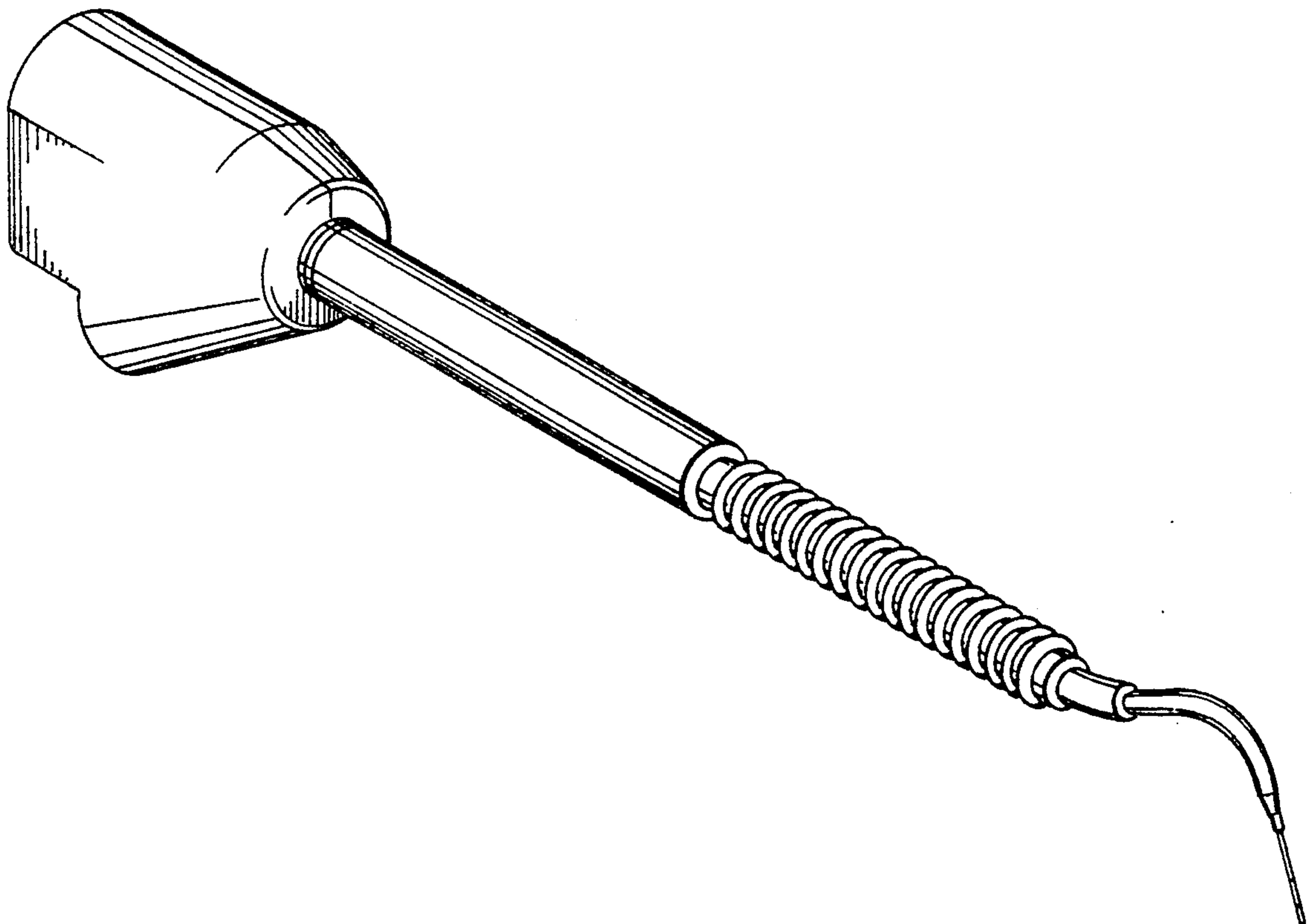
*Primary Examiner*—Susan J. Lucas  
*Assistant Examiner*—M. H. Tung  
*Attorney, Agent, or Firm*—Salter & Michaelson

[57] **CLAIM**

The ornamental design for a periodontal probe, as shown and described.

**DESCRIPTION**

FIG. 1 is a perspective view of a periodontal probe showing our new design;  
 FIG. 2 is a side elevational view thereof, the other side being a mirror image;  
 FIG. 3 is a top plan view thereof;  
 FIG. 4 is a bottom plan view thereof;  
 FIG. 5 is a rear elevational view thereof;  
 FIG. 6 is a front elevational view thereof;  
 FIG. 7 is a perspective view of a second embodiment thereof;  
 FIG. 8 is a side elevational view thereof, the other side being a mirror image;  
 FIG. 9 is a top plan view thereof;  
 FIG. 10 is a bottom plan view thereof;  
 FIG. 11 is a rear elevational view thereof;  
 FIG. 12 is a front elevational view thereof.



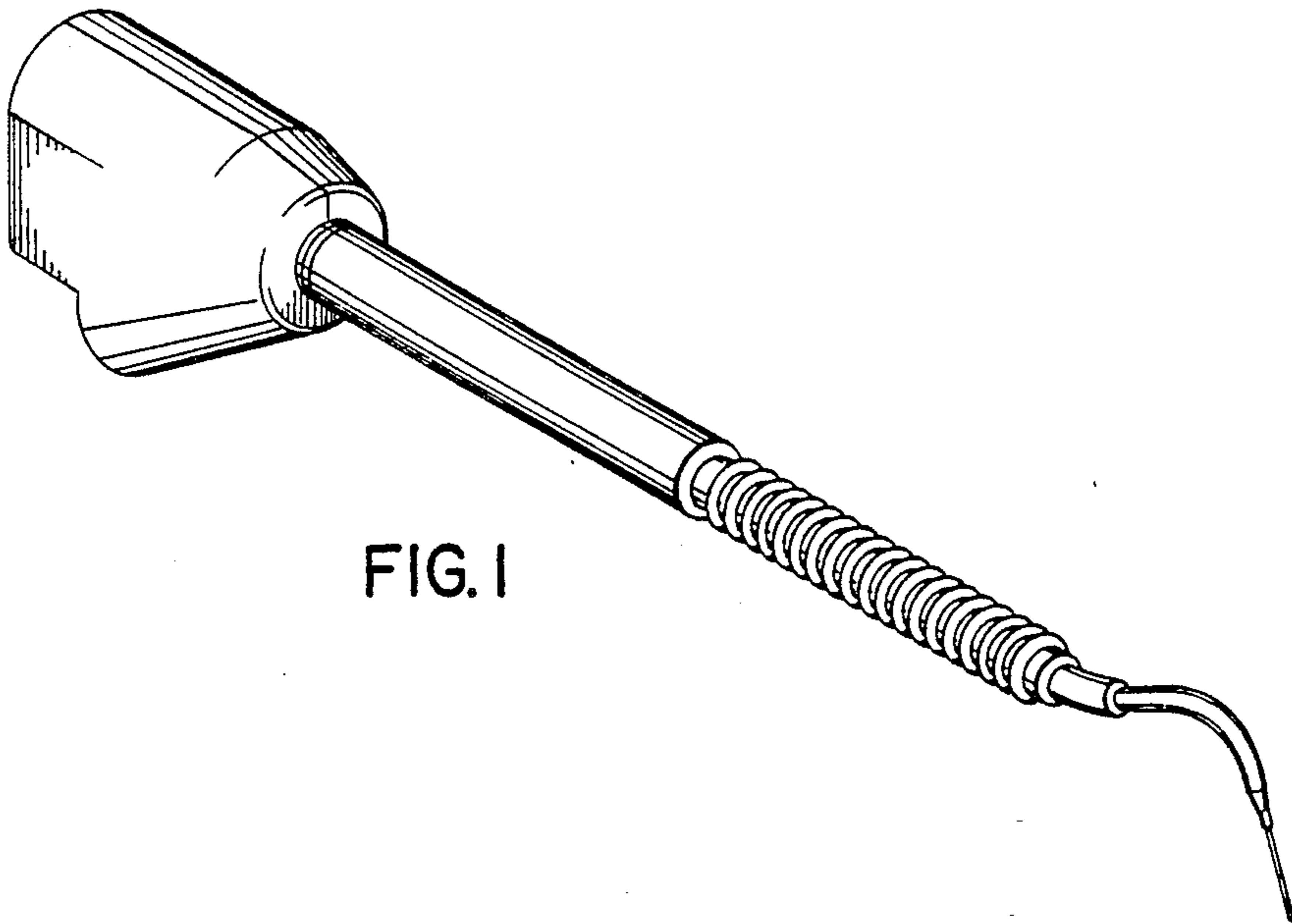


FIG. 1

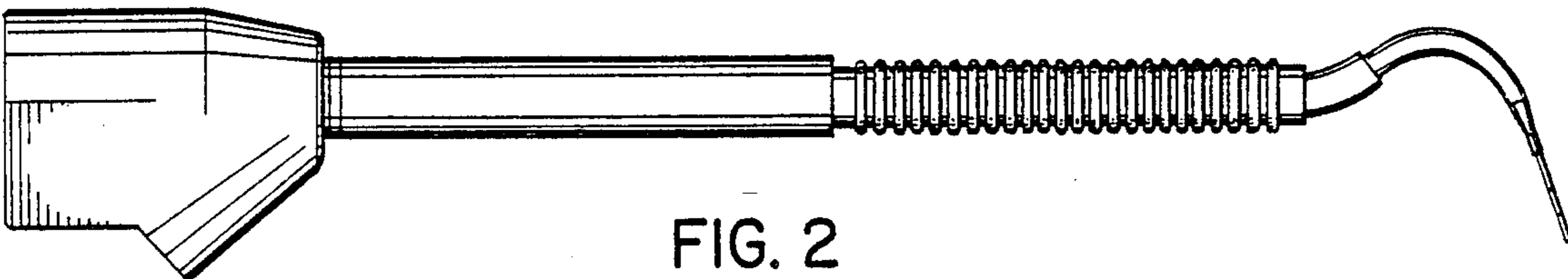


FIG. 2

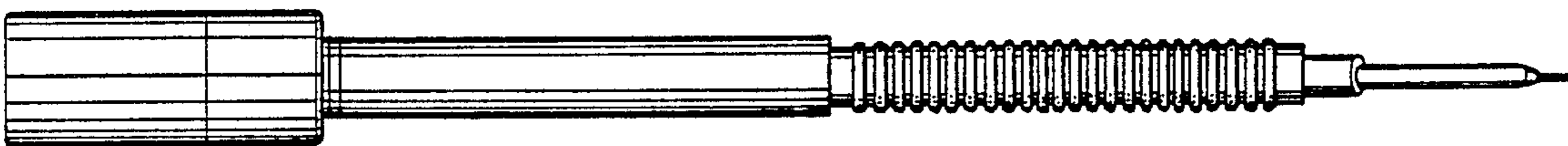


FIG. 3

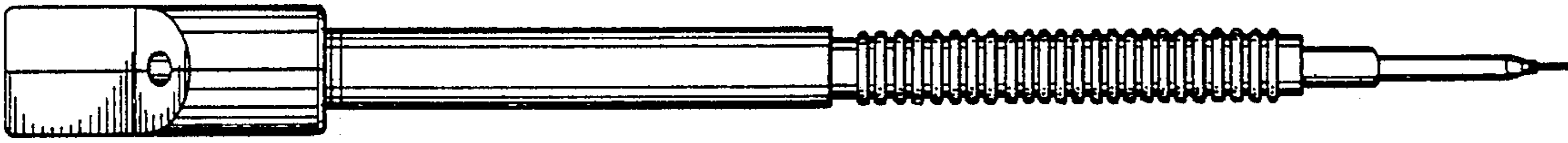


FIG. 4

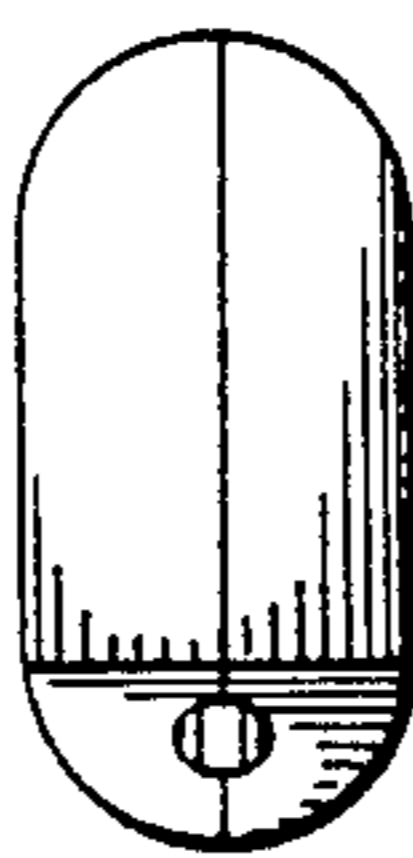


FIG. 5



FIG. 6

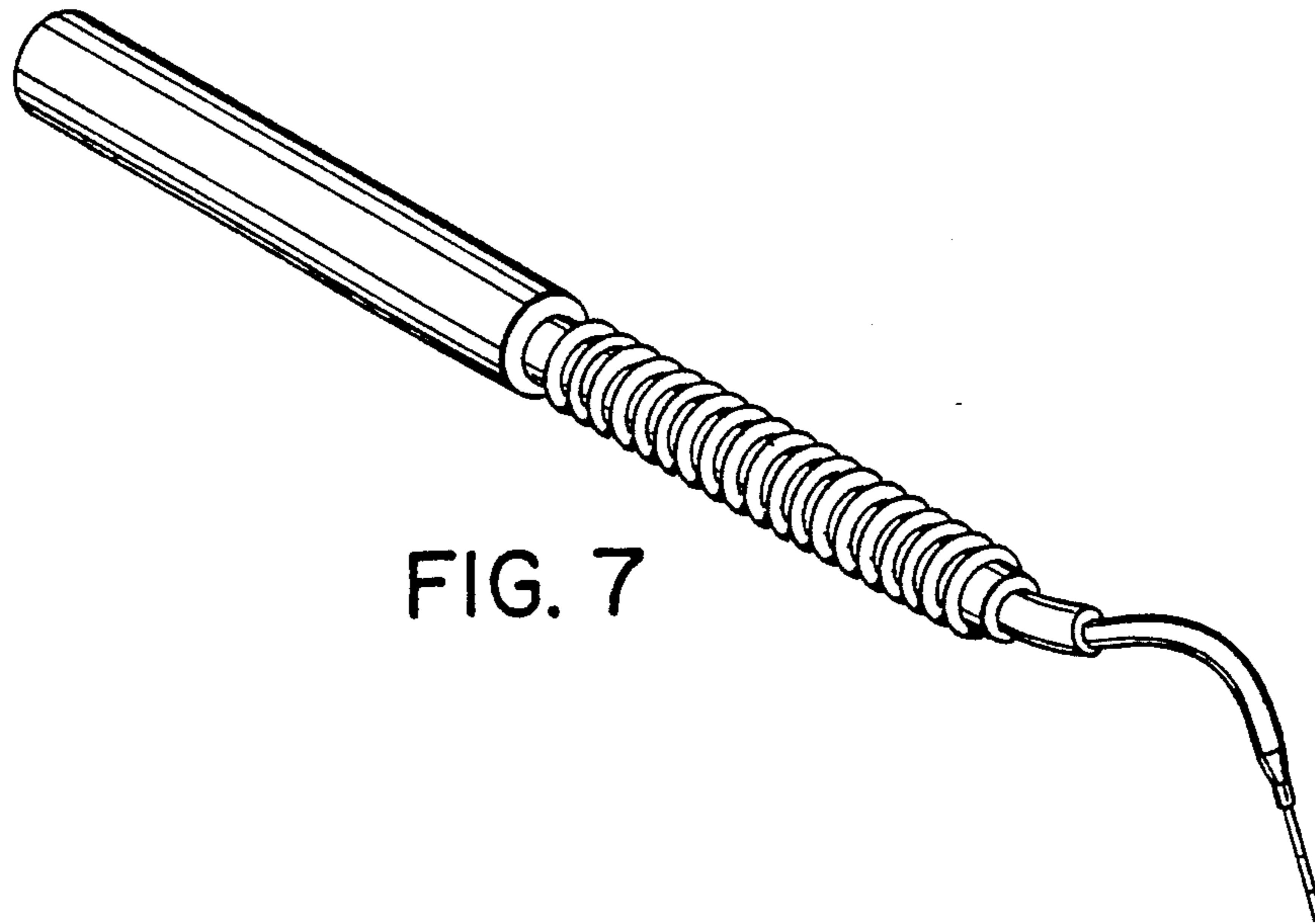


FIG. 7

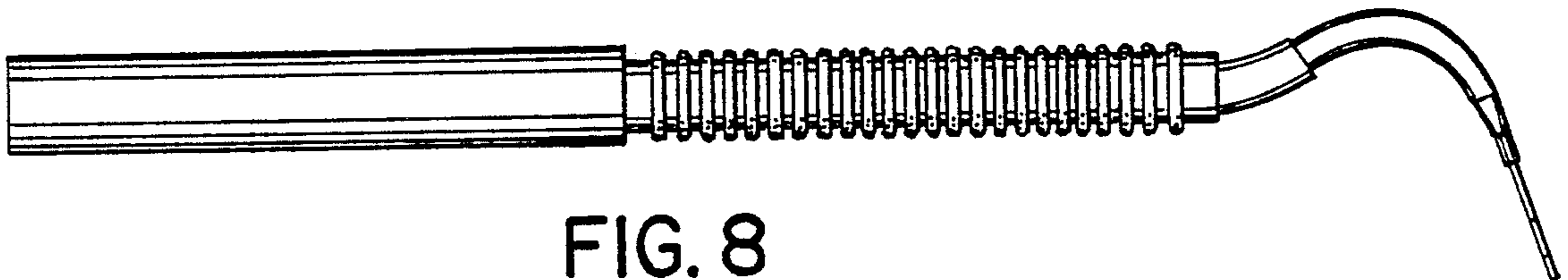


FIG. 8



FIG. 9



FIG. 10



FIG. 11



FIG. 12