

[54] BATH TUB

D. 286,671 11/1986 Griffiths D23/277
D. 295,309 4/1988 Burgess et al. D23/281

[75] Inventors: Joseph Primucci; Vello Hubel;
Alexander M. Gardiner, all of
Toronto, Canada

Primary Examiner—Susan J. Lucas

[73] Assignee: Mirolin Industries Inc., Toronto,
Canada

[57] CLAIM

The ornamental design for a bath tub, as shown.

[**] Term: 14 Years

DESCRIPTION

[21] Appl. No.: 359,434

FIG. 1 is a perspective view of a bath tub showing our
new design as seen from the top and one end;

[22] Filed: May 31, 1989

FIG. 2 is a perspective view thereof as seen from the
top and opposite end and in the opposite azimuth direc-
tion to FIG. 1;

[52] U.S. Cl. D23/277

FIG. 3 is a top plan view thereof;

[58] Field of Search D23/270-283,
D23/303-307; 4/513, 538-544, 546, 555, 559,
571-579, 584, 589, 590; D24/204, 205

FIG. 4 is an end elevational view thereof as seen from
the right hand end of FIG. 3;

[56] References Cited

U.S. PATENT DOCUMENTS

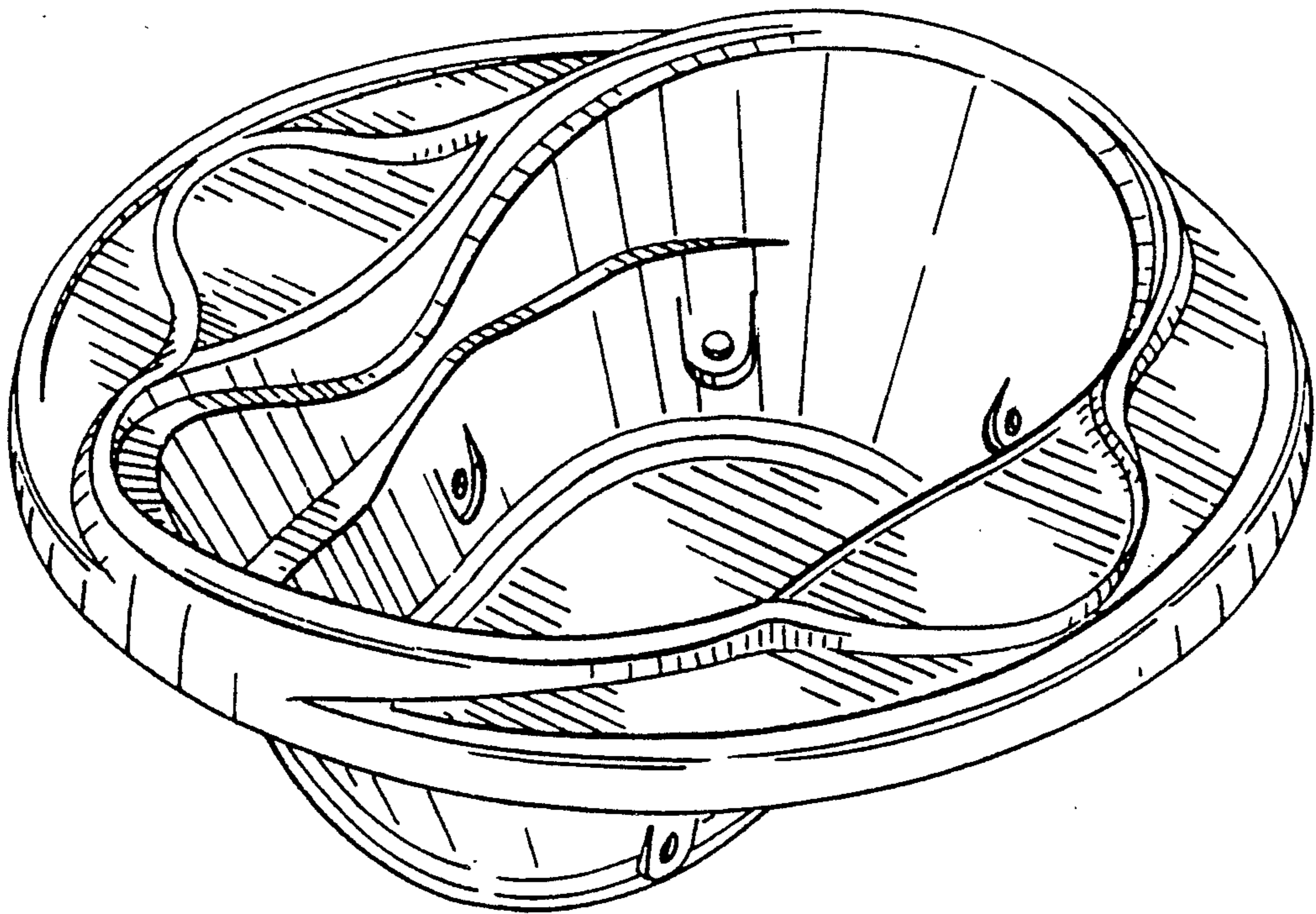
D. 265,582 7/1982 Kohler, Jr. D23/281
D. 275,597 9/1984 Lax D24/205
D. 278,741 5/1985 Kaiser D23/277

FIG. 5 is a side elevational view thereof as seen from
the top of FIG. 3;

FIG. 6 is a an end elevational view thereof as seen from
the left hand end of FIG. 3;

FIG. 7 is a side elevational view thereof as seen from
the bottom of FIG. 3;

FIG. 8 is a bottom plan view thereof.



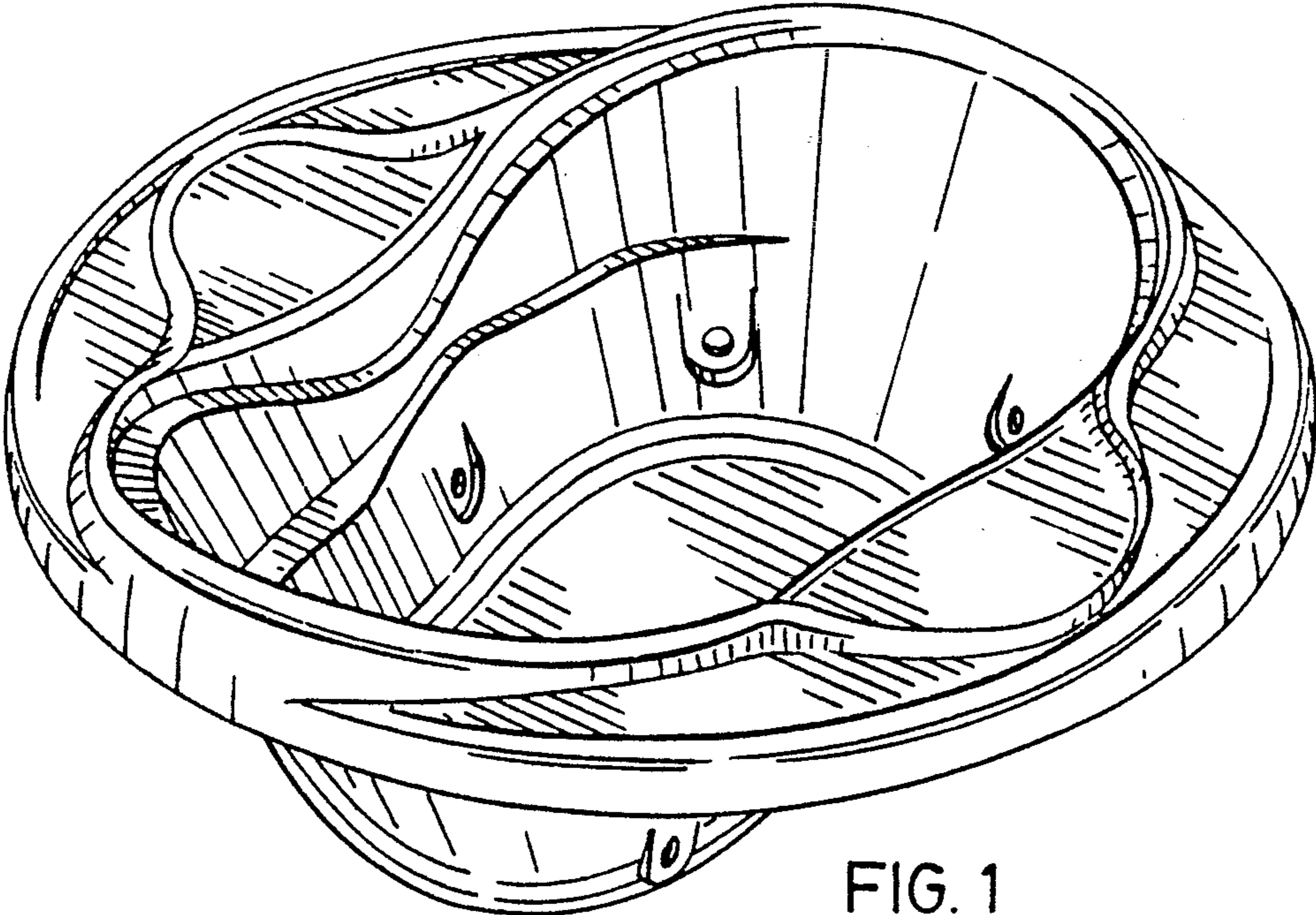


FIG. 1

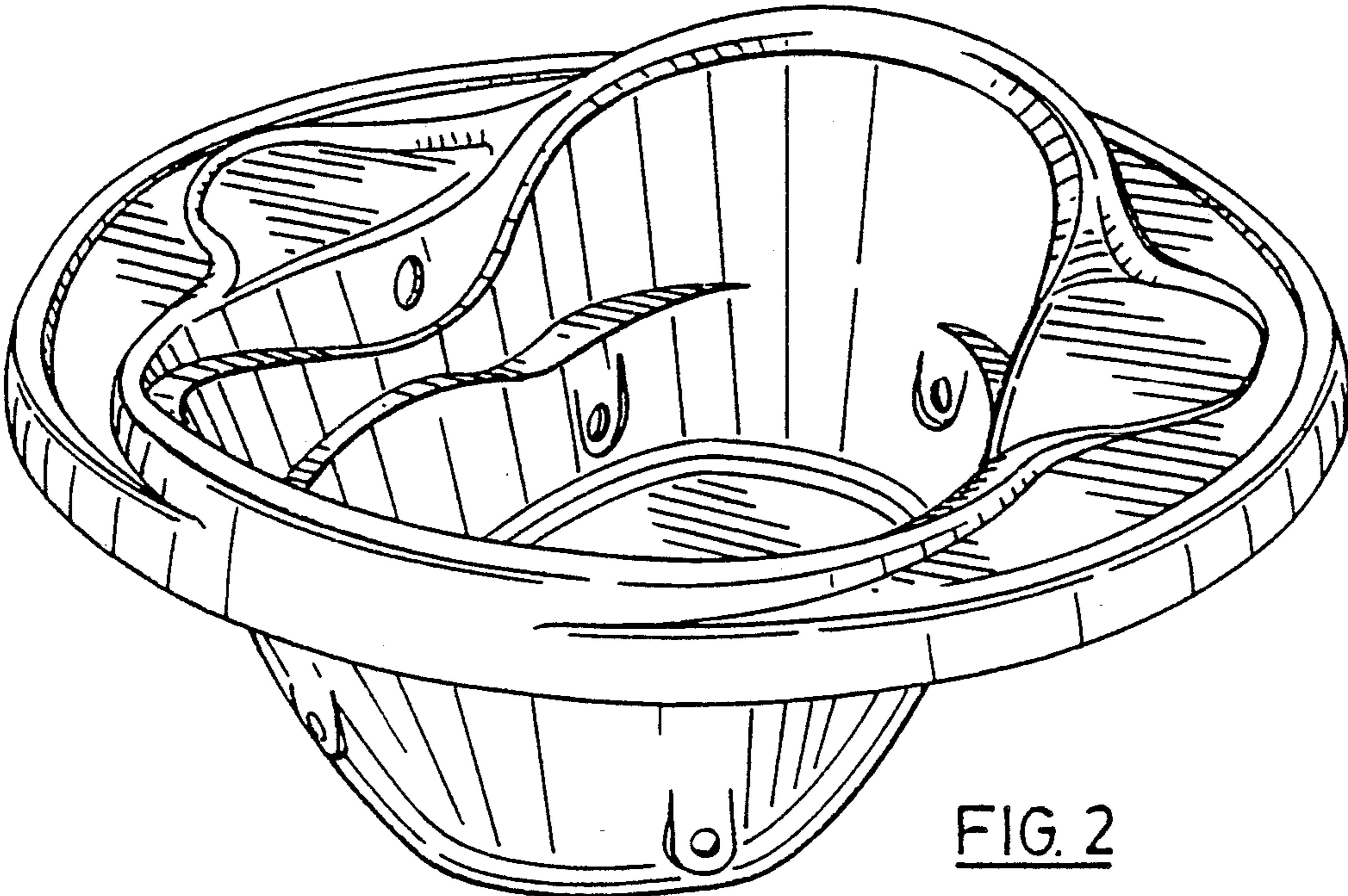


FIG. 2

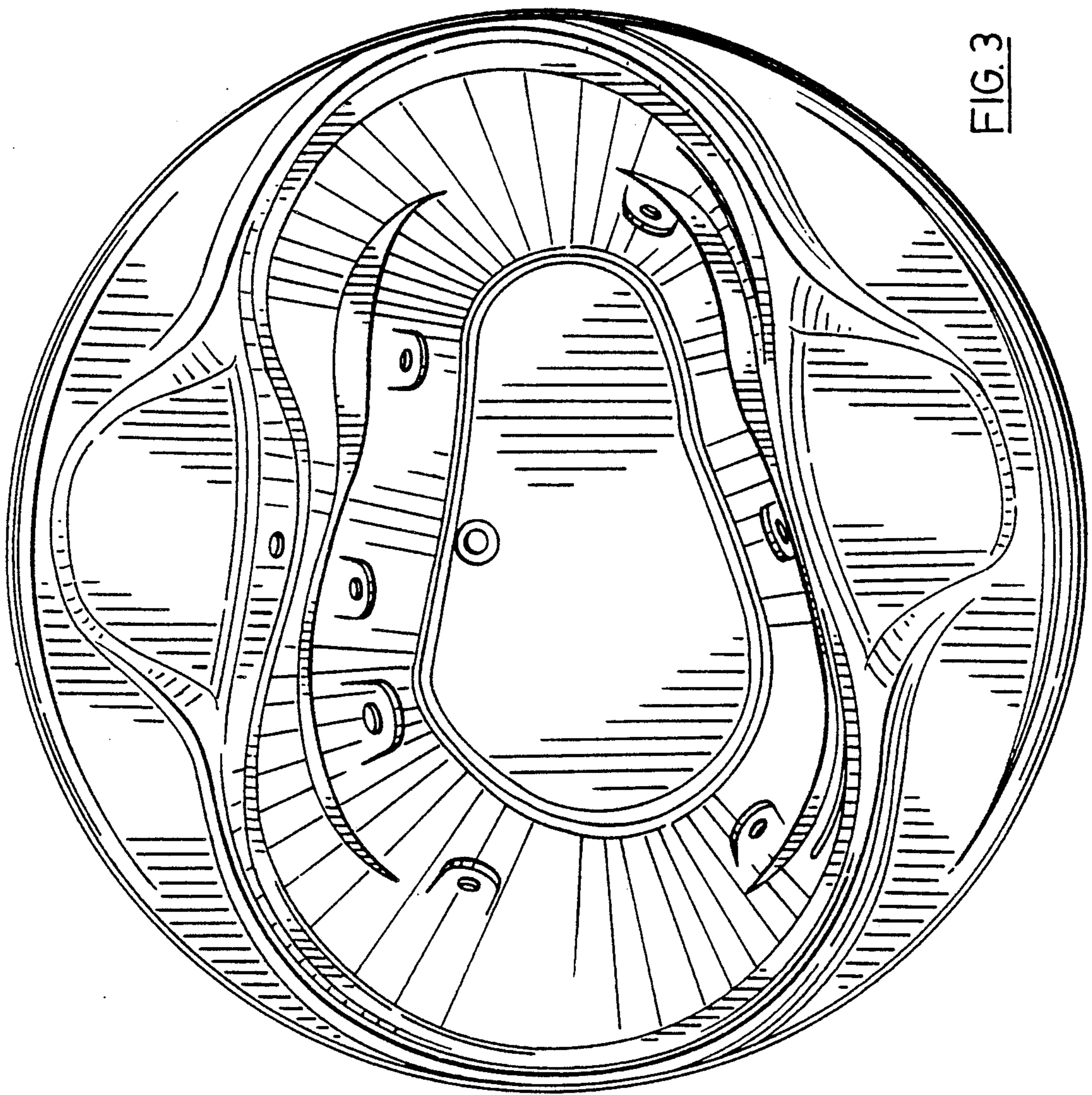
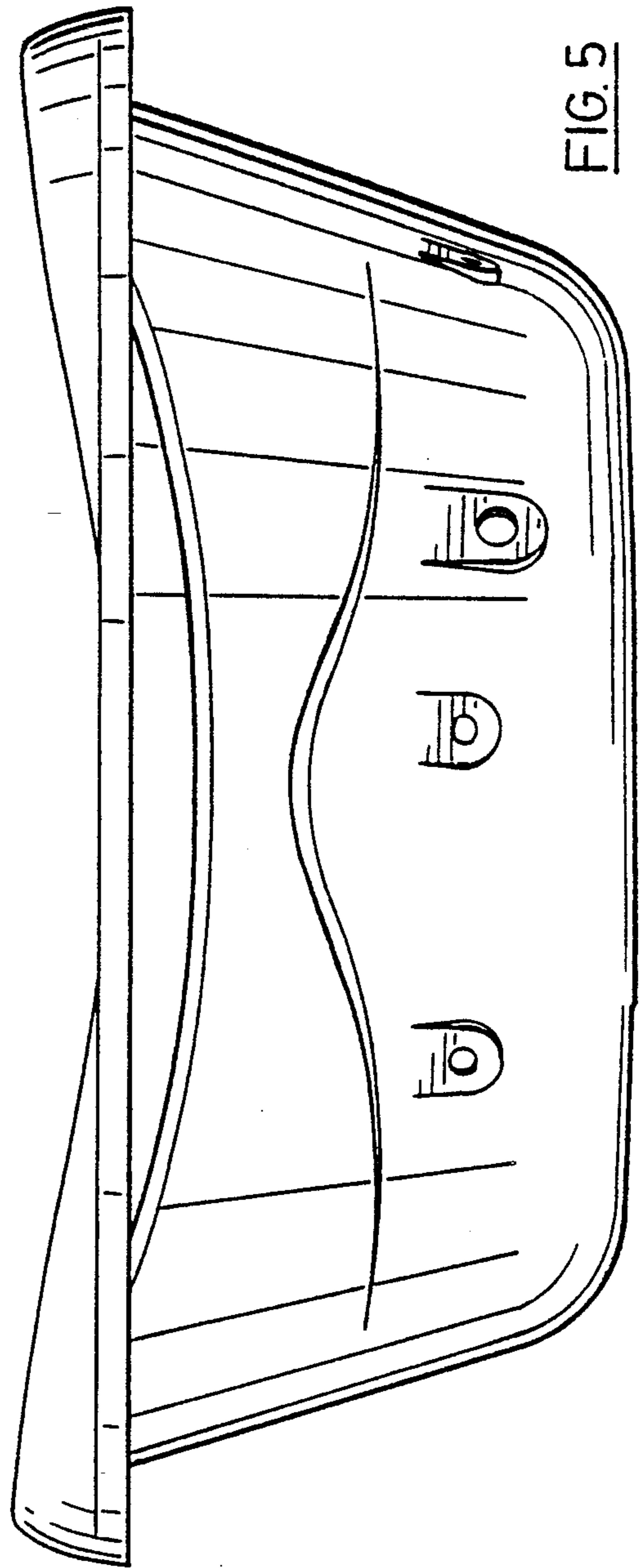
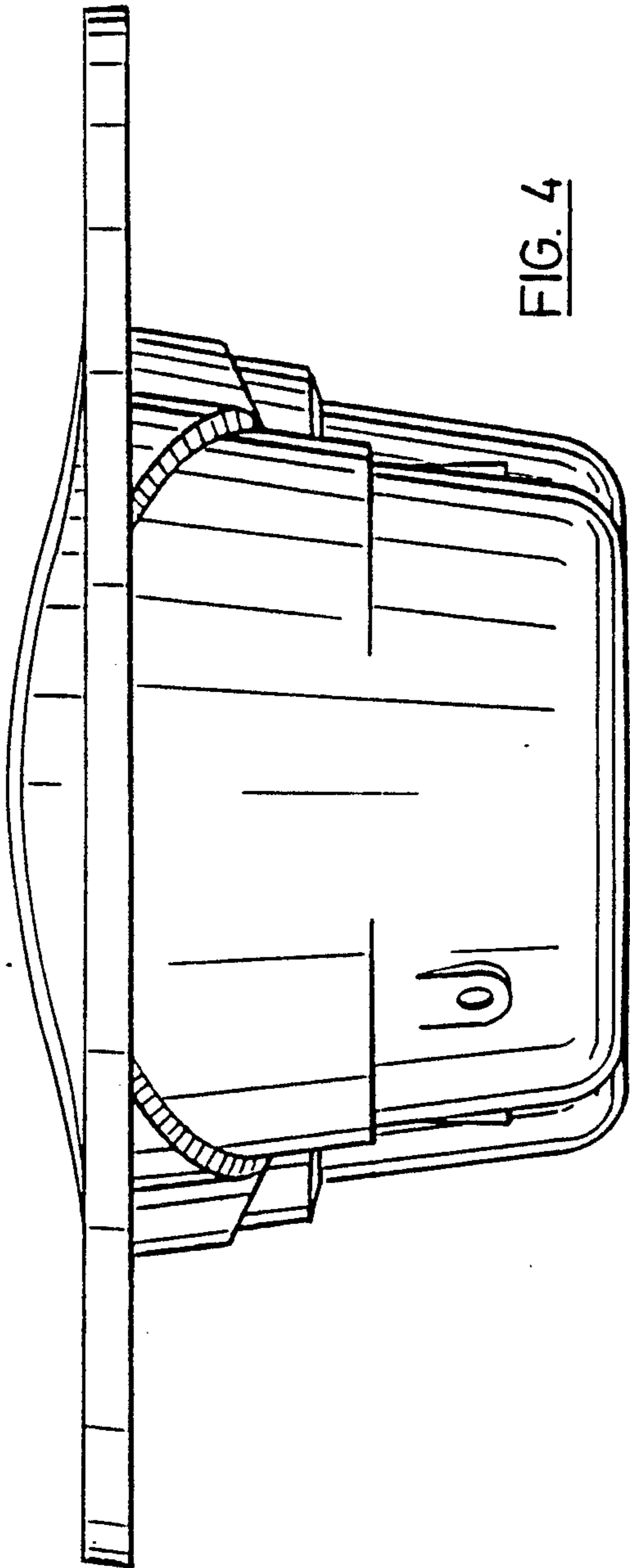


FIG. 3



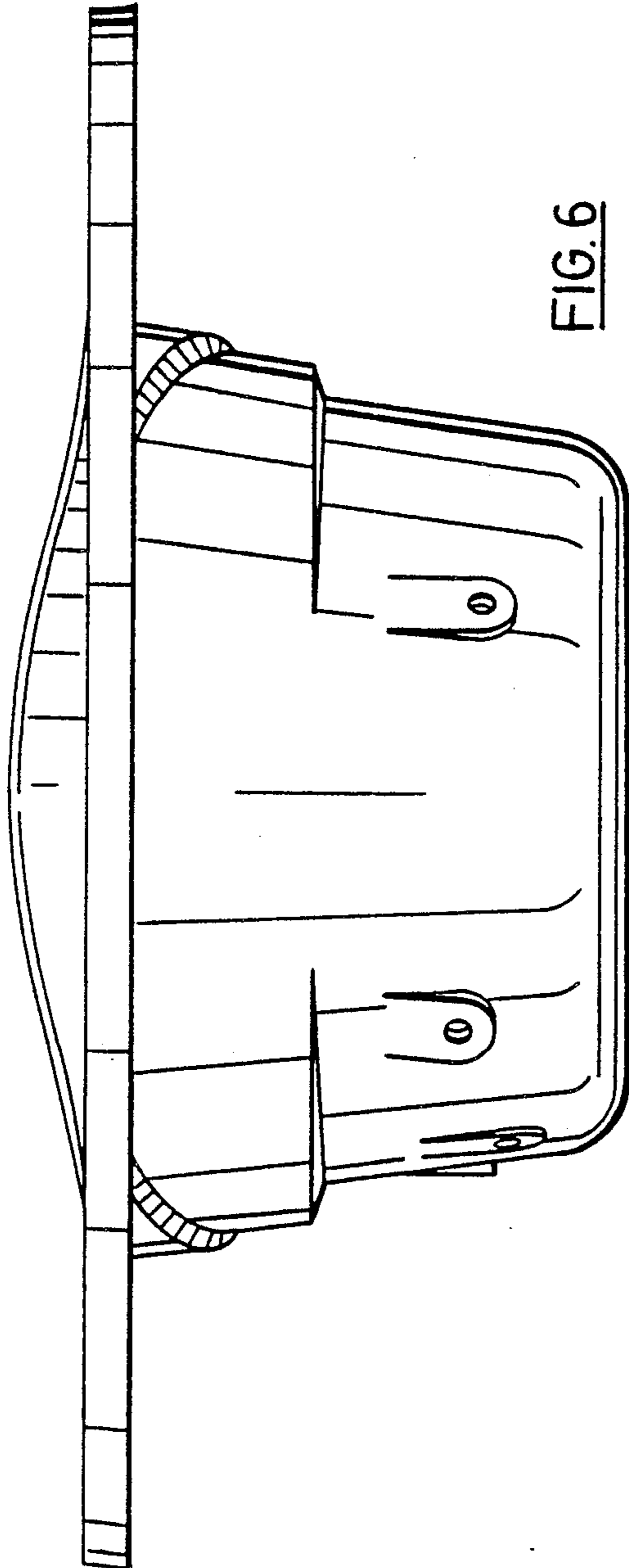


FIG. 6

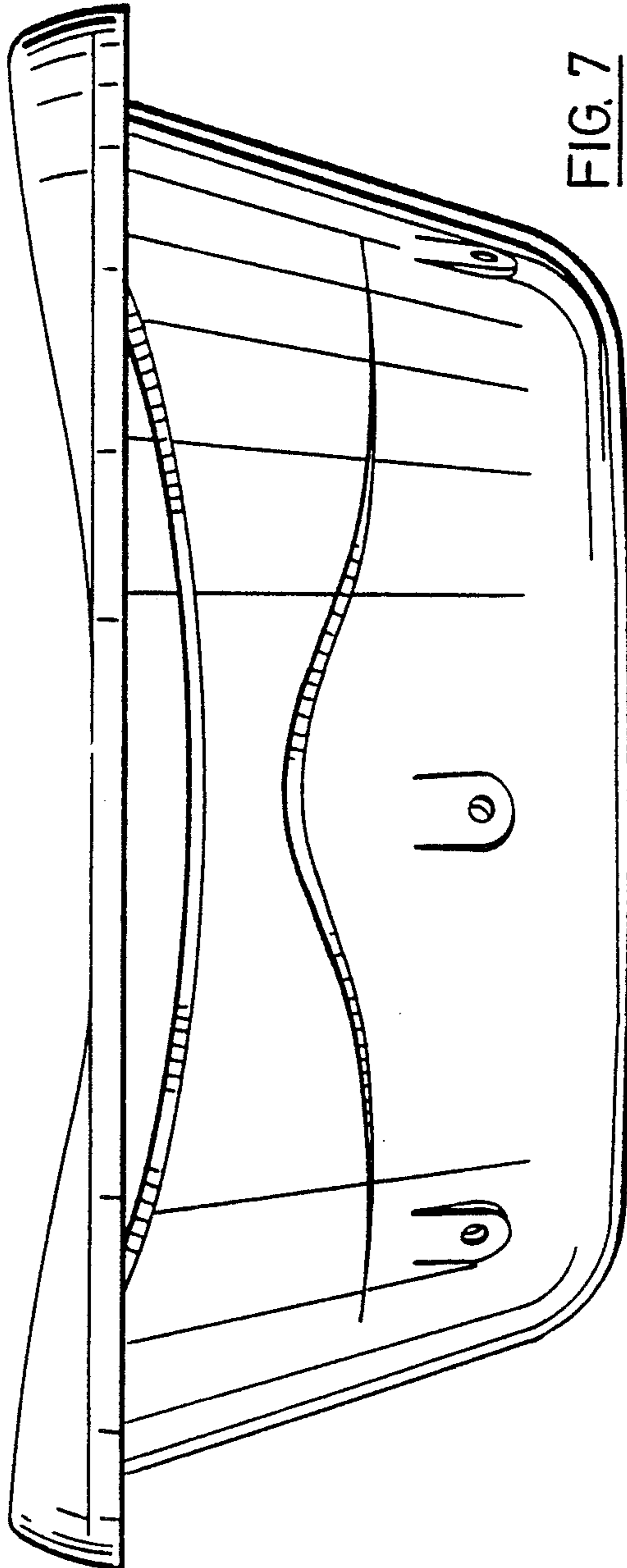


FIG. 7

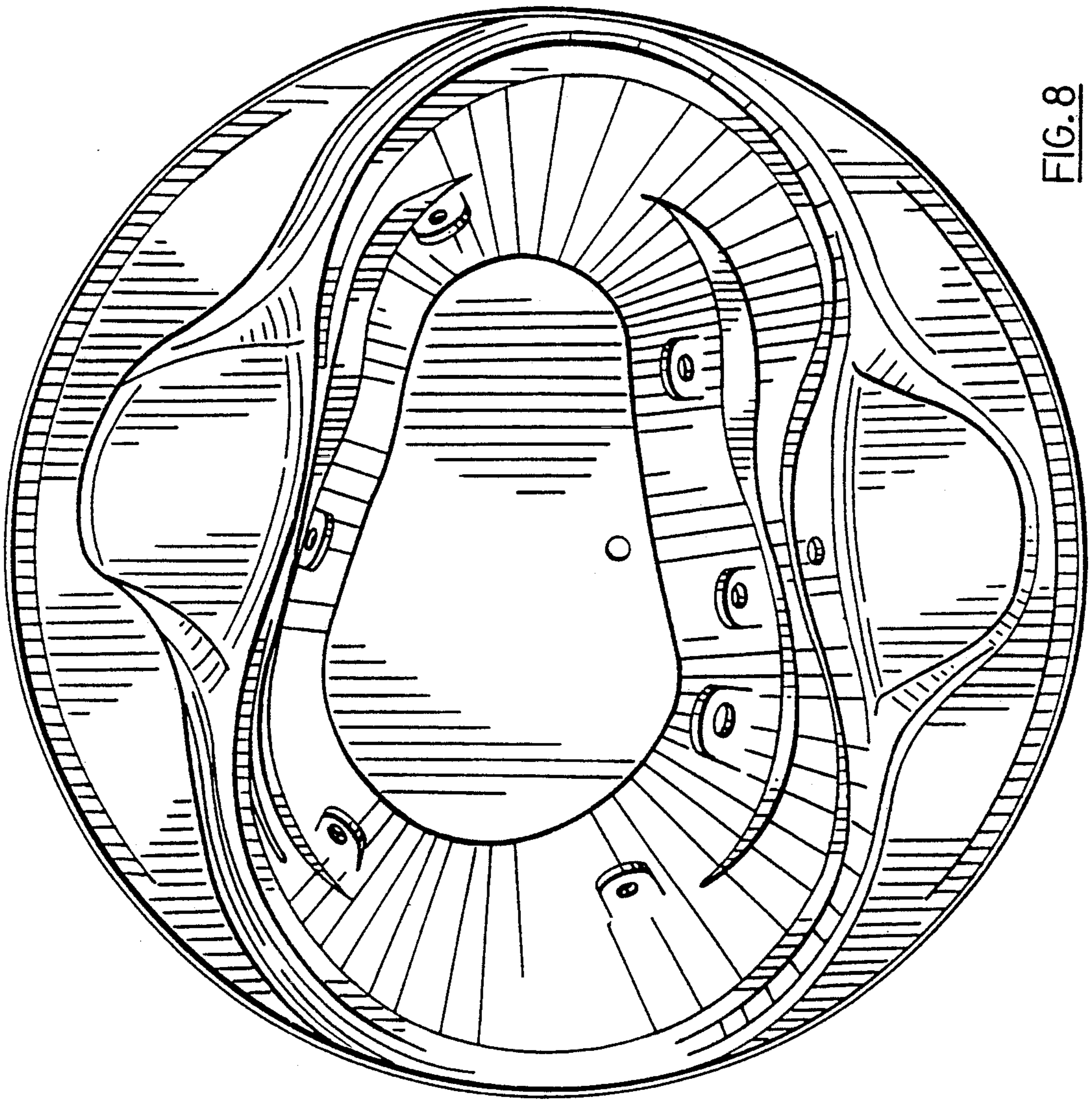


FIG. 8