

- [54] FAUCET
- [75] Inventor: **Todd D. Dannenberg**, Sheboygan, Wis. 53081
- [73] Assignee: **Kohler Co.**, Kohler, Wis.
- [**] Term: **14 Years**
- [21] Appl. No.: **271,194**
- [22] Filed: **Nov. 14, 1988**
- [52] U.S. Cl. **D23/238**
- [58] Field of Search **D23/238-243, D23/255-257; 4/191, 192, 303-305, 623; 137/801; 251/30.02-30.05, 45, 46, 129.04**

[56] **References Cited**

U.S. PATENT DOCUMENTS

D. 291,475	8/1987	Gregory	D23/238
D. 291,476	8/1987	Gregory	D23/238
D. 292,607	11/1987	Wu	D23/238
3,639,920	2/1972	Griffin et al.	4/623
3,670,167	6/1972	Forbes	4/304 X
4,222,410	9/1980	Geimer	251/45 X
4,402,095	9/1983	Pepper	4/623
4,520,516	6/1985	Parsons	4/623
4,604,764	8/1986	Enzo	4/623
4,681,141	7/1987	Wang	4/623 X
4,767,922	8/1988	Stauffer	4/623 X

OTHER PUBLICATIONS

Rubinet ad from Jul./Aug. 1986 issue of *Canadian Interiors*.

Undated Rubinet brochure showing the Model Q46 Spout.

1988 Valley Faucets ad entitled "Single Control Lavatory Faucets" showing the Y183-45 Spout.

1986 American Standard advertisement for the "Amari-lis/Fabian" Spout.

Primary Examiner—James R. Largen
Attorney, Agent, or Firm—Quarles & Brady

[57] **CLAIM**

The ornamental design for a faucet, as shown and described.

DESCRIPTION

FIG. 1 is a top, front, right side perspective view of a faucet showing my new design;

FIG. 2 is a top plan view thereof;

FIG. 3 is a front elevational view thereof;

FIG. 4 is a rear elevational view thereof;

FIG. 5 is a right side elevational view thereof, the left side being the mirror image of the right side;

FIG. 6 is a bottom plan view thereof;

FIG. 7 is a top plan view of a second embodiment thereof;

FIG. 8 is a top, front, right side perspective view of a third embodiment thereof;

FIG. 9 is a top plan view of FIG. 8;

FIG. 10 is a front elevational view of FIG. 8;

FIG. 11 is a rear elevational view of FIG. 8;

FIG. 12 is a right side elevational view of FIG. 8, the left side being a mirror image of the right side;

FIG. 13 is a bottom plan view of FIG. 8; and

FIG. 14 is a top plan view of a fourth embodiment thereof.

The broken line showing of holes in FIGS. 6 and 13 are for purposes of illustration only and form no part of the claimed design.

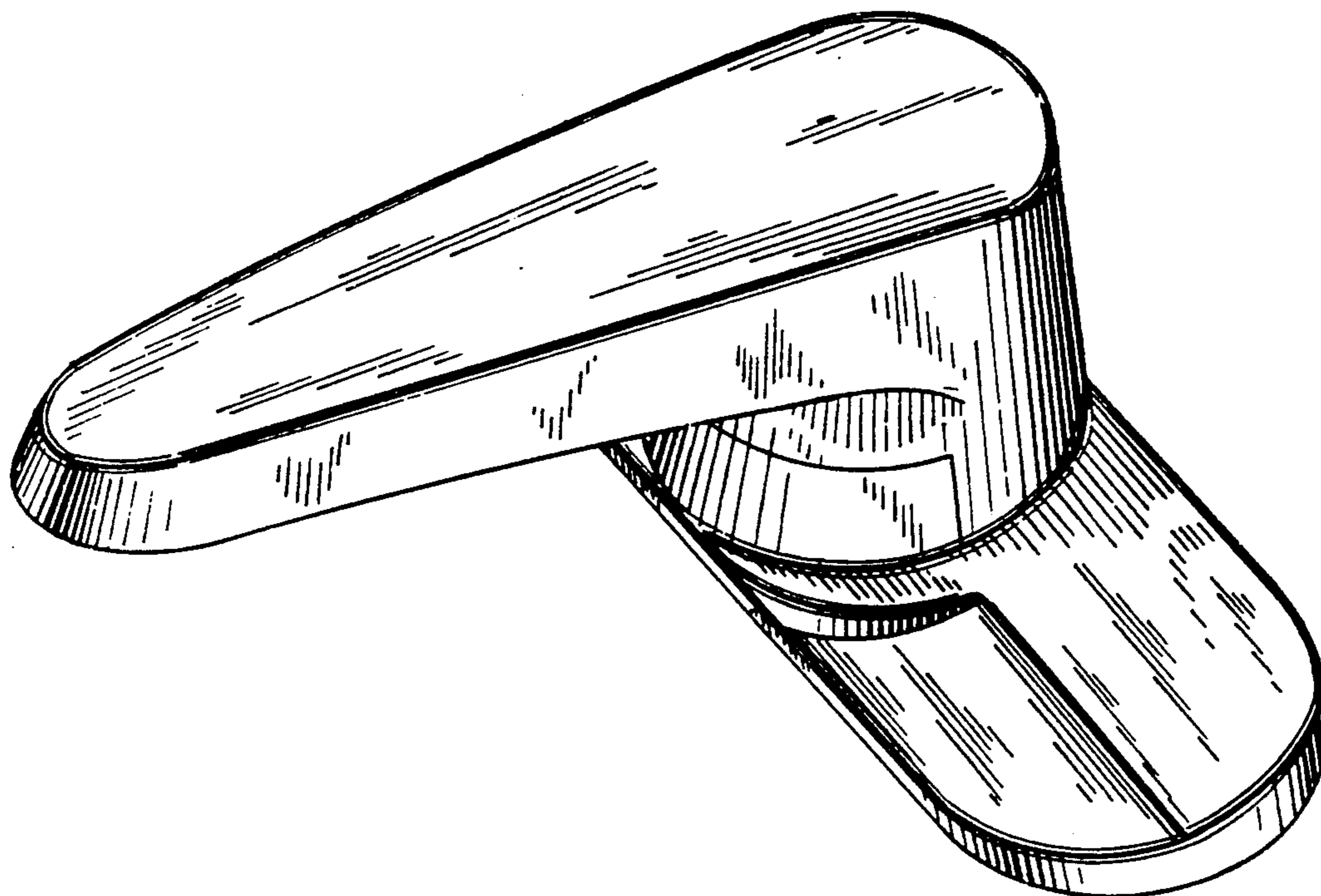


FIG. 1

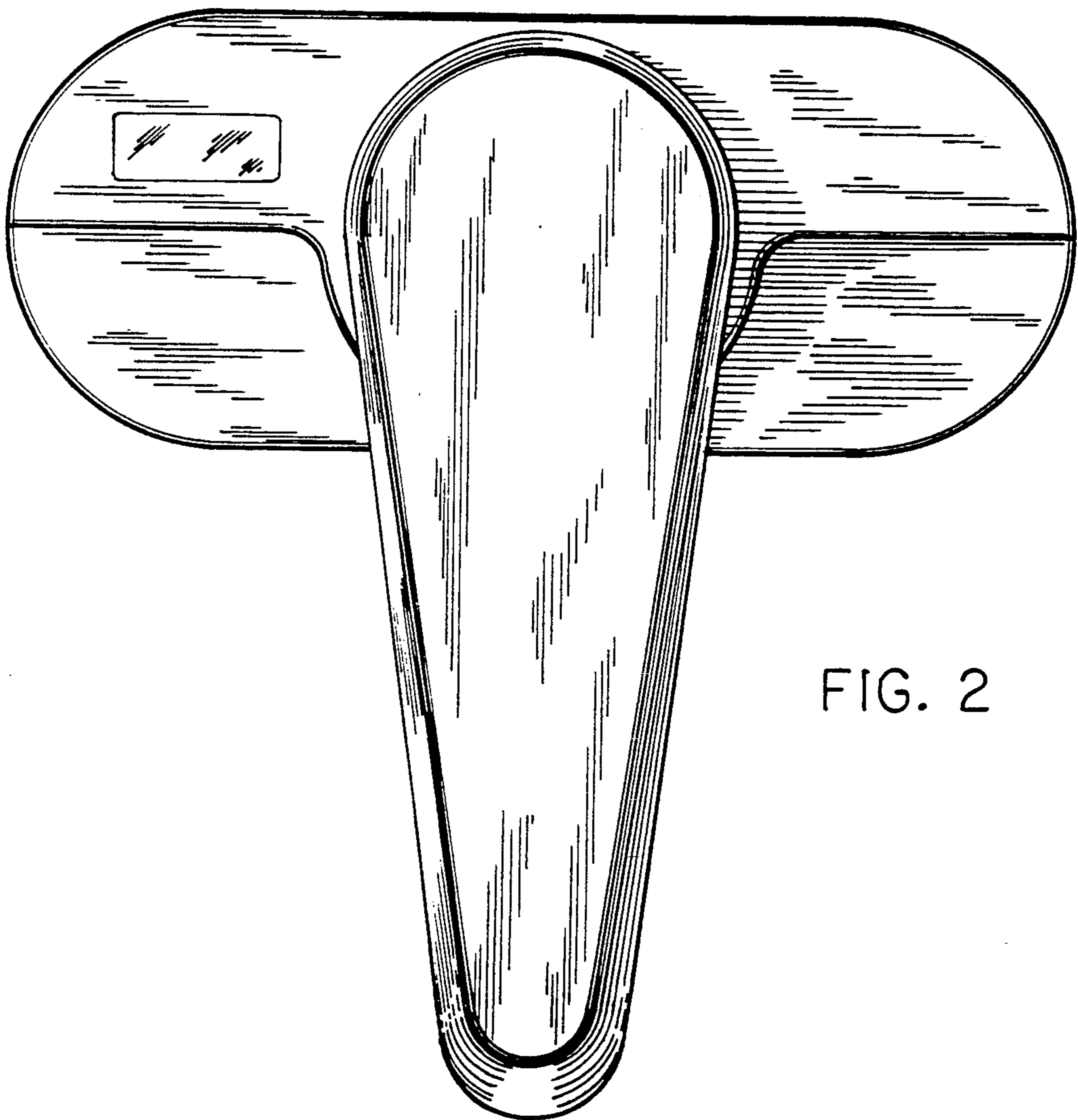
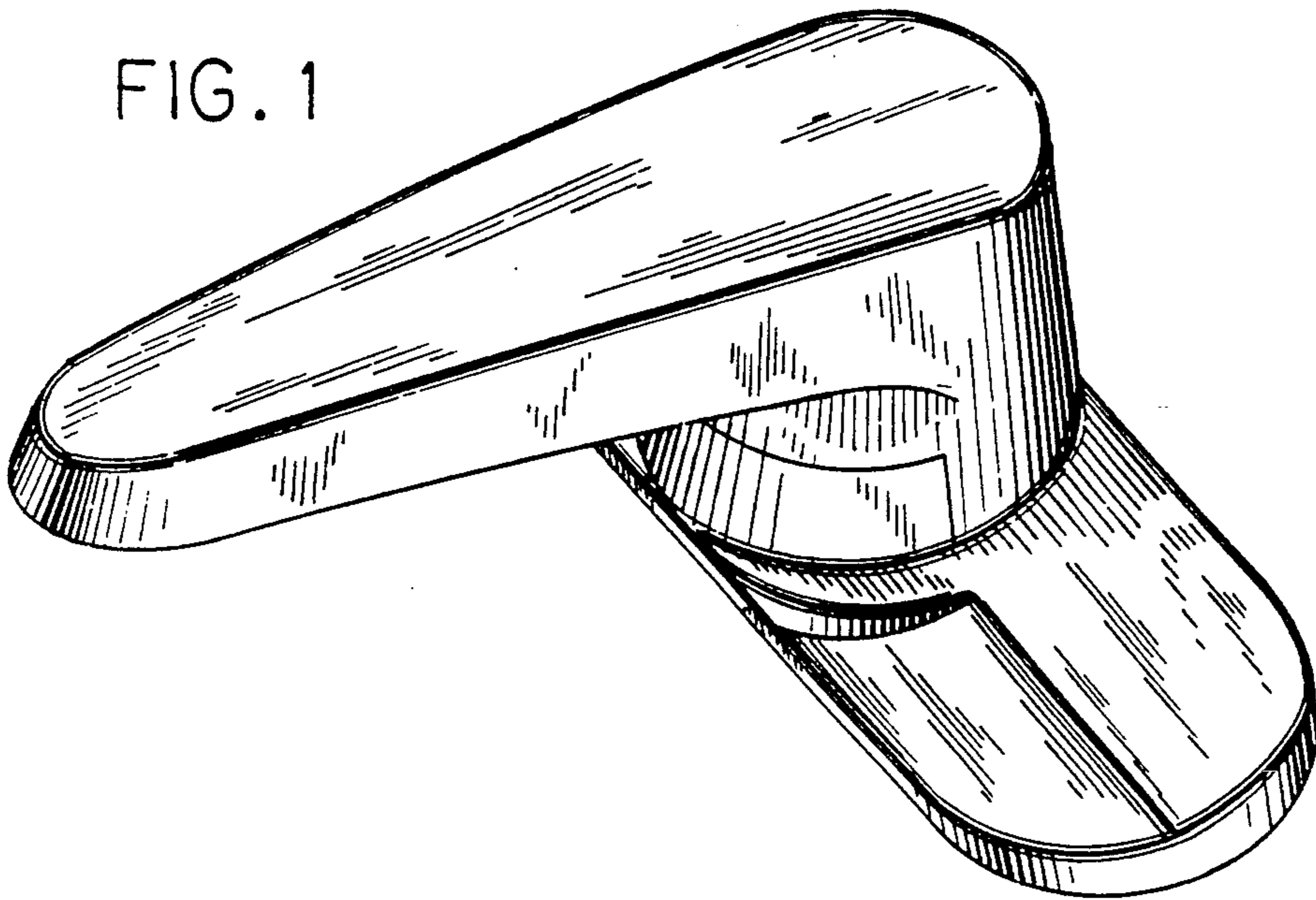


FIG. 2

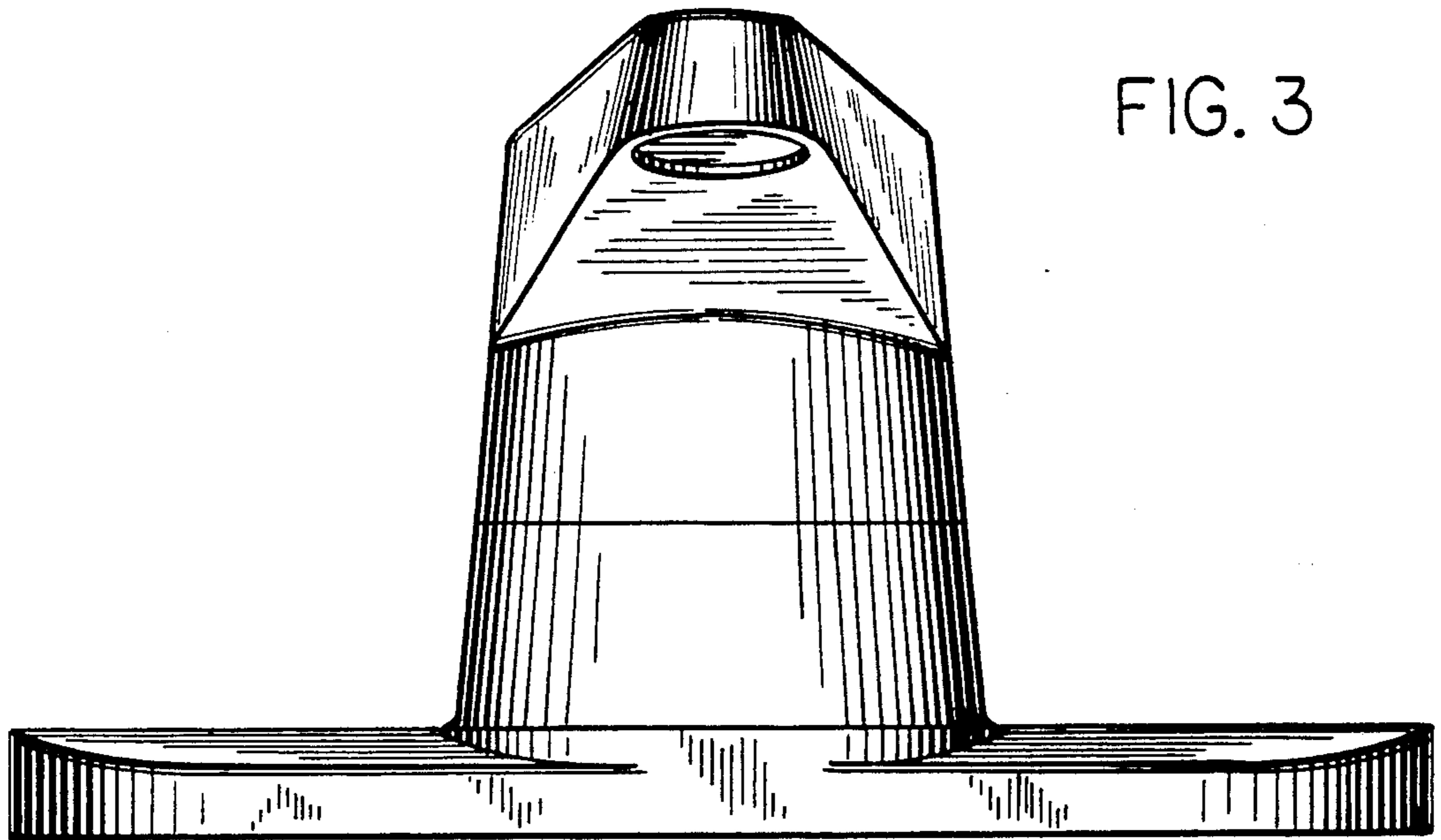


FIG. 3

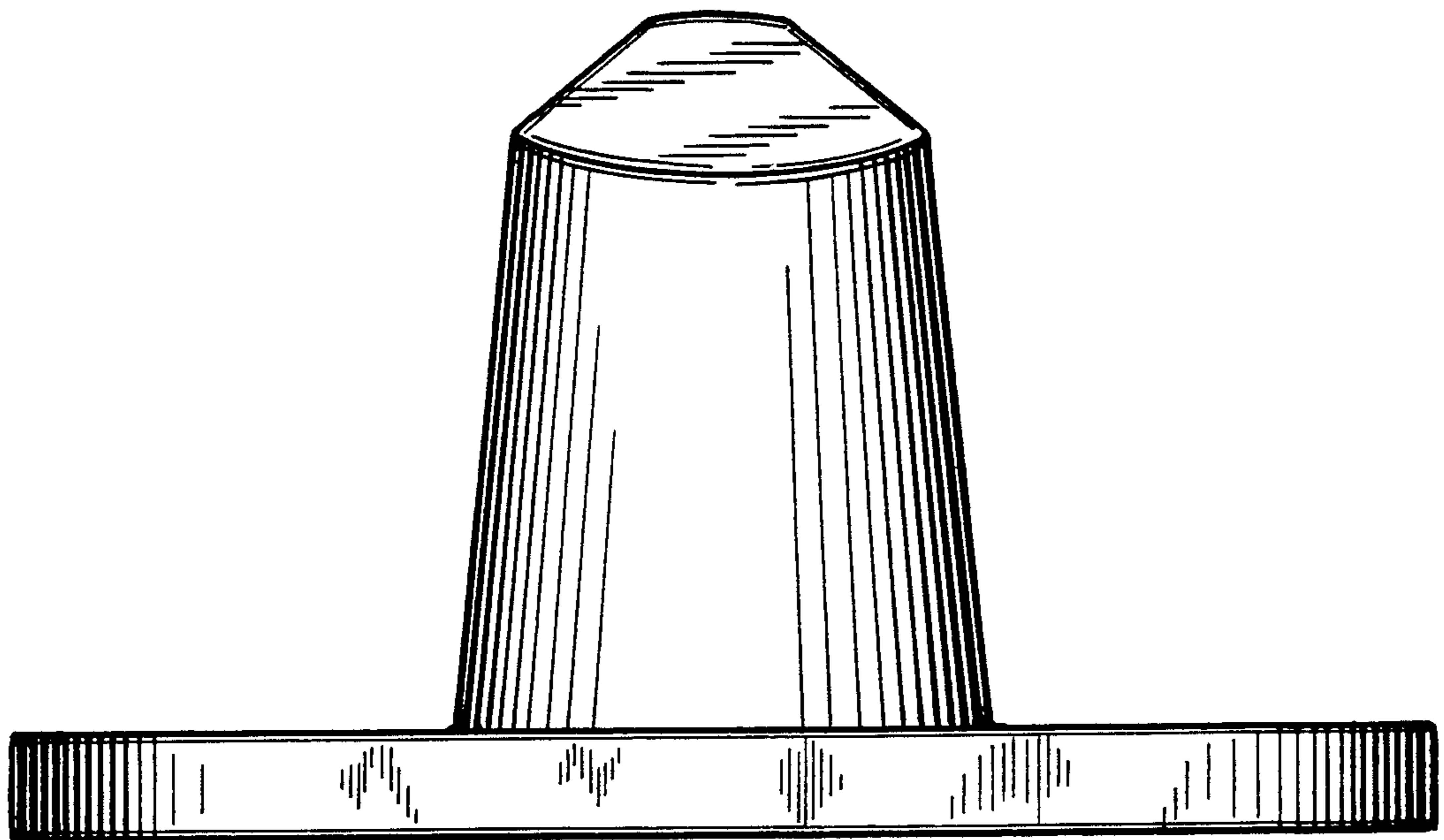


FIG. 4

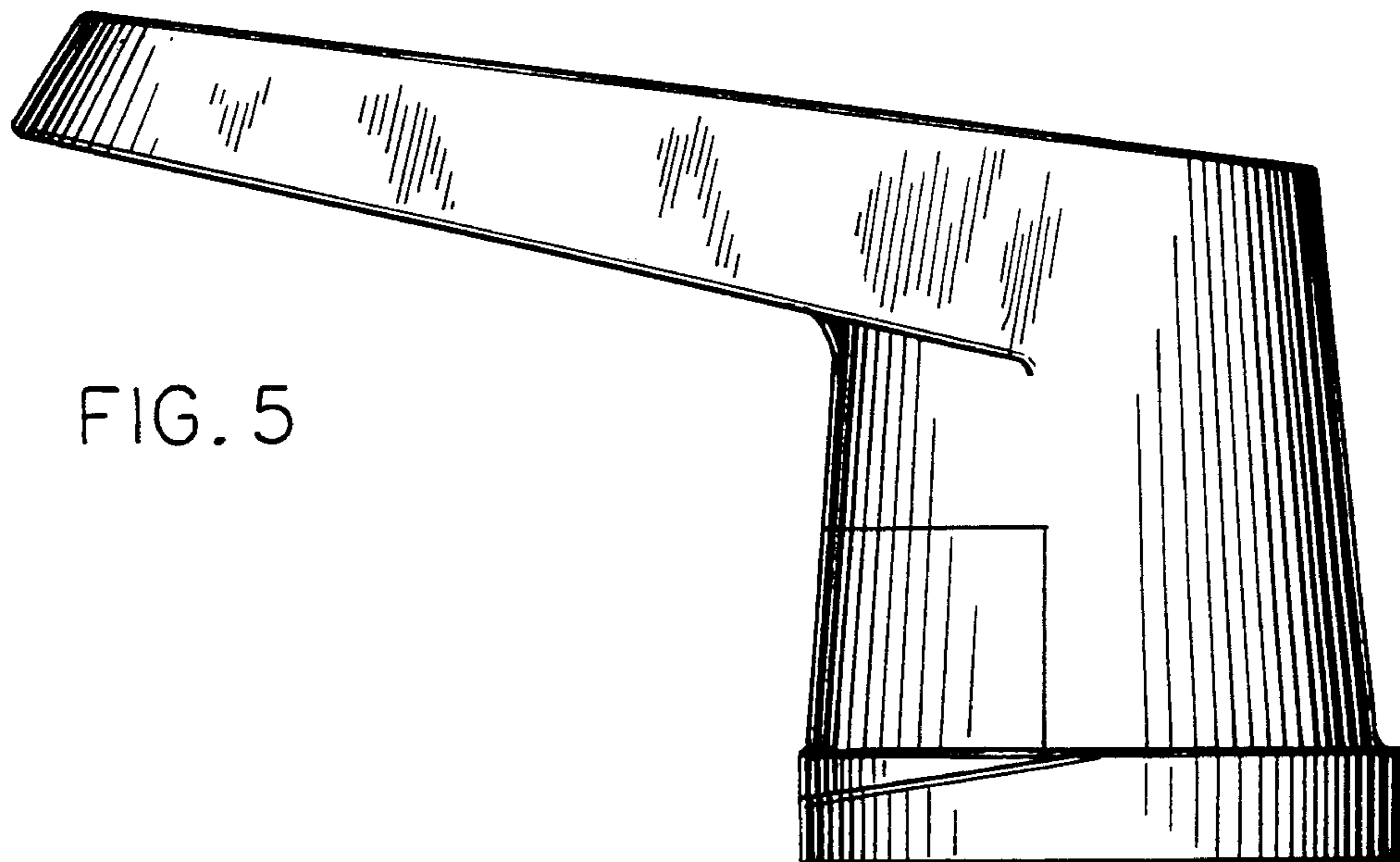


FIG. 5

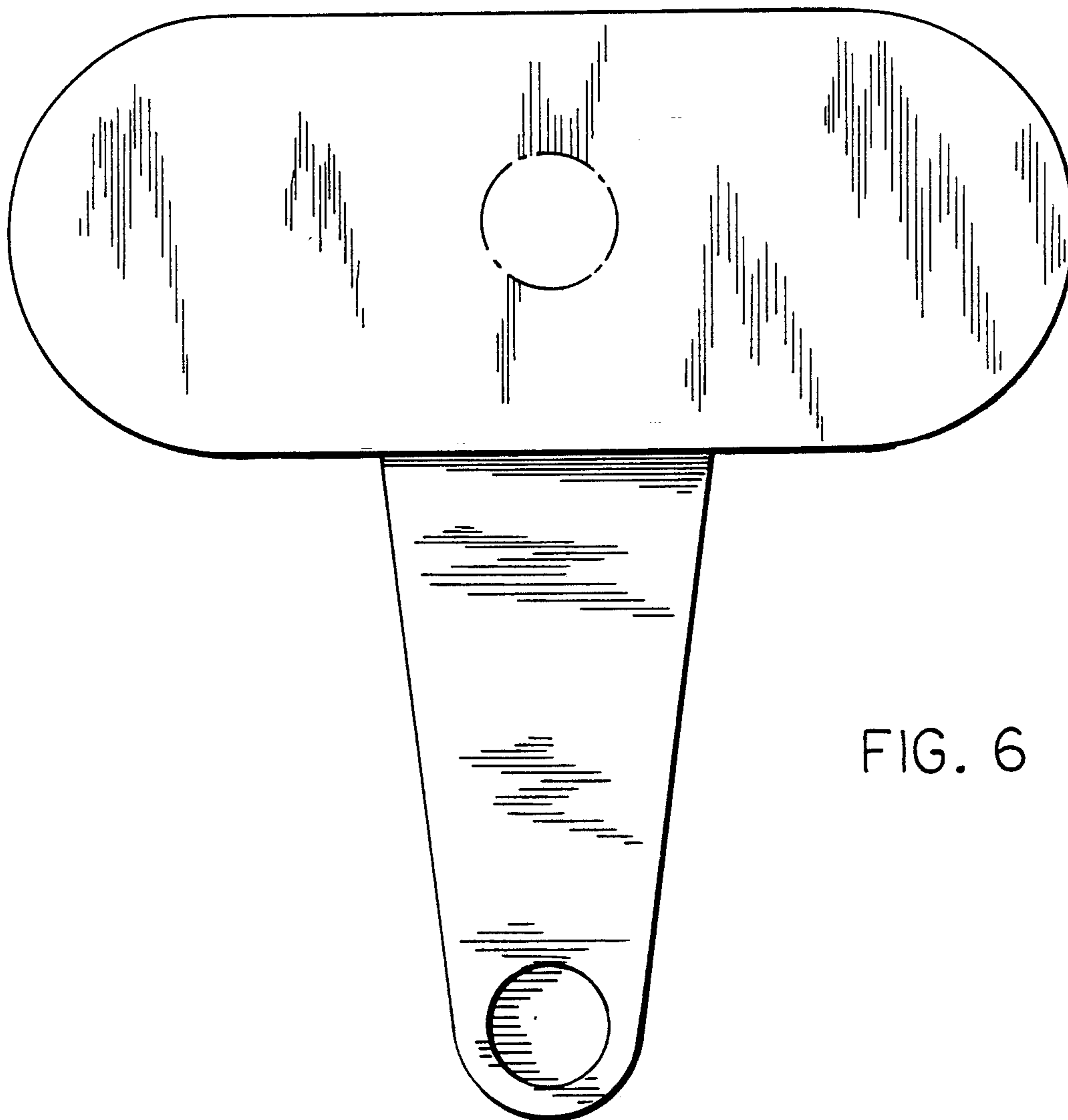


FIG. 6

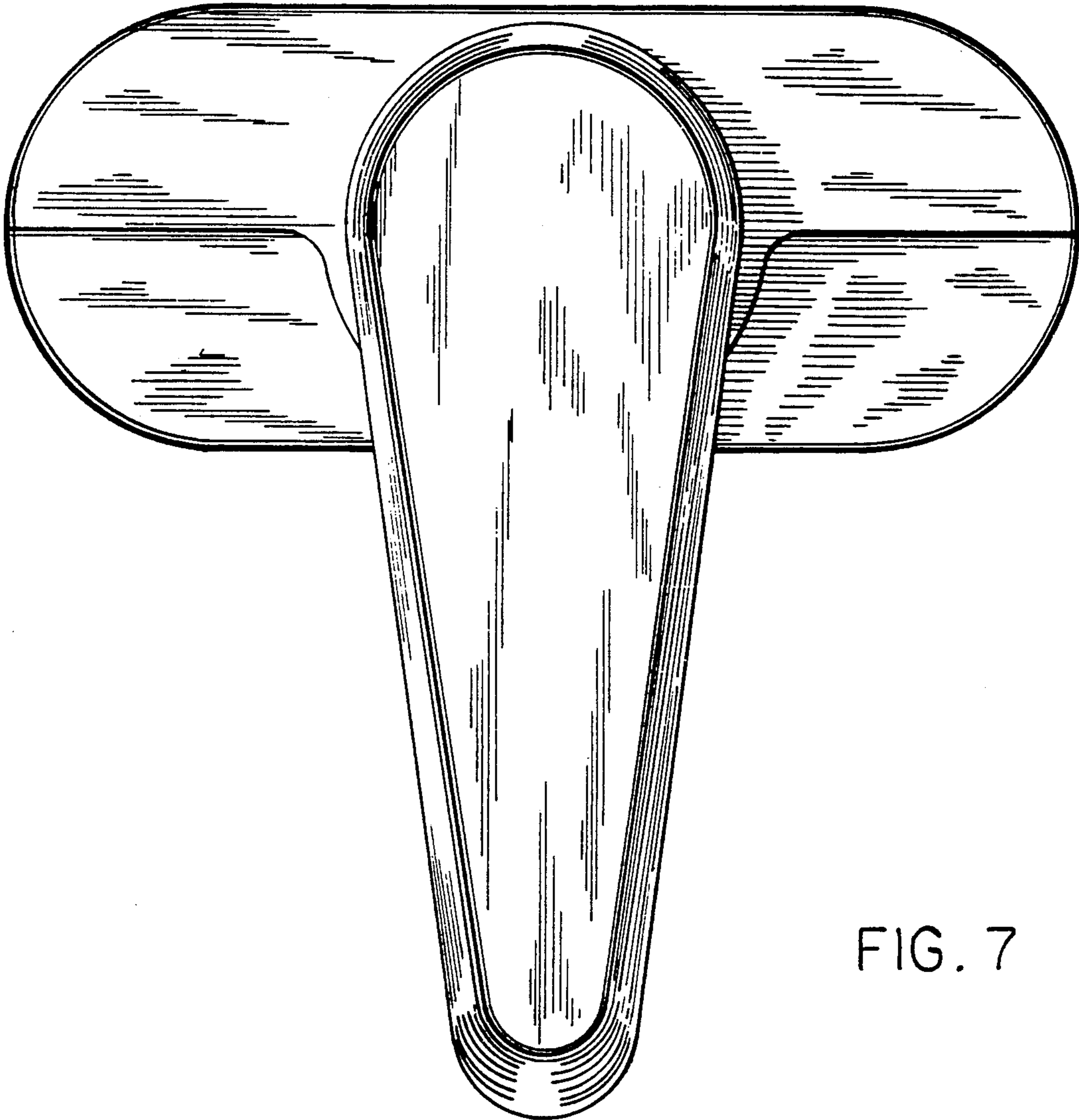


FIG. 7

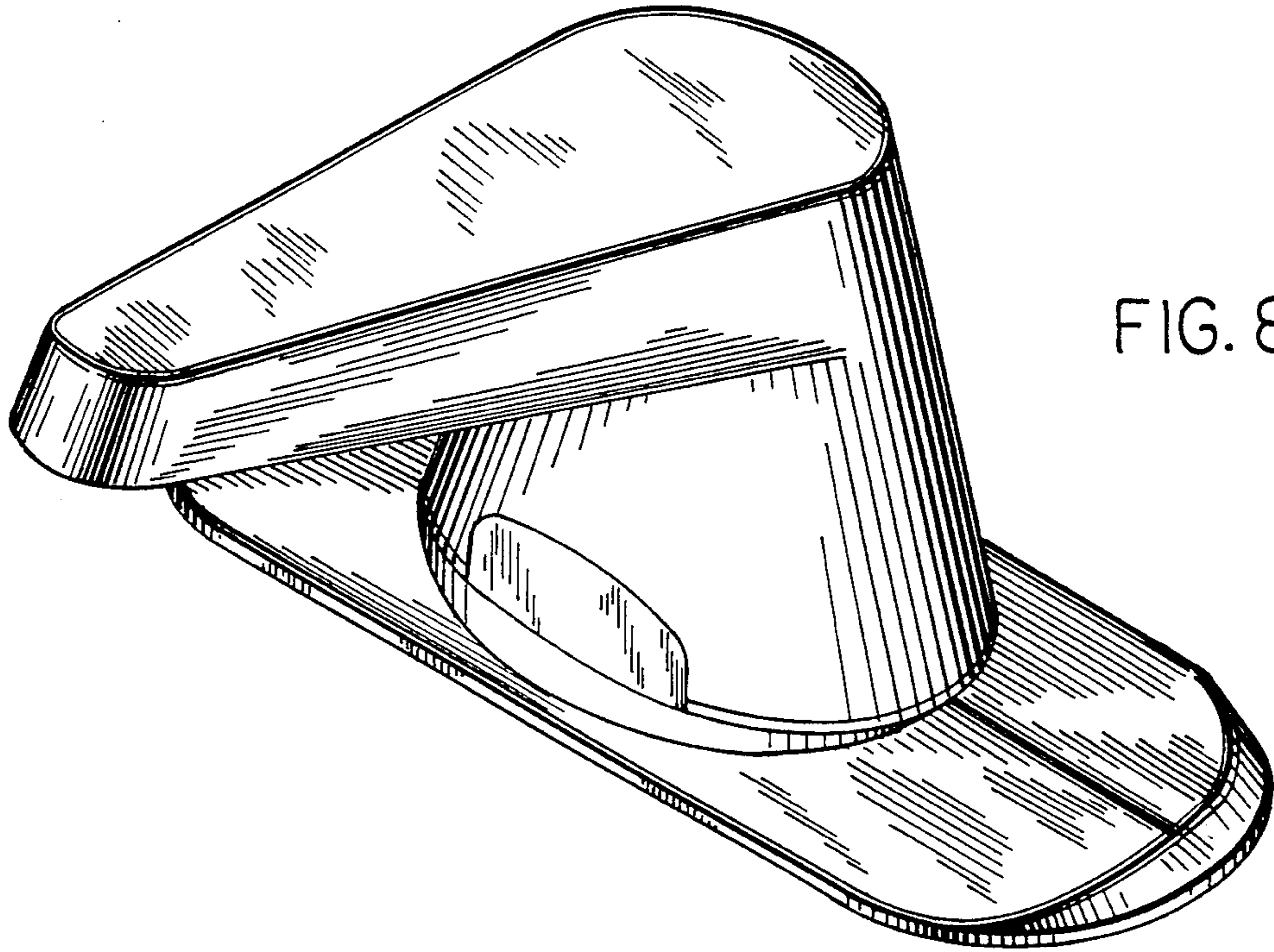


FIG. 8

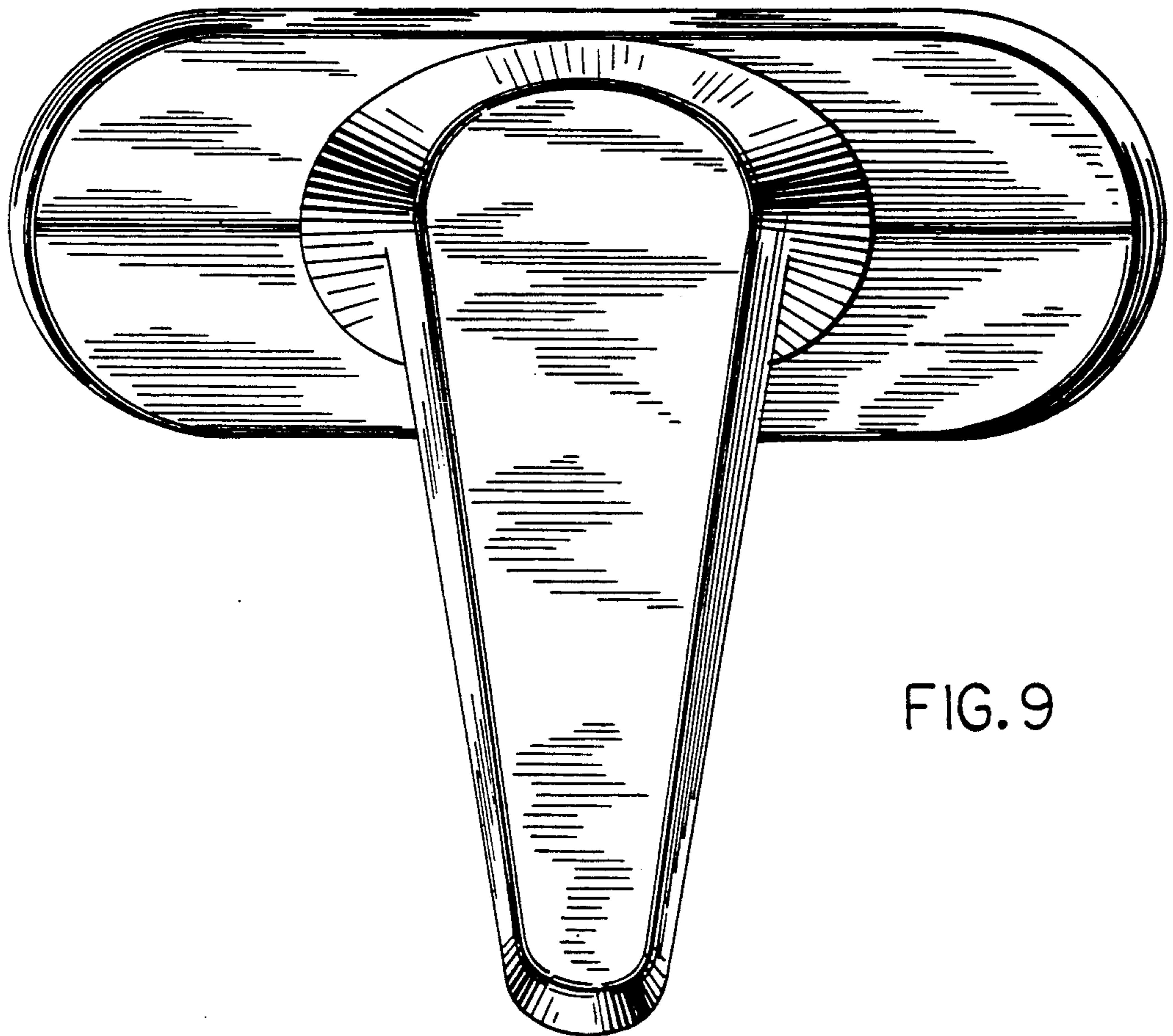


FIG. 9

FIG. 10

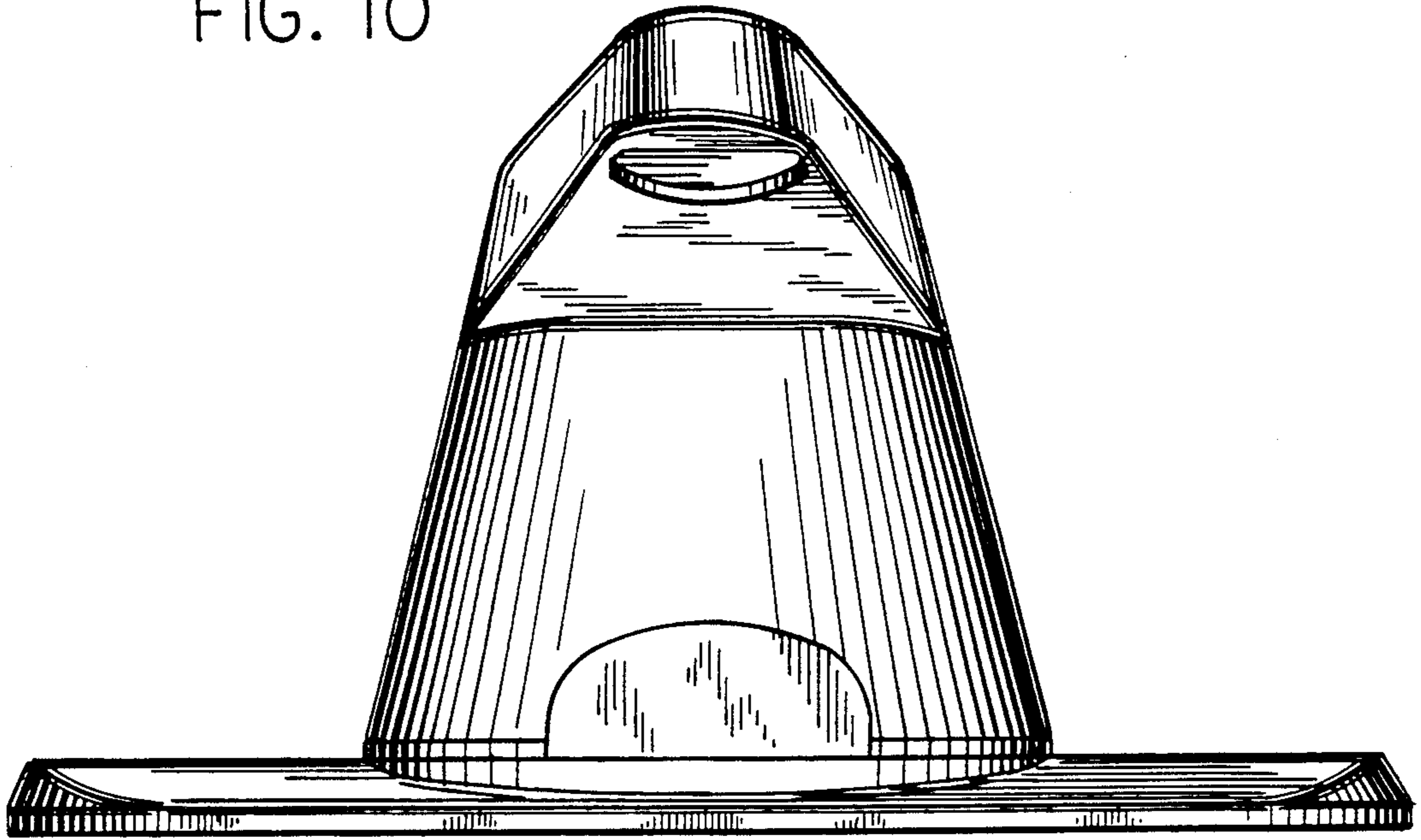
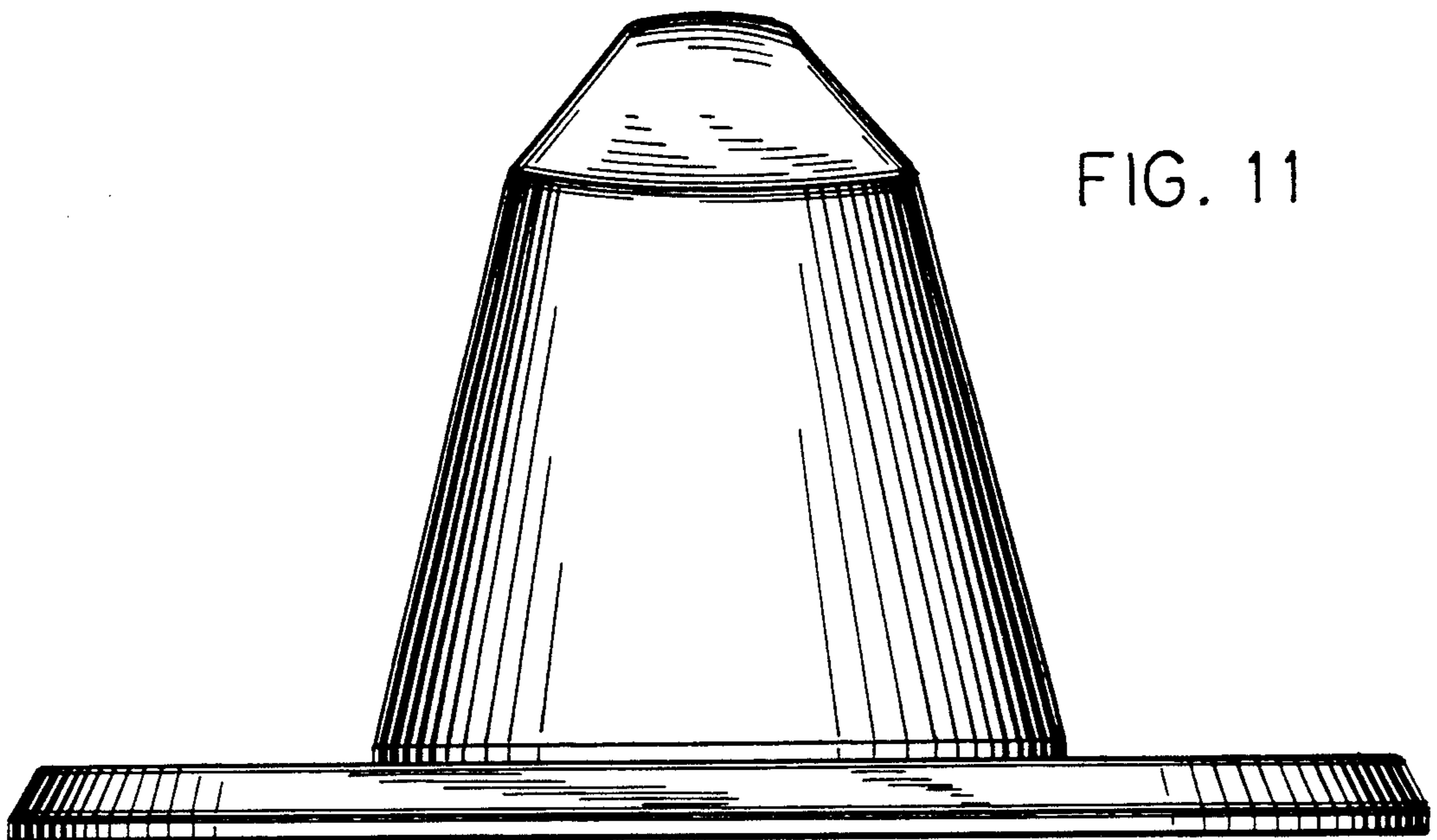


FIG. 11



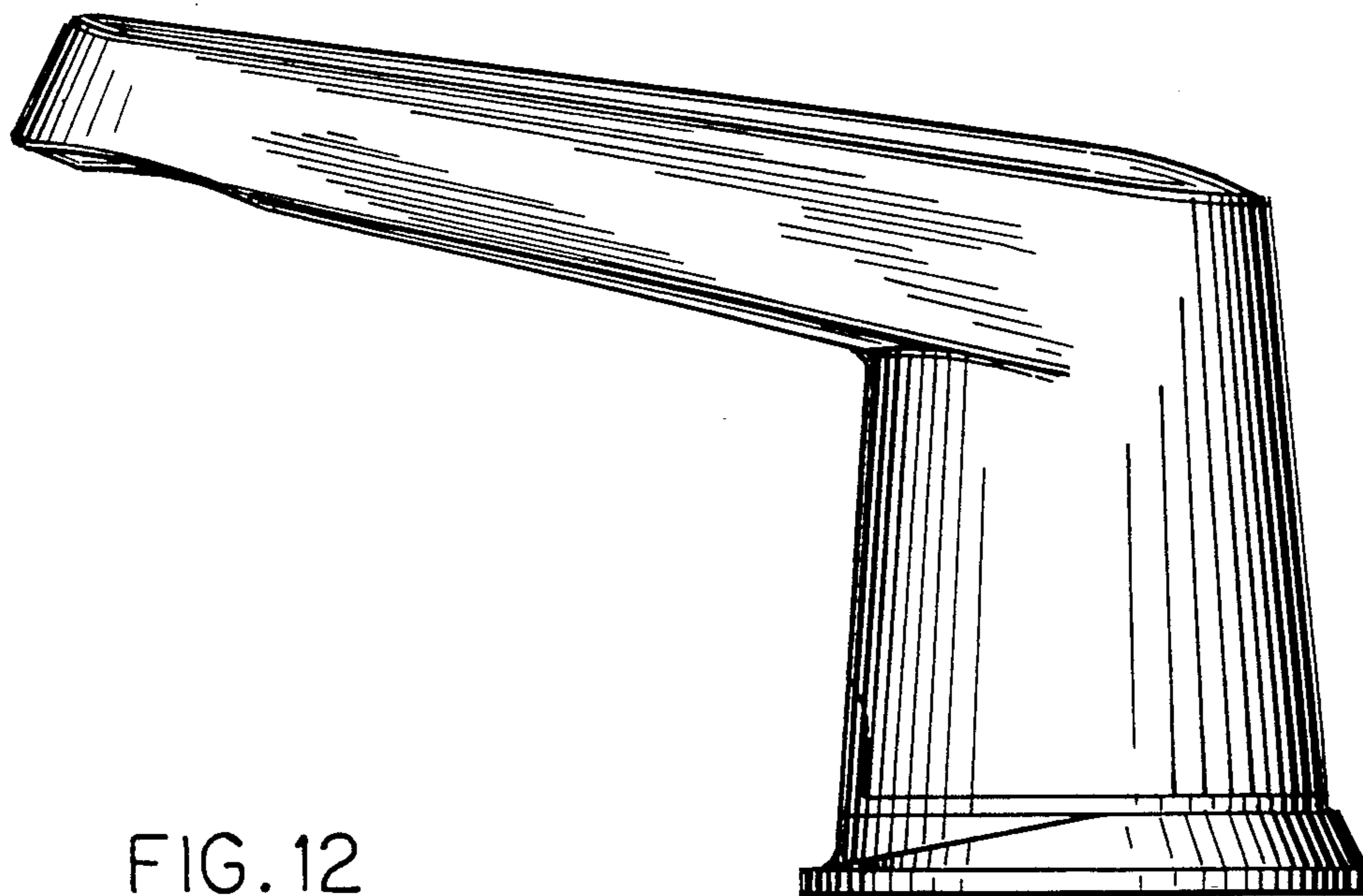


FIG. 12

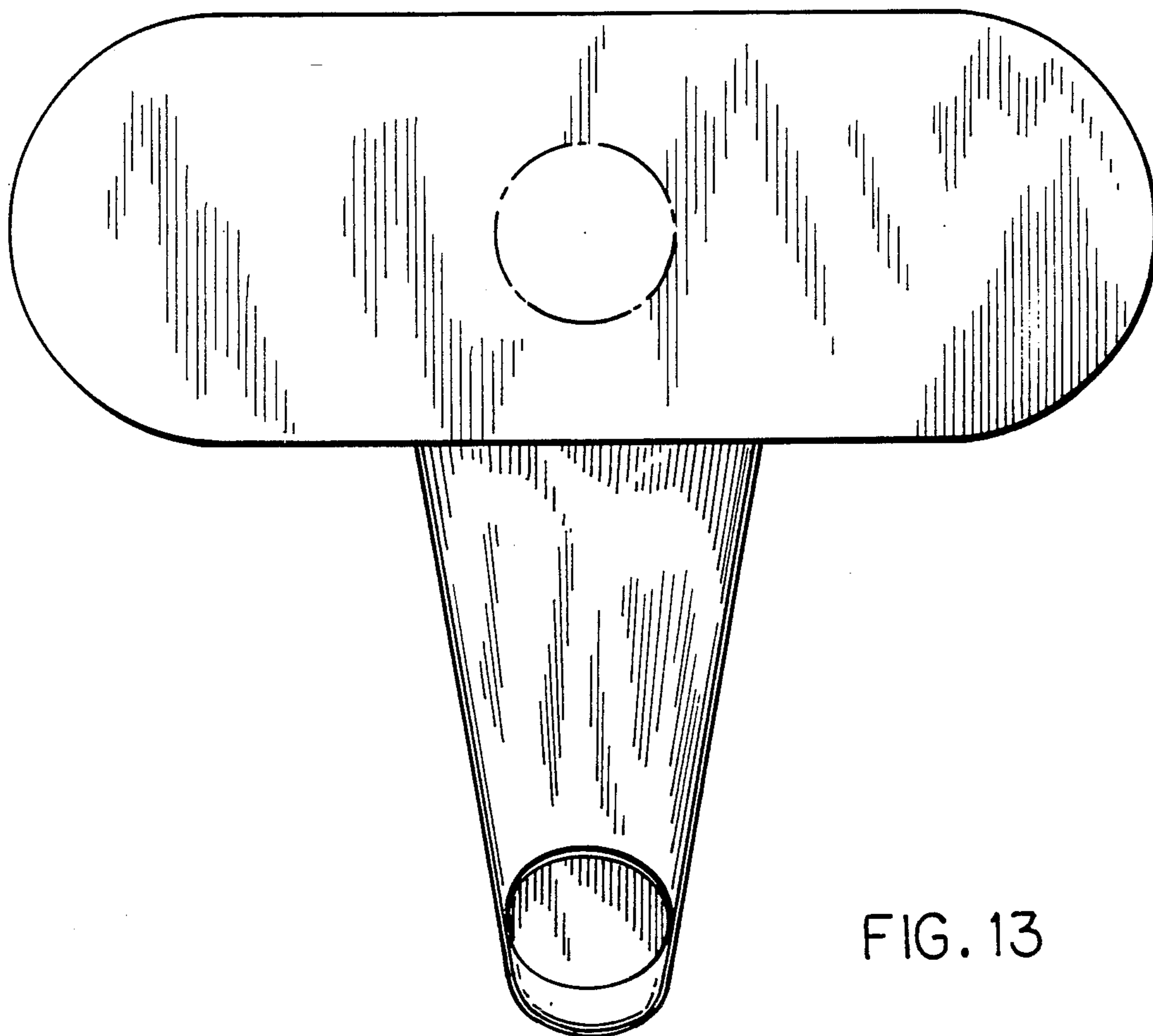


FIG. 13

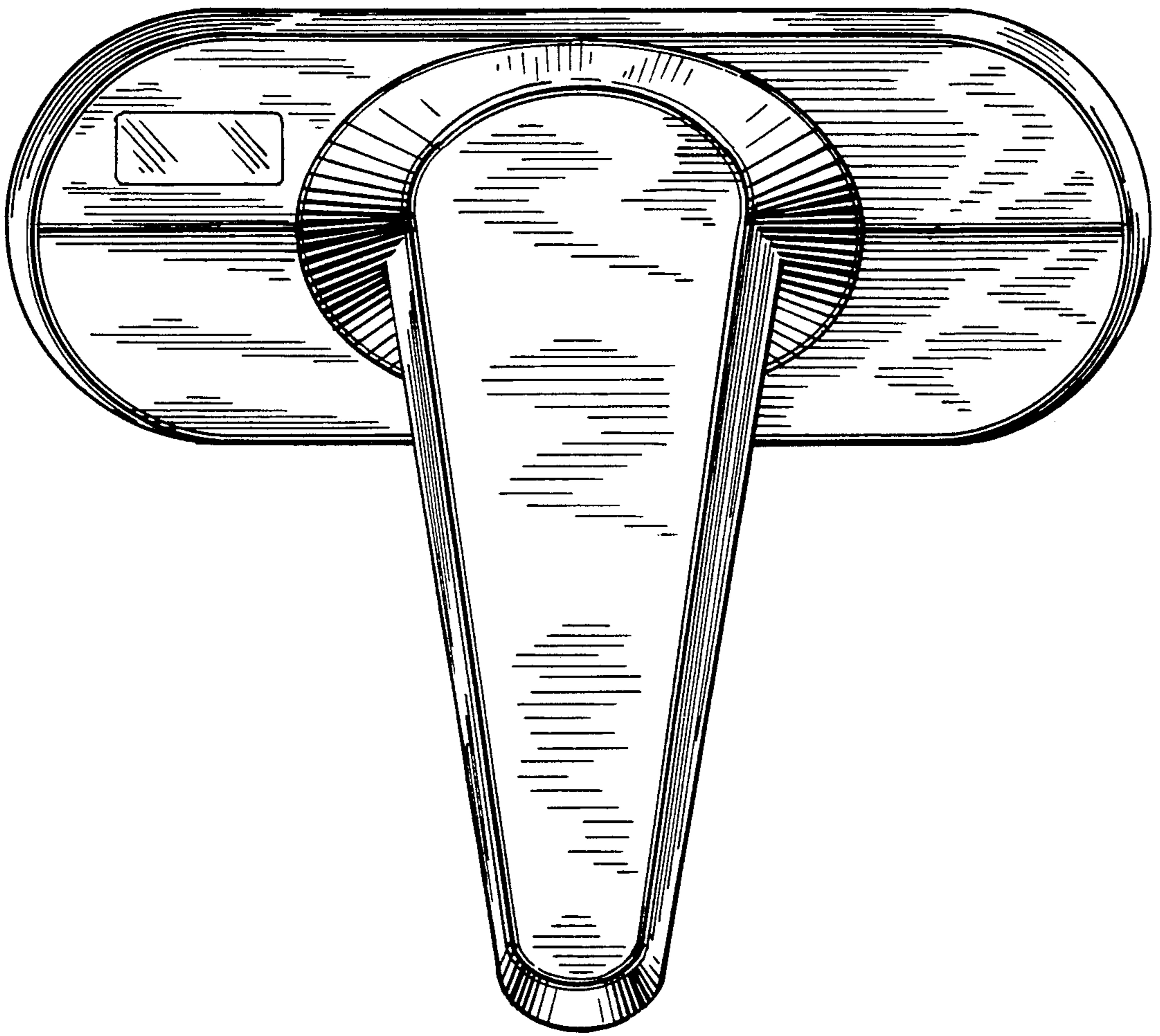


FIG. 14