

[54] OSCILLATING SPRINKLER

[75] Inventor: Stephen P. Whitehead, Elgin, Ill.

[73] Assignee: Suncast Corporation, Batavia, Ill.

[**] Term: 14 Years

[21] Appl. No.: 555,743

[22] Filed: Jul. 19, 1990

[52] U.S. Cl. D23/216

[58] Field of Search D23/200, 213-221; 239/200-206, 211, 222.11-223, 230-233, 273, 275-276, 288, 288.5, 390-394, 443-444, 456, 468, 505, 518-524, 556-558, DIG. 1

[56] References Cited

U.S. PATENT DOCUMENTS

D. 198,828	8/1964	Turner	D23/216
D. 294,635	3/1988	Hattori	D23/216
D. 303,283	9/1989	Best et al.	D23/216
D. 309,772	8/1990	Hastings et al.	D23/216
D. 315,395	3/1991	Clevis	D23/216
4,379,523	4/1983	Schanz et al.	239/242 X
4,511,085	4/1985	Schanz et al.	239/242

OTHER PUBLICATIONS

1987 Suncast "Lawn and Garden Catalog", pp. 1-2.
1988 Suncast "Lawn and Garden Catalog", pp. 6 and 11.

Suncast Catalog bearing a 1988 copyright notice entitled "Lawn and Garden Products", p. 11.

Primary Examiner—Susan J. Lucas

Assistant Examiner—M. H. Tung

Attorney, Agent, or Firm—Fitch, Even, Tabin & Flannery

[57] CLAIM

The ornamental design for an oscillating sprinkler, as shown and described.

DESCRIPTION

FIG. 1 is a top, right side perspective view of an oscillating sprinkler showing my new design;
FIG. 2 is a right side elevational view thereof;
FIG. 3 is a rear elevational view thereof;
FIG. 4 is a front elevational view thereof;
FIG. 5 is a left side elevational view thereof;
FIG. 6 is a top plan view thereof;
FIG. 7 is a bottom plan view thereof.

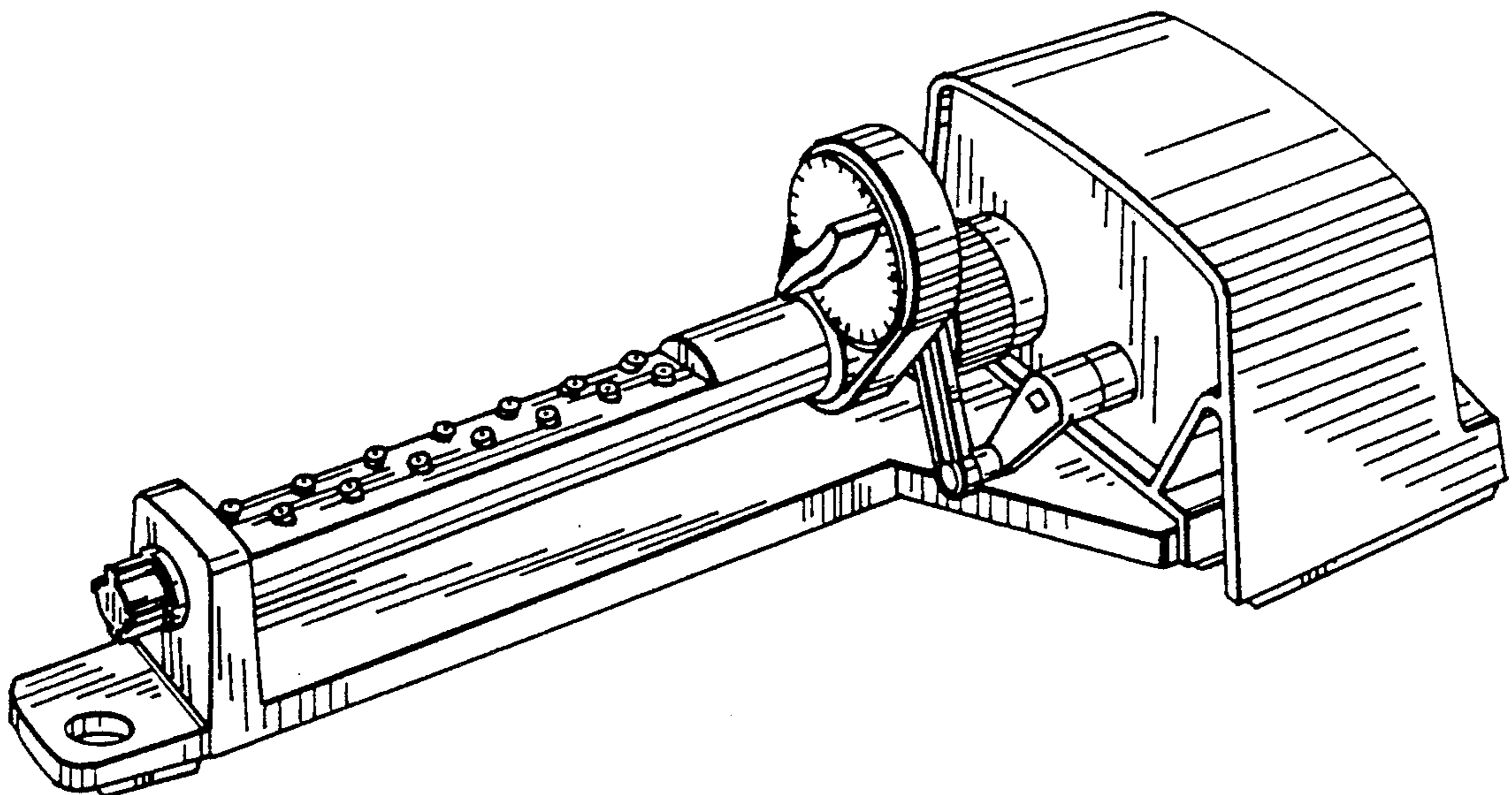


Fig. 1

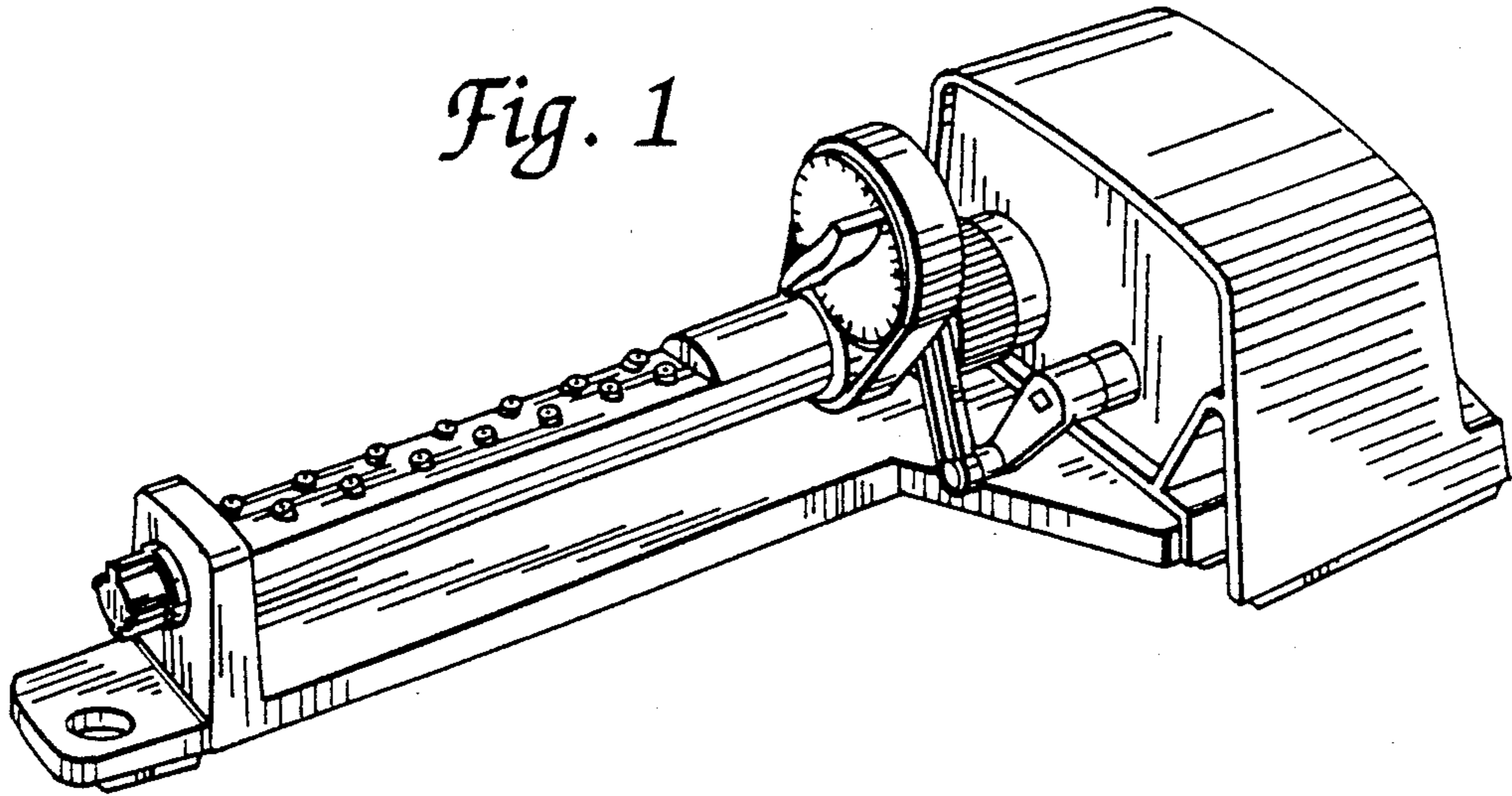


Fig. 2

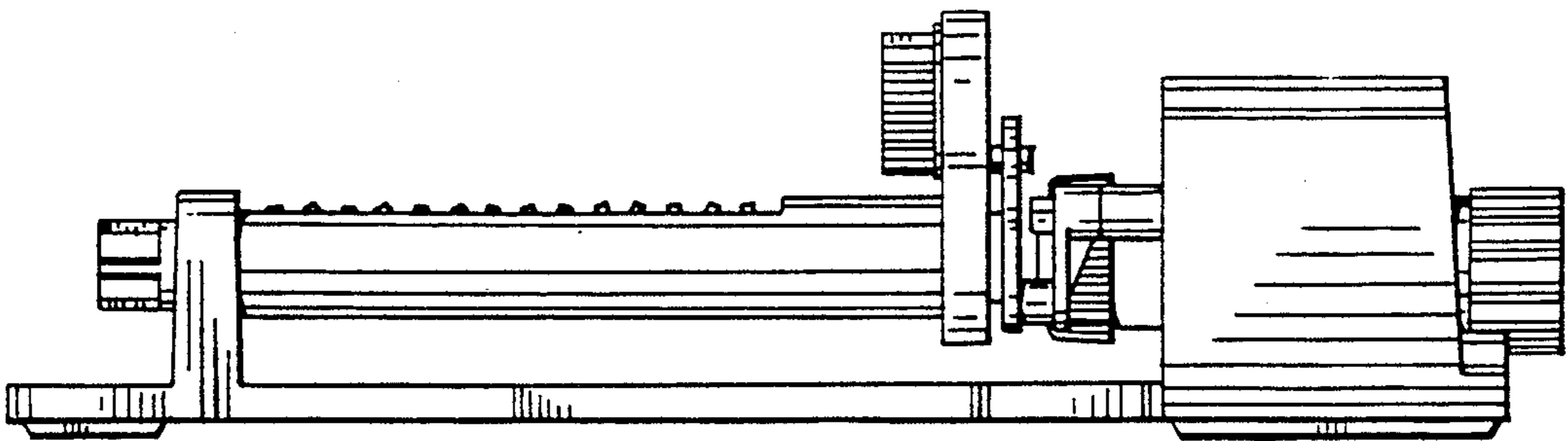


Fig. 3

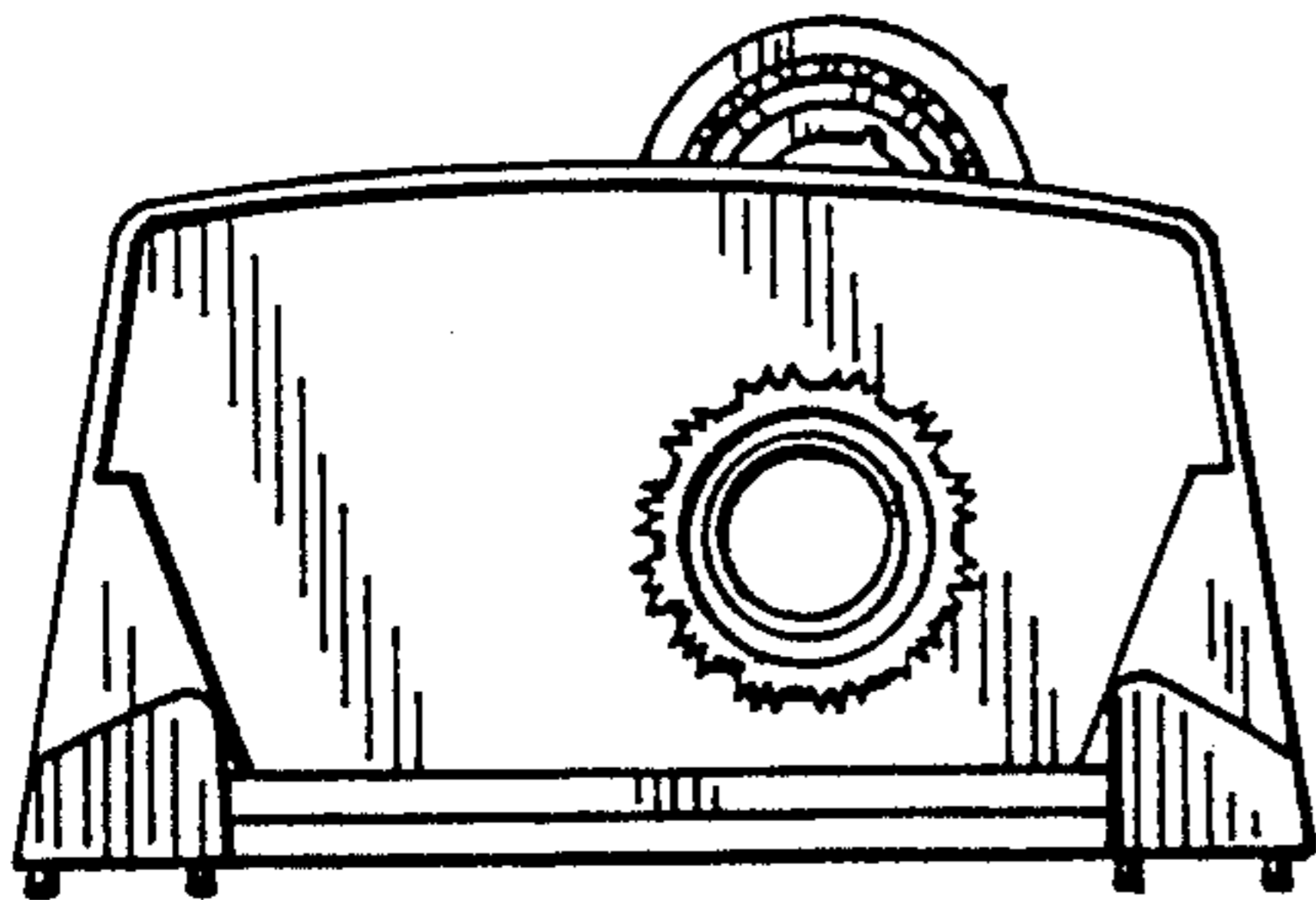


Fig. 4

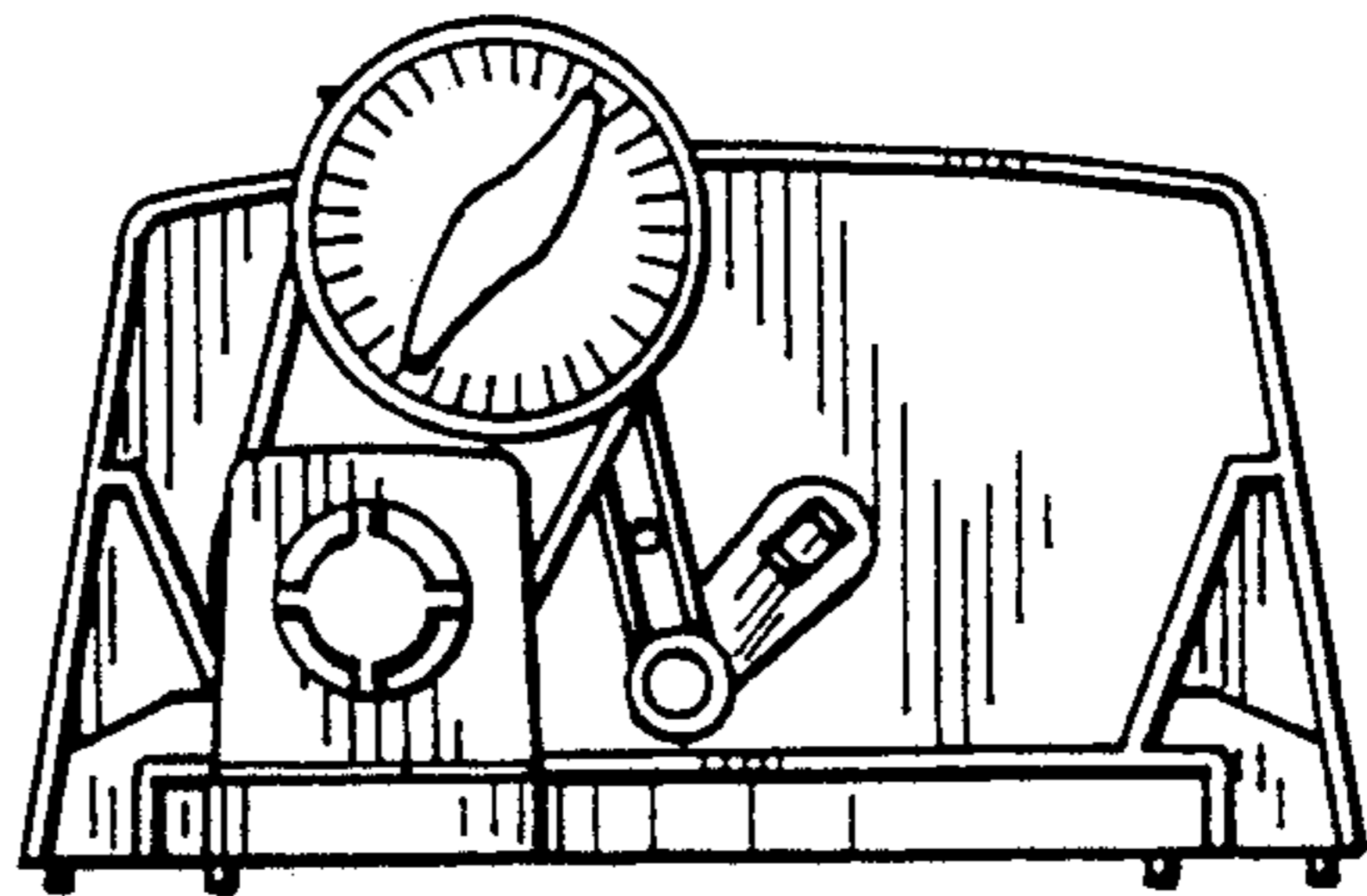


Fig. 5

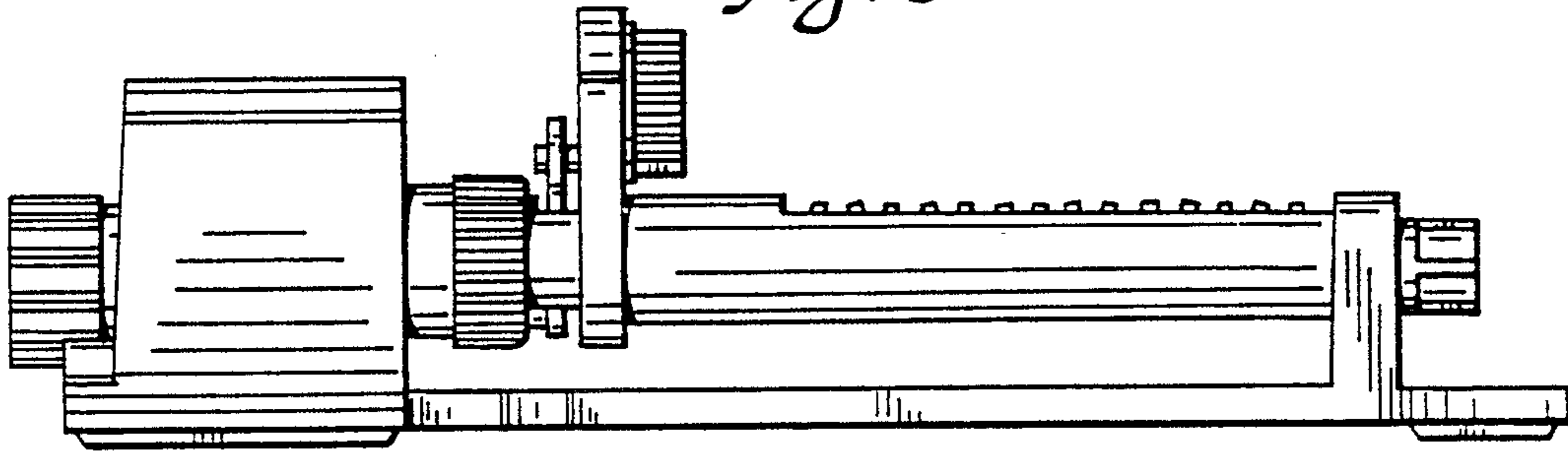


Fig. 6

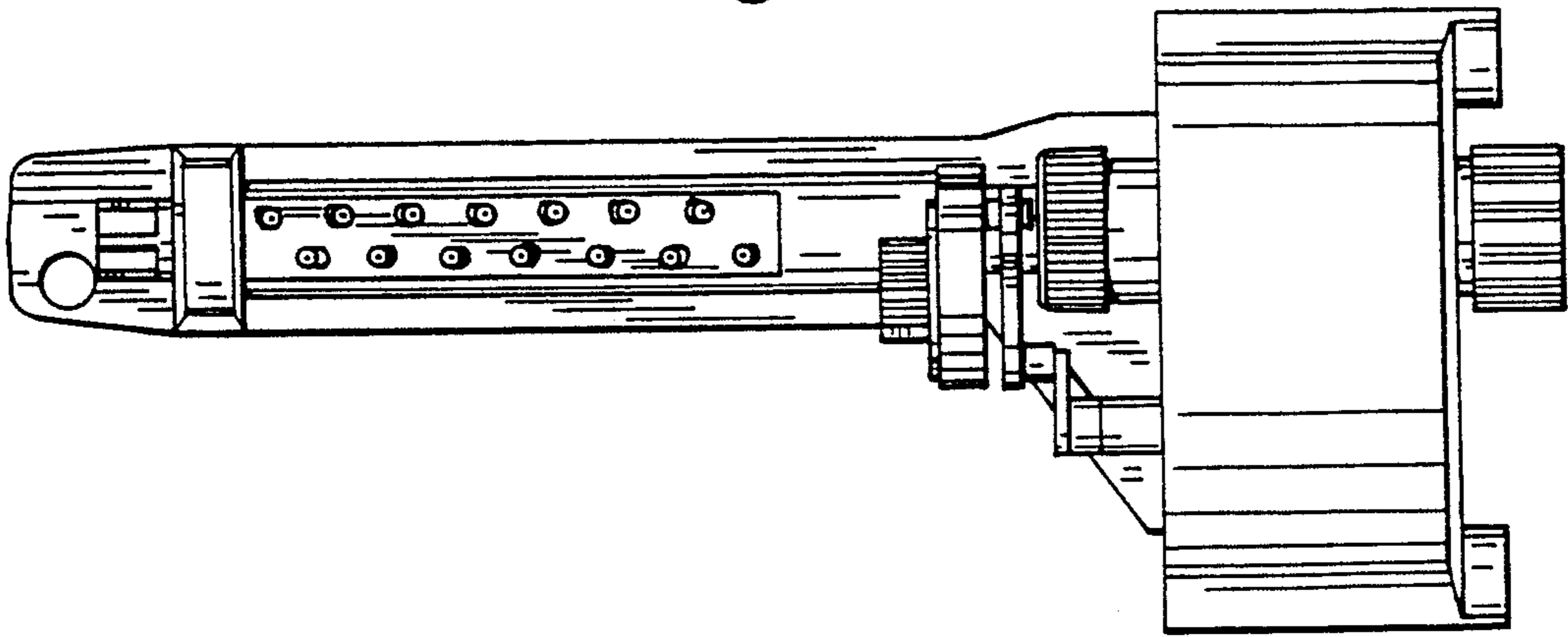


Fig. 7

