

[54] LEG CURL PHYSICAL EXERCISER

[75] Inventor: Gary A. Jones, Falmouth, Ky.

[73] Assignee: Hammer Corporation, Cincinnati, Ohio

[**] Term: 14 Years

[21] Appl. No.: 452,311

[22] Filed: Dec. 15, 1989

[52] U.S. Cl. D21/195

[58] Field of Search D21/191-199;
272/130, 131, 133, 134, 145, 137

[56] References Cited

U.S. PATENT DOCUMENTS

- D. 262,810 1/1982 Lynn D21/191
- D. 296,709 7/1988 Gvoich D21/195
- D. 306,053 2/1990 Beistegui D21/195

- D. 314,026 1/1991 Jennings D21/191
- 4,883,269 11/1989 Shaver 272/134
- 4,949,958 8/1990 Richey 272/134

Primary Examiner—Charles A. Rademaker
Attorney, Agent, or Firm—Wood, Herron & Evans

[57] CLAIM

The ornamental design for a leg curl physical exerciser, as shown and described.

DESCRIPTION

FIG. 1 is a perspective view of a leg curl physical exerciser embodying my new design.

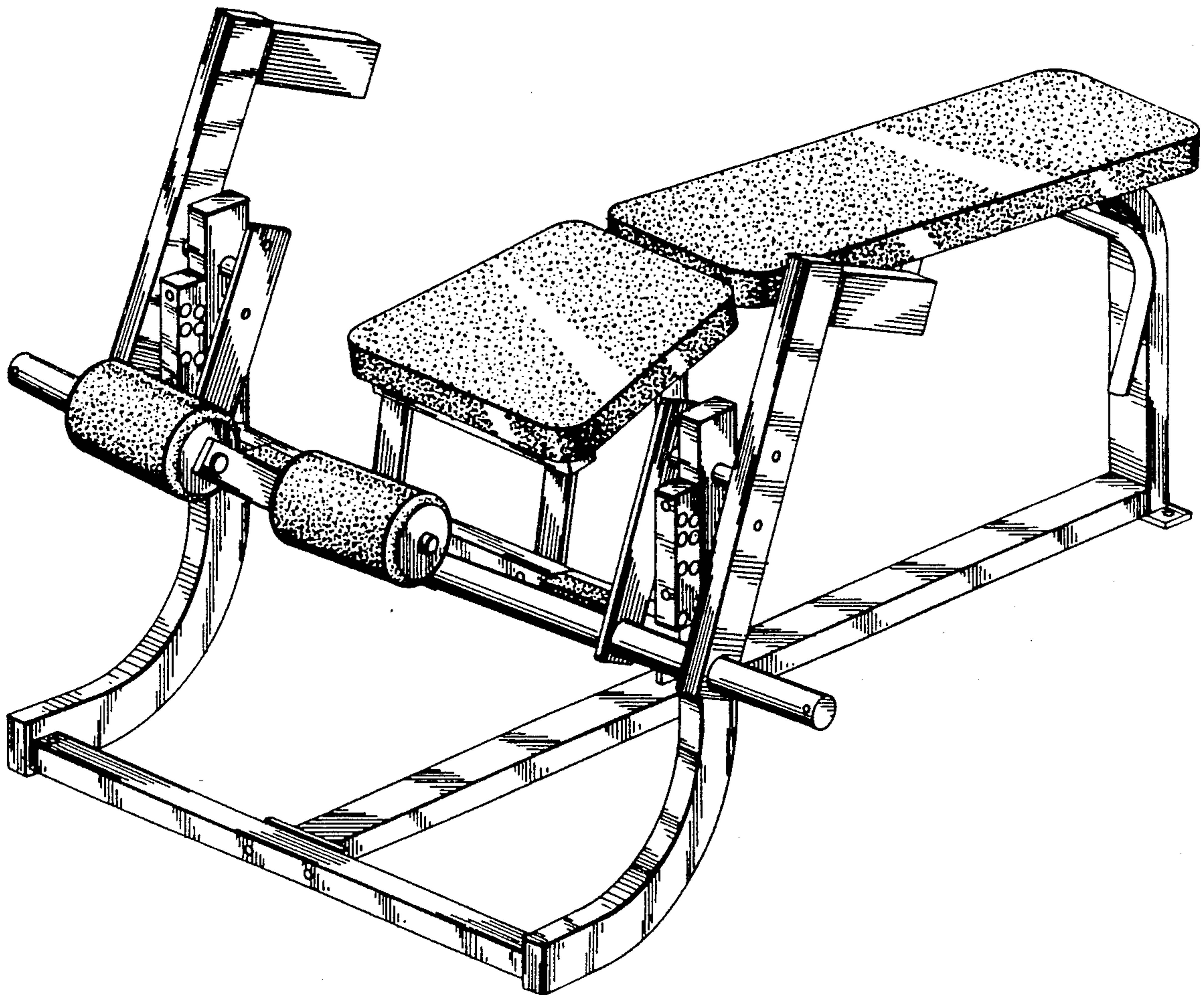
FIG. 2 is a front elevational view thereof.

FIG. 3 is a side elevational view thereof, the opposite side being a mirror image thereof.

FIG. 4 is a rear elevational view thereof.

FIG. 5 is a top plan view thereof.

FIG. 6 is a bottom plan view thereof.



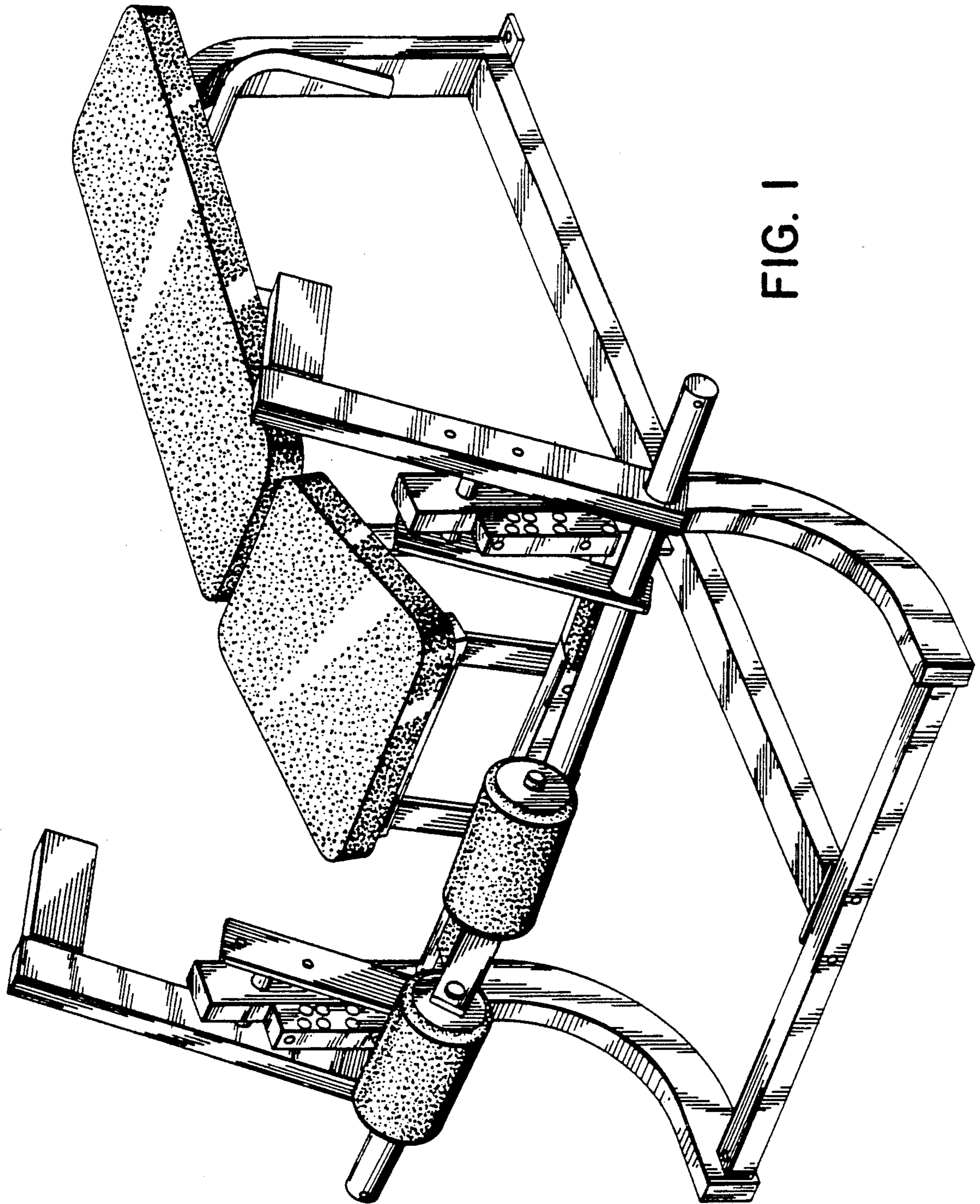


FIG. 1

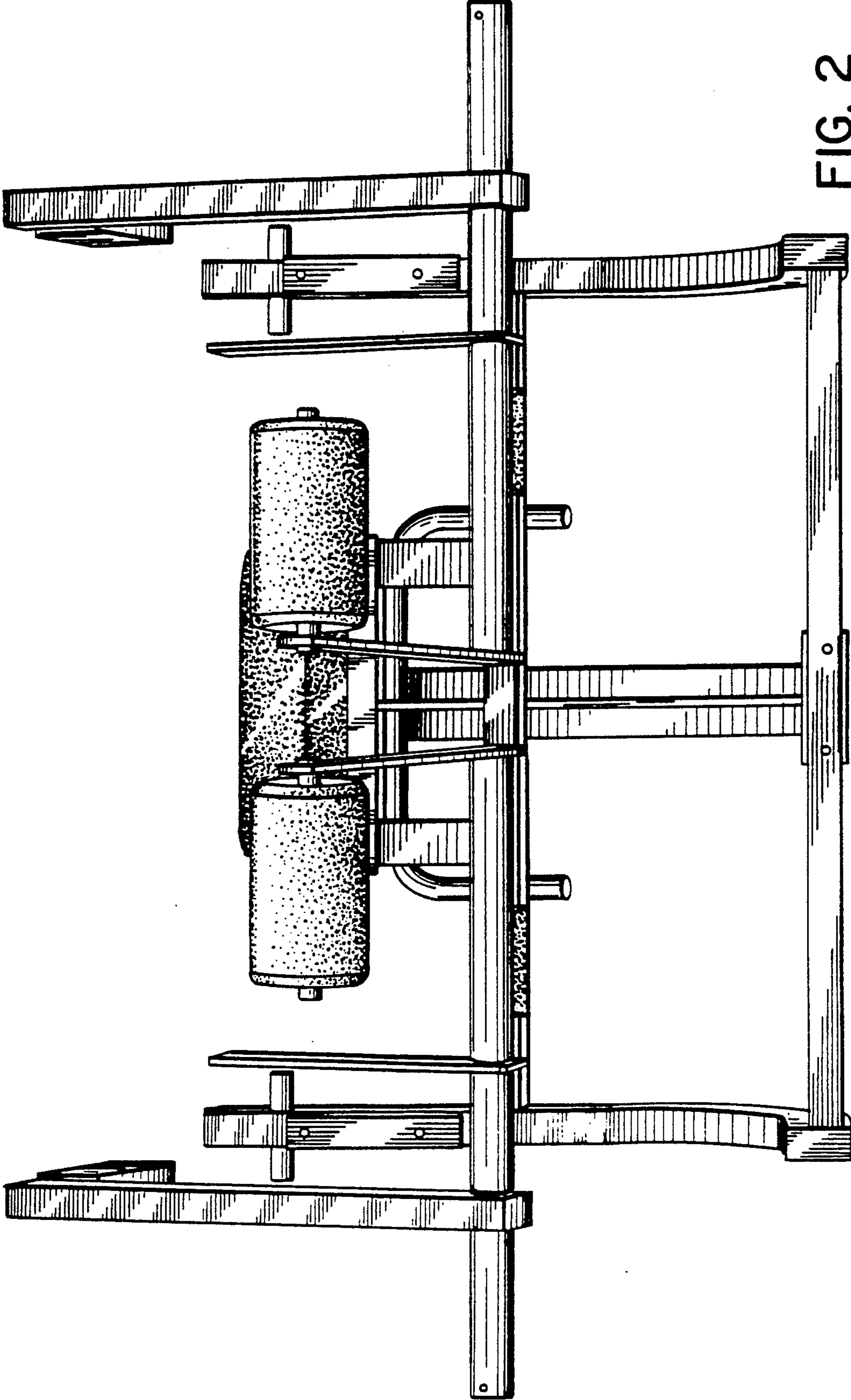


FIG. 2

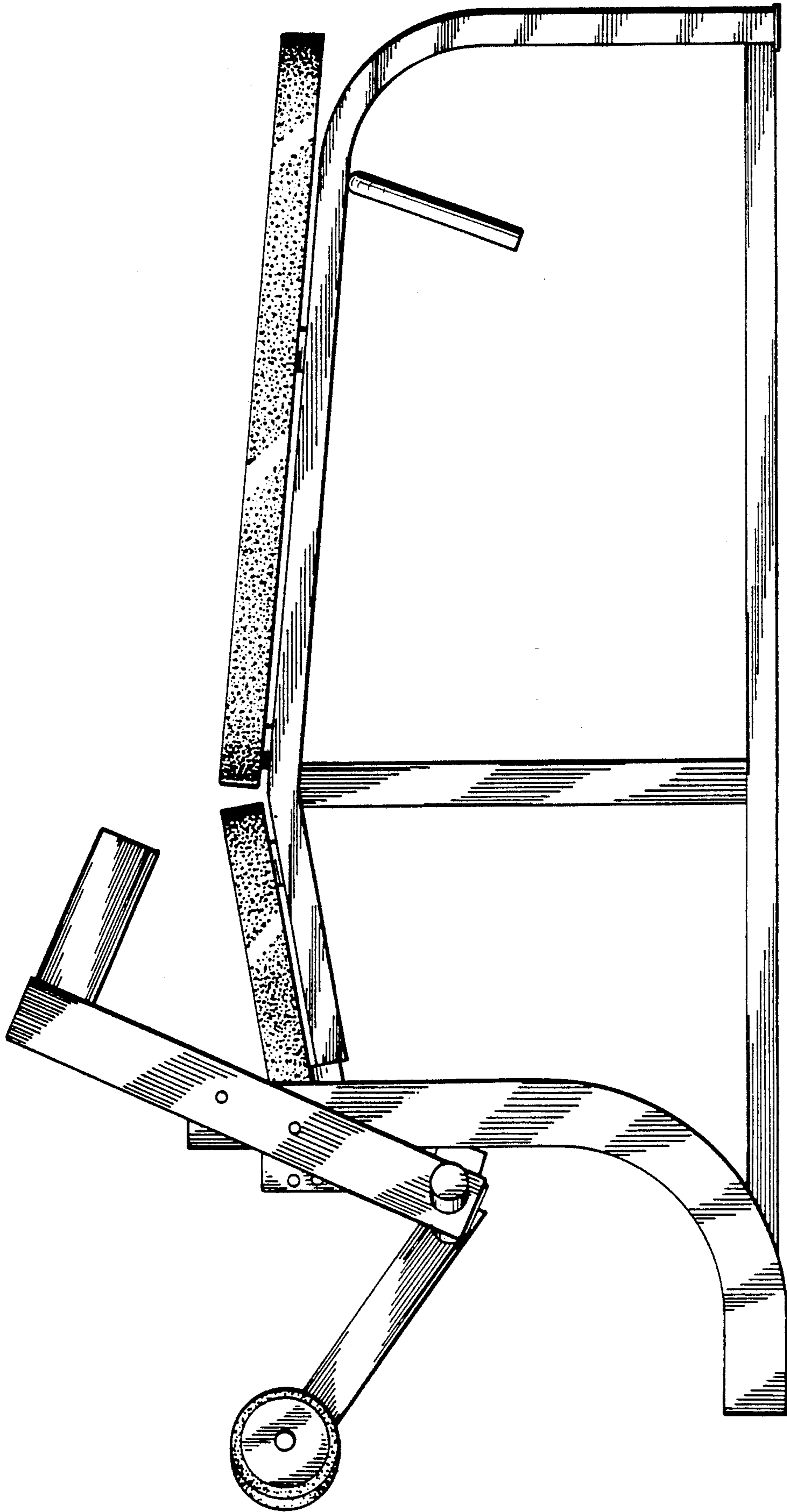


FIG. 3

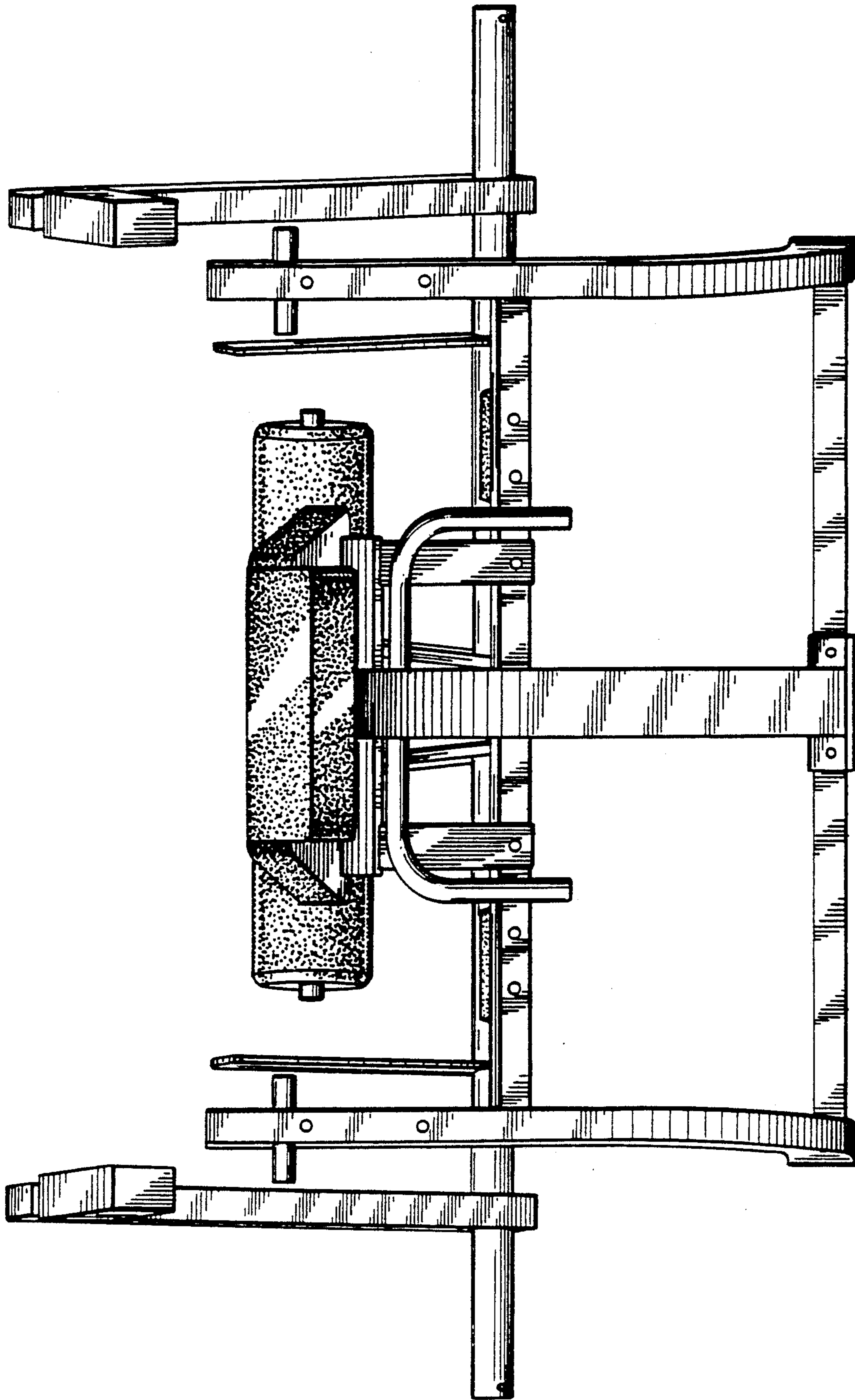


FIG. 4

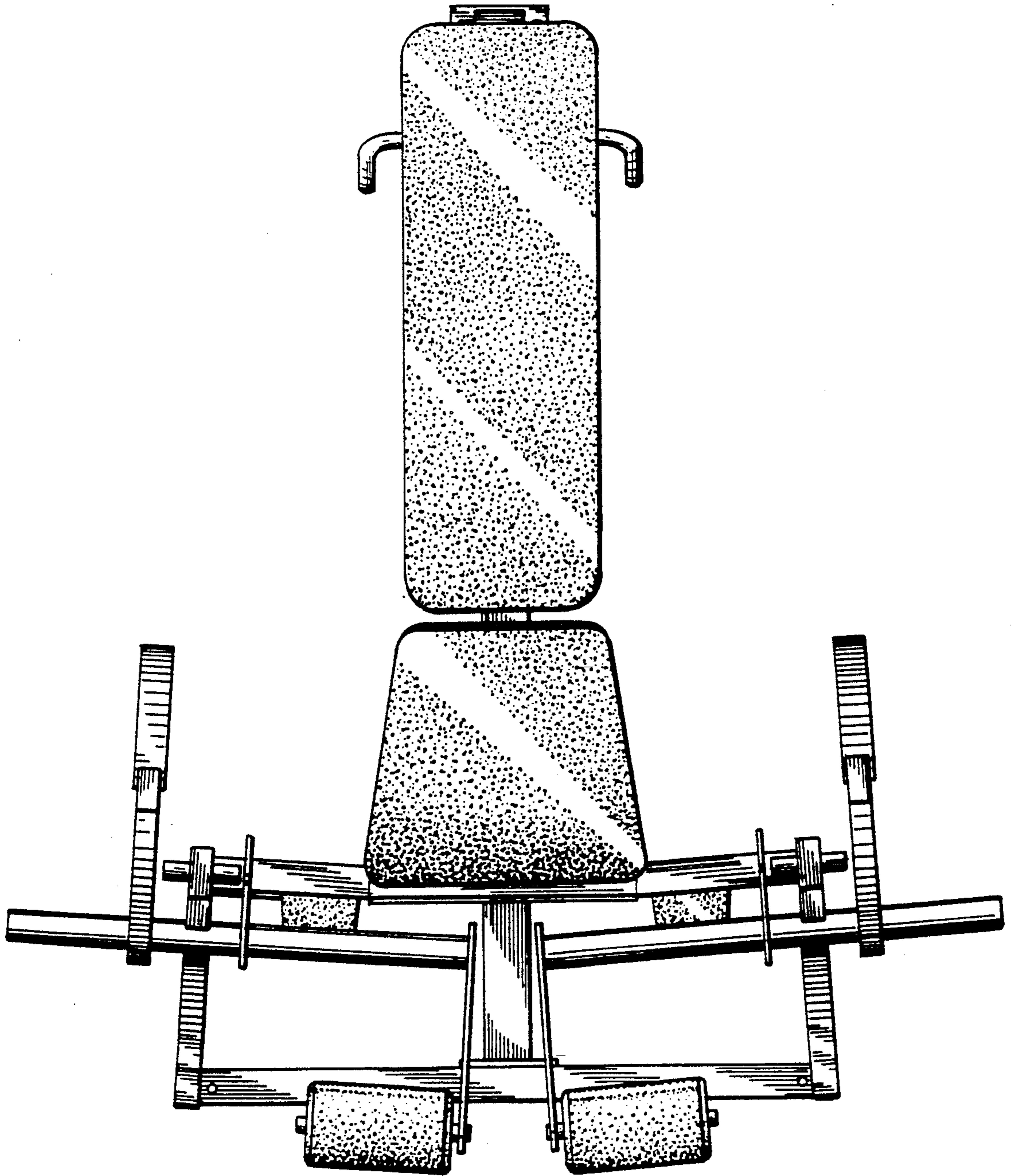


FIG. 5

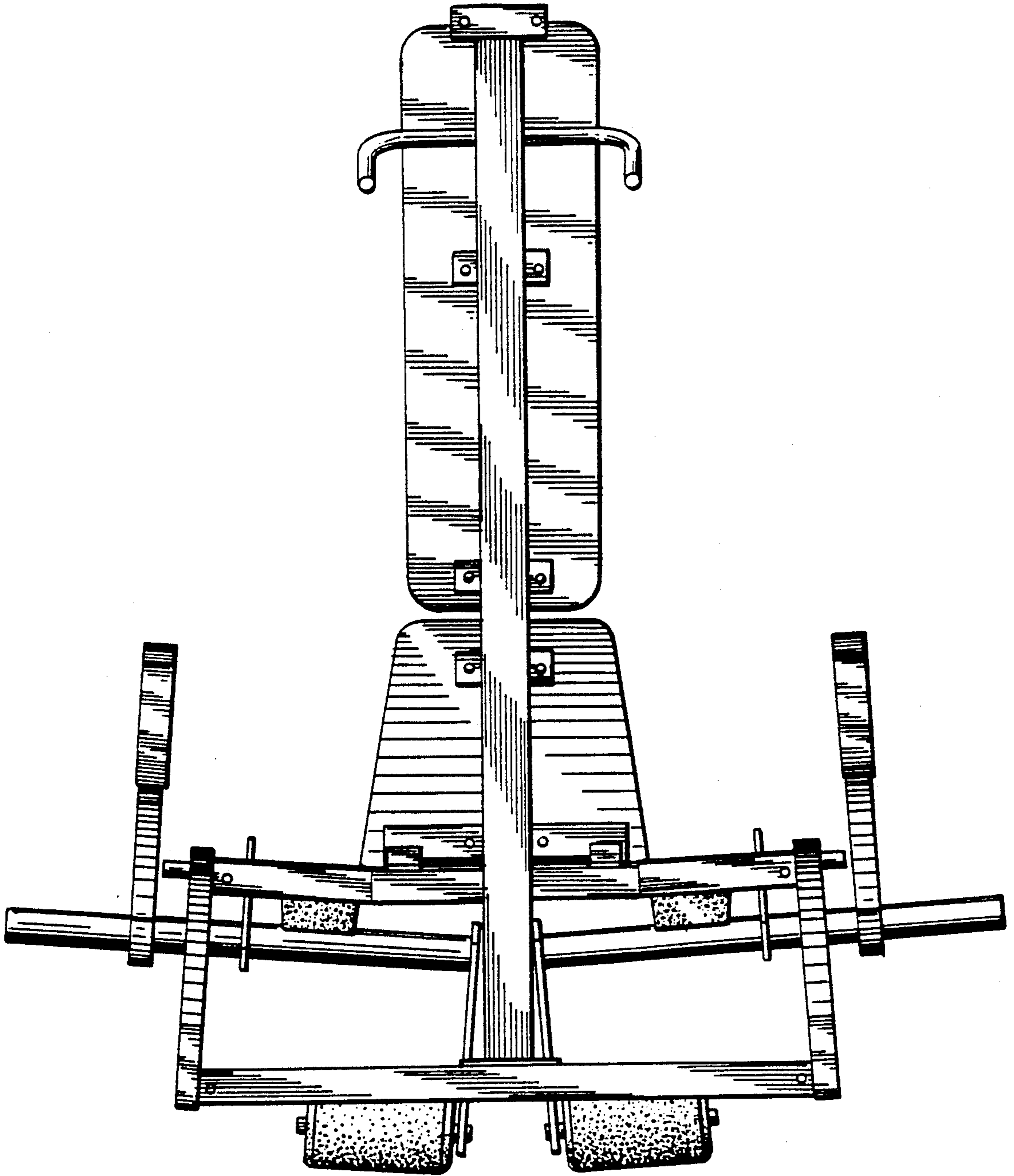


FIG. 6