

[54] LEG PRESS PHYSICAL EXERCISER

D. 314,026 1/1991 Jennings ..... D21/191  
4,915,378 4/1990 Abrahamian et al. .... 272/130  
4,923,195 5/1990 Calderone ..... 272/134

[75] Inventor: Gary A. Jones, Falmouth, Ky.

[73] Assignee: Hammer Corporation, Cincinnati, Ohio

Primary Examiner—Charles A. Rademaker  
Attorney, Agent, or Firm—Wood, Herron & Evans

[\*\*] Term: 14 Years

[57] CLAIM

[21] Appl. No.: 451,355

The ornamental design for a leg press physical exerciser, as shown and described.

[22] Filed: Dec. 15, 1989

DESCRIPTION

[52] U.S. Cl. .... D21/195

[58] Field of Search ..... D21/191-199;  
272/130, 131, 133, 134, 145, 137

FIG. 1 is a perspective view of a leg press physical exerciser embodying my new design.

FIG. 2 is a front elevational view thereof.

FIG. 3 is a side elevational view thereof, the opposite side being a mirror image thereof.

FIG. 4 is a rear elevational view thereof.

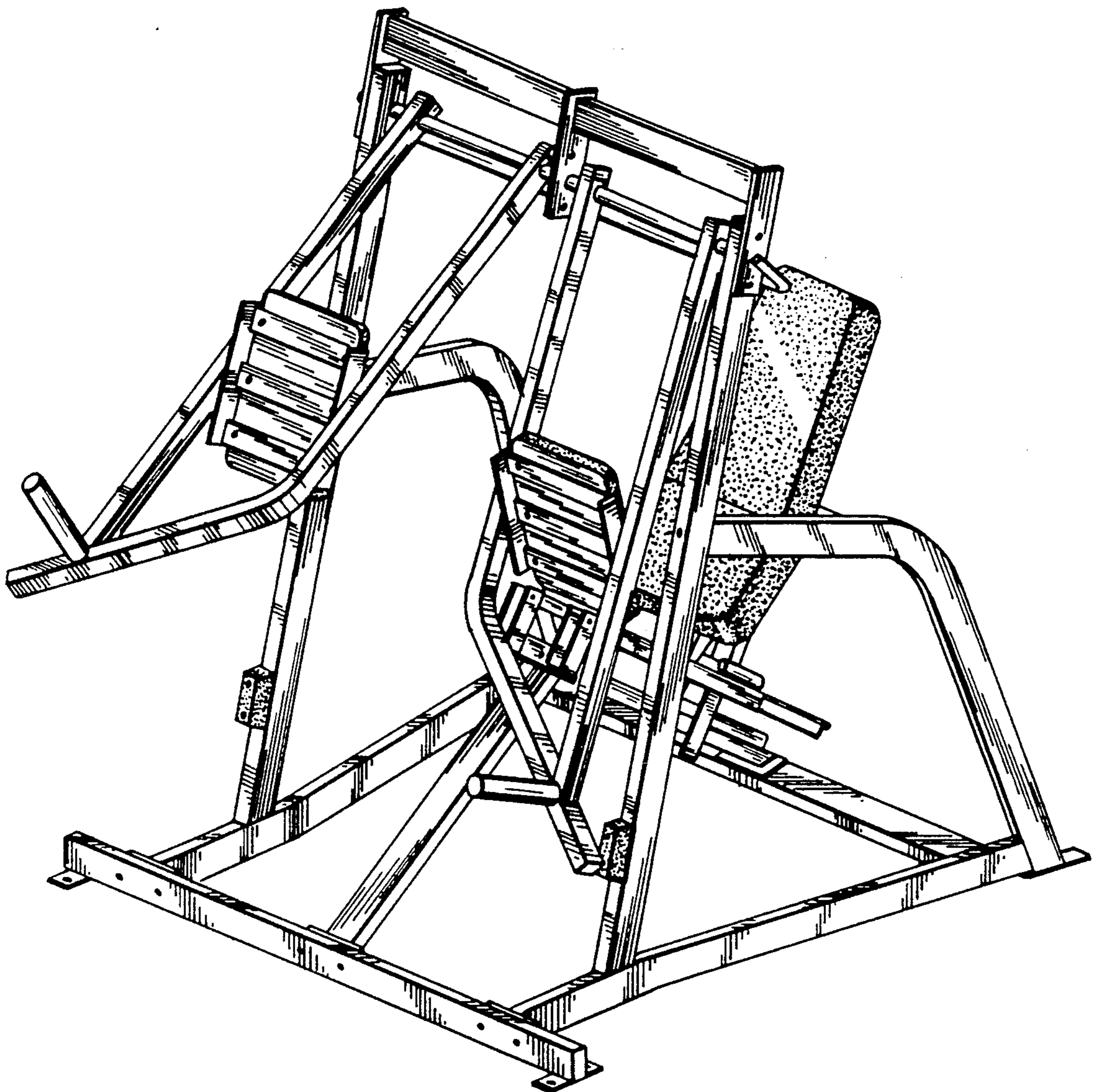
FIG. 5 is a top plan view thereof.

FIG. 6 is a bottom plan view thereof.

[56] References Cited

U.S. PATENT DOCUMENTS

D. 300,048 2/1989 Grider ..... D21/191  
D. 303,558 9/1989 Alessandri ..... D21/195



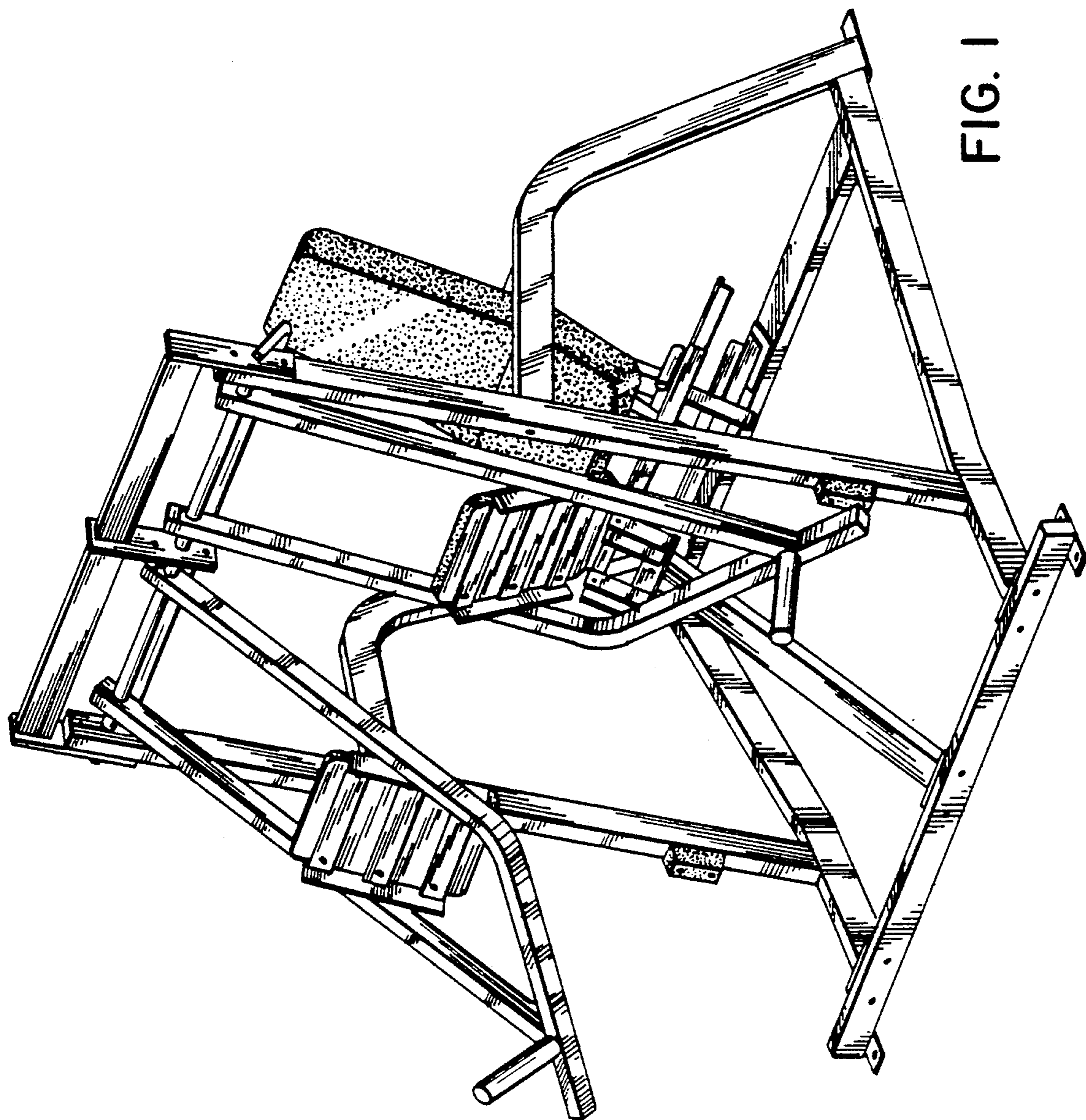


FIG. 1

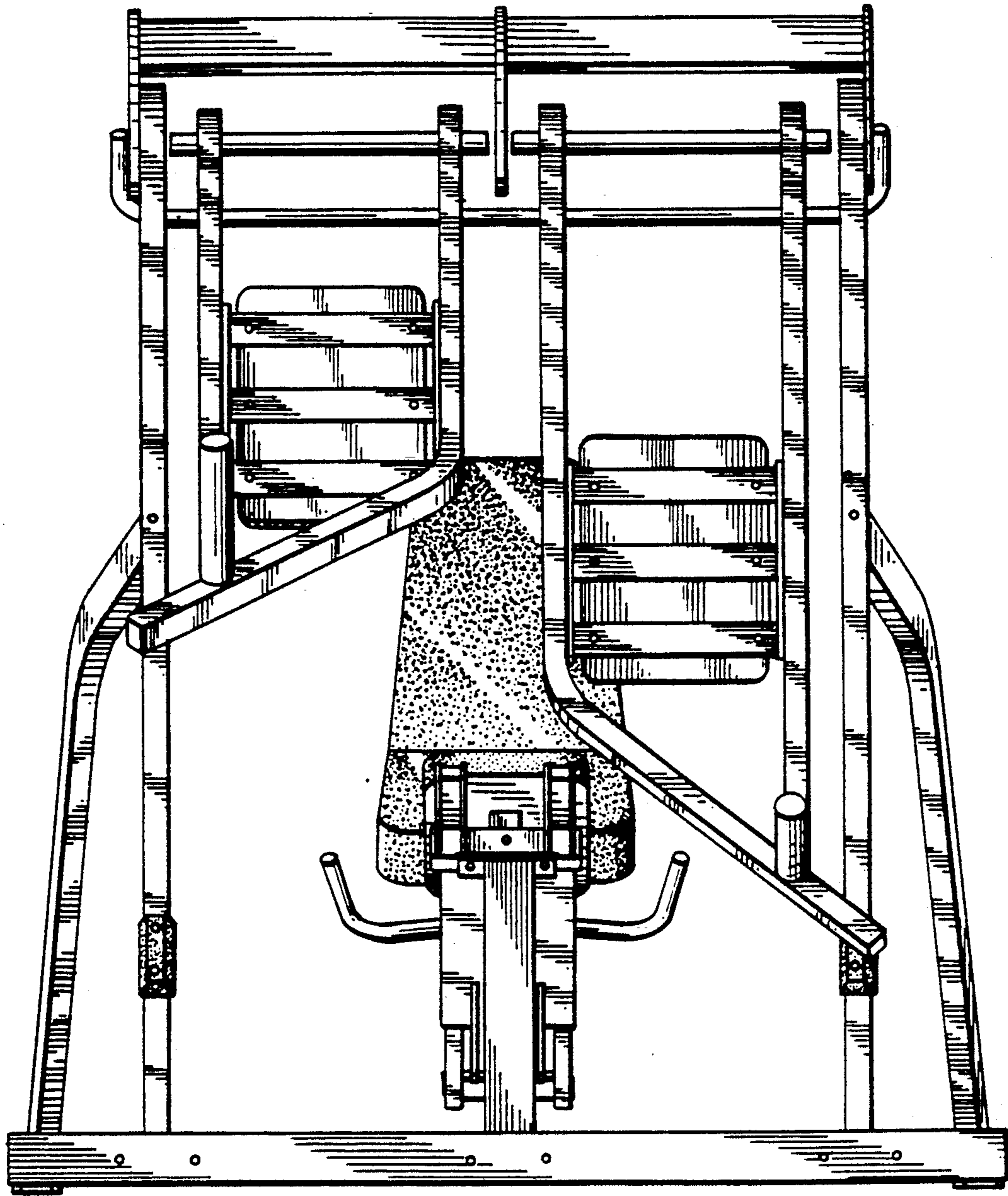
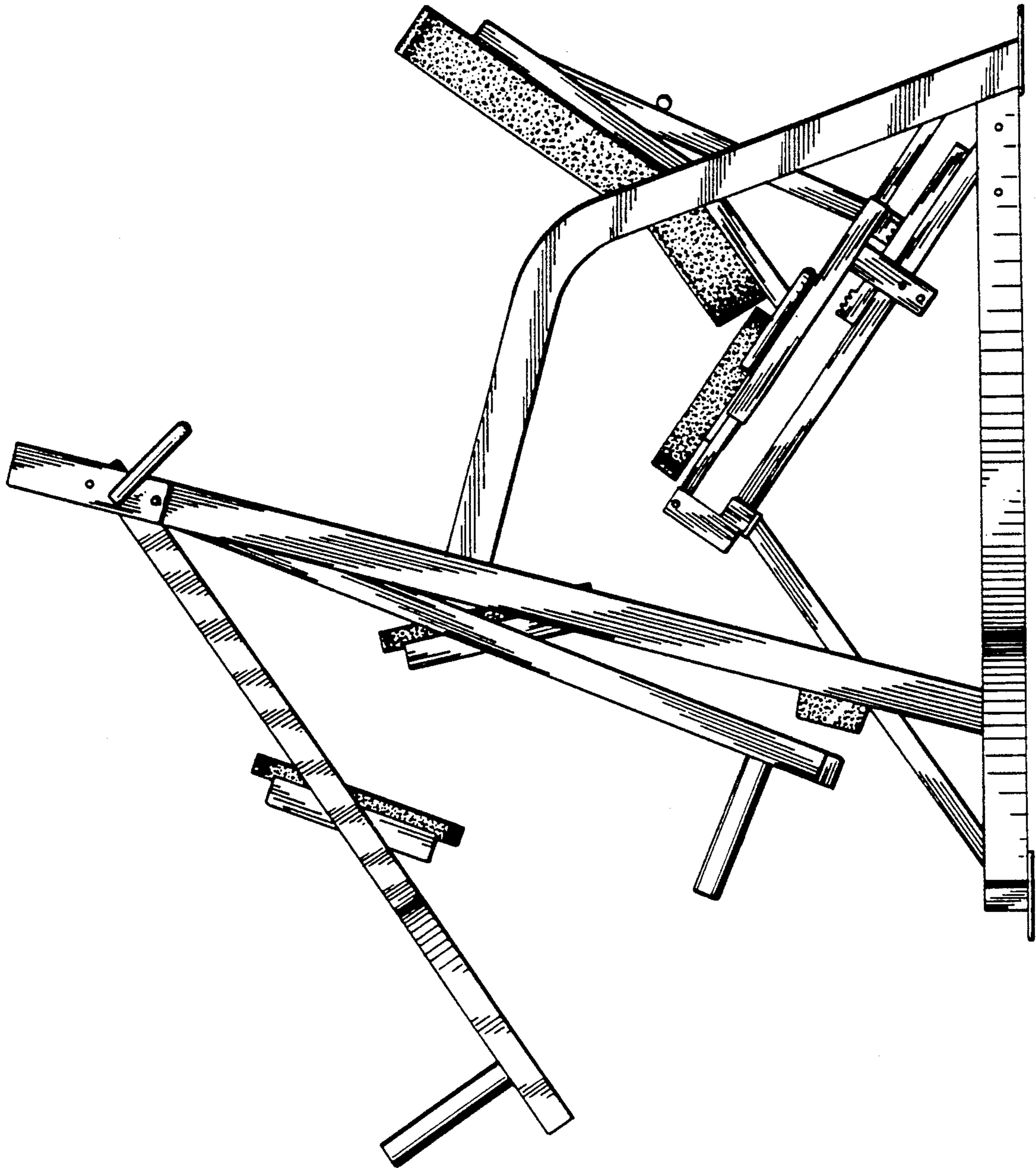


FIG. 2

FIG. 3



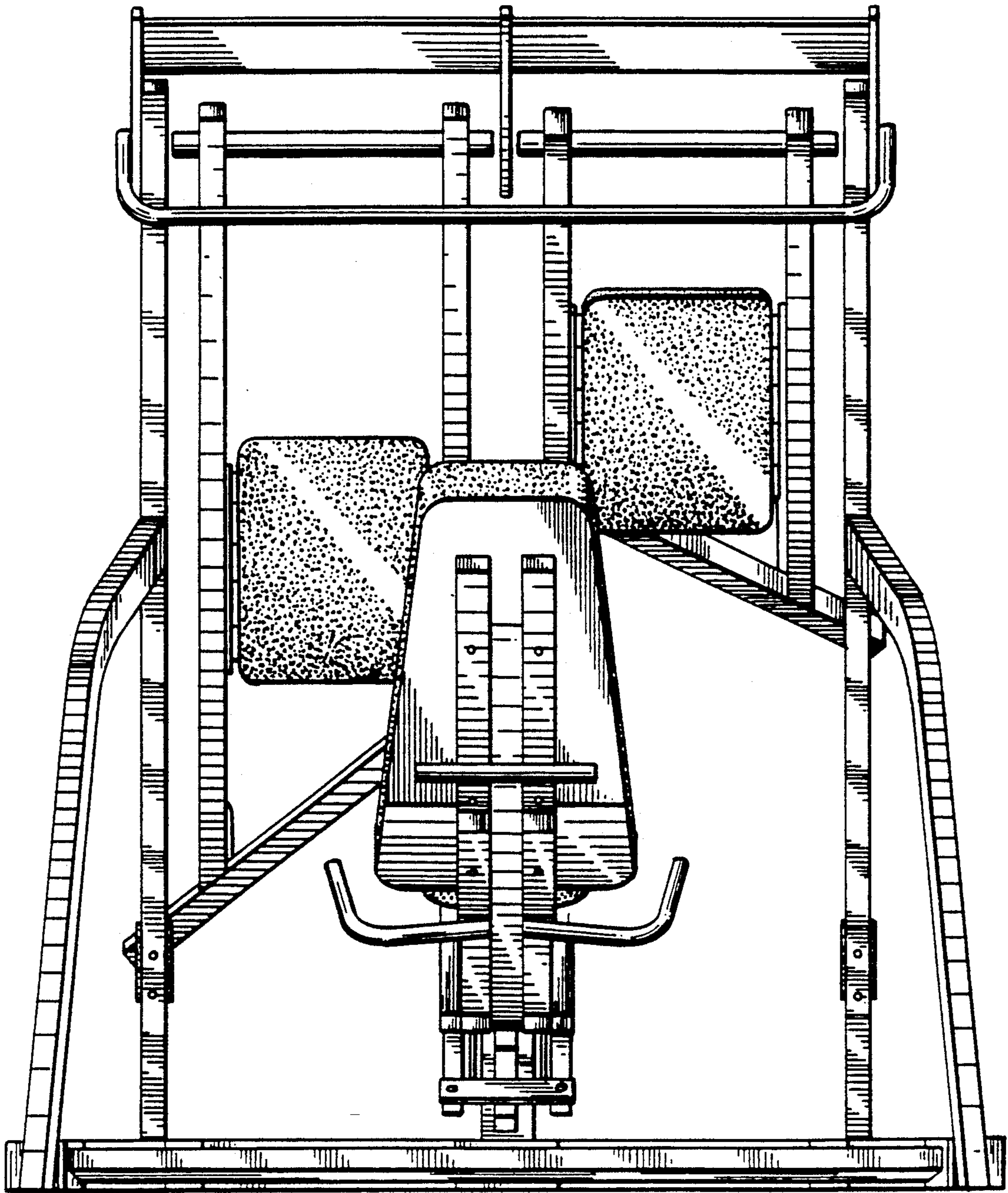


FIG. 4

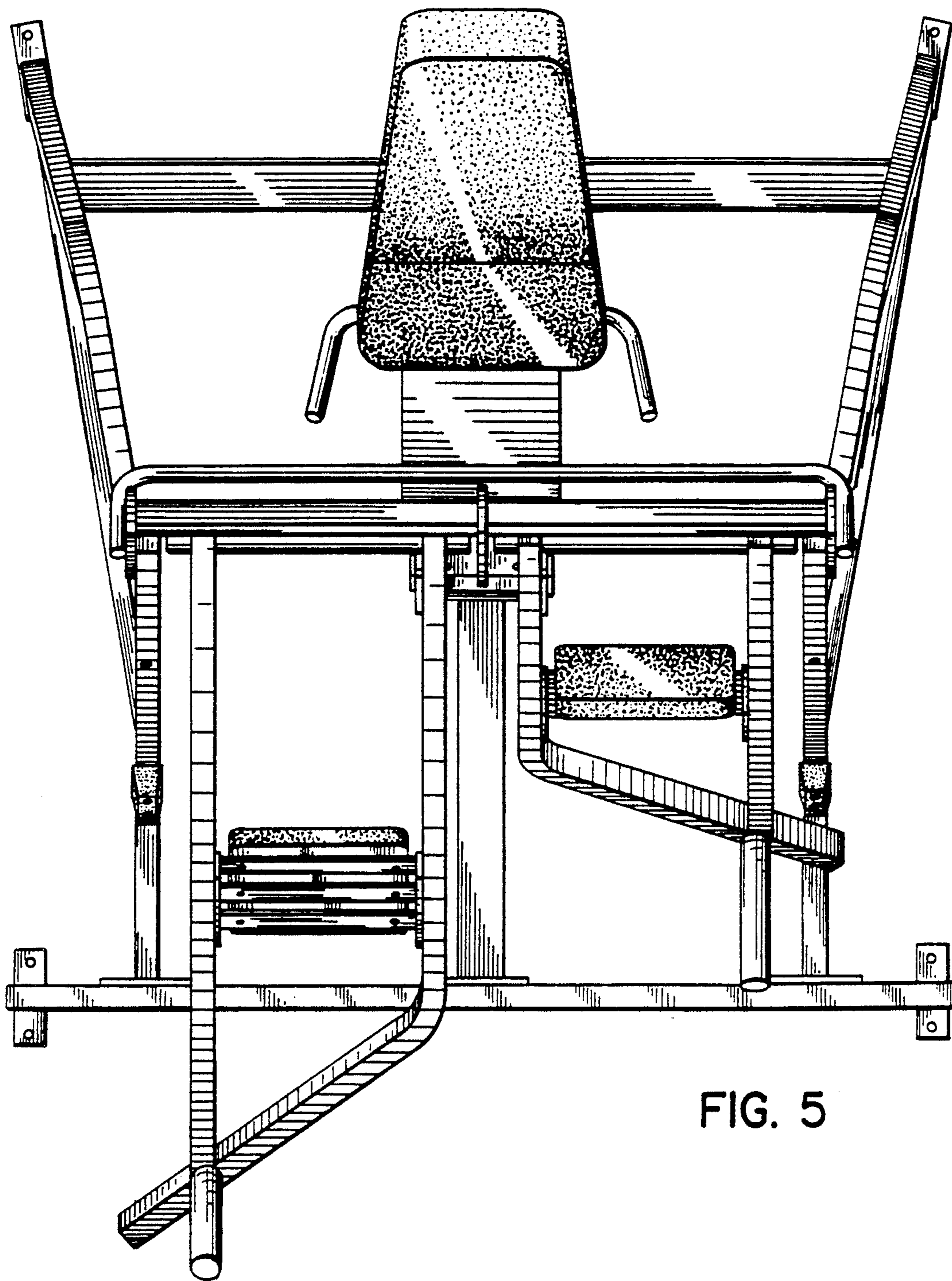


FIG. 5

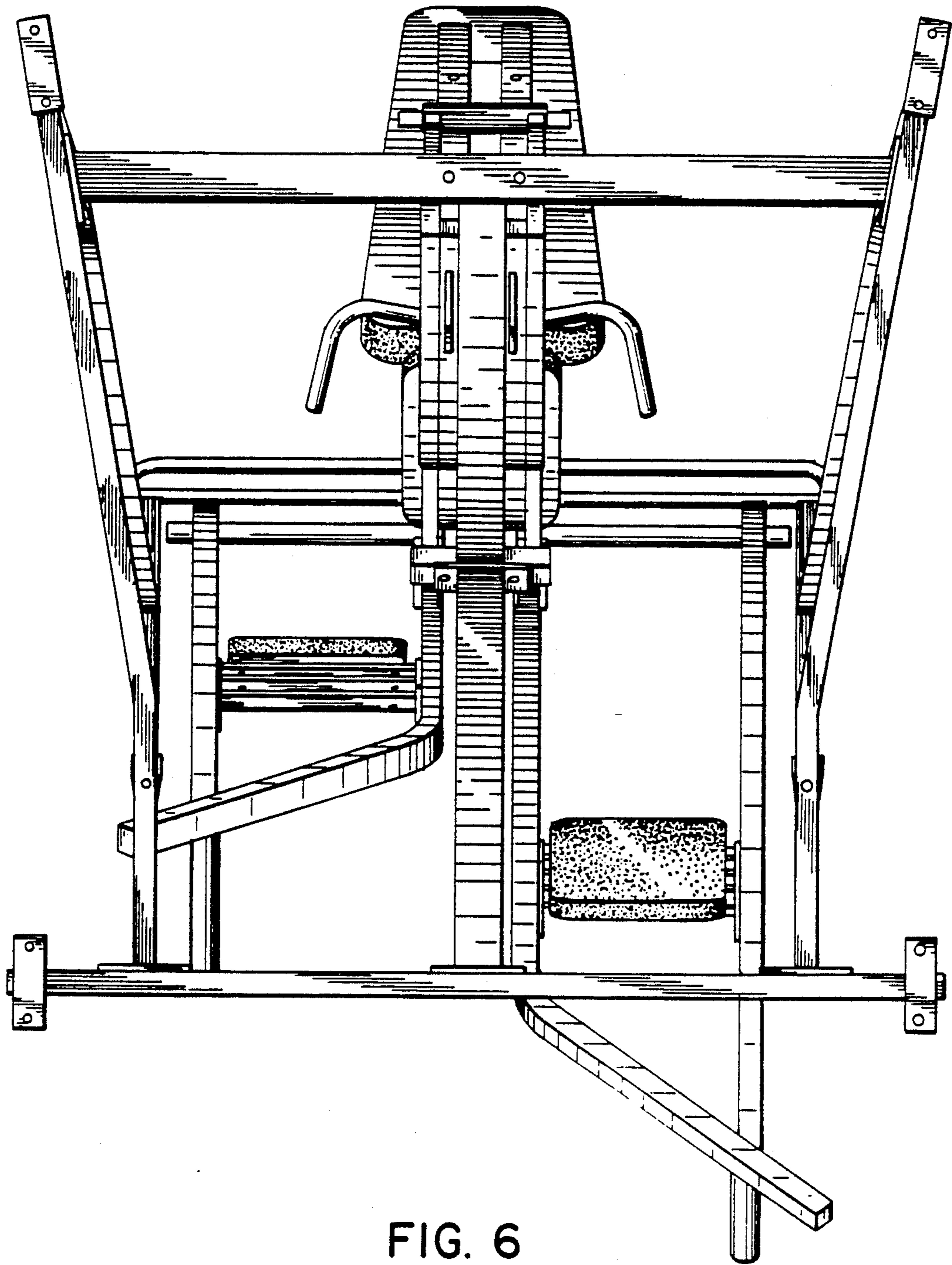


FIG. 6