

[54] LEG EXTENSION PHYSICAL EXERCISER

[75] Inventor: Gary A. Jones, Falmouth, Ky.

[73] Assignee: Hammer Corporation, Cincinnati, Ohio

[\*\*] Term: 14 Years

[21] Appl. No.: 451,354

[22] Filed: Dec. 15, 1989

[52] U.S. Cl. .... D21/195

[58] Field of Search ..... D21/191-199;  
272/130, 131, 133, 134, 145, 137

[56] References Cited

U.S. PATENT DOCUMENTS

- D. 284,297 6/1986 Mahnke ..... D21/195
- D. 297,959 10/1988 Dyer et al. .... D21/195
- D. 306,053 2/1990 Beistegui ..... D21/195

- D. 314,026 1/1991 Jennings ..... D21/191
- 4,883,269 11/1989 Shauer ..... 272/134
- 4,923,195 5/1990 Calderone ..... 272/134

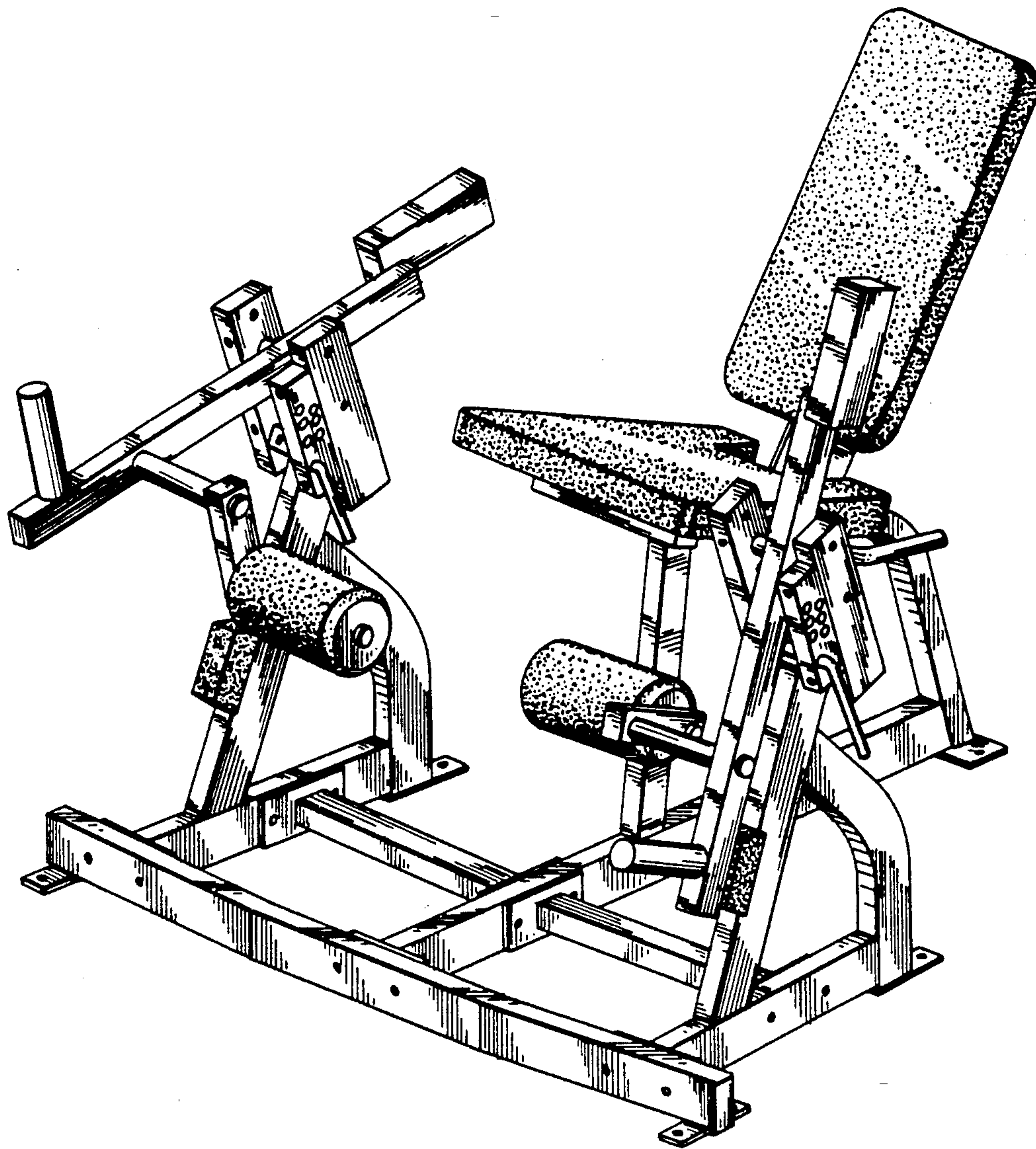
Primary Examiner—Charles A. Rademaker  
Attorney, Agent, or Firm—Wood, Herron & Evans

[57] CLAIM

The ornamental design for a leg extension physical exerciser, as shown and described.

DESCRIPTION

FIG. 1 is a perspective view of a leg extension physical exerciser embodying my new design.  
 FIG. 2 is a front elevational view thereof.  
 FIG. 3 is a side elevational view of one side thereof.  
 FIG. 4 is a rear elevational view thereof.  
 FIG. 5 is a side elevational view of the opposite side from FIG. 3 thereof.  
 FIG. 6 is a top plan view thereof.  
 FIG. 7 is a bottom plan view thereof.



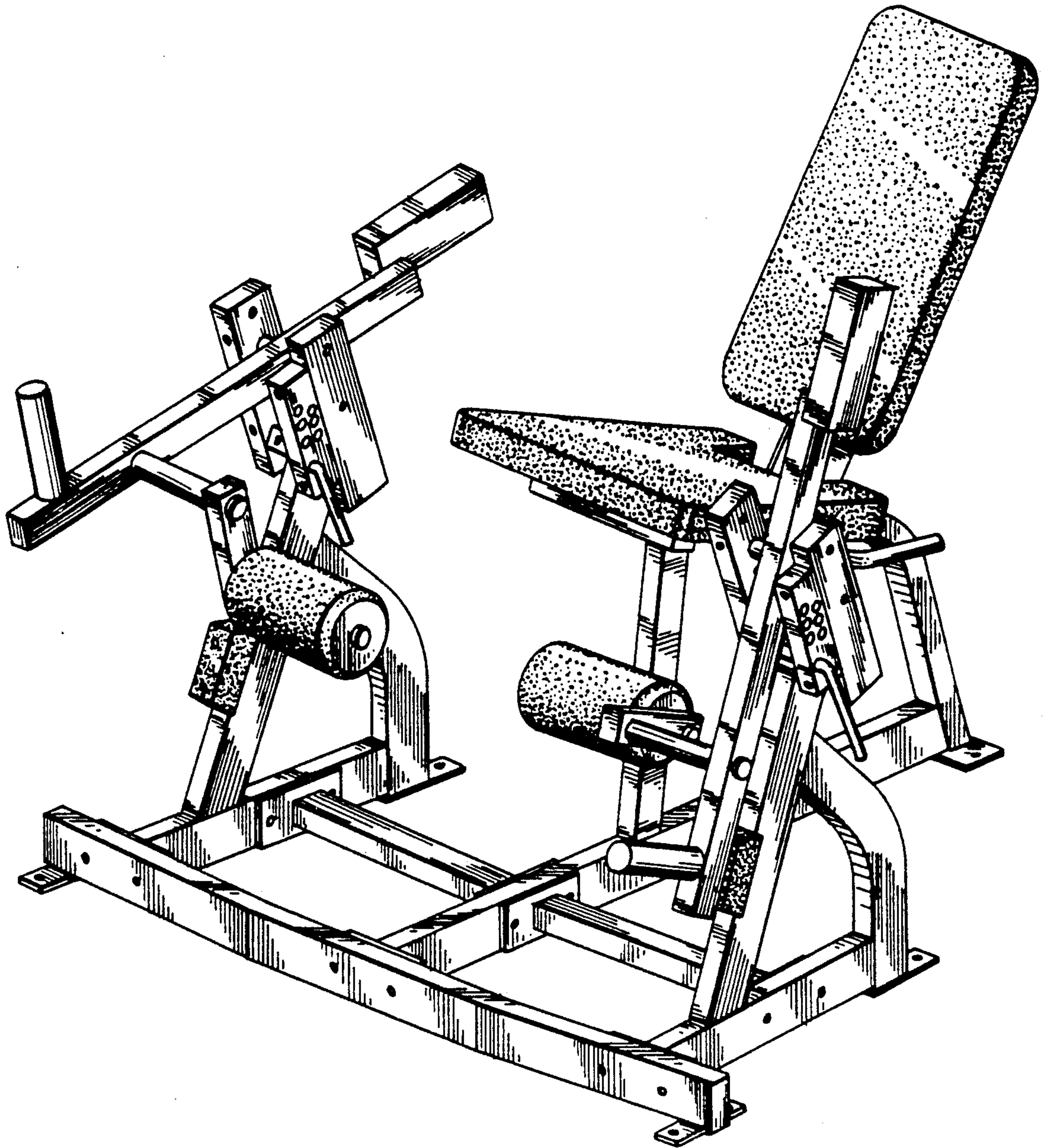


FIG. 1



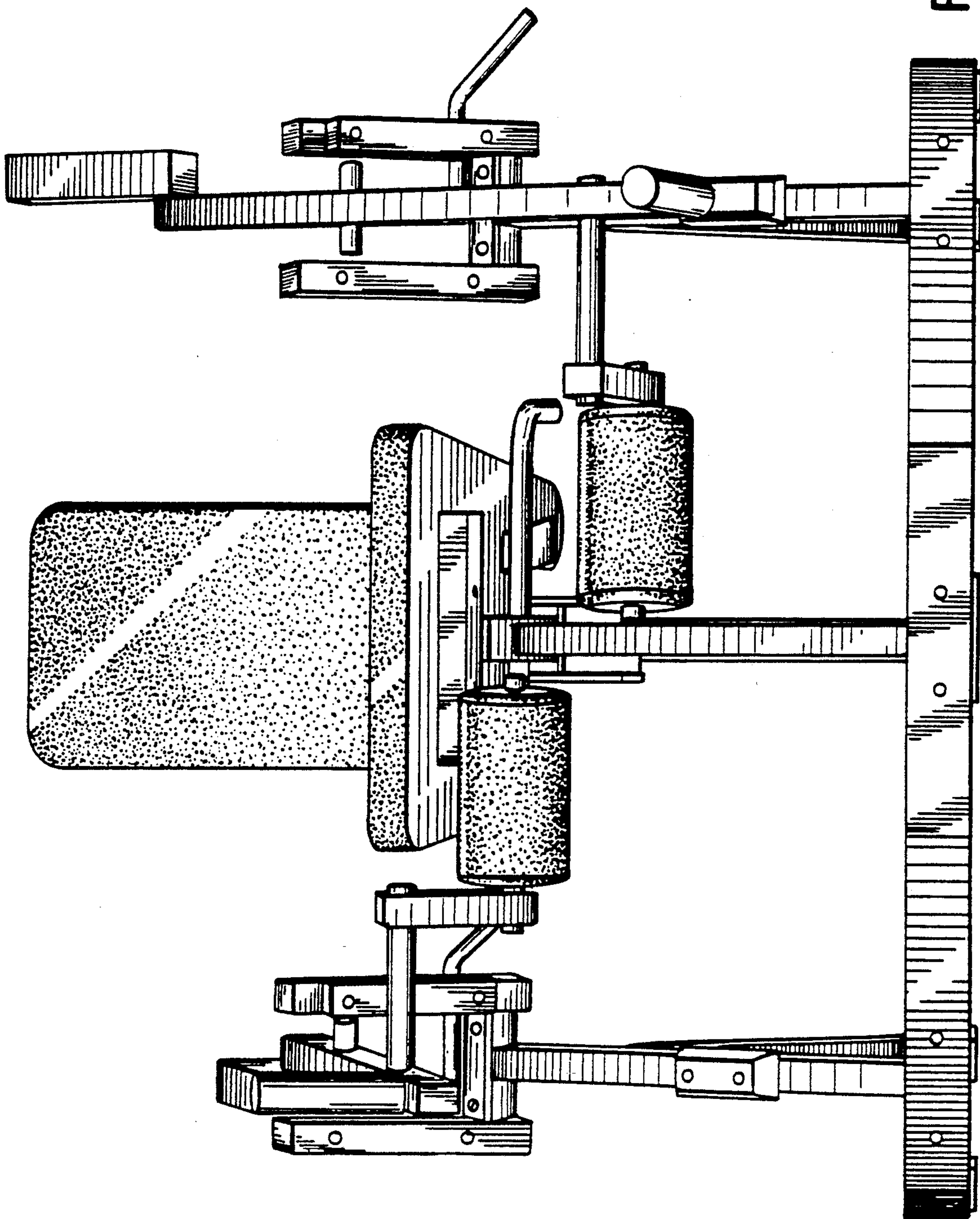


FIG. 2

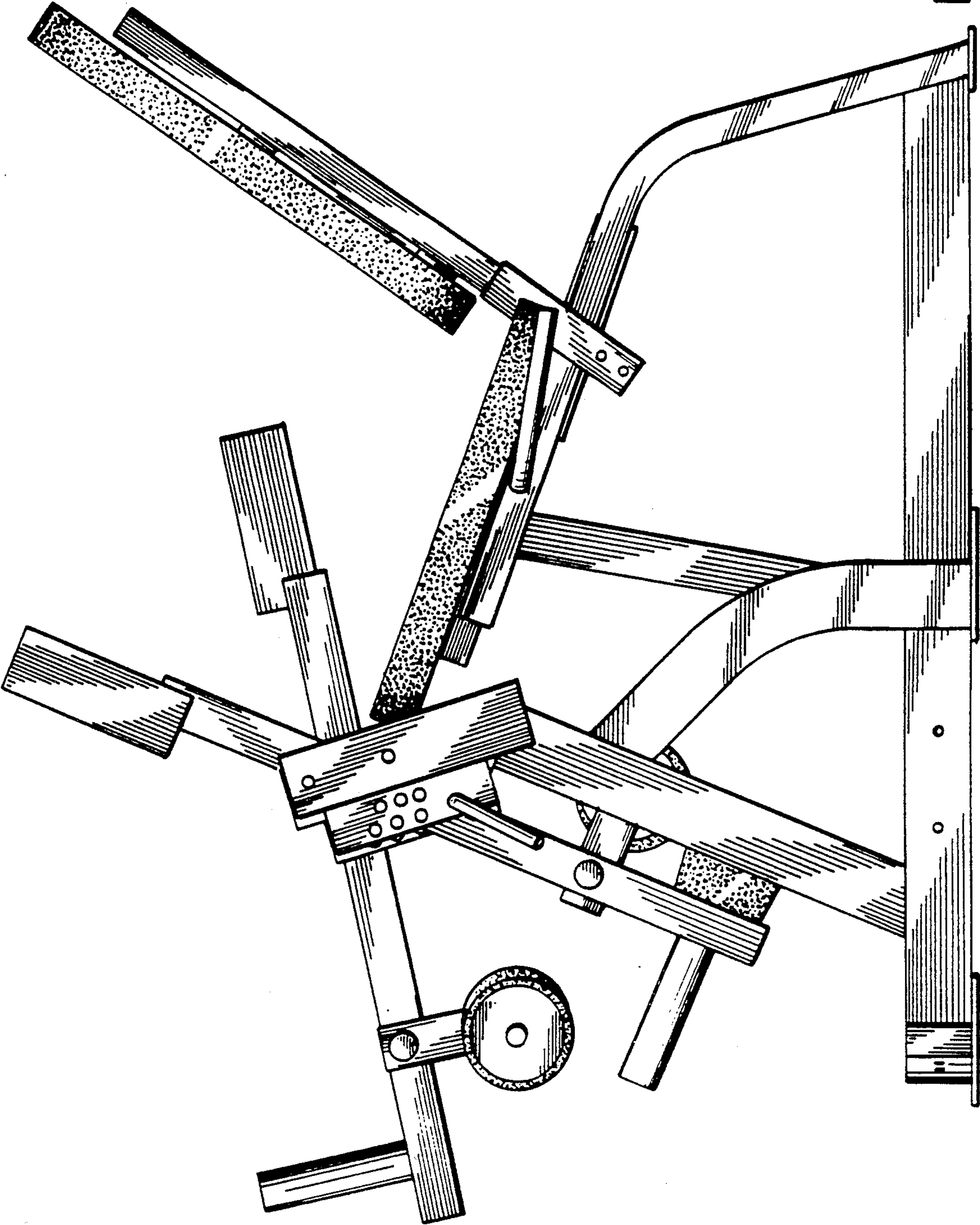


FIG. 3

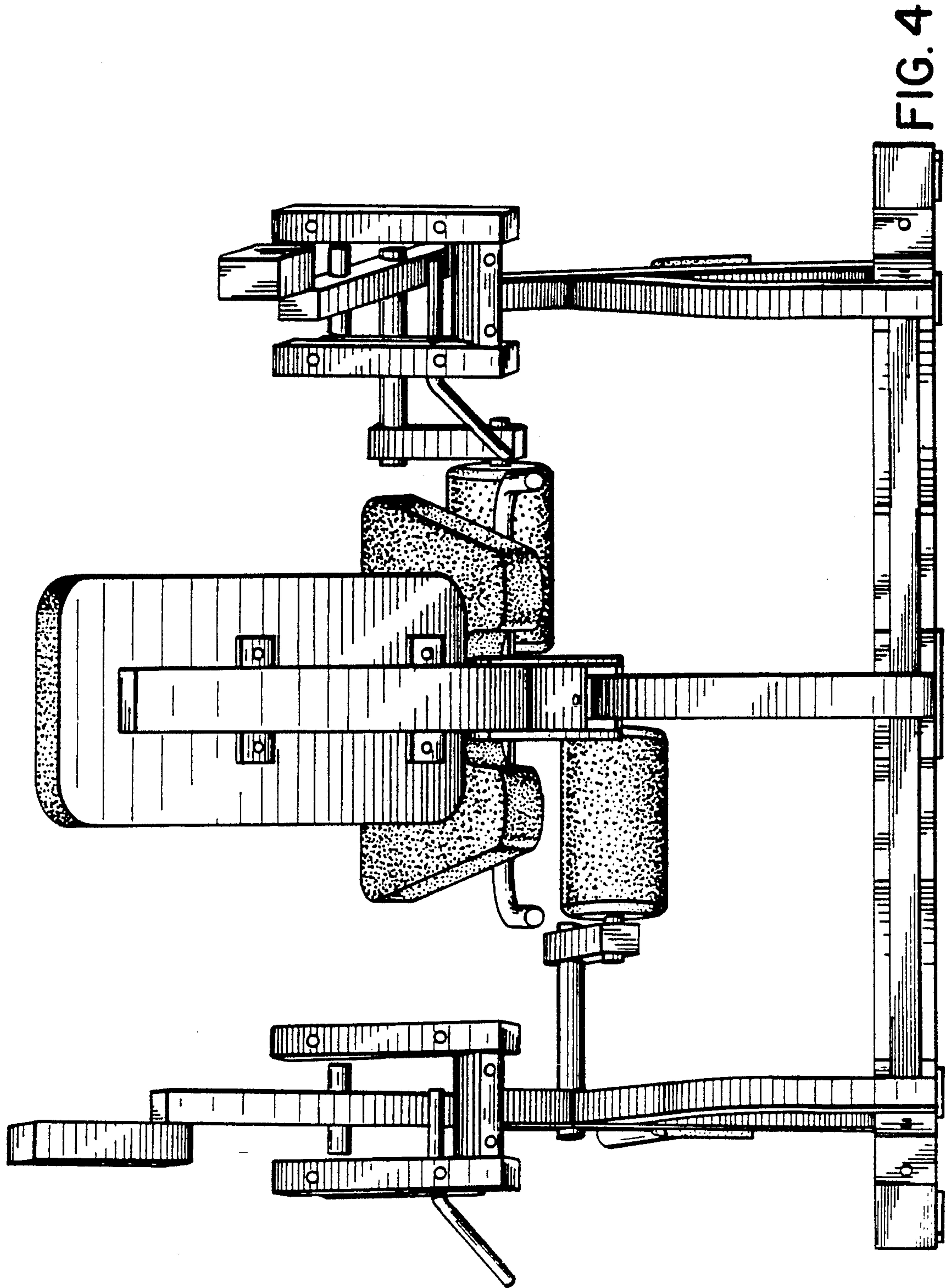


FIG. 4



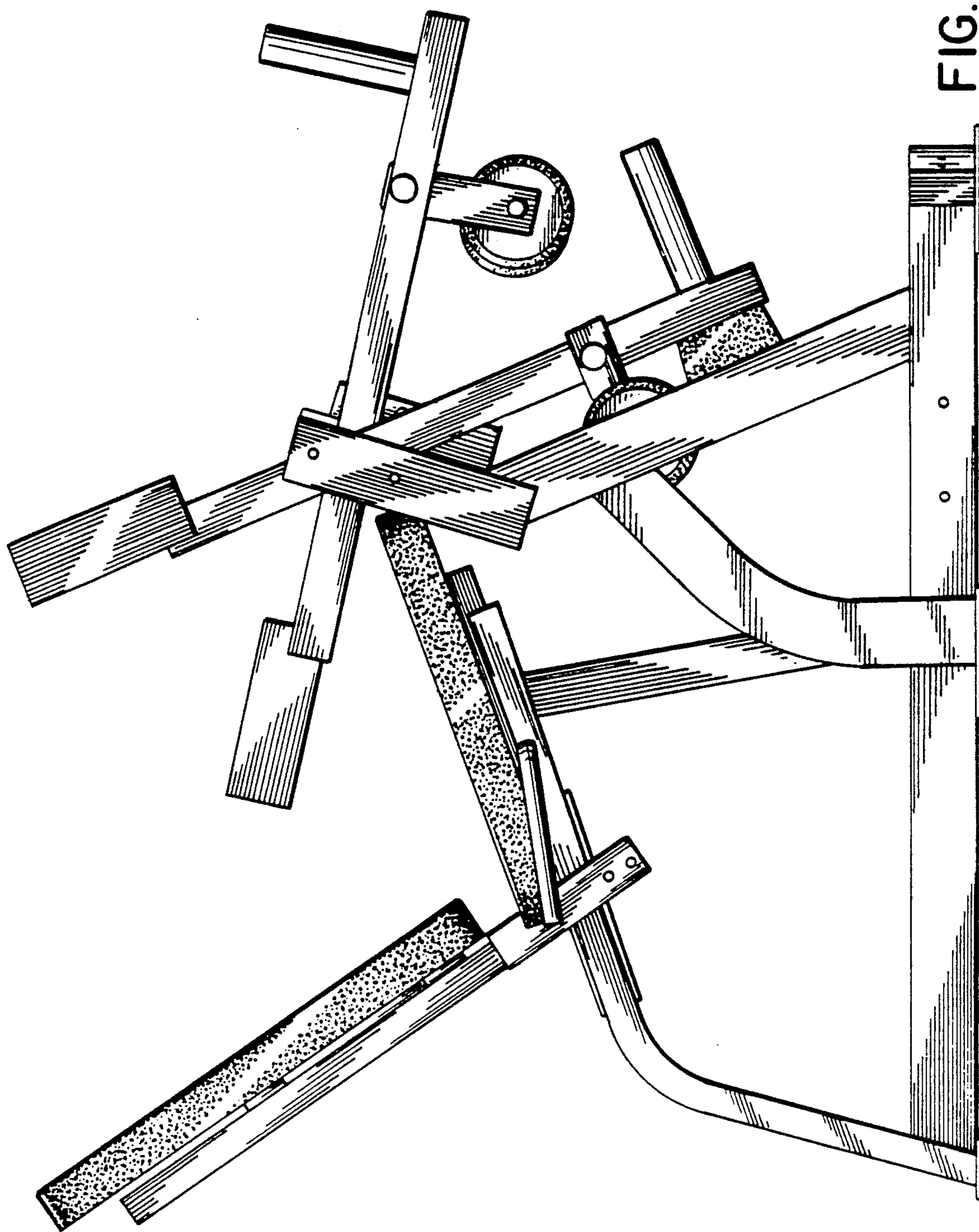


FIG. 5

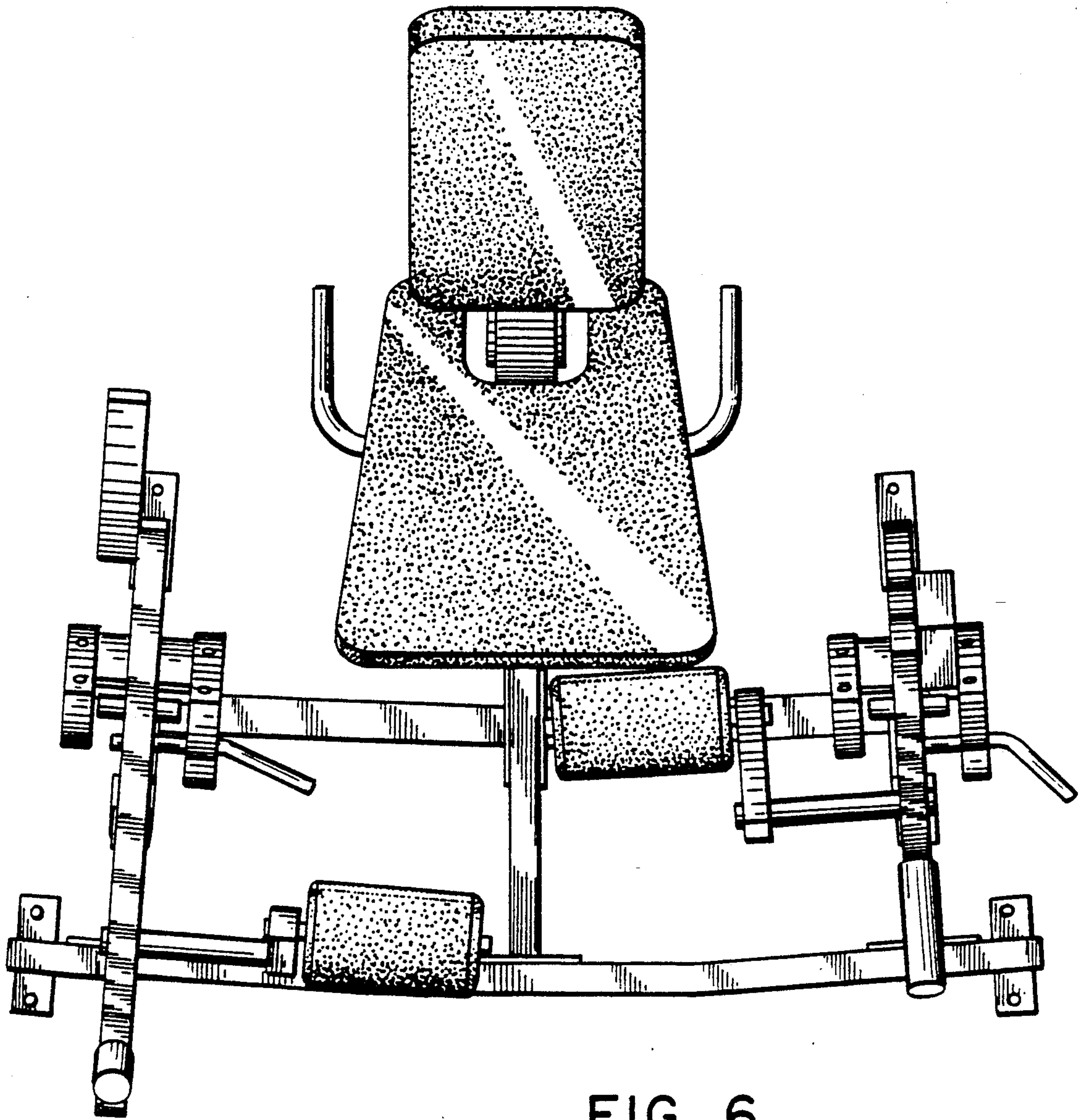


FIG. 6

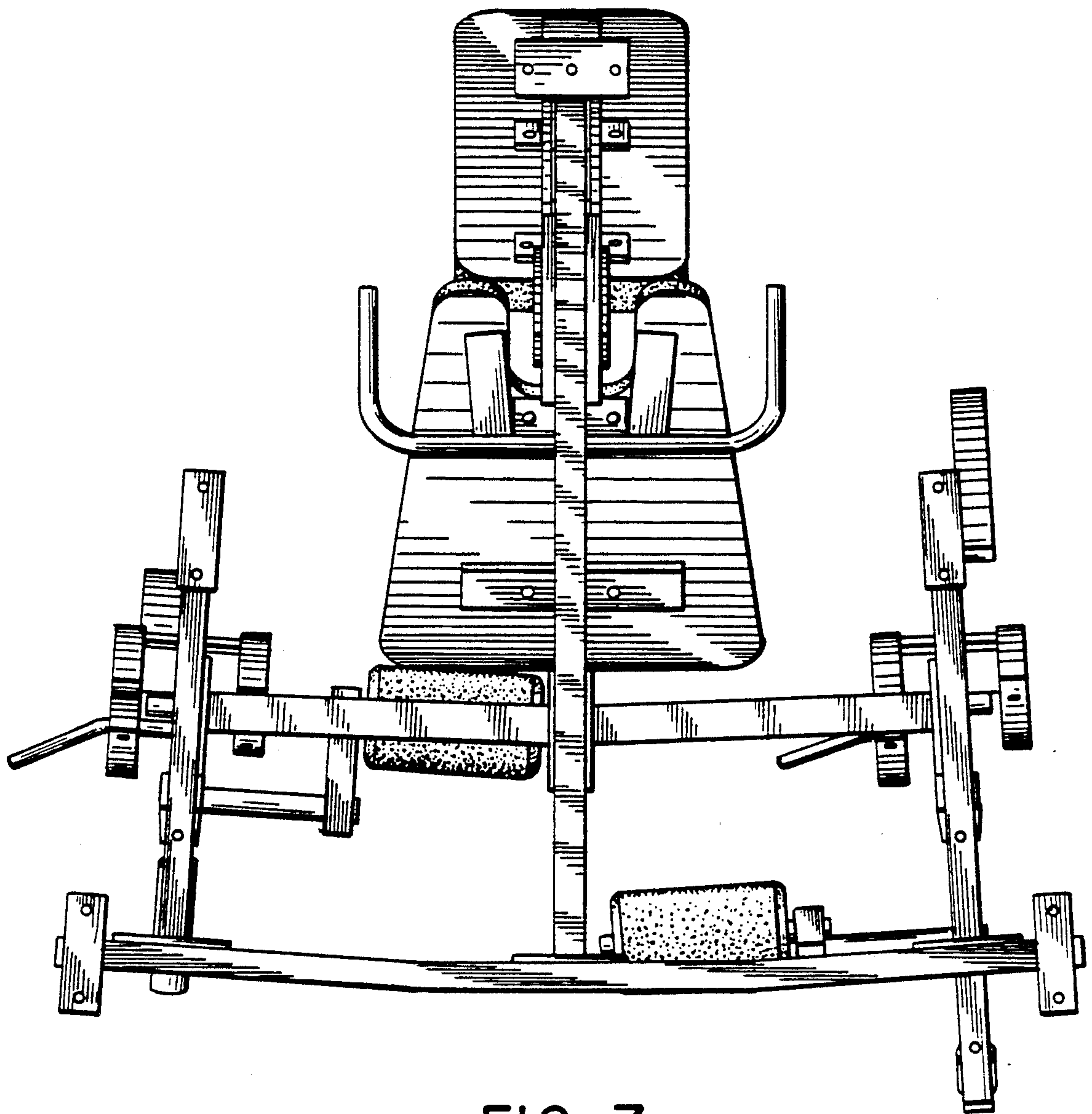


FIG. 7