

[54] STEPPING EXERCISE MACHINE

[75] Inventor: William T. Dalebout, Logan, Utah

[73] Assignee: Proform Fitness Products, Inc., Logan, Utah

[**] Term: 14 Years

[21] Appl. No.: 432,145

[22] Filed: Nov. 6, 1989

[52] U.S. Cl. D21/195

[58] Field of Search D21/191-199; 272/69, 70, 72, 97, 70.3, 129, 134, 130, 70.2, 143

[56] References Cited

U.S. PATENT DOCUMENTS

D. 302,451	7/1989	Bull et al.	D21/195
D. 307,615	5/1990	Bingham et al.	D21/195
4,685,669	8/1987	DeCloux	272/130
4,708,338	11/1987	Potts .	

4,830,362	5/1989	Bull .	
4,838,543	6/1989	Armstrong et al. .	
4,909,504	3/1990	Yang	272/130
4,961,570	10/1990	Chang	272/130

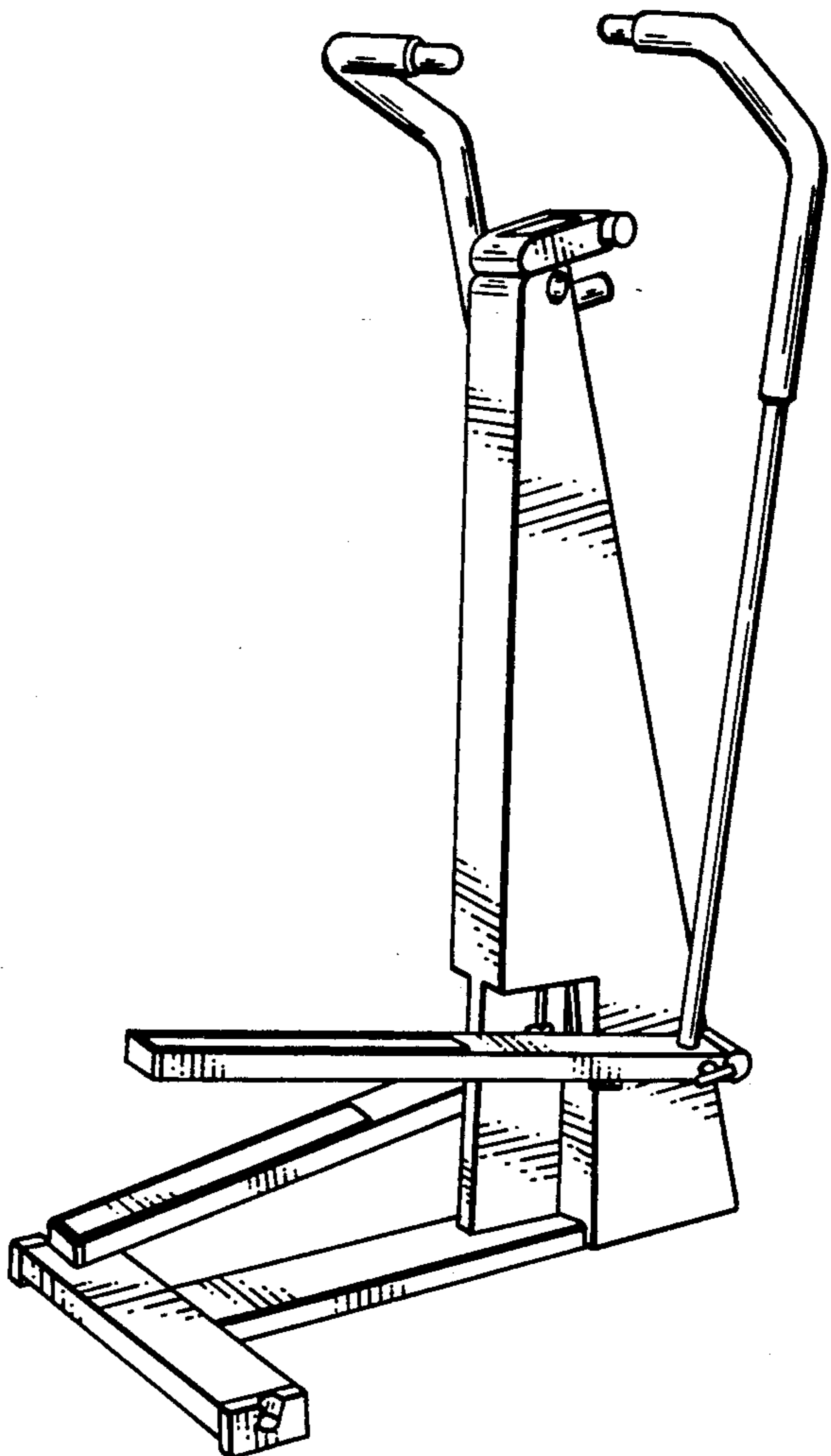
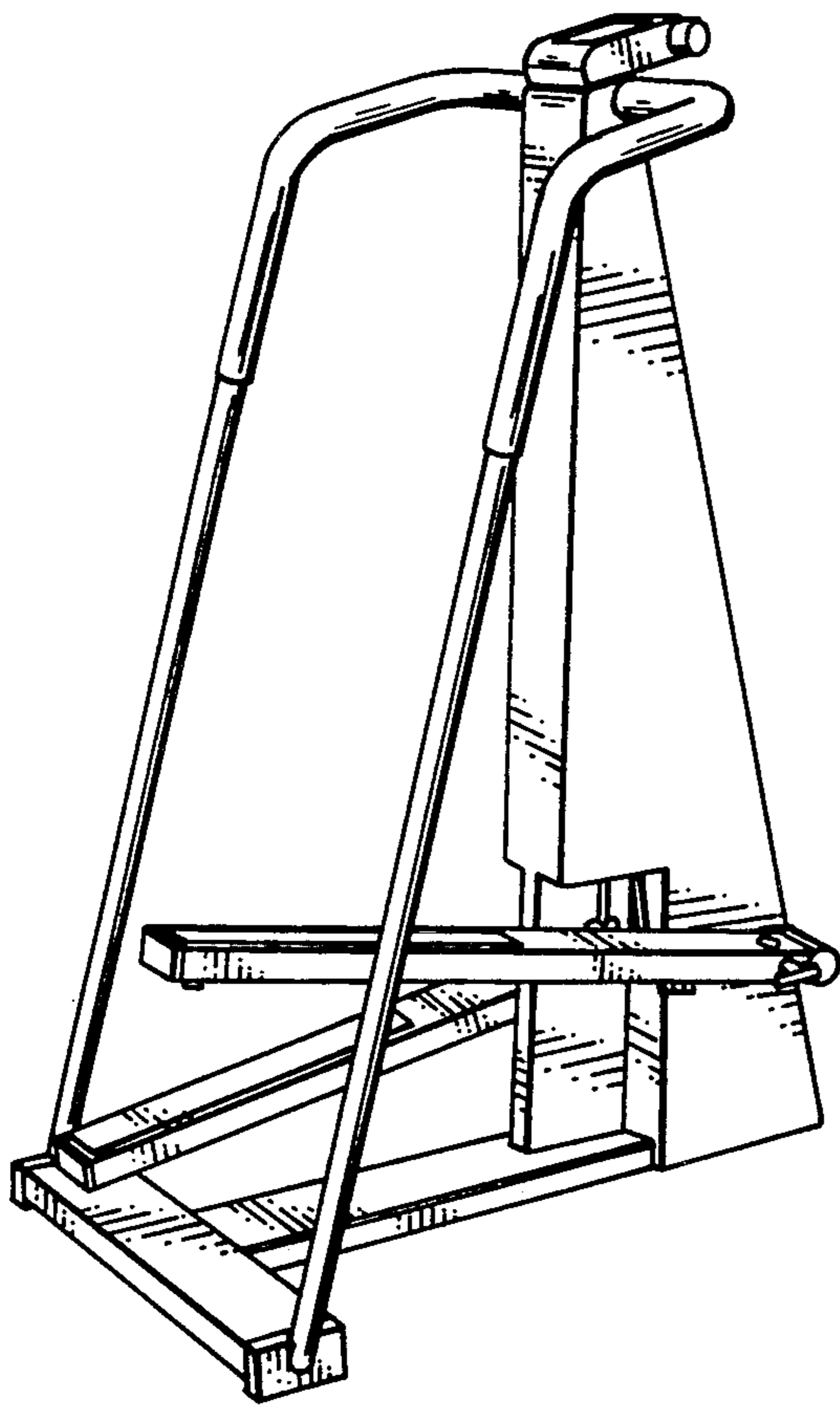
Primary Examiner—Charles A. Rademaker
Attorney, Agent, or Firm—Trask, Britt & Rossa

[57] CLAIM

The ornamental design for a stepping exercise machine, as shown and described.

DESCRIPTION

FIG. 1 is a perspective view of a stepping exercise machine showing my new design thereof; FIG. 2 is a right side elevational view thereof; FIG. 3 is a left side elevational view thereof; FIG. 4 is a rear elevational view thereof; FIG. 5 is a front elevational view thereof; FIG. 6 is a top plan view thereof; and FIG. 7 is a front perspective view of a modified embodiment of the design shown on FIGS. 1 through 6.



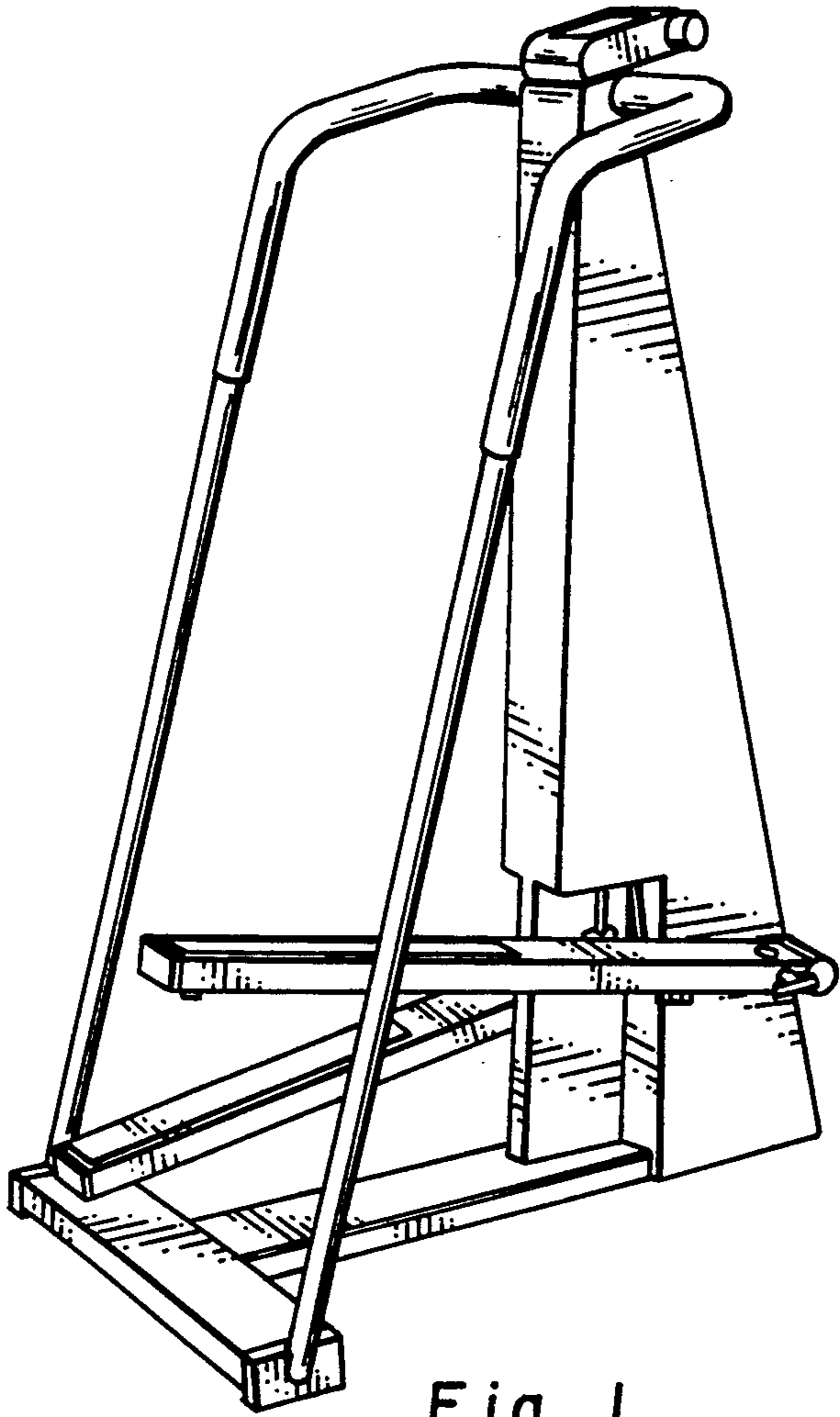


Fig. 1

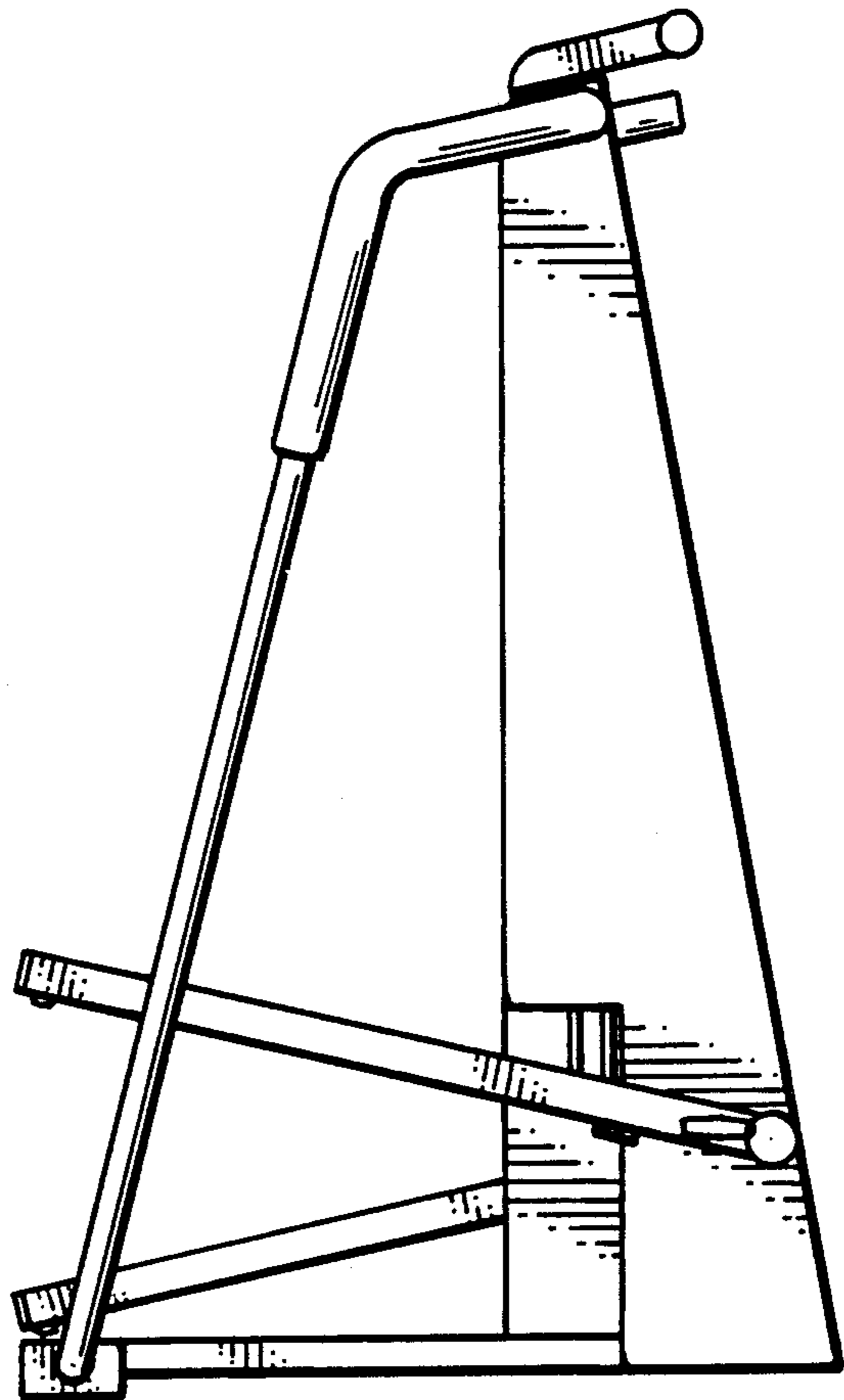


Fig. 2

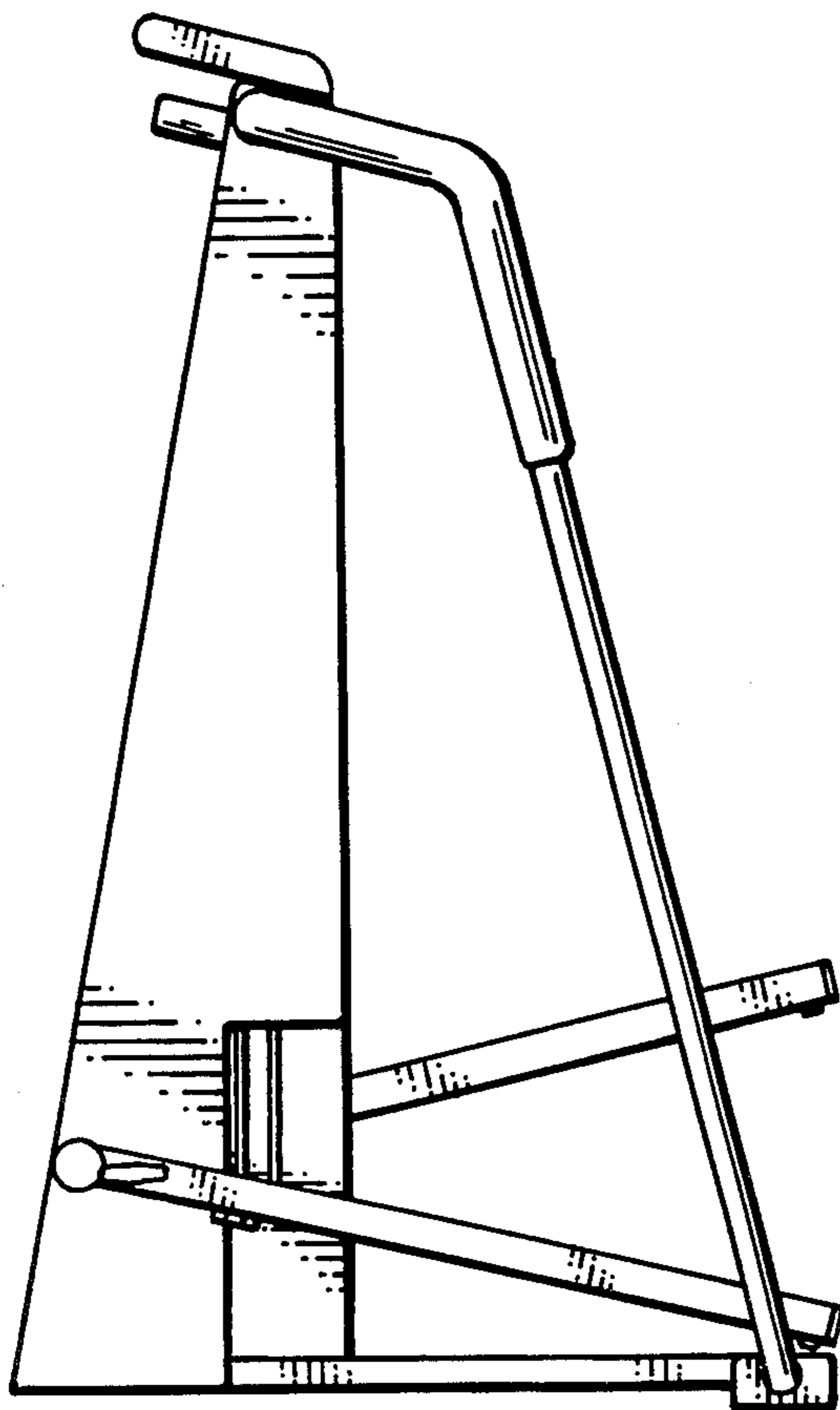


Fig. 3

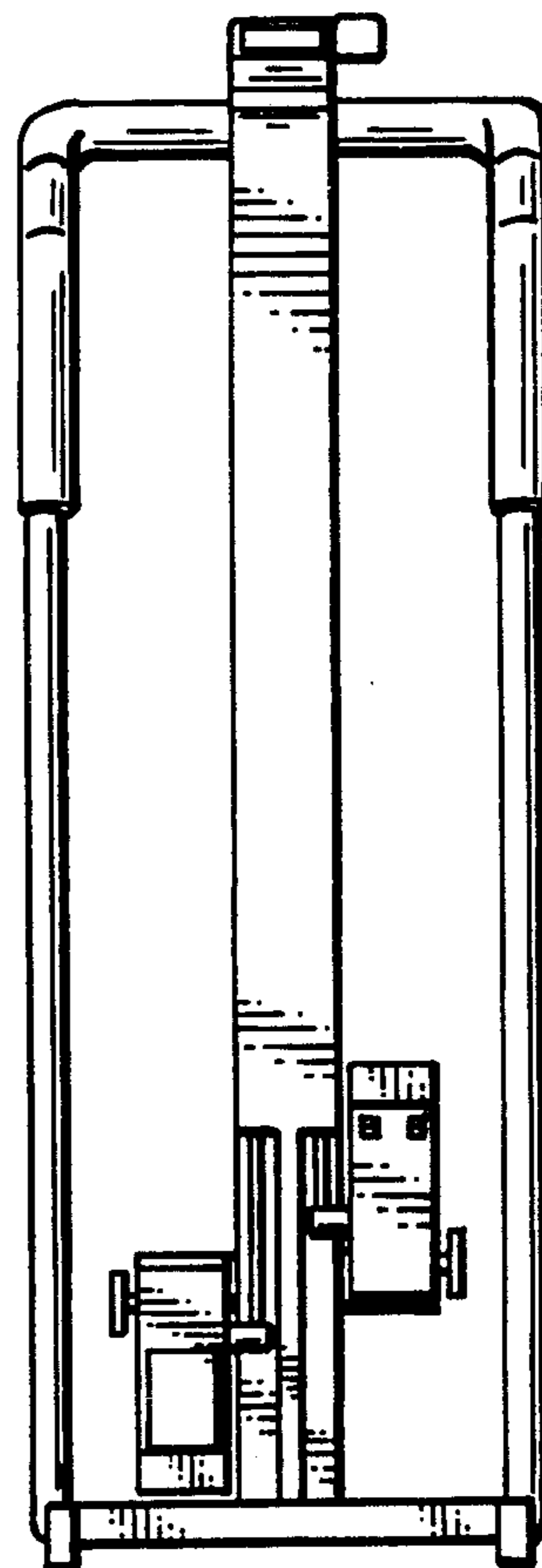


Fig. 4

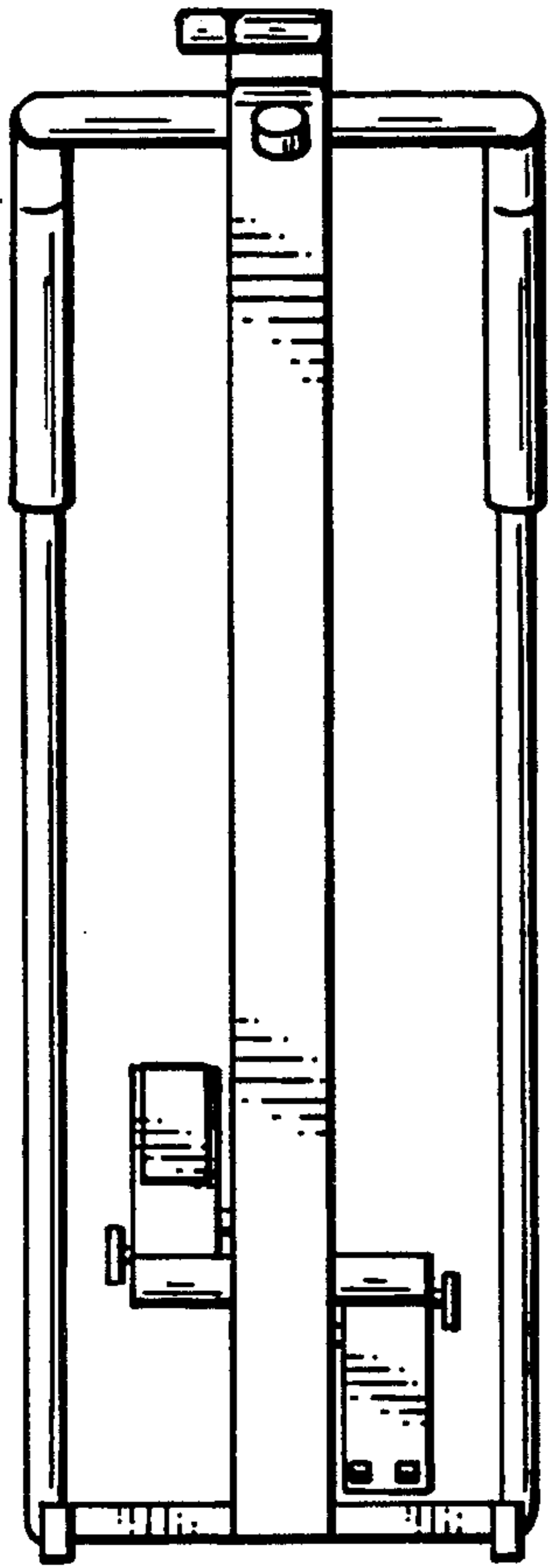


Fig. 5

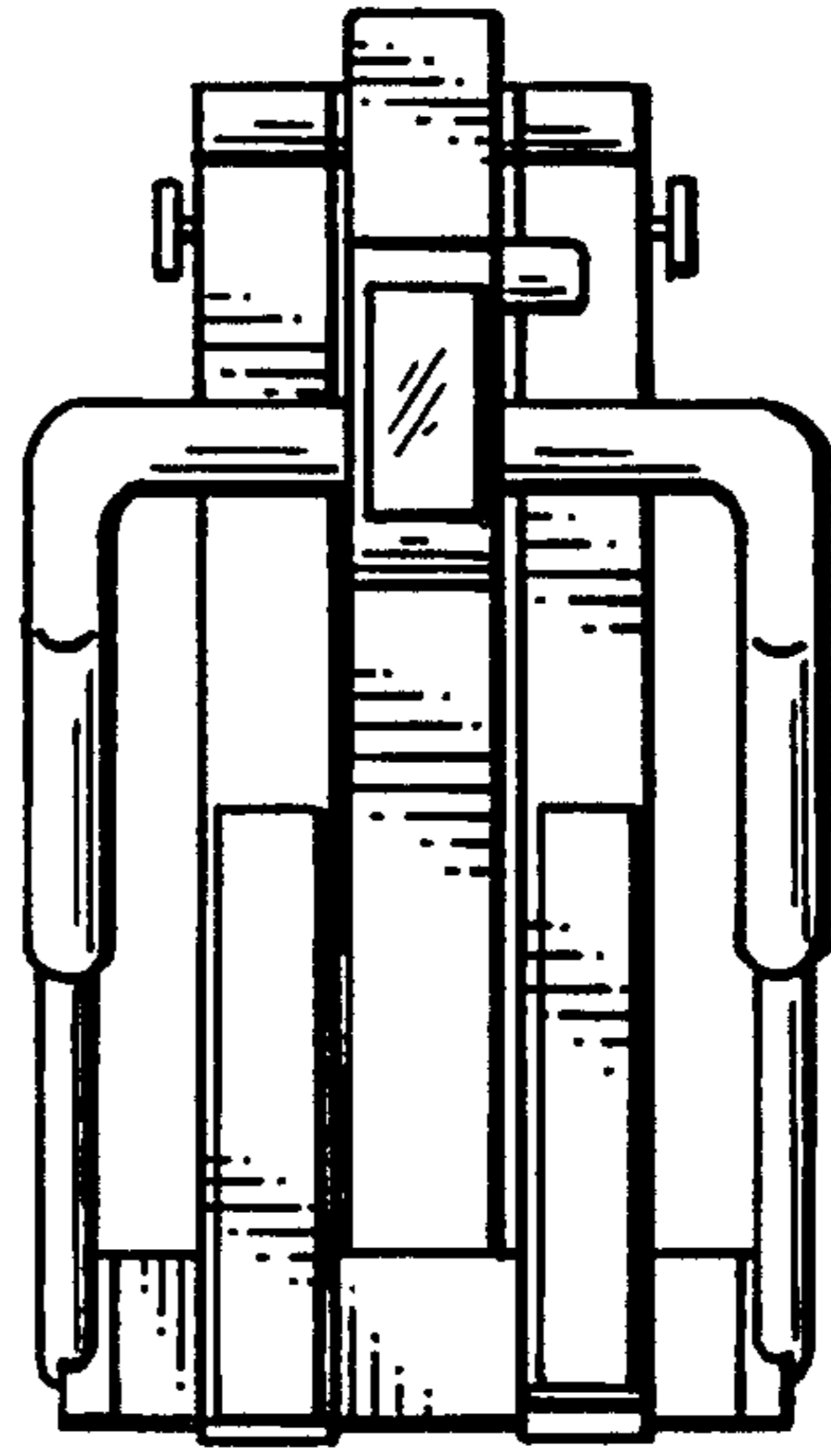


Fig. 6

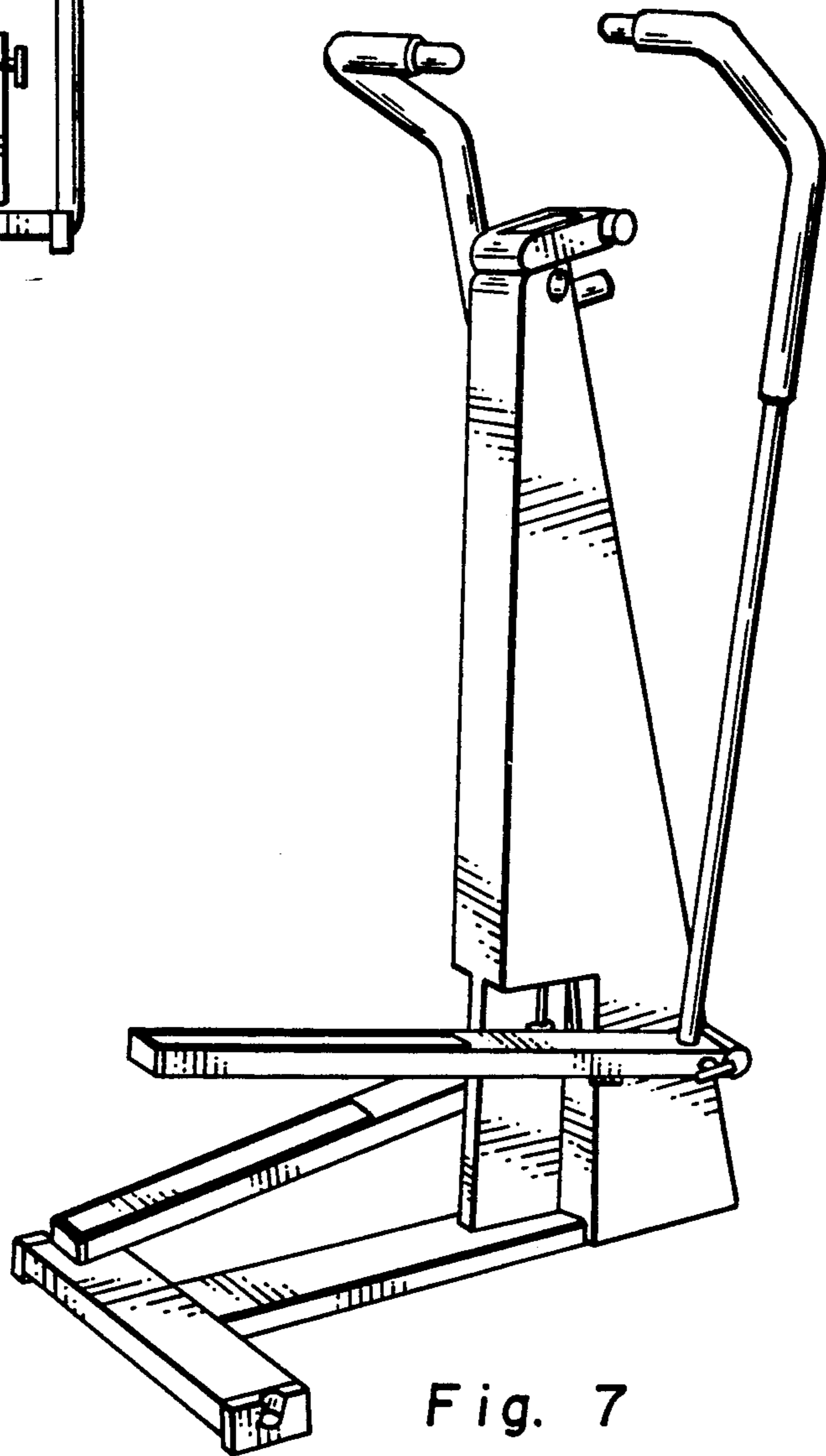


Fig. 7