

United States Patent [19]

Dewing

[11] Patent Number: **Des. 321,380**

[45] Date of Patent: **** Nov. 5, 1991**

[54] **SANDBOX BACKHOE TOY**

[76] Inventor: **Gilbert A. Dewing, R. #1, Box 1630, Enosburg Falls, Vt. 05450**

[**] Term: **14 Years**

[21] Appl. No.: **414,432**

[22] Filed: **Sep. 29, 1989**

[52] U.S. Cl. **D21/71; D21/124**

[58] Field of Search **D21/59, 124, 109, 128, D21/71; 446/424, 425, 426; 414/694, 915**

[56] **References Cited**

U.S. PATENT DOCUMENTS

D. 276,355	11/1984	Sjöholm	D21/71
1,237,163	8/1917	Brockett	446/425
2,523,093	9/1950	Byrne	446/425

3,176,862	4/1965	Walters et al.	446/425
4,224,007	9/1980	Chabot	446/425

Primary Examiner—Charles A. Rademaker
Attorney, Agent, or Firm—Thomas N. Neiman

[57] **CLAIM**

The ornamental design for a sandbox backhoe toy, as shown and described.

DESCRIPTION

FIG. 1 is a side elevational view of a sandbox backhoe toy showing my new design; FIG. 2 is a top plan view thereof; FIG. 3 is a bottom plan view thereof; FIG. 4 is a front elevational view thereof; FIG. 5 is a rear elevational view thereof; and, FIG. 6 is a perspective view thereof.

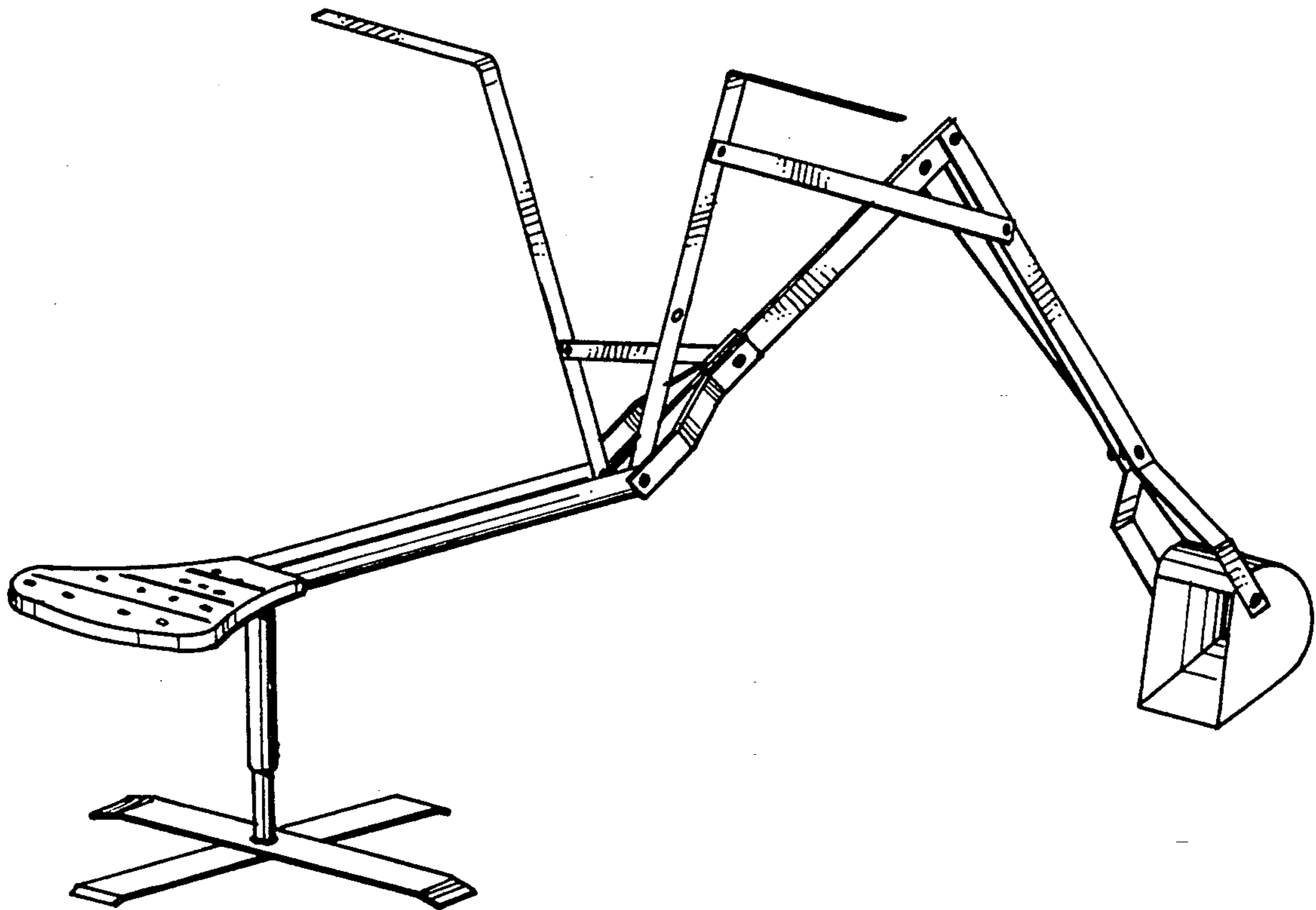


FIG. 2

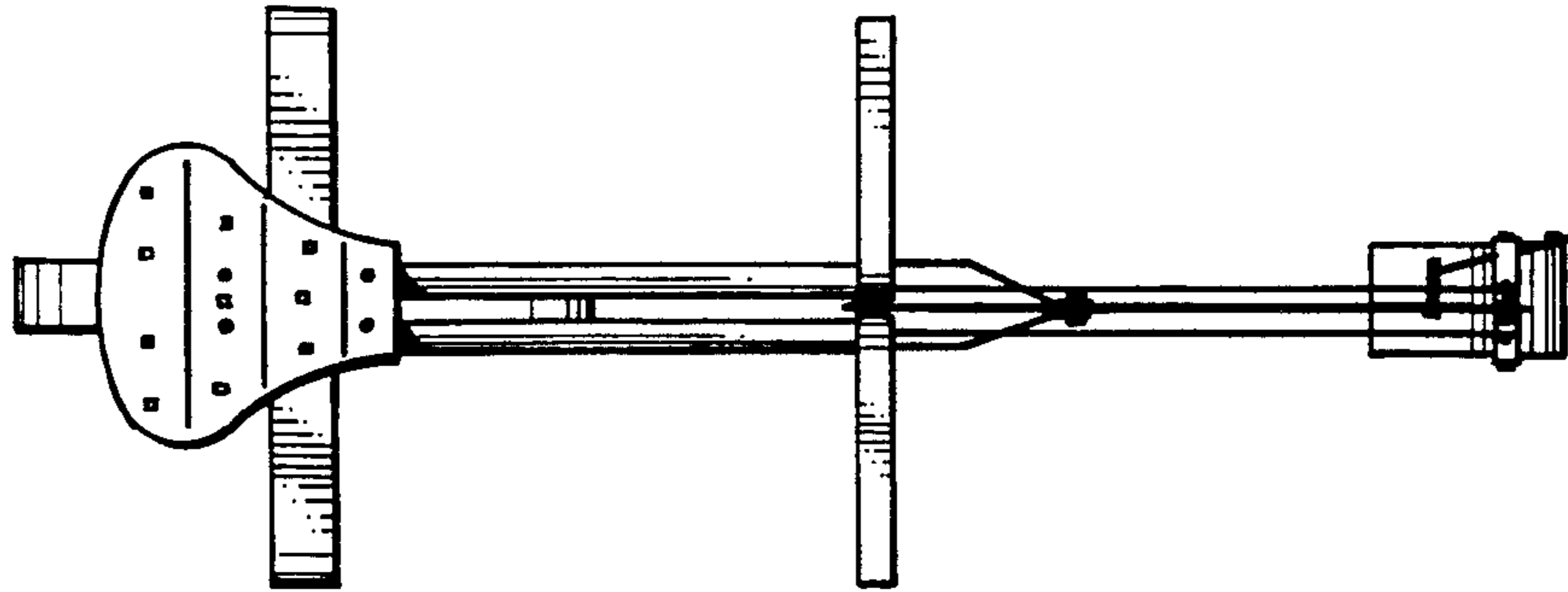


FIG. 1

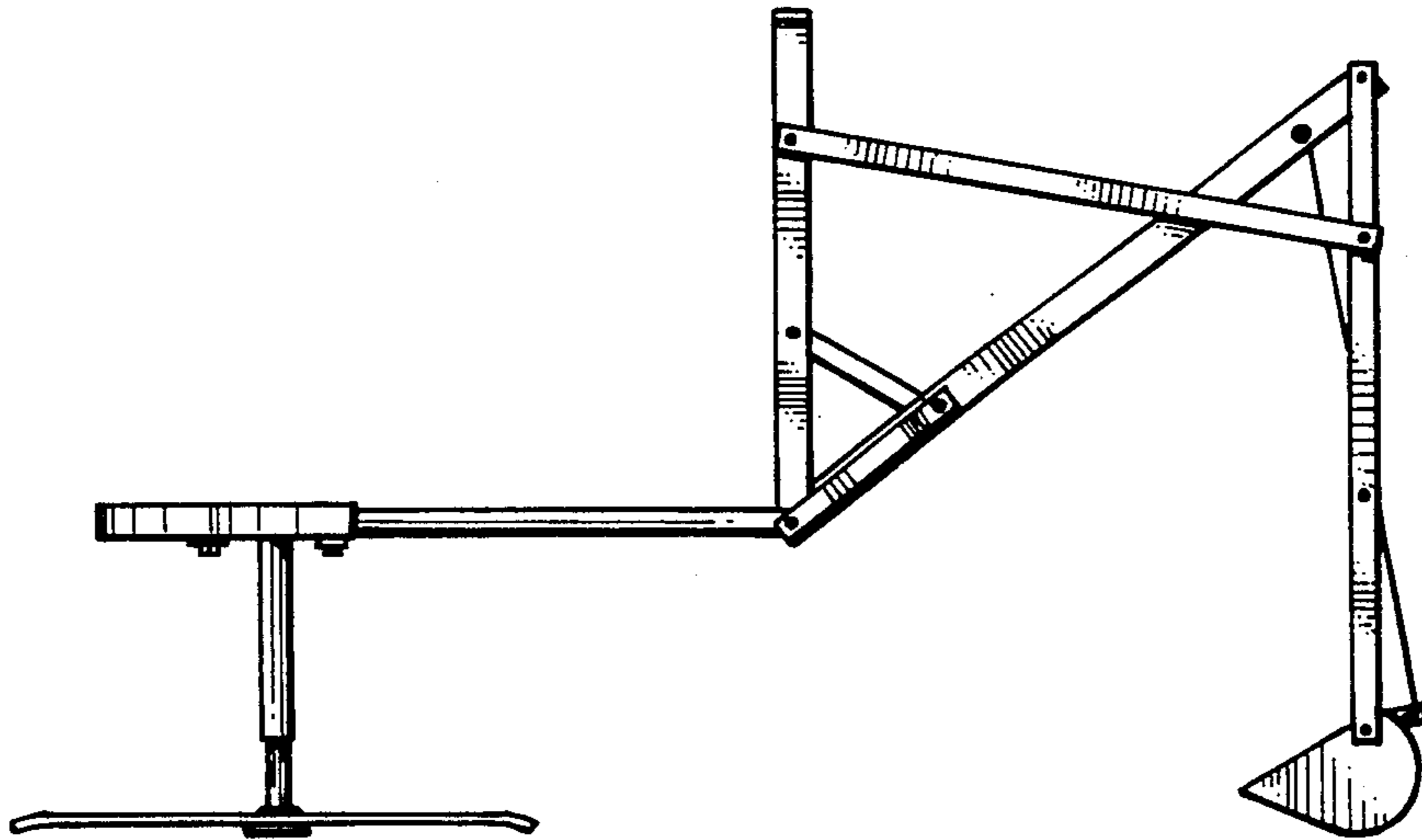
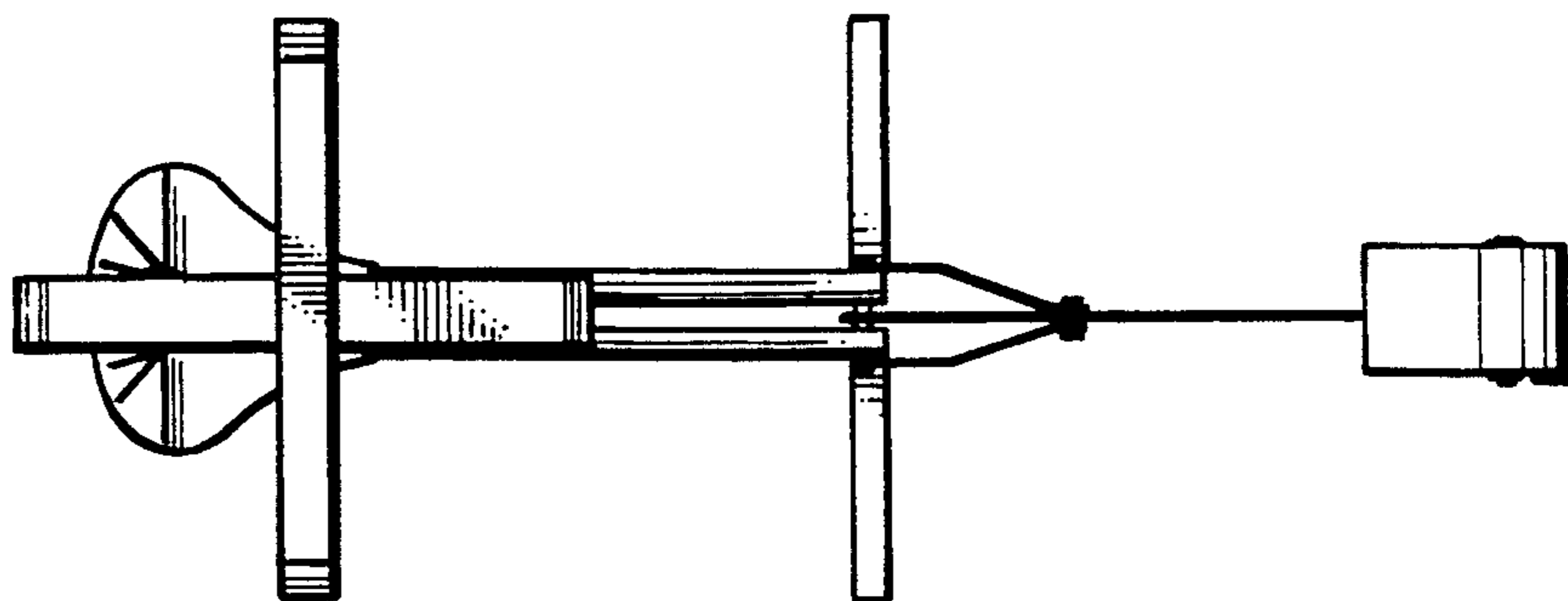


FIG. 3



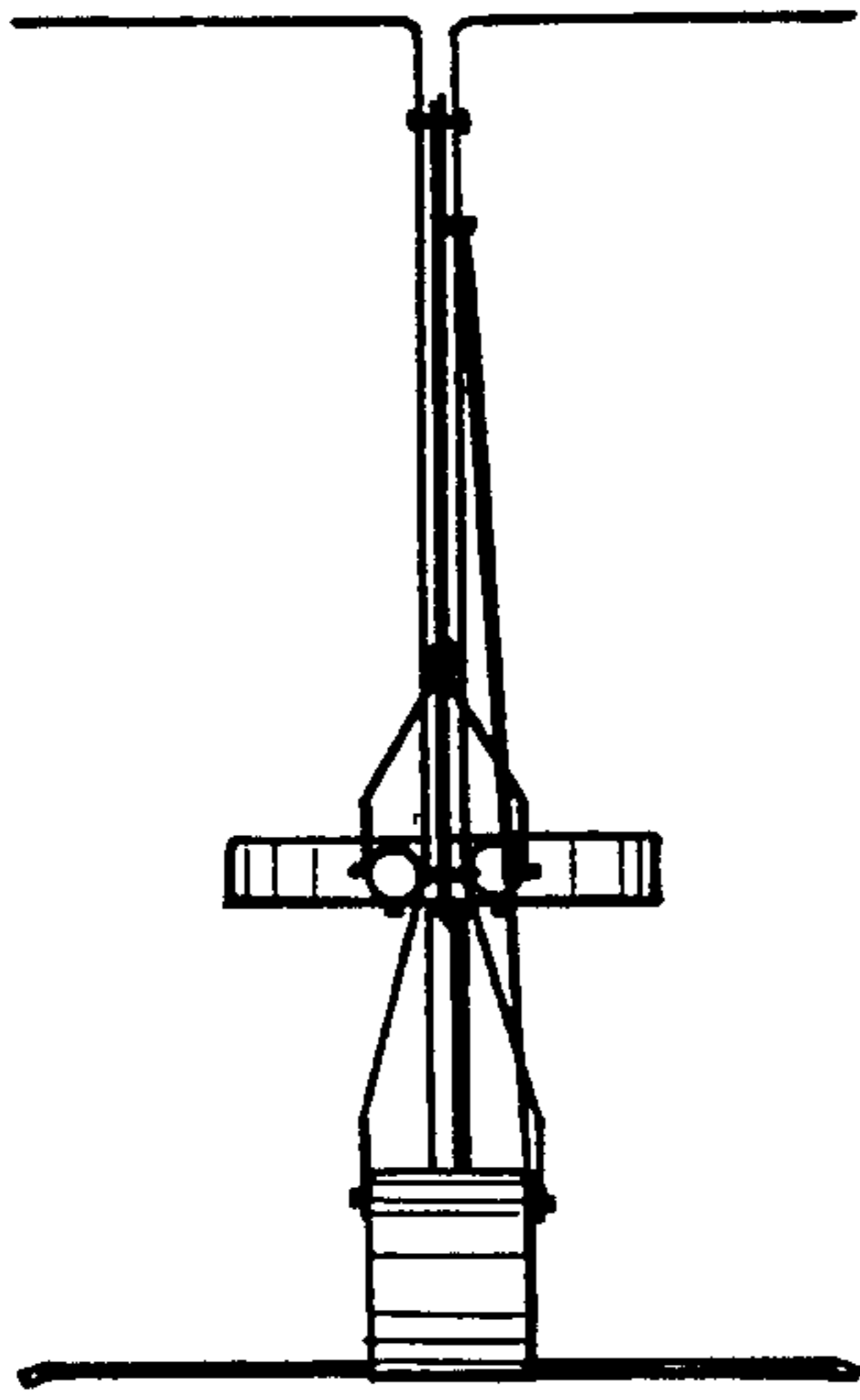


FIG. 4

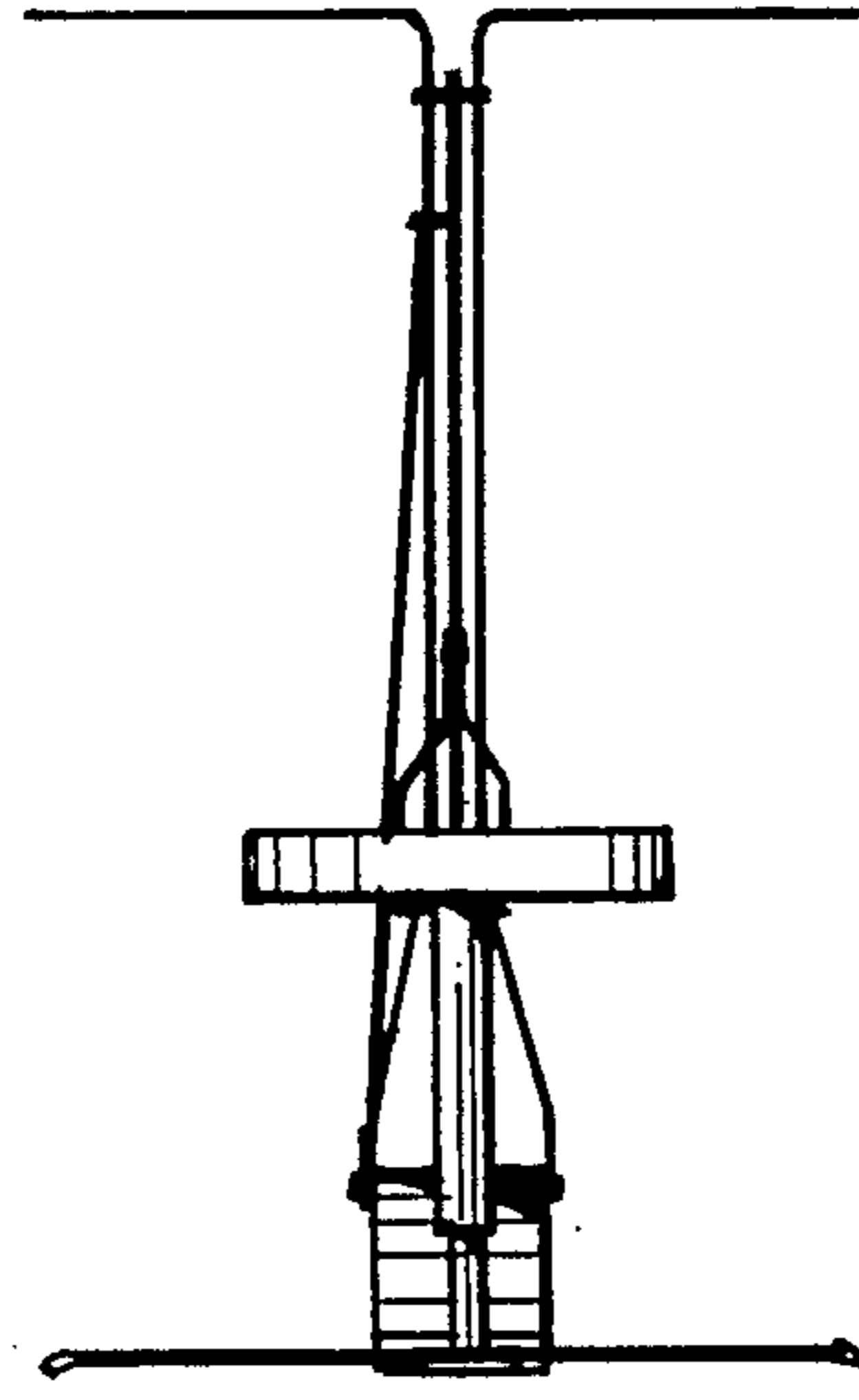


FIG. 5

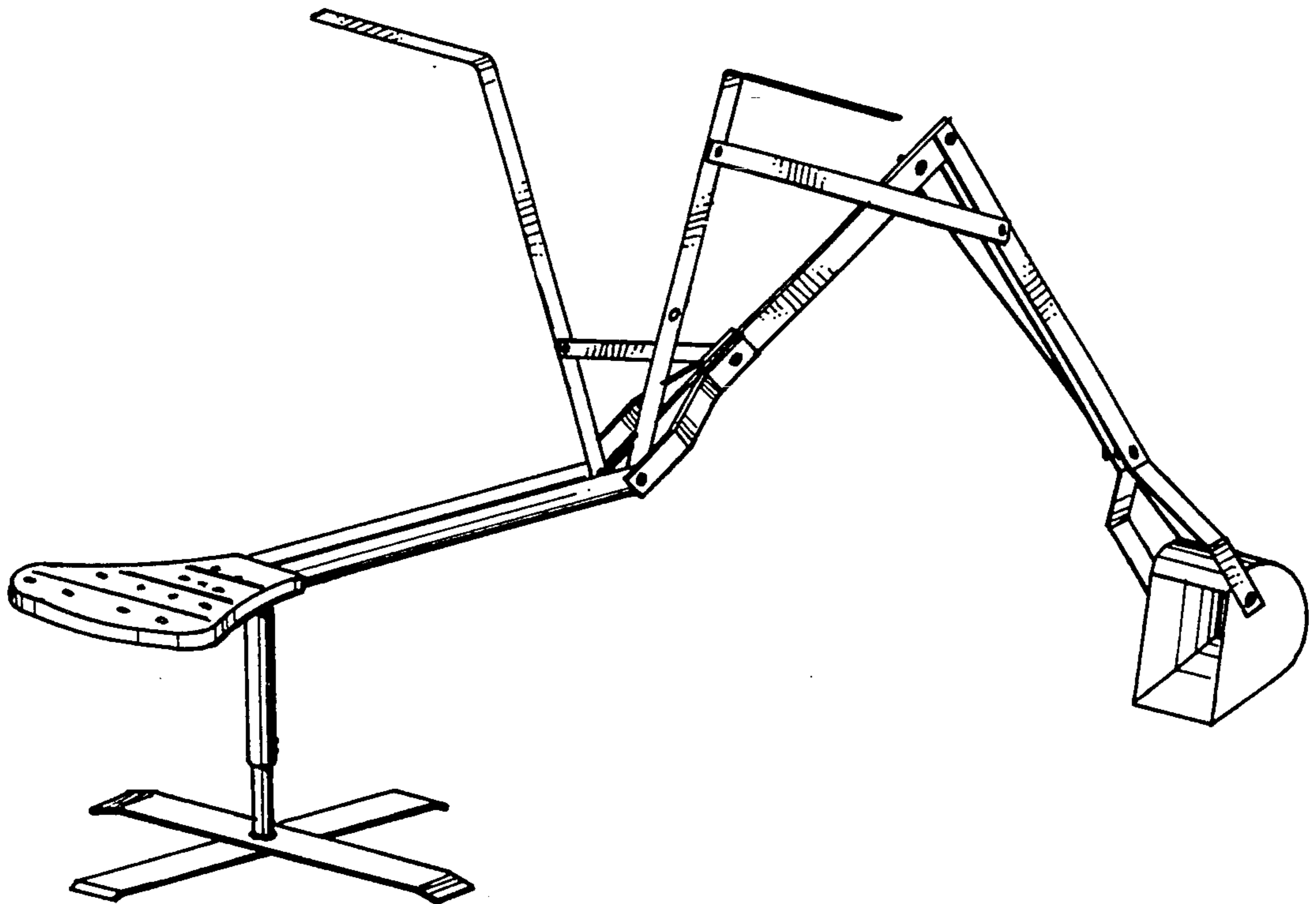


FIG. 6