

[54] MULTI-PURPOSE ORGANIZER

[76] Inventor: Carl J. Galante, 1837 Dixie Beach Blvd., Sanibel Island, Fla. 33957

[**] Term: 14 Years

[21] Appl. No.: 257,304

[22] Filed: Oct. 13, 1988

Related U.S. Application Data

[63] Continuation-in-part of Ser. No. 208,025, Jul. 17, 1988.

[52] U.S. Cl. D19/77; D19/75; D19/78; D19/85; D34/43

[58] Field of Search D19/36, 65, 75, 77, D19/78, 81-85; D34/40, 43; 206/214, 371, 449; 211/69.1-69.9

[56] References Cited

U.S. PATENT DOCUMENTS

- D. 28,416 3/1898 Akin D19/78
- D. 221,276 7/1971 Rehrig D34/43
- D. 231,331 4/1974 Stauble D34/43
- D. 286,339 10/1986 van Berne et al. D34/43

- D. 289,181 4/1987 Solomon D34/43 X
- D. 290,661 7/1987 Appel et al. D19/85 X
- D. 290,854 7/1987 Appel et al. D19/85
- D. 306,227 2/1990 Ross D34/40 X

FOREIGN PATENT DOCUMENTS

2023102 12/1979 United Kingdom 206/449

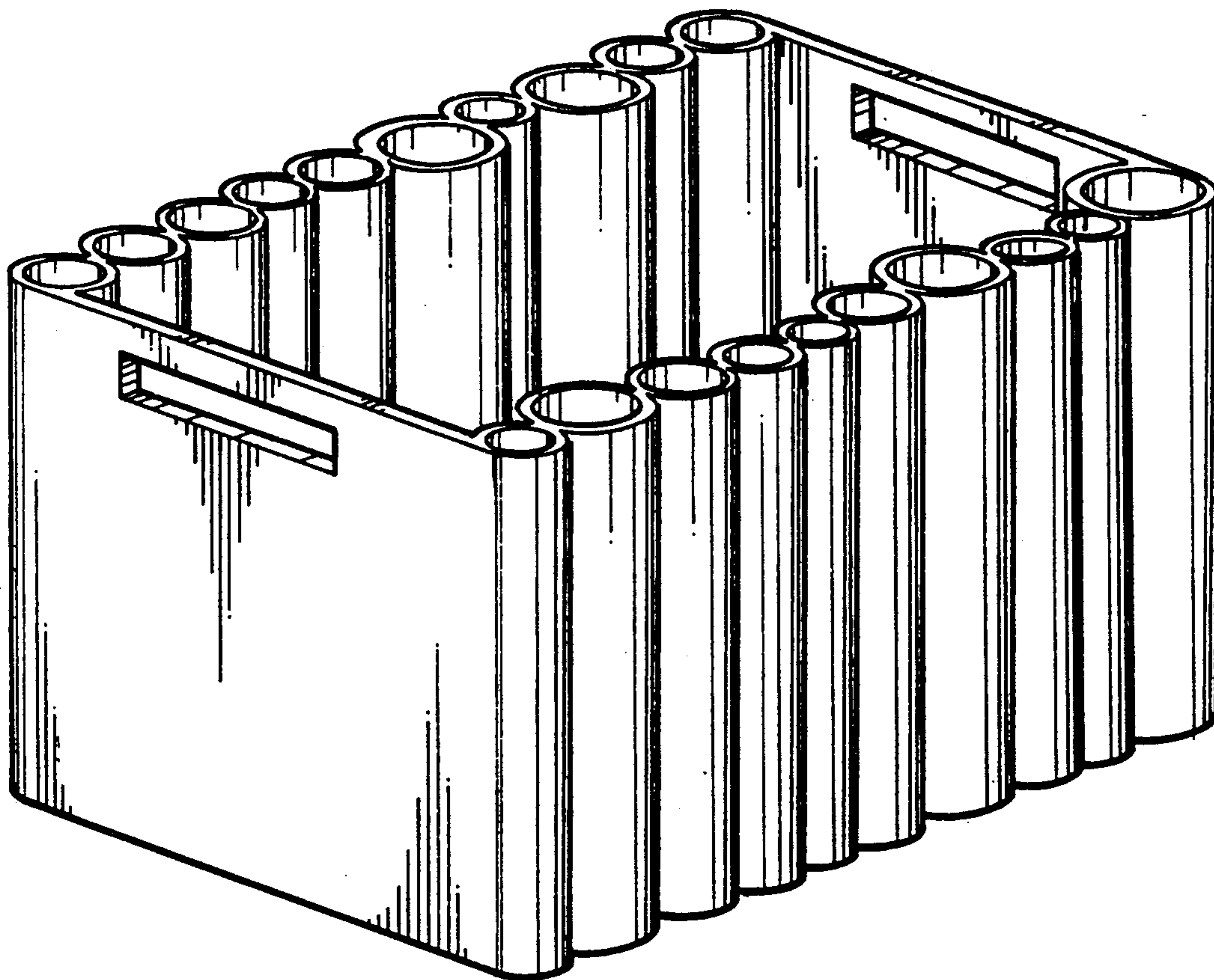
Primary Examiner—Bruce W. Dunkins
Assistant Examiner—Martha Thompson
Attorney, Agent, or Firm—Richard C. Litman

[57] CLAIM

The ornamental design for a multi-purpose organizer, as shown and described.

DESCRIPTION

FIG. 1 is a front perspective view of a multi-purpose organizer showing my new design; FIG. 2 is a top plan view thereof; FIG. 3 is a bottom plan view thereof; FIG. 4 is a side elevational view thereof, the opposite side being a mirror image; FIG. 5 is a front elevational view thereof; and FIG. 6 is a rear elevational view thereof.



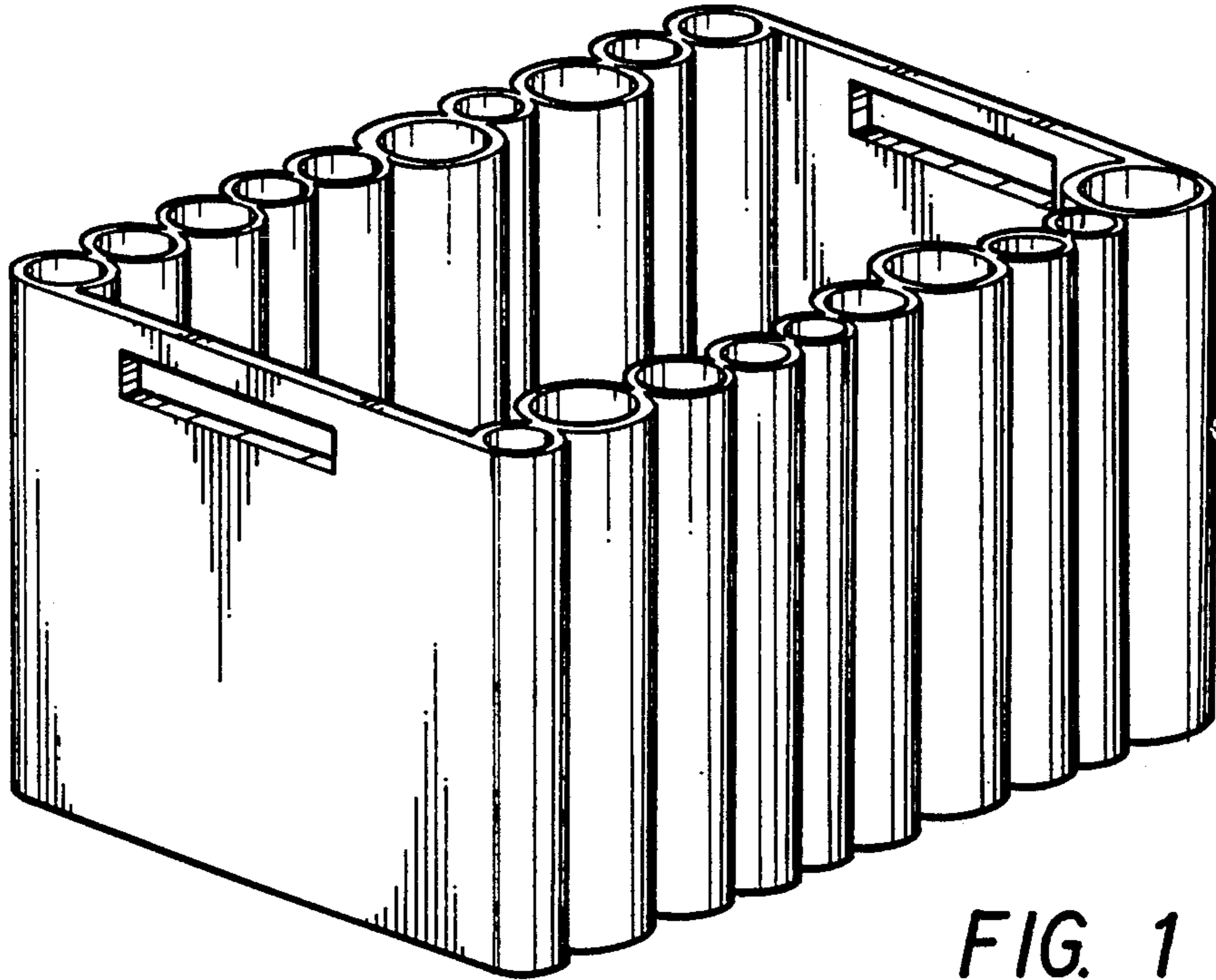


FIG. 1

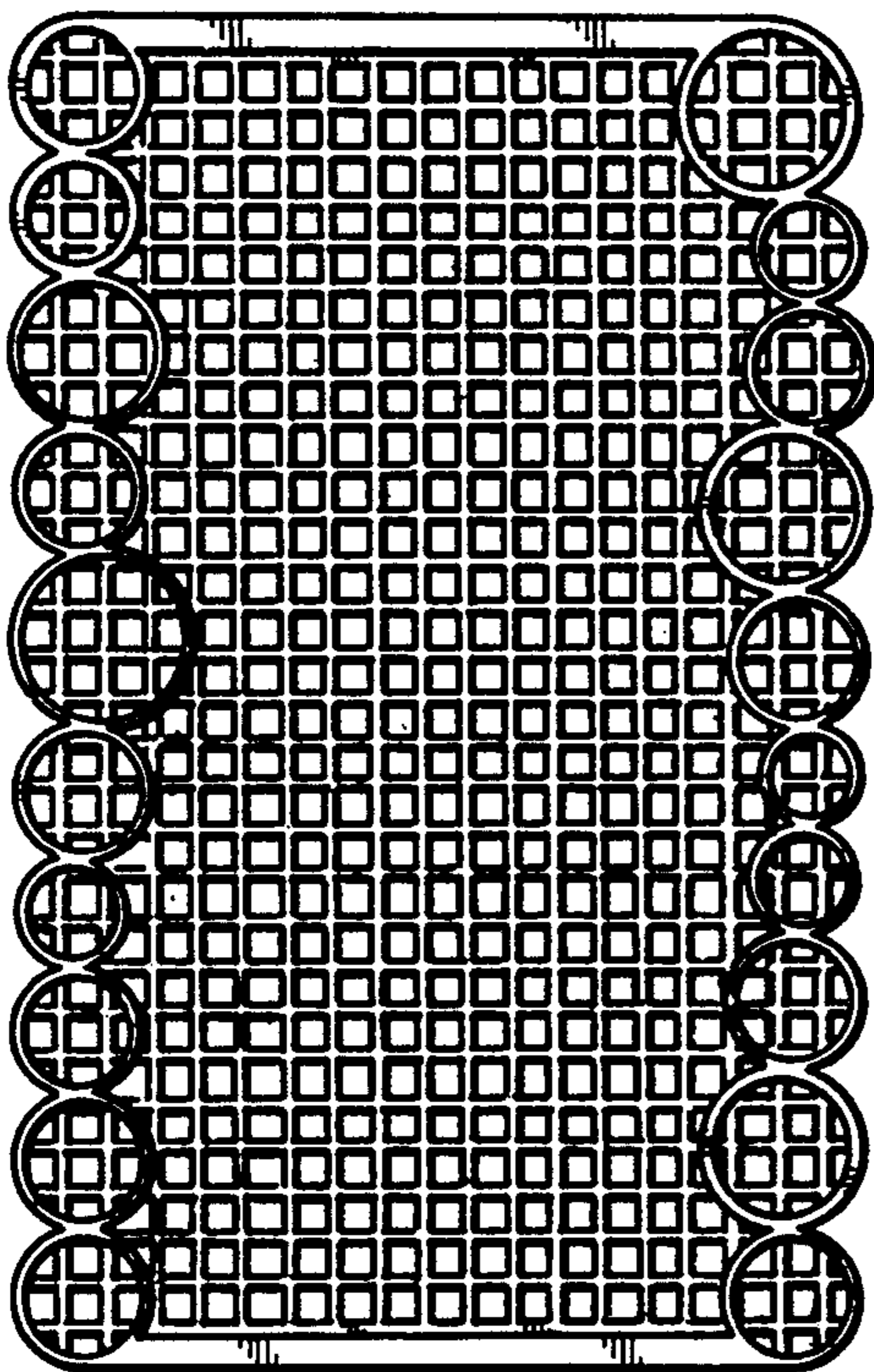


FIG. 2

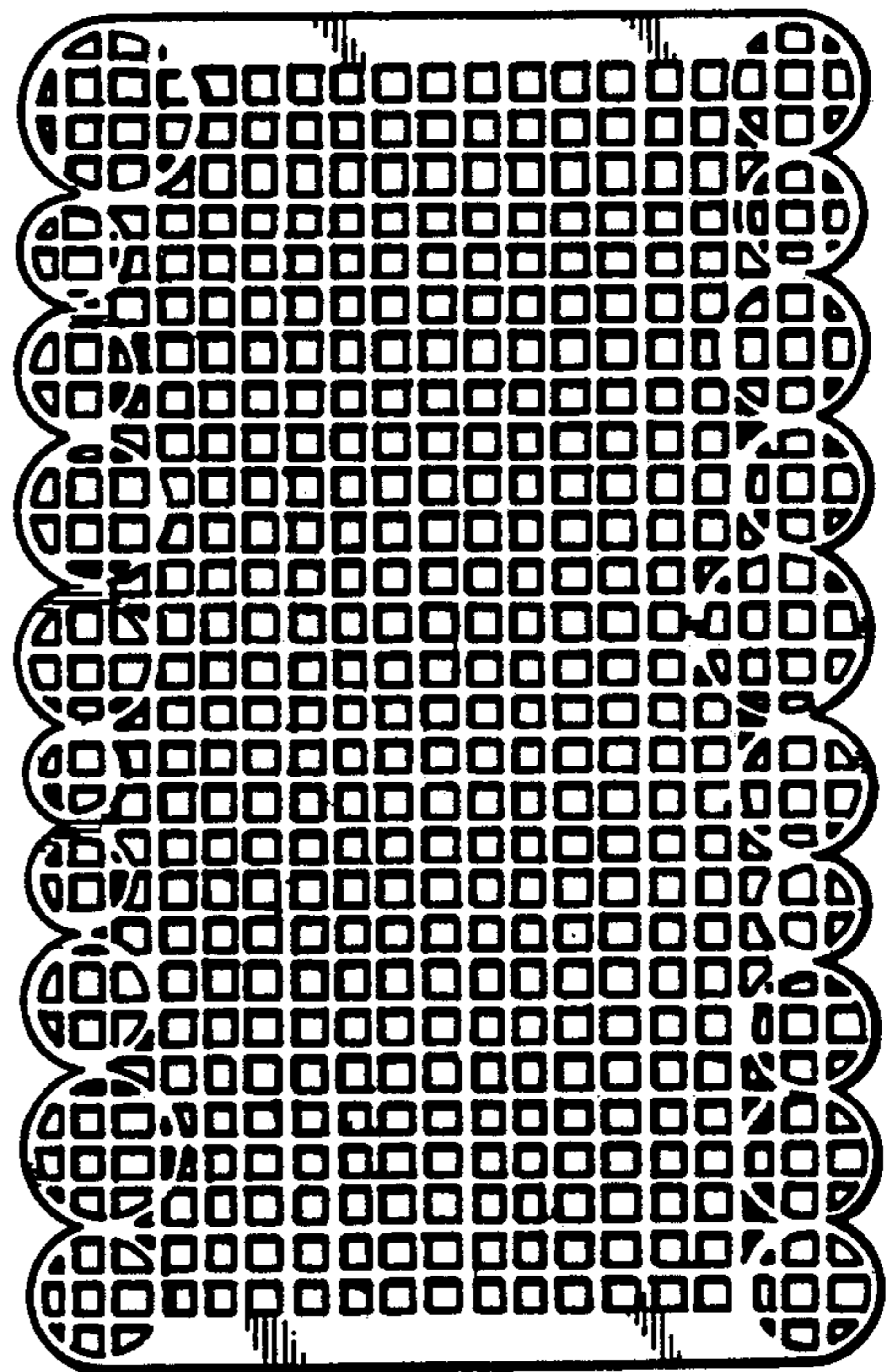


FIG. 3

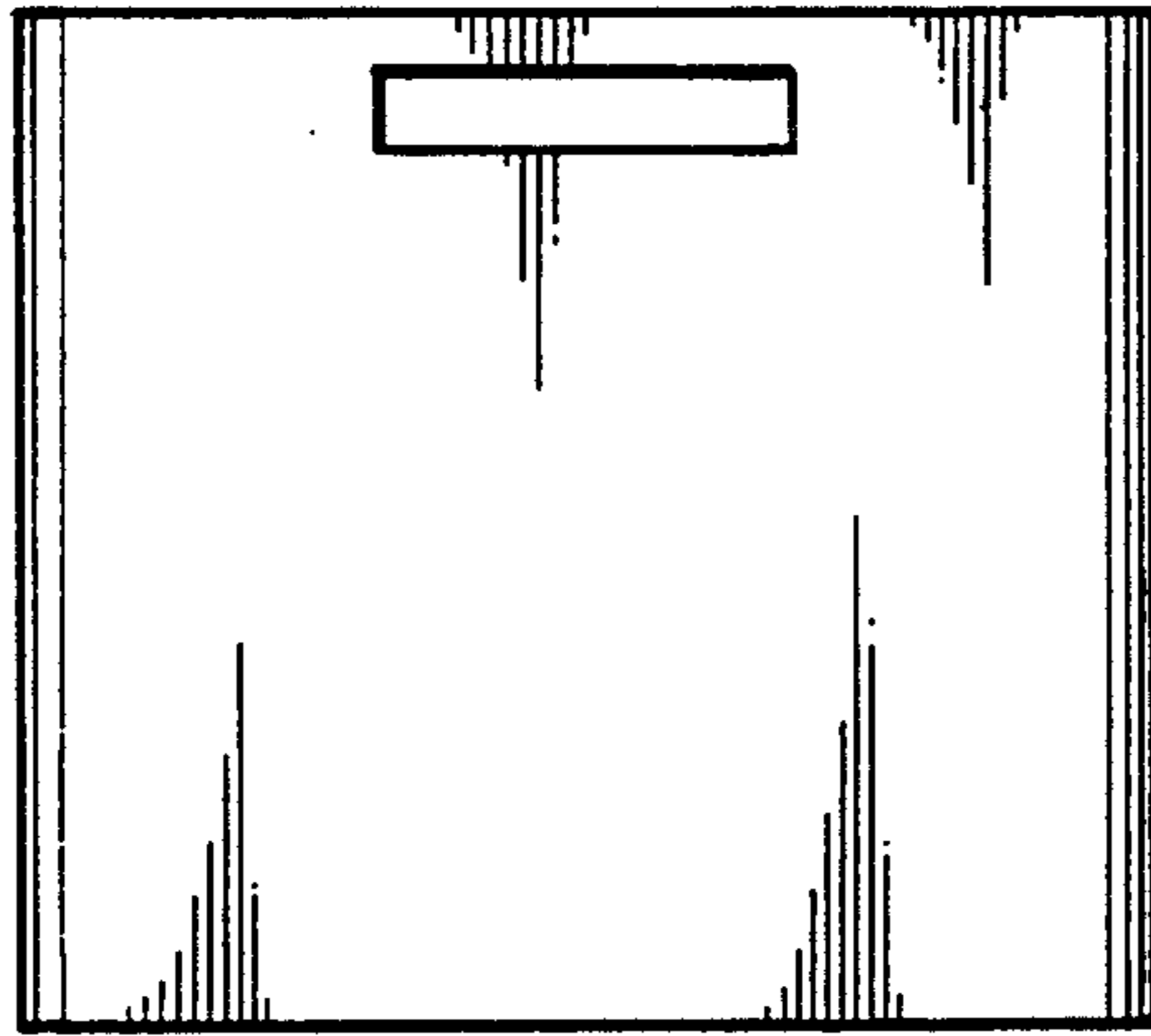


FIG. 4

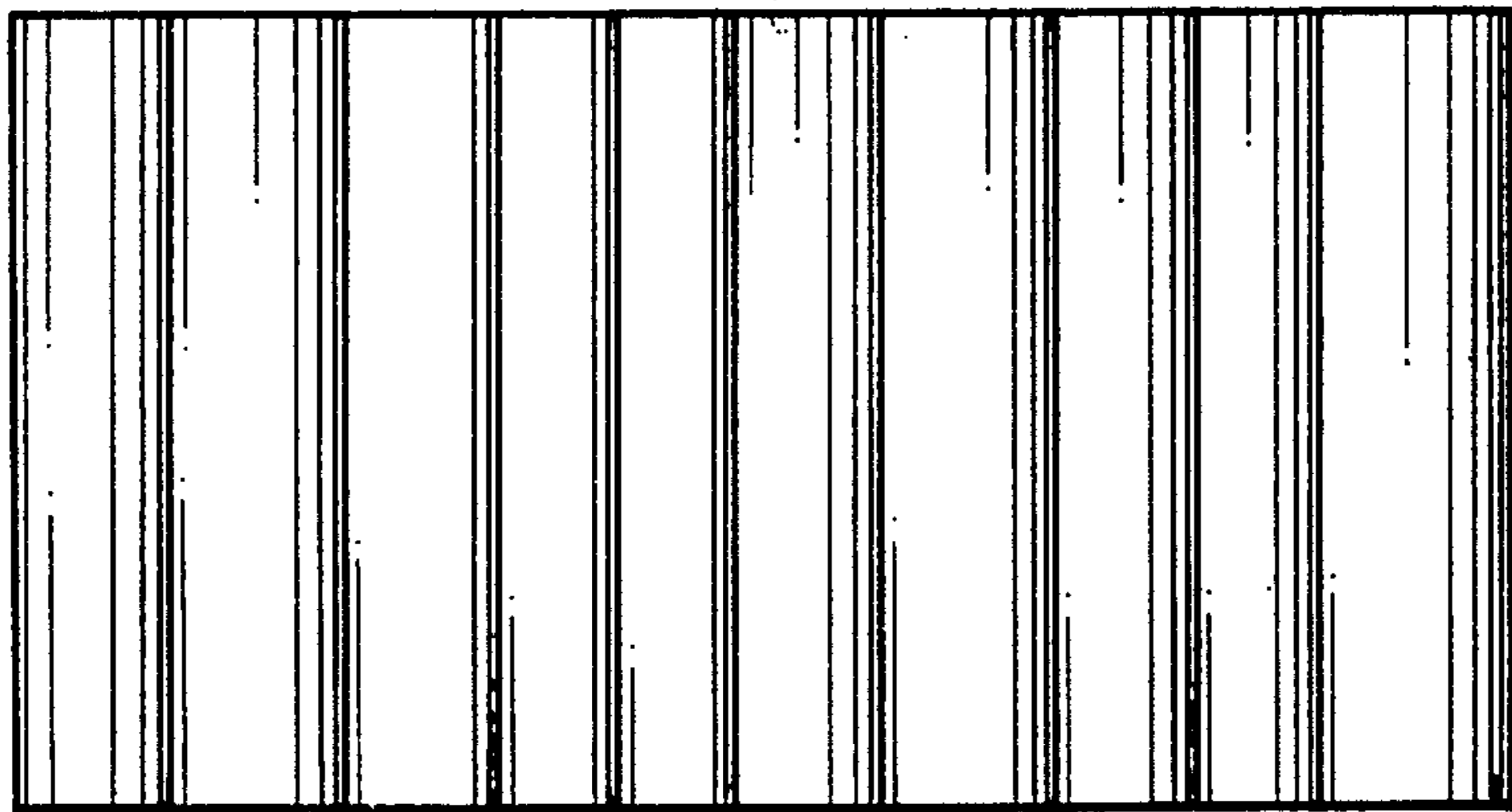


FIG. 5

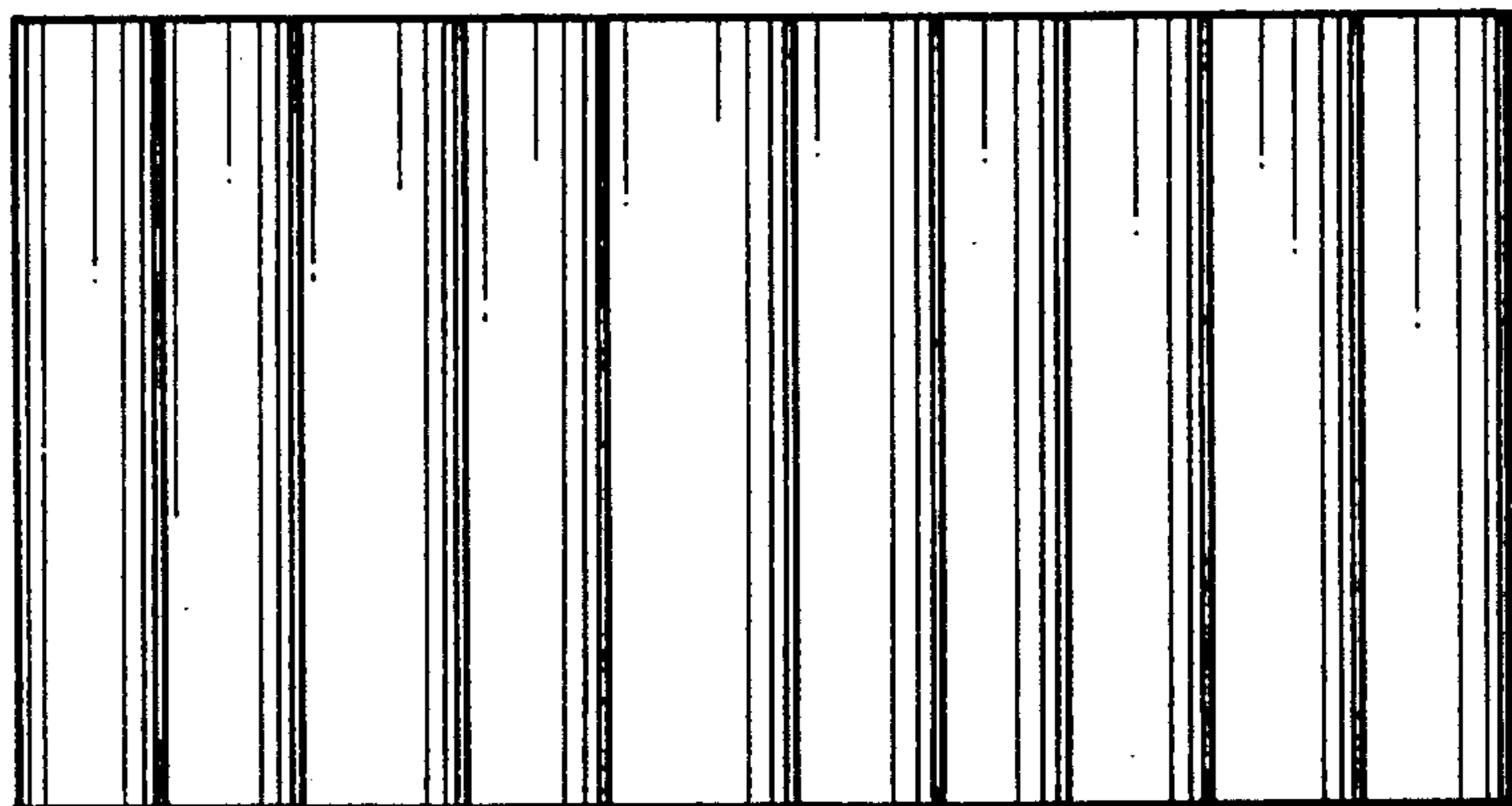


FIG. 6