

United States Patent [19]

Martin

[11] Patent Number: **Des. 321,362**

[45] Date of Patent: **** Nov. 5, 1991**

[54] **DOCUMENT FEEDER**

[75] Inventor: **Emilio B. Martin, Madrid, Spain**

[73] Assignee: **Amper, S.A., Madrid, Spain**

[**] Term: **14 Years**

[21] Appl. No.: **360,757**

[22] Filed: **Jun. 2, 1989**

[52] U.S. Cl. **D18/49; D18/12; D18/5**

[58] Field of Search **D18/5, 12, 22; 271/8.1, 271/10, 110, 111, 114, 119, 122, 126, 147, 157, 171, 258**

[56] **References Cited**

U.S. PATENT DOCUMENTS

D. 274,520	7/1984	Bressler	D18/42
813,810	2/1906	Maynard	271/122
3,531,104	9/1970	Martin	271/8.1 X
3,791,392	2/1974	Hanson	271/110
3,857,559	12/1974	McInerny	271/122
4,030,413	6/1977	Young	271/119 X
4,416,449	11/1983	McInerny	271/122
4,615,518	10/1986	Di Blasio	271/10

4,653,742	3/1987	Sasaki et al.	271/119
4,831,273	5/1989	Ross et al.	271/258 X
4,850,580	7/1989	Denzin et al.	271/10 X
4,858,905	8/1989	Weigel	271/10
4,871,162	10/1989	Imai et al.	271/122

FOREIGN PATENT DOCUMENTS

162209 5/1953 Australia .

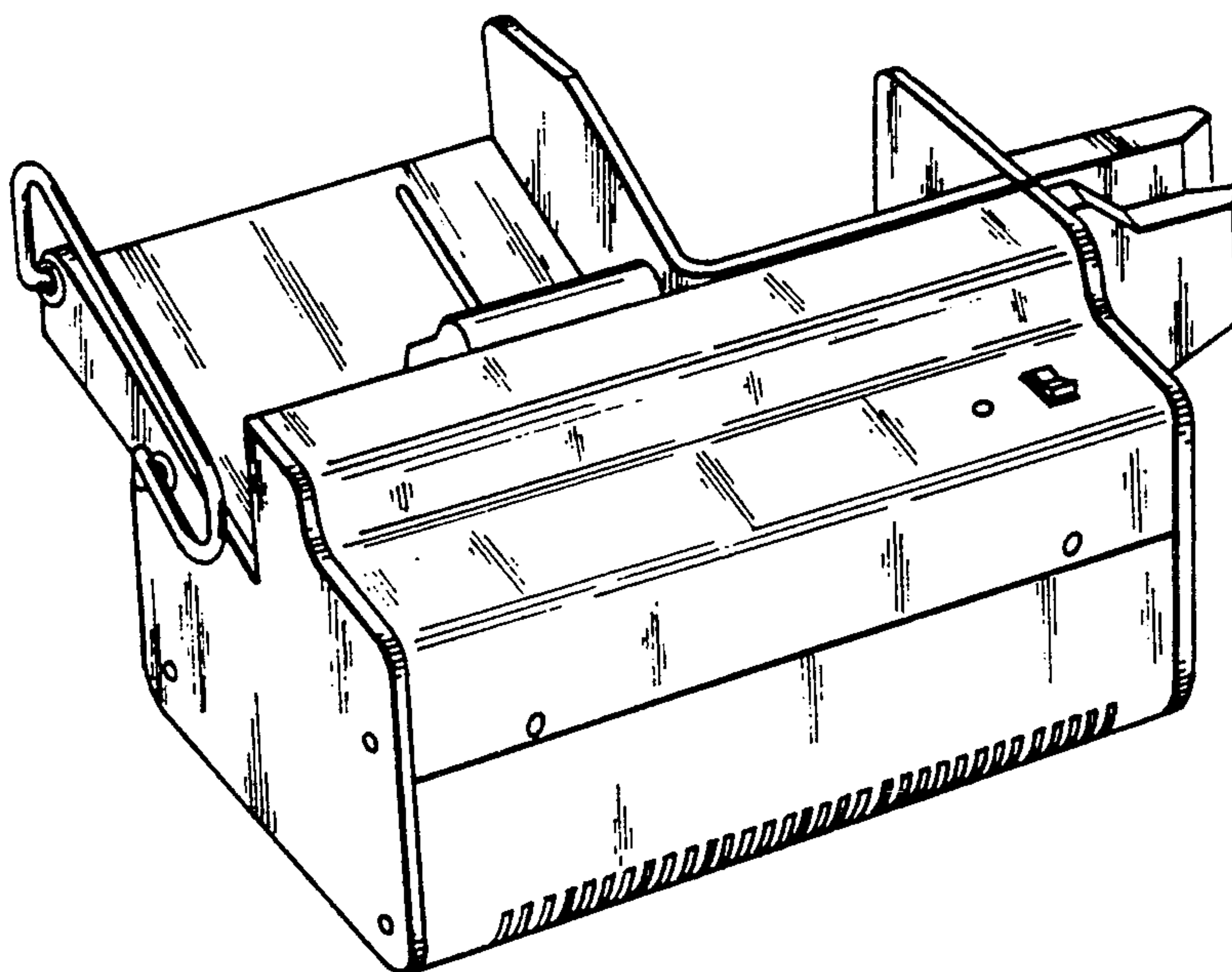
Primary Examiner—Nelson C. Holtje
Assistant Examiner—Caron D. Veynar
Attorney, Agent, or Firm—Johnson & Gibbs

[57] **CLAIM**

The ornamental design for the document feeder, as shown and described.

DESCRIPTION

FIG. 1 is a left, front and top perspective view of a document feeder showing my new design; FIG. 2 is a left side elevational view thereof; FIG. 3 is a right side elevational view thereof; FIG. 4 is a rear elevational view thereof; FIG. 5 is a front elevational view thereof; FIG. 6 is a top plan view thereof; and FIG. 7 is a bottom plan view thereof.



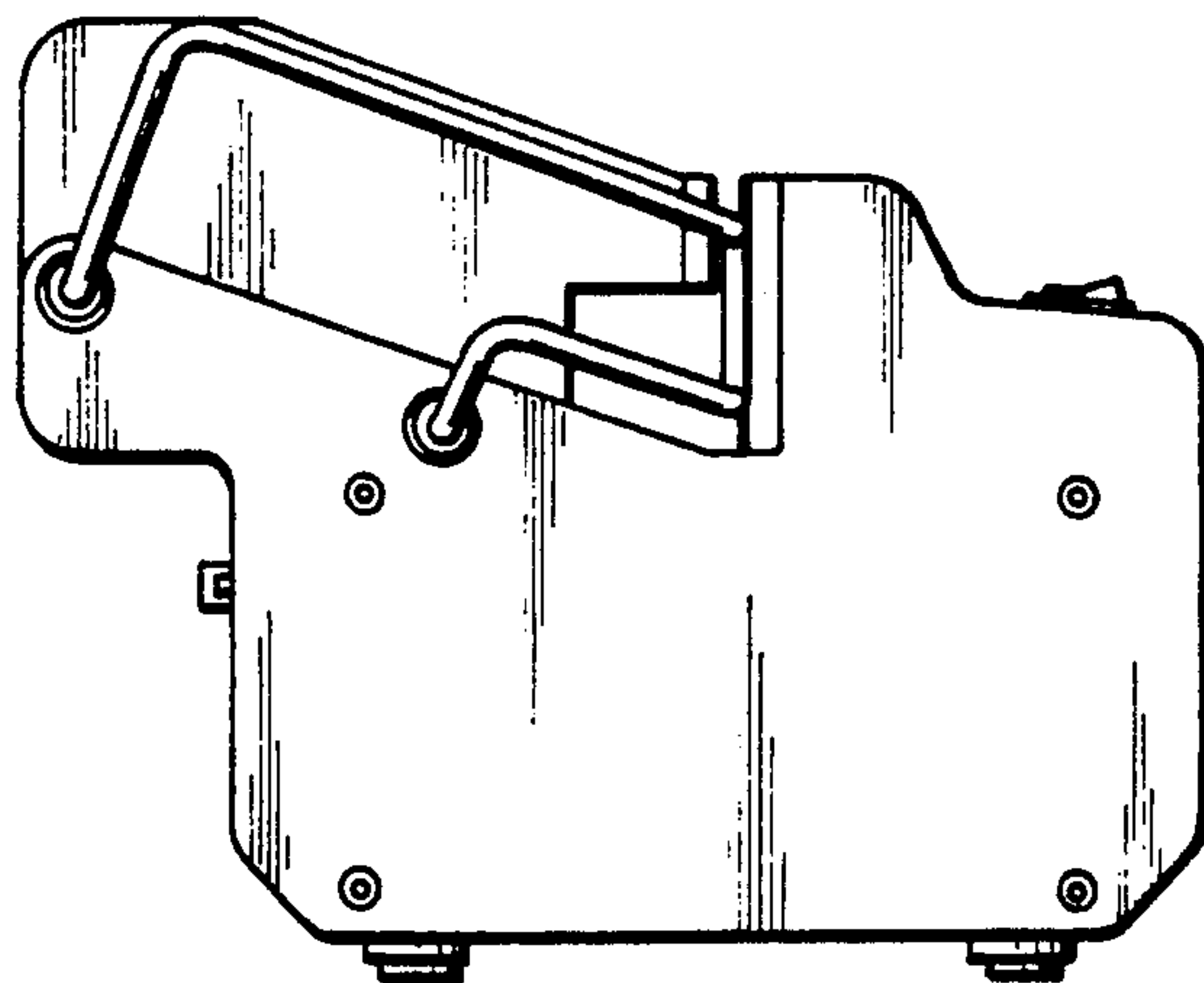


FIG. 2

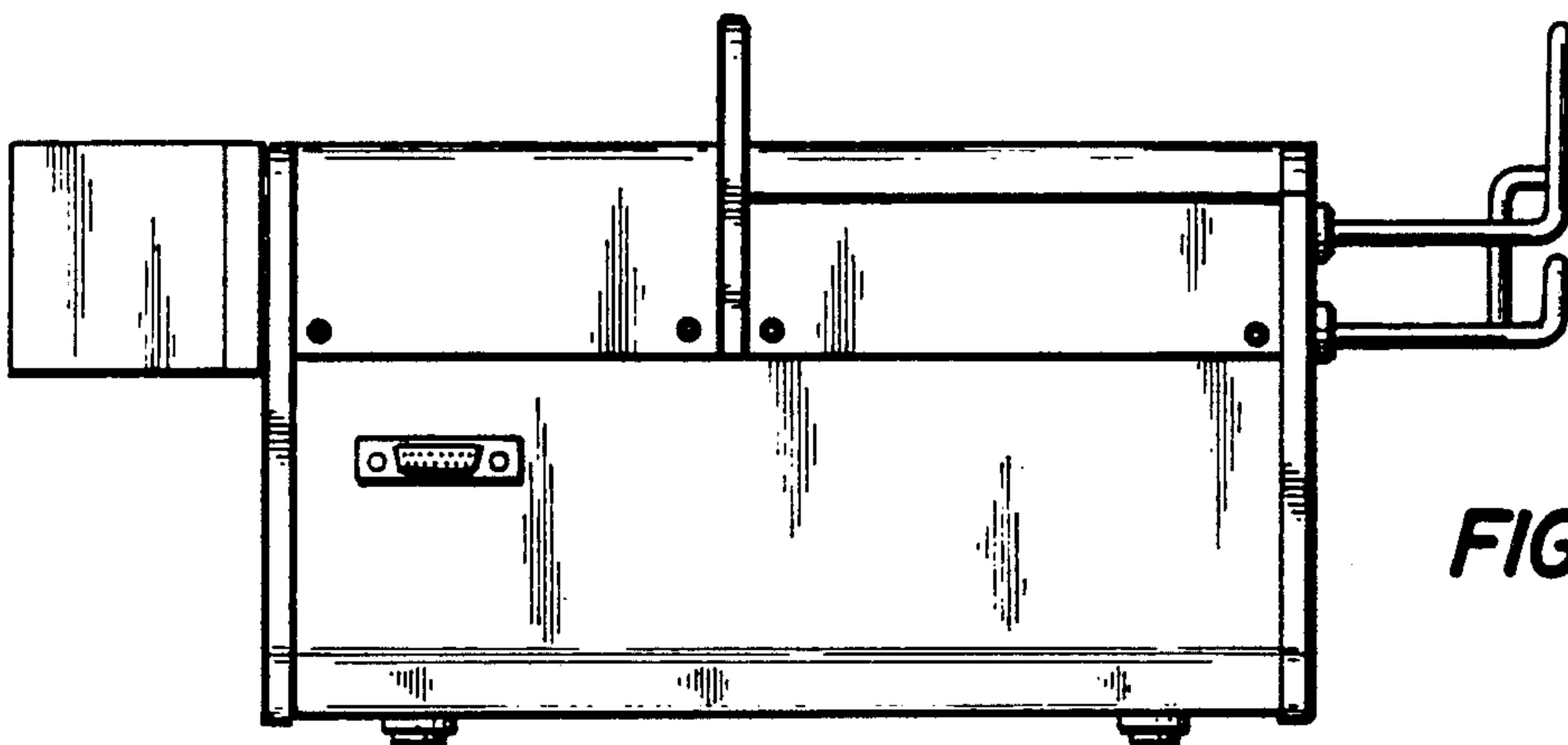


FIG. 4

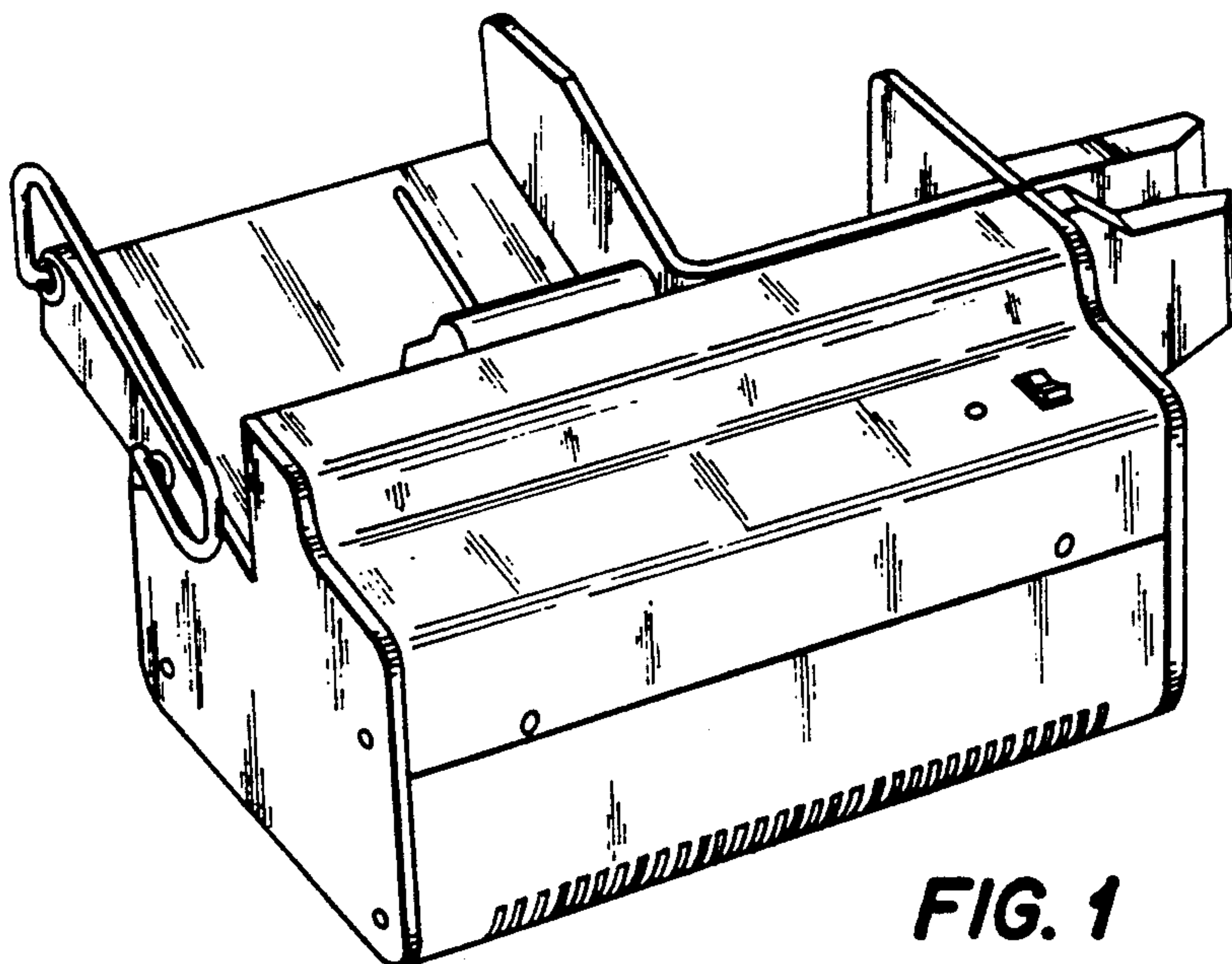


FIG. 1

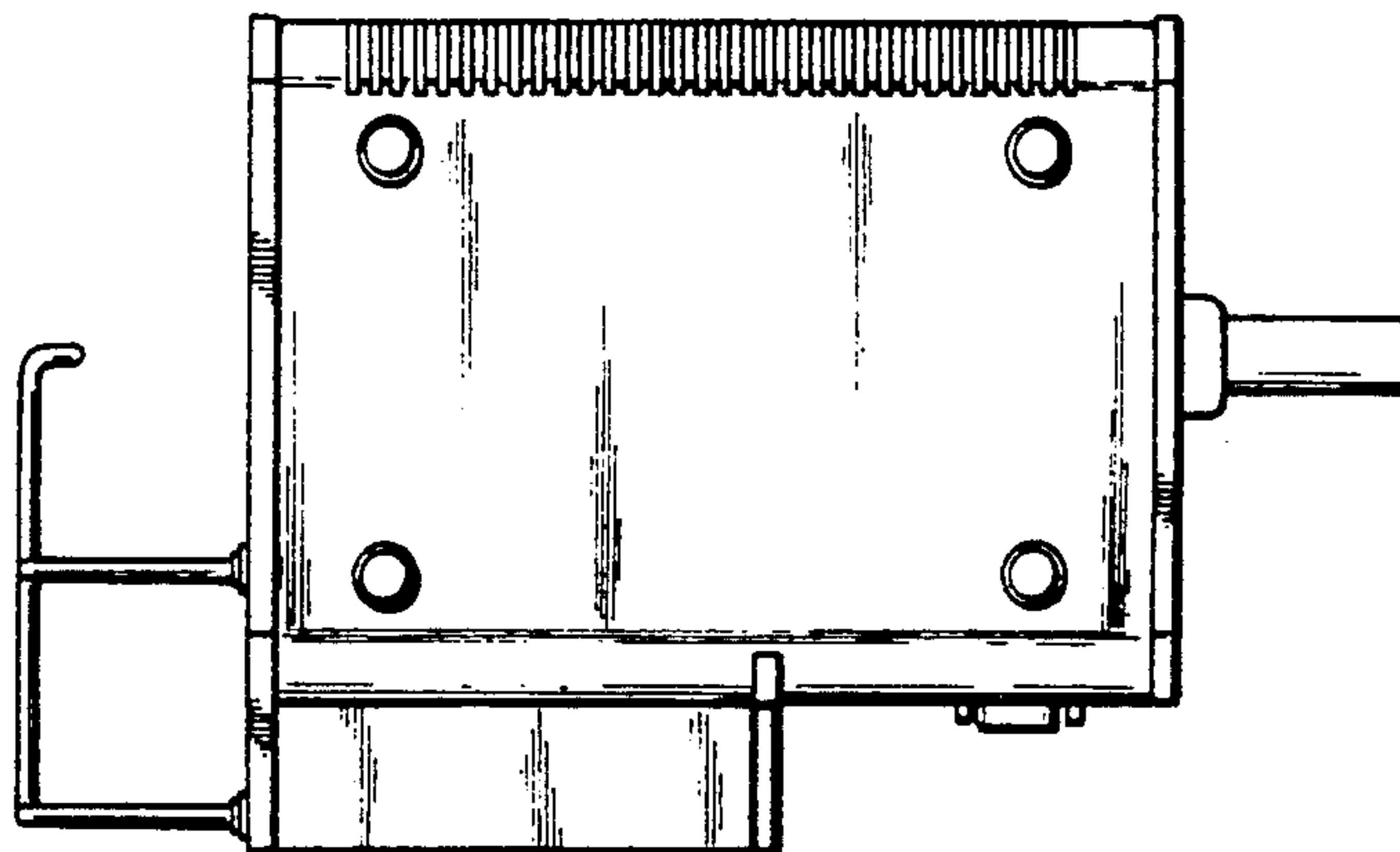


FIG. 7

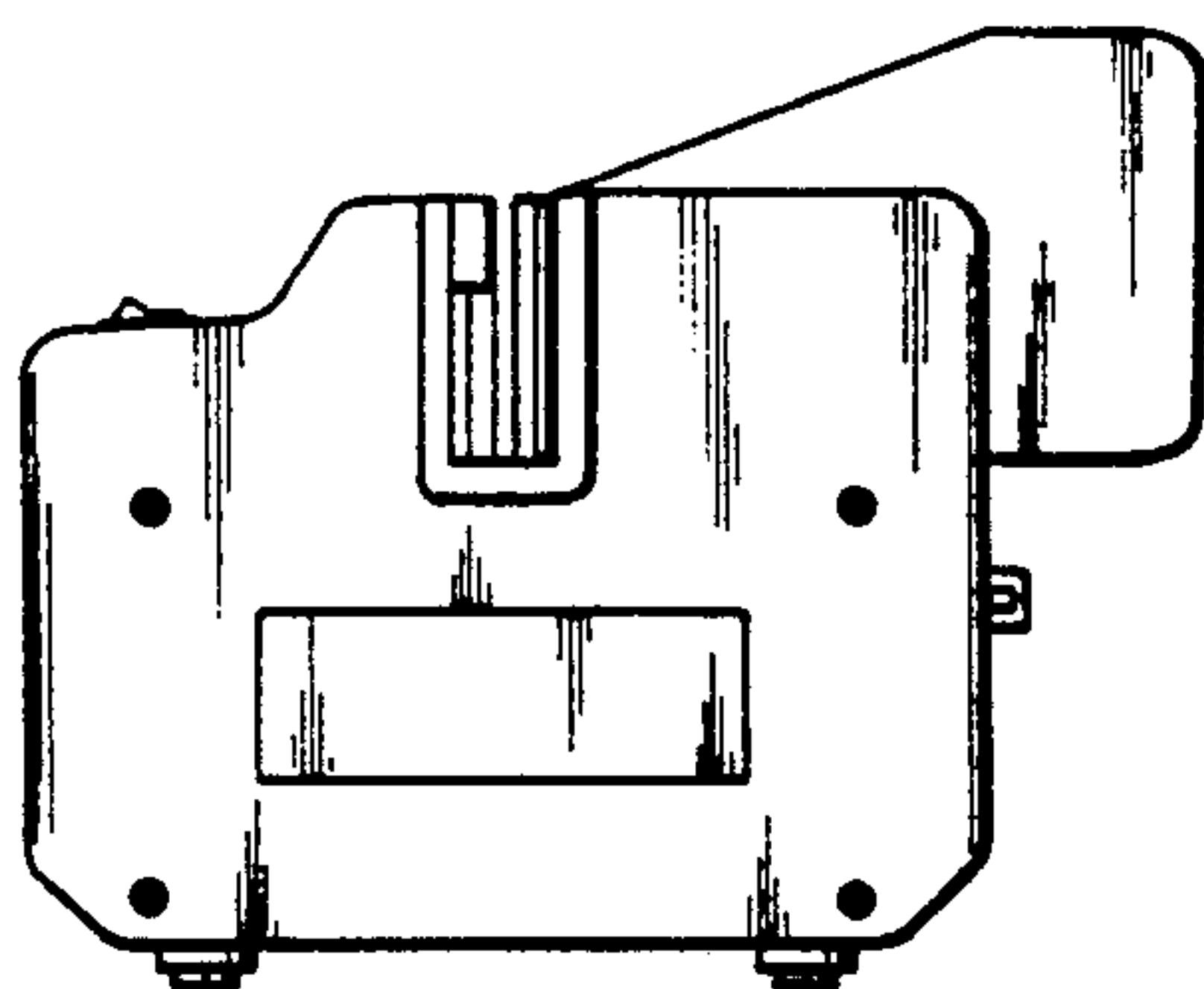


FIG. 3

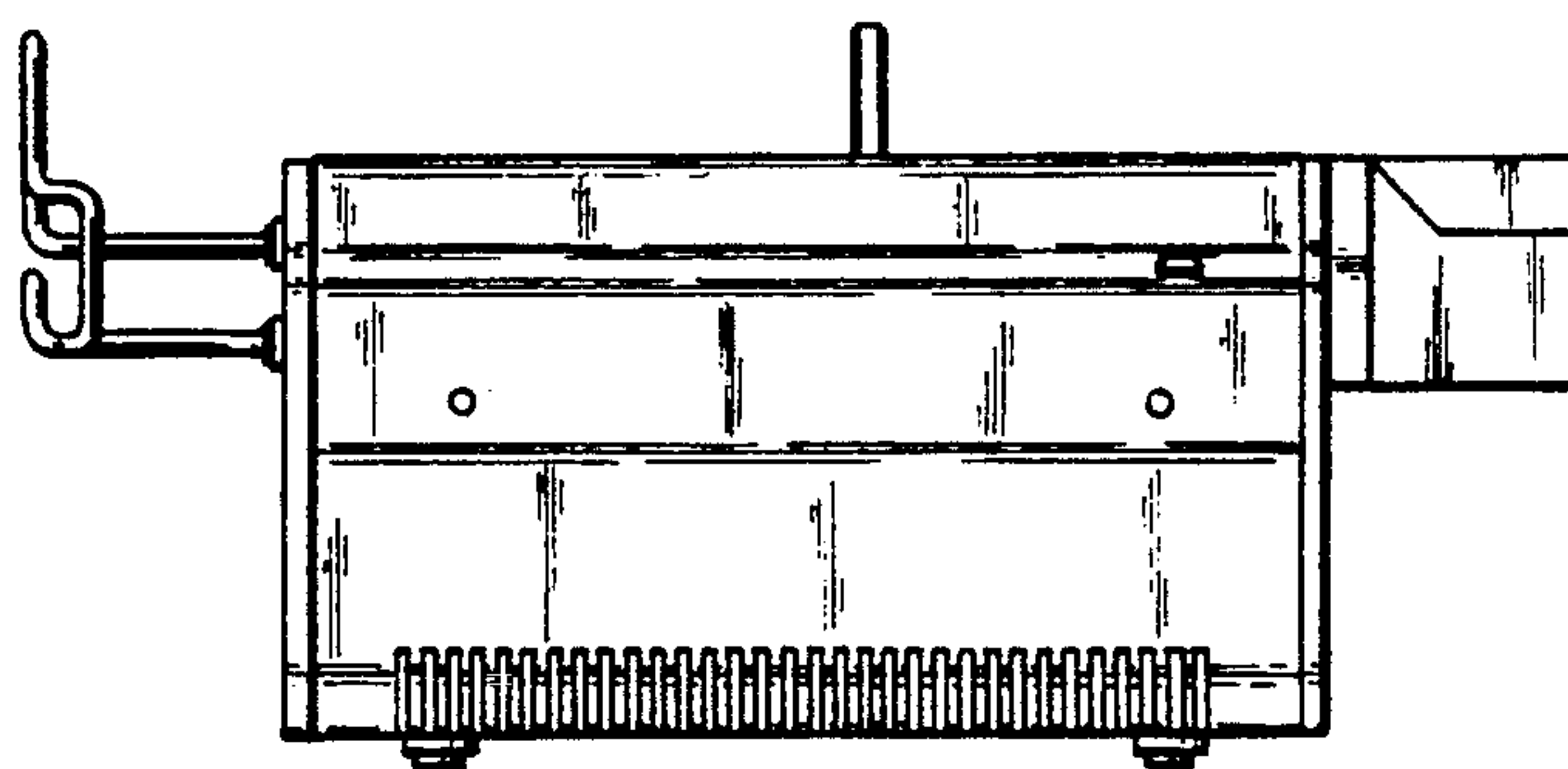


FIG. 5

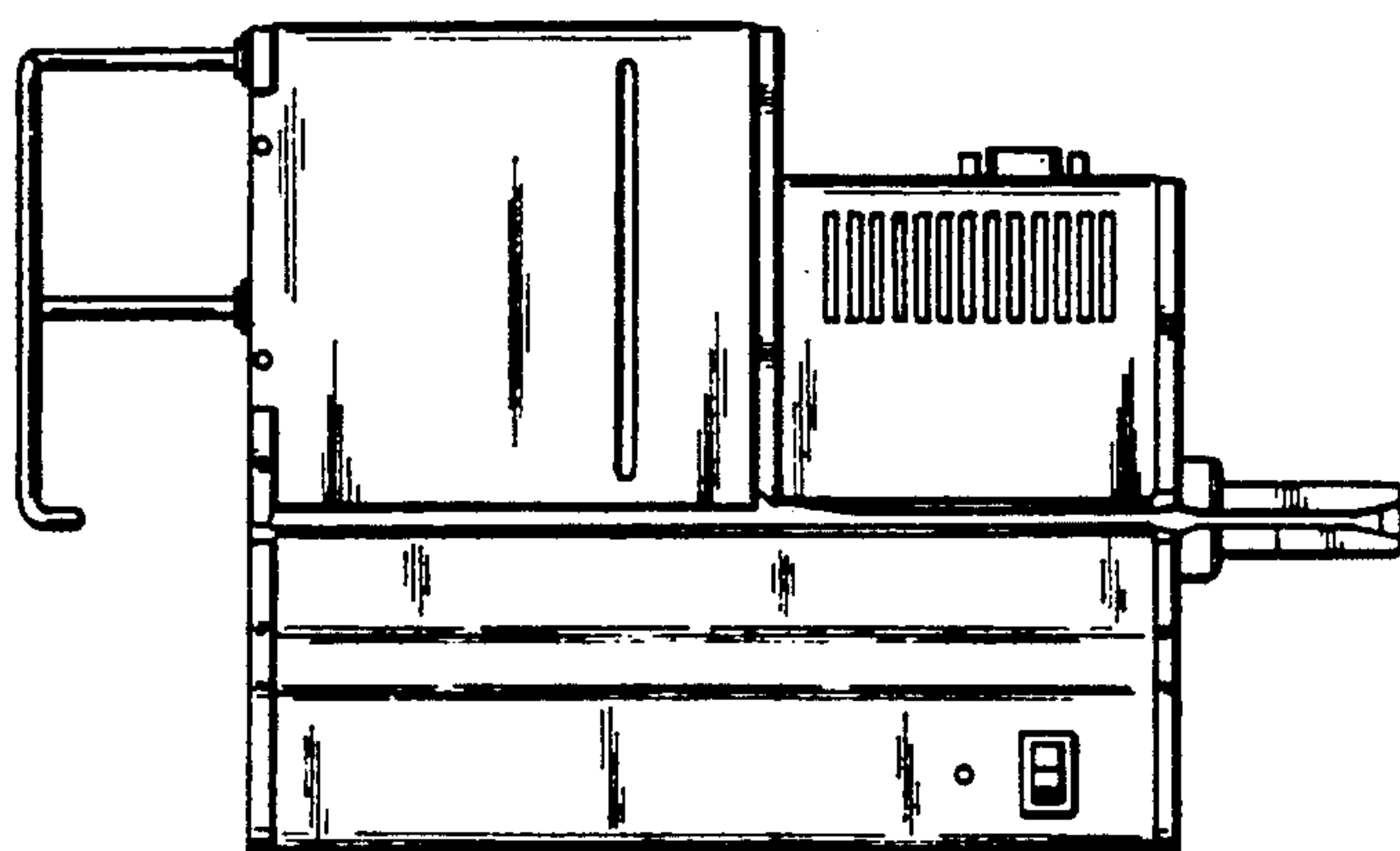


FIG. 6