

[54] DISPLAY UNIT FOR AN OVERHEAD PROJECTOR

4,732,468 3/1988 Wright 353/122

[75] Inventor: Masaaki Iino, Yokohama, Japan

[73] Assignee: Kabushiki Kaisha Toshiba, Kawasaki, Japan

[**] Term: 14 Years

[21] Appl. No.: 315,039

[22] Filed: Feb. 24, 1989

[30] Foreign Application Priority Data

Sep. 13, 1988 [JP] Japan 63-35997

[52] U.S. Cl. D16/235; D6/300; D16/236

[58] Field of Search D6/300, 308, 310-312; D16/221, 225, 232, 235, 236; D18/40; 40/152, 159.2, 490, 511, 513; 353/61, 66, 98, 119, 122, DIG. 3, DIG. 4, DIG. 5

[56] References Cited

U.S. PATENT DOCUMENTS

- D. 270,067 8/1983 Ackeret D6/308
- D. 270,068 8/1983 Ackeret D6/308
- D. 302,434 7/1989 Cawthorne D16/236
- D. 309,679 8/1990 Ackeret D6/311
- 3,281,977 11/1966 Koontz 40/159.2
- 3,544,211 12/1970 Albee, Jr. 353/DIG. 5
- 3,642,359 2/1972 Kitch 353/98
- 4,632,529 12/1986 Levin 353/122

OTHER PUBLICATIONS

Catalog of DG/One DP-400 System of Nippon Data General.

Sharp LCD Unit QA-50, "Dempa Shimbun", published Feb. 9, 1988.

Fujitsu LCT "Dempa Shimbun", published Mar. 28, 1988.

Primary Examiner—Bernard Ansher

Assistant Examiner—Adir Aronovich

Attorney, Agent, or Firm—Oblon, Spivak, McClelland, Maier & Neustadt

[57] CLAIM

The ornamental design for a display unit for an overhead projector, as shown and described.

DESCRIPTION

FIG. 1 is a front perspective view of a display unit for an overhead projector showing my new design; FIG. 2 is a front elevational view thereof; FIG. 3 is a right side elevational view thereof; FIG. 4 is a left side elevational view thereof; FIG. 5 is a top plan view thereof; FIG. 6 is a rear elevational view thereof; FIG. 7 is a bottom plan view thereof; and FIG. 8 is a perspective view thereof, the dotted line portion depicting an overhead projector and a personal computer for illustrative purpose only and forming no part of the claimed design.

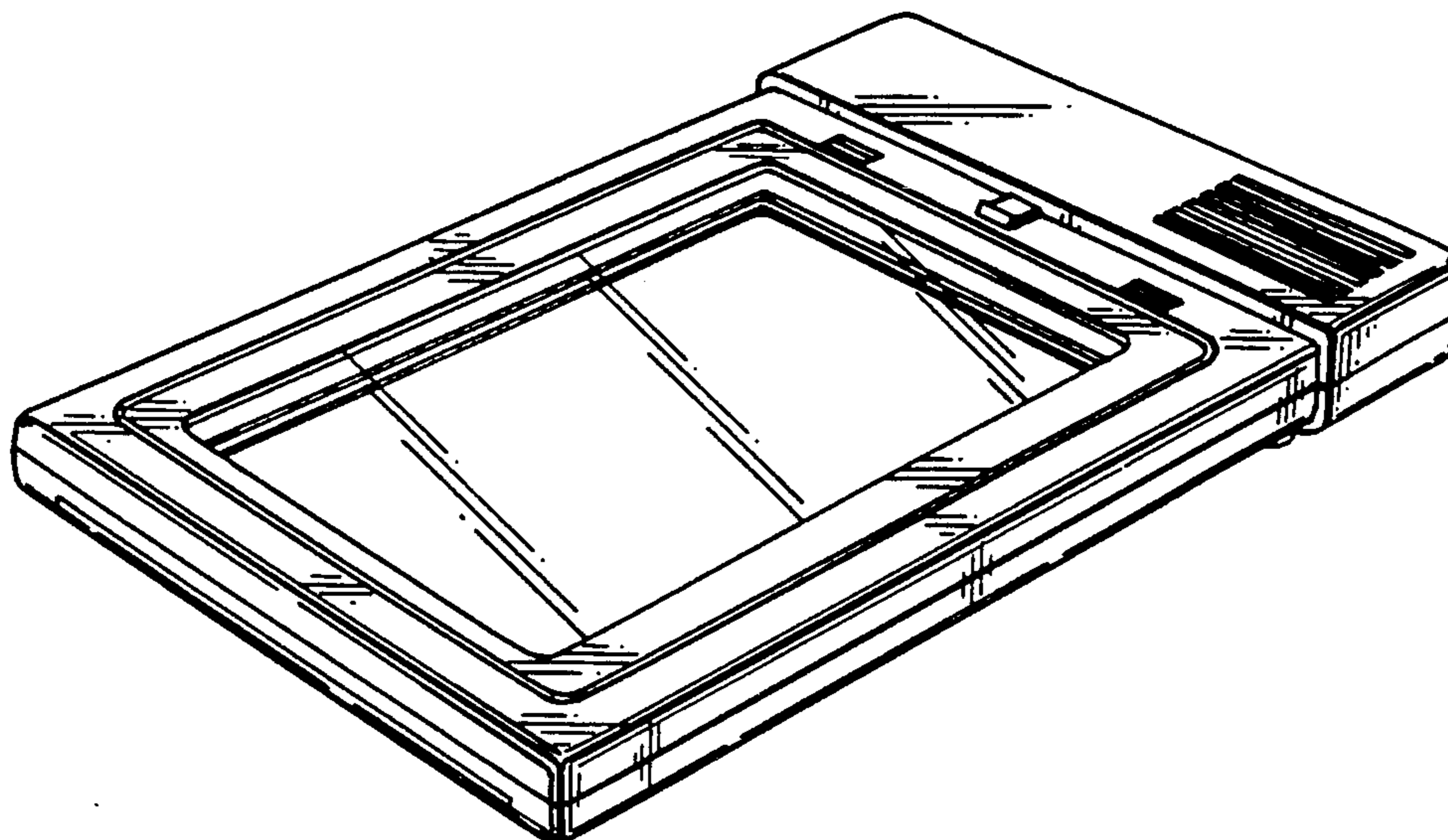


FIG. 1

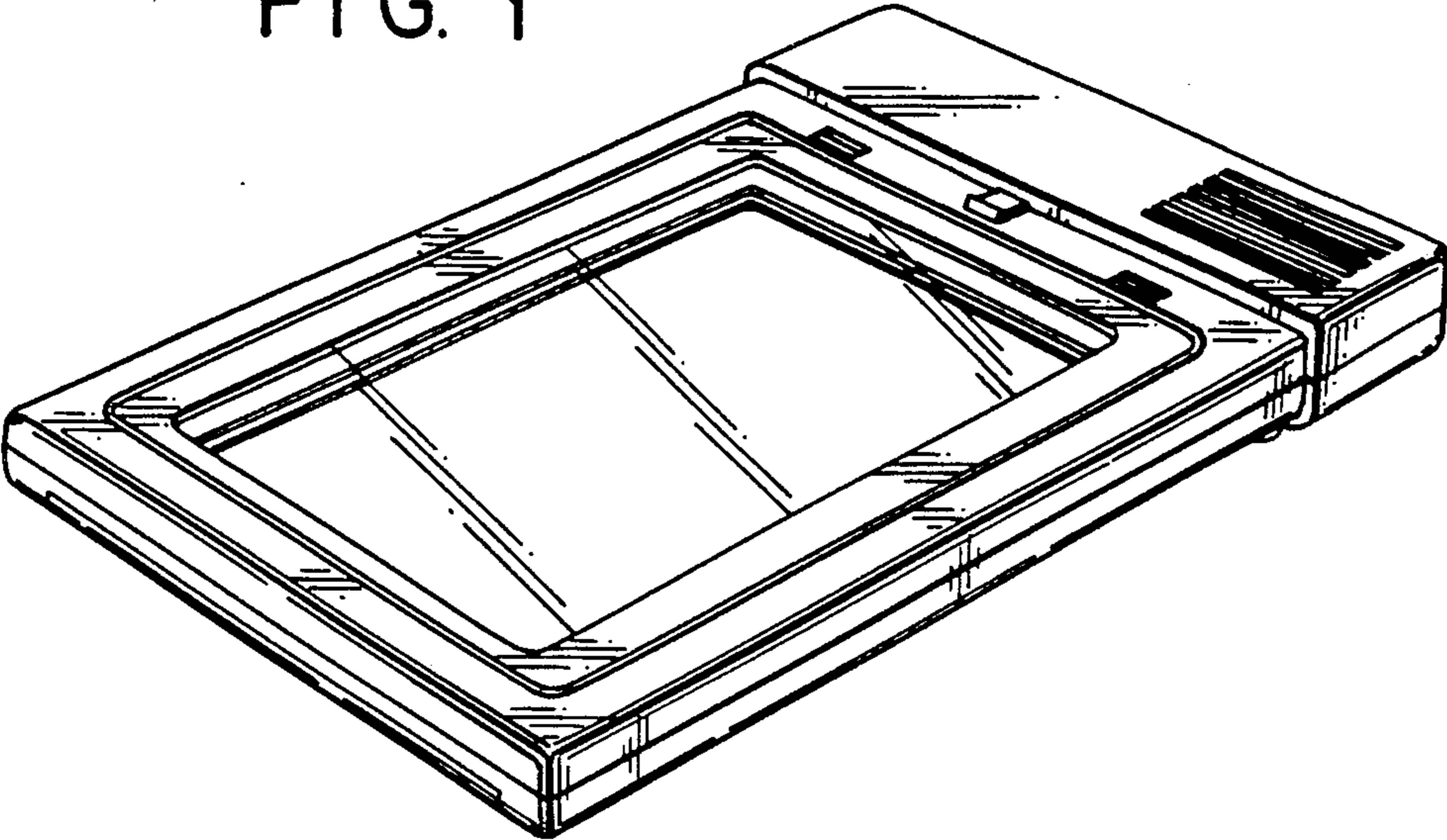


FIG. 2

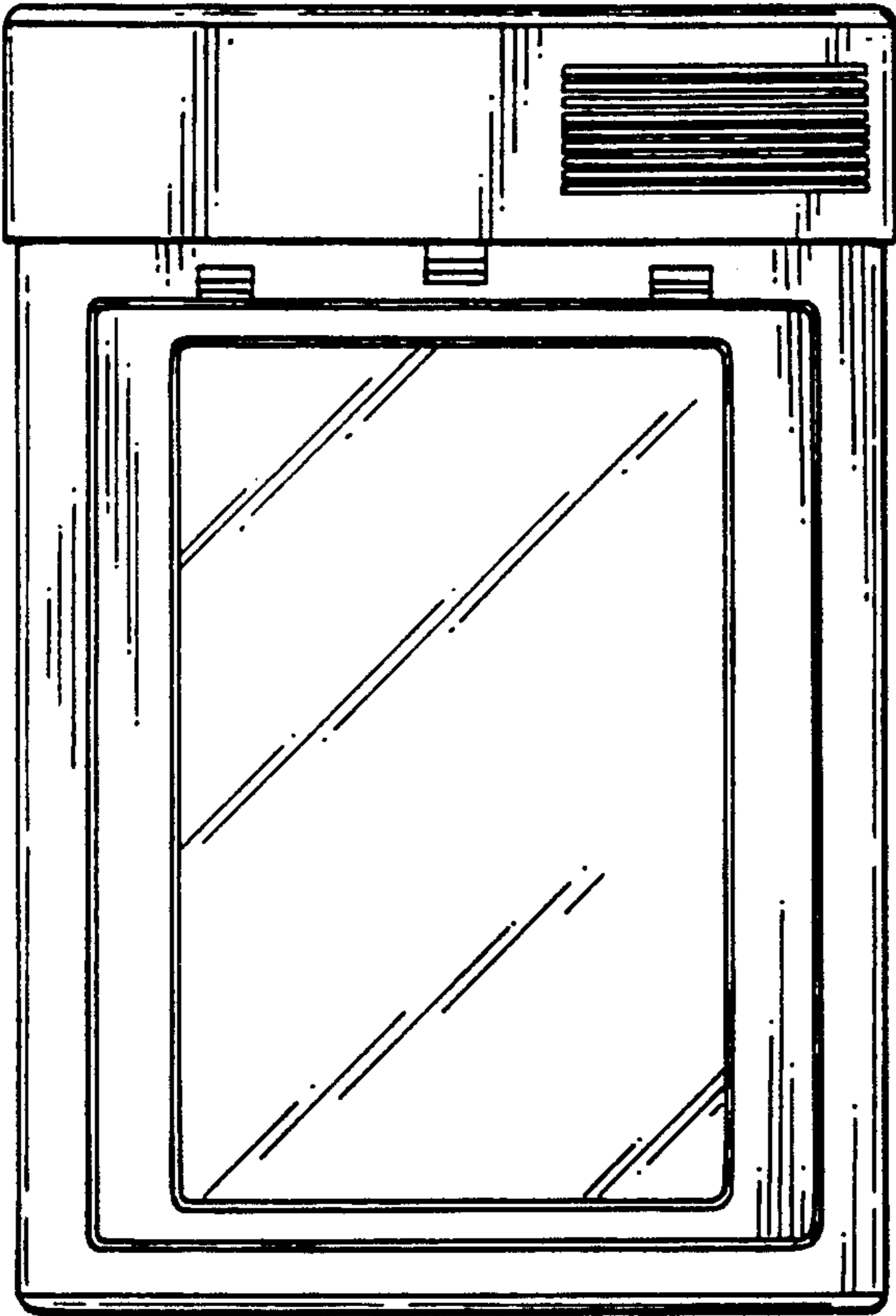


FIG. 3

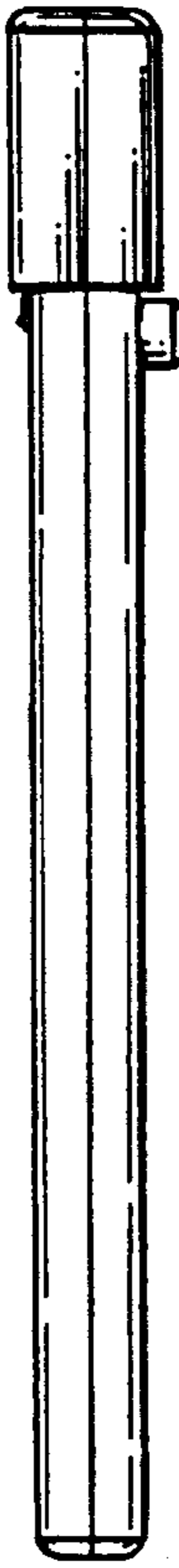


FIG. 4

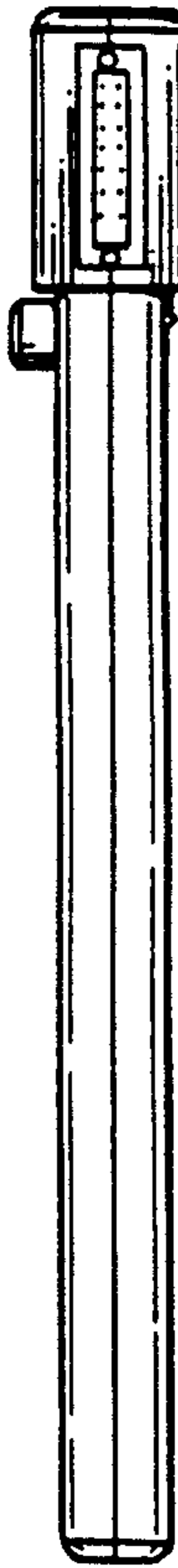


FIG. 5



FIG. 6

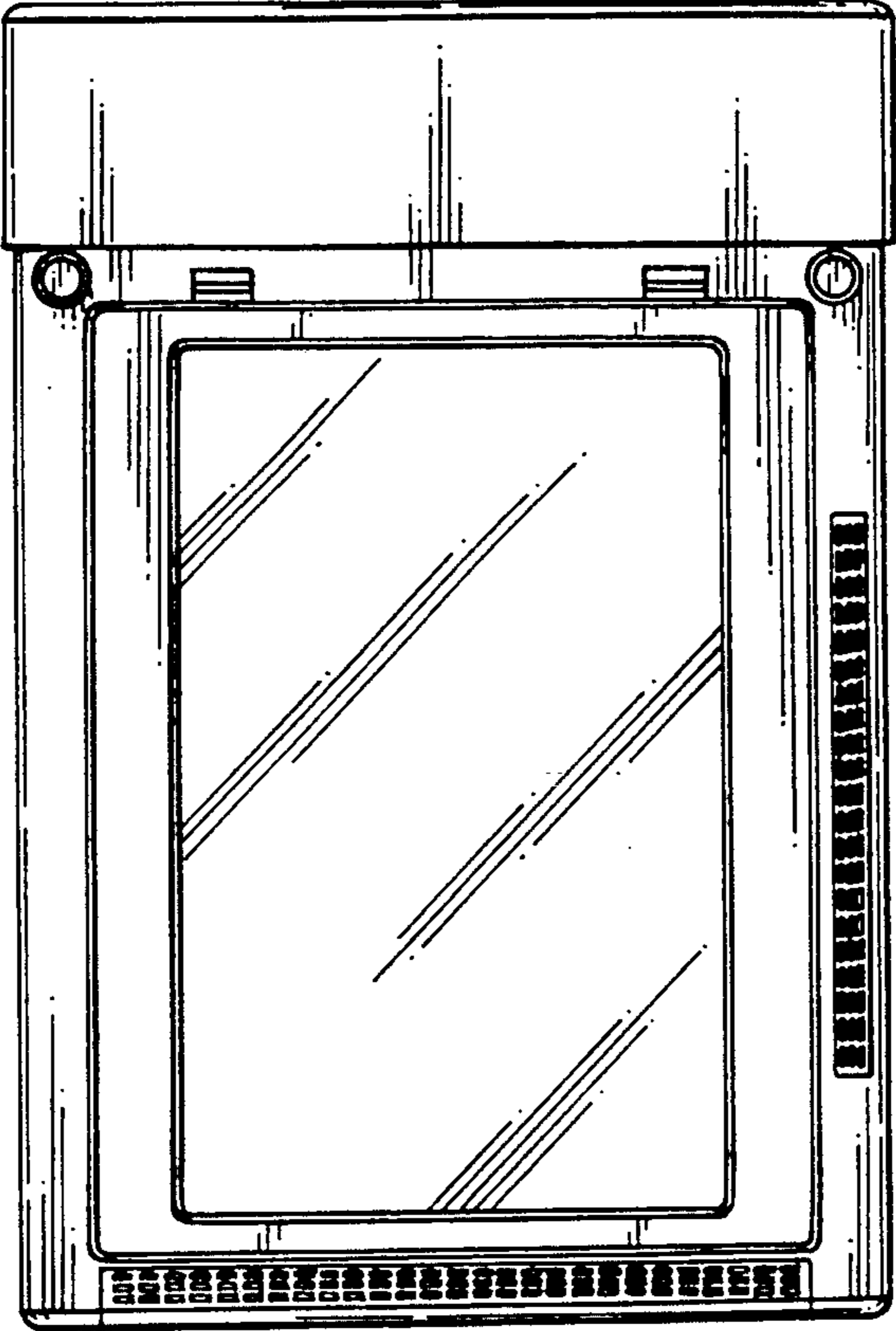


FIG. 7

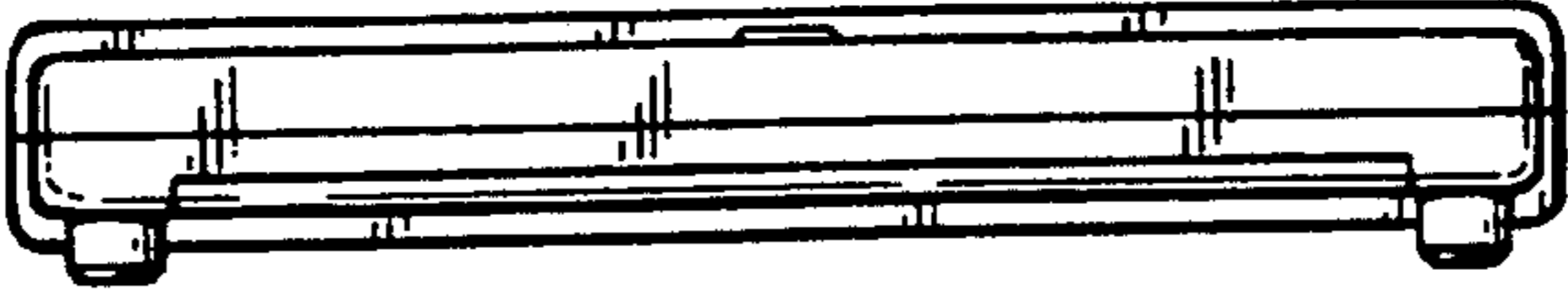


FIG. 8

