

[54] FOLDABLE ADVERTISEMENT SLIDE PROJECTOR

[75] Inventor: Billy Cheng, Taipei, Taiwan
[73] Assignee: Easterntec, Inc., Taipei, Taiwan
[**] Term: 14 Years
[21] Appl. No.: 376,406
[22] Filed: Jul. 7, 1989
[52] U.S. Cl. D16/229
[58] Field of Search D16/221, 225, 229;
40/152, 152.1, 159.2, 361, 362, 364-367, 661;
434/430

[56] References Cited

U.S. PATENT DOCUMENTS

D. 289,769 5/1987 Geissler D16/229
4,144,661 3/1979 Gosanko et al. 40/661
4,337,590 7/1982 Jackson 40/661
4,384,416 5/1983 Kanzelberger 40/661

4,496,127 1/1985 Nelson 40/661

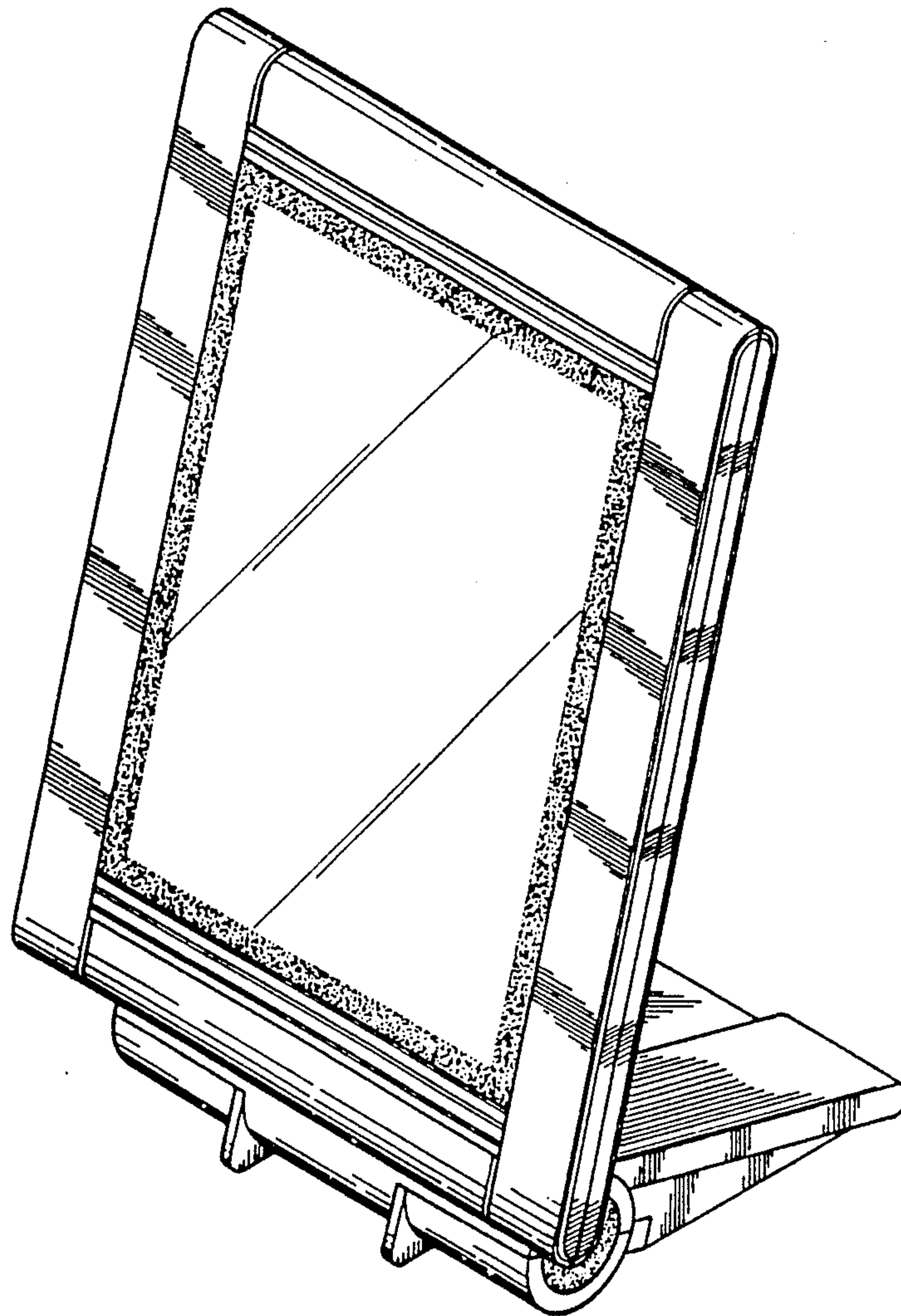
Primary Examiner—Bernard Ansher
Assistant Examiner—Adir Aronovich
Attorney, Agent, or Firm—Fleit, Jacobson, Cohn, Price,
Holman & Stern

[57] CLAIM

The ornamental design for a foldable advertisement slide projector, as shown and described.

DESCRIPTION

FIG. 1 is a top, front perspective view of a foldable advertisement slide projector;
FIG. 2 is a front elevational view thereof;
FIG. 3 is a rear elevational view thereof;
FIG. 4 is the top plan view thereof;
FIG. 5 is a bottom plan view thereof;
FIG. 6 is a left side elevational view thereof;
FIG. 7 is a right side elevational view thereof, and
FIG. 8 is the right side elevational view in a folded position.



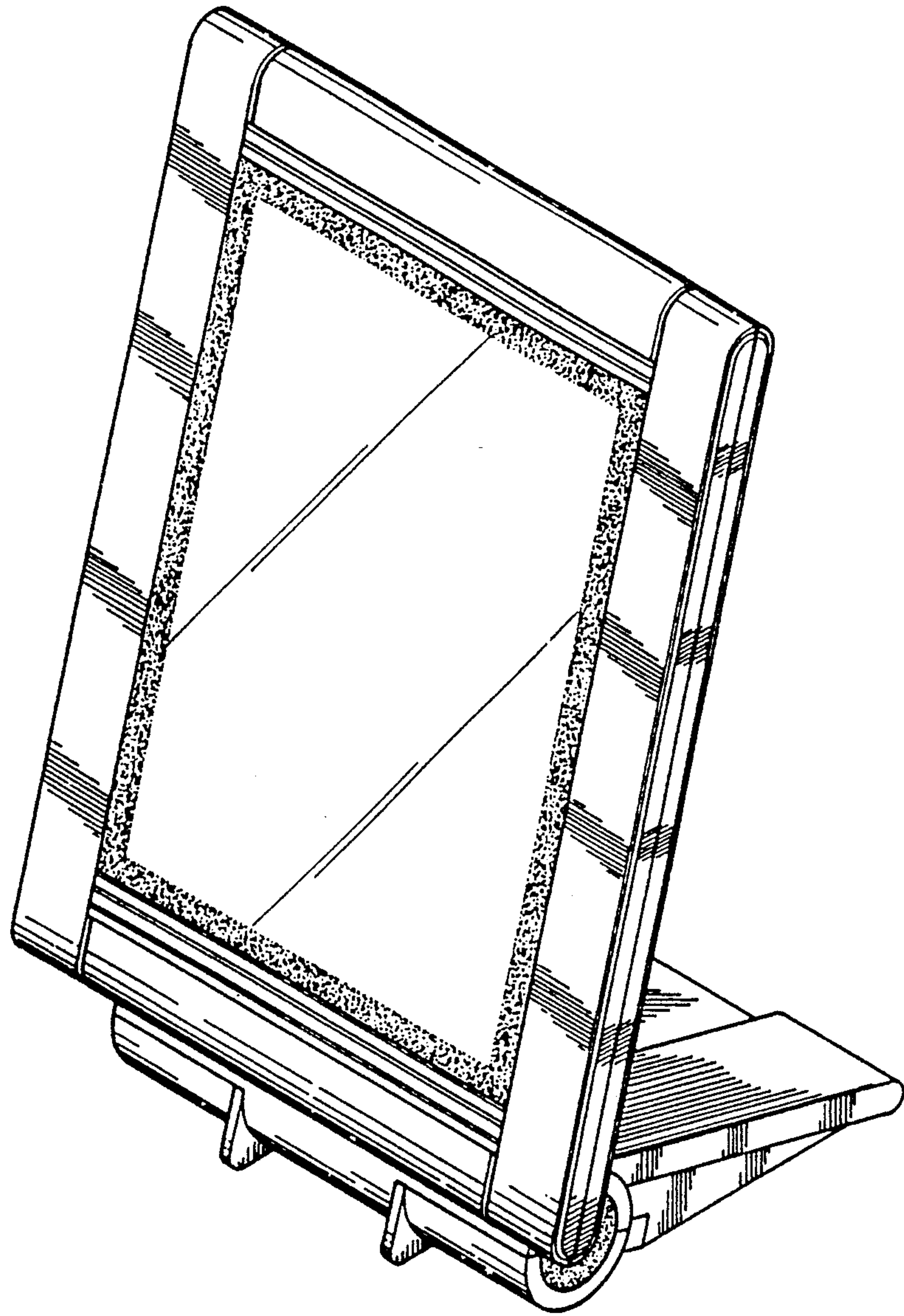


FIG. 1

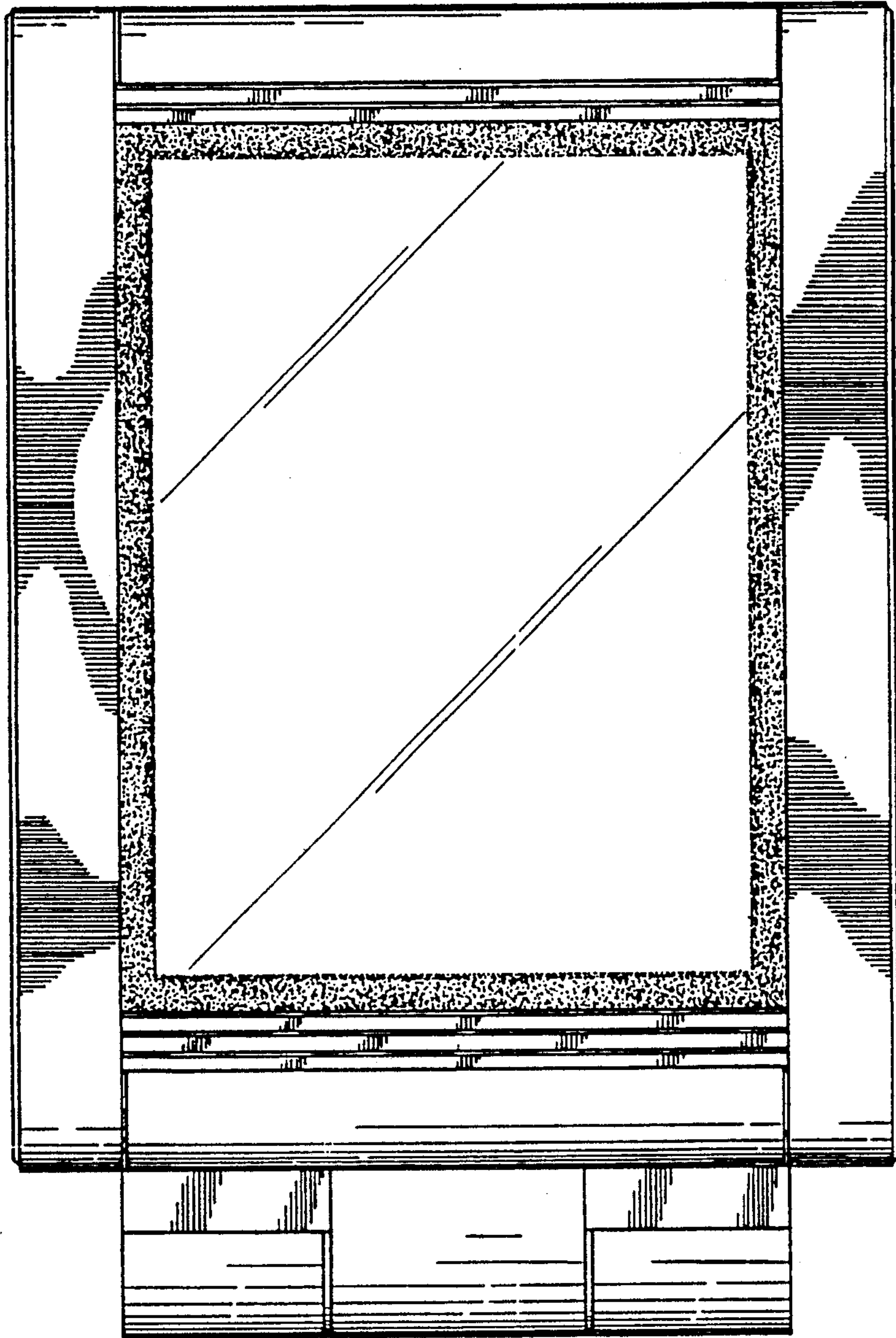


FIG.2

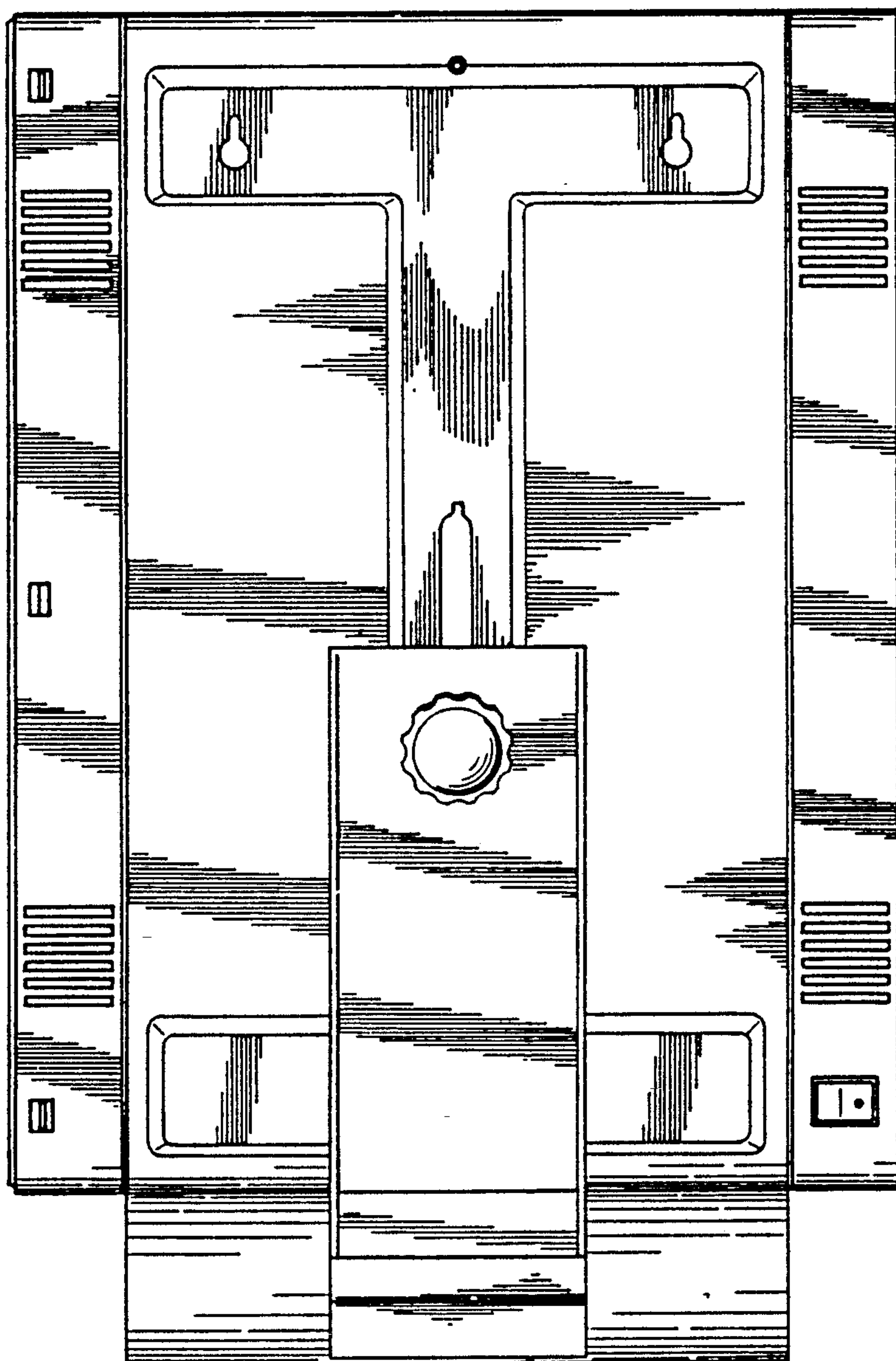


FIG. 3

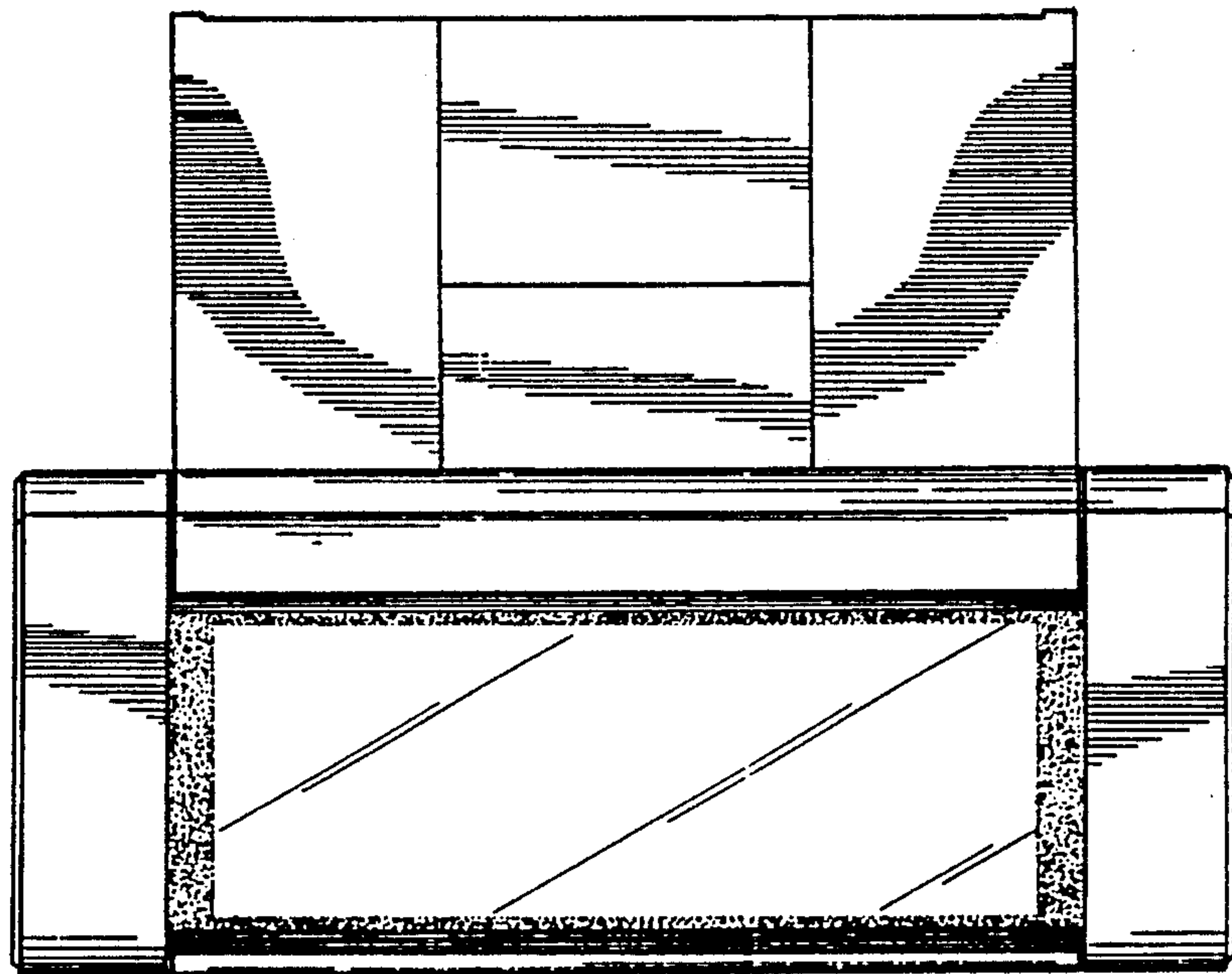


FIG.4

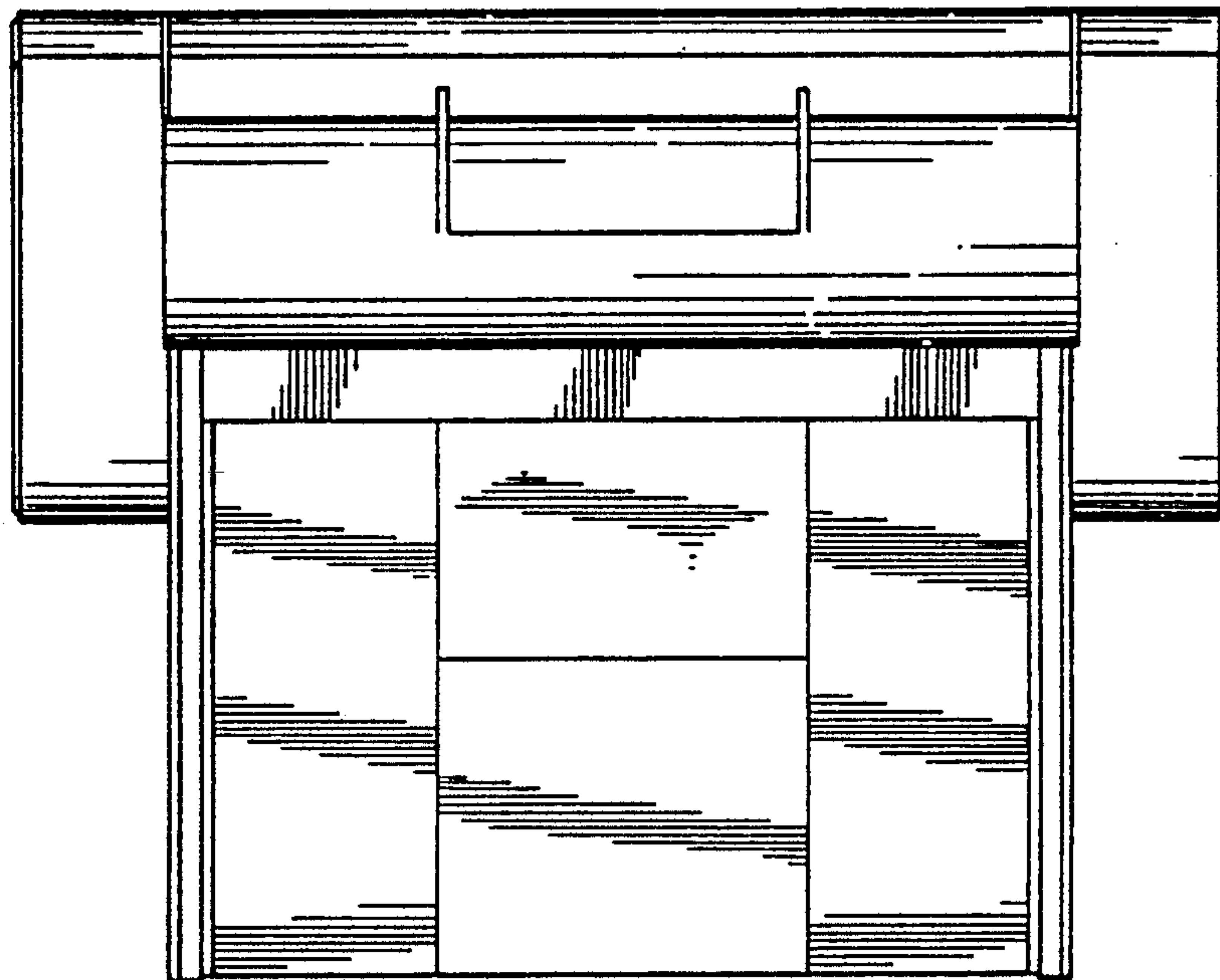


FIG.5

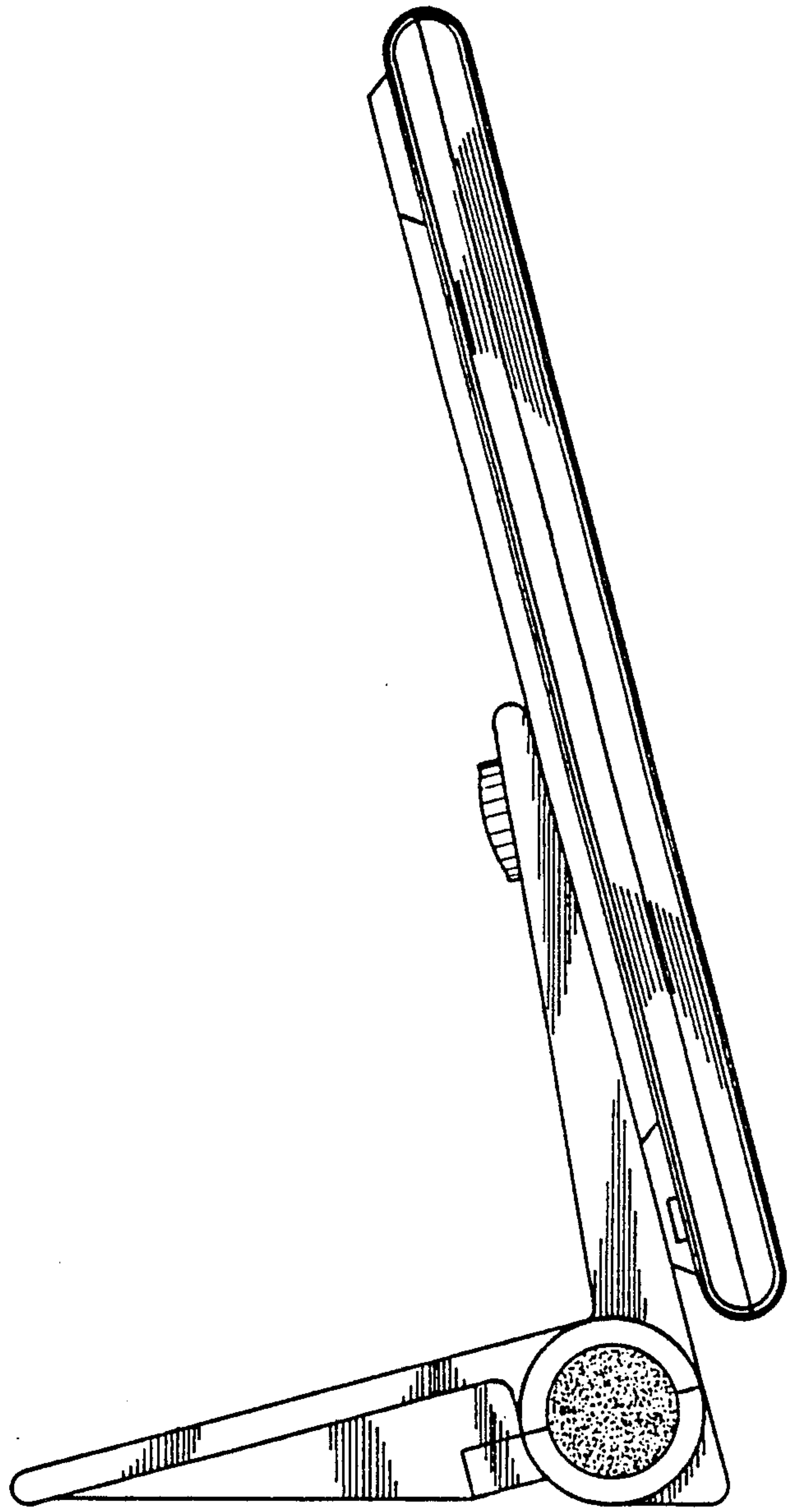


FIG. 6

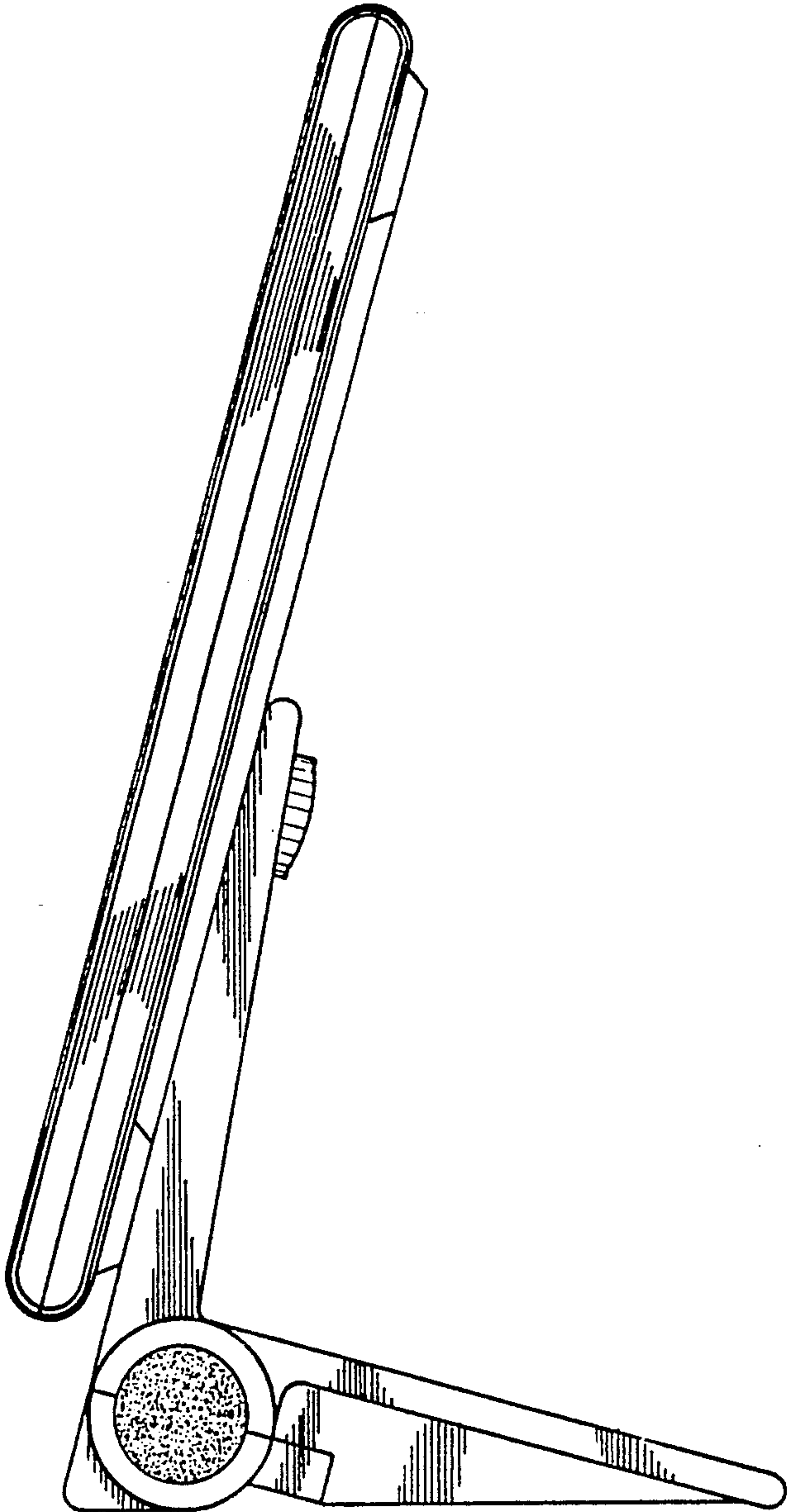


FIG. 7

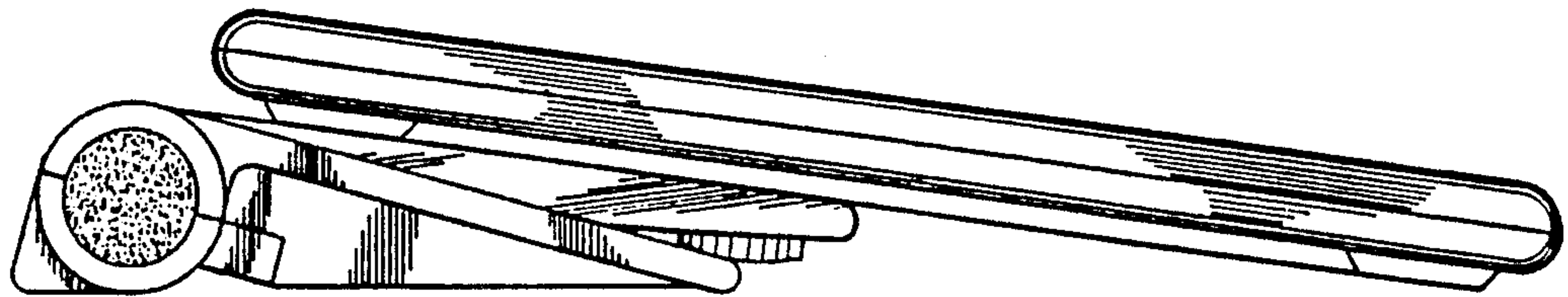


FIG. 8