

[54] POP-UP STROBE CAMERA OR SIMILAR ARTICLE

4,764,782 8/1988 Wheeler 354/126

[75] Inventor: John H. Betts, New York, N.Y.

[73] Assignee: Polaroid Corporation, Cambridge, Mass.

[*] Notice: The portion of the term of this patent subsequent to Sep. 17, 2005 has been disclaimed.

[**] Term: 14 Years

[21] Appl. No.: 167,430

[22] Filed: Mar. 14, 1988

[52] U.S. Cl. D16/211; D16/209

[58] Field of Search D16/200, 202, 203, 204, D16/208, 209, 211, 213, 216-218; 354/79, 126, 149.11, 187, 288

[56] References Cited

U.S. PATENT DOCUMENTS

- D. 279,574 7/1985 Conner et al. D16/211
- 4,016,579 4/1977 Lewis, Jr. 354/126
- 4,231,645 11/1980 Davis et al. 354/187

OTHER PUBLICATIONS

Best Products Catalog, 1984-1985, p. 315 (Polaroid Sun 600 Camera, items 3 & 4).

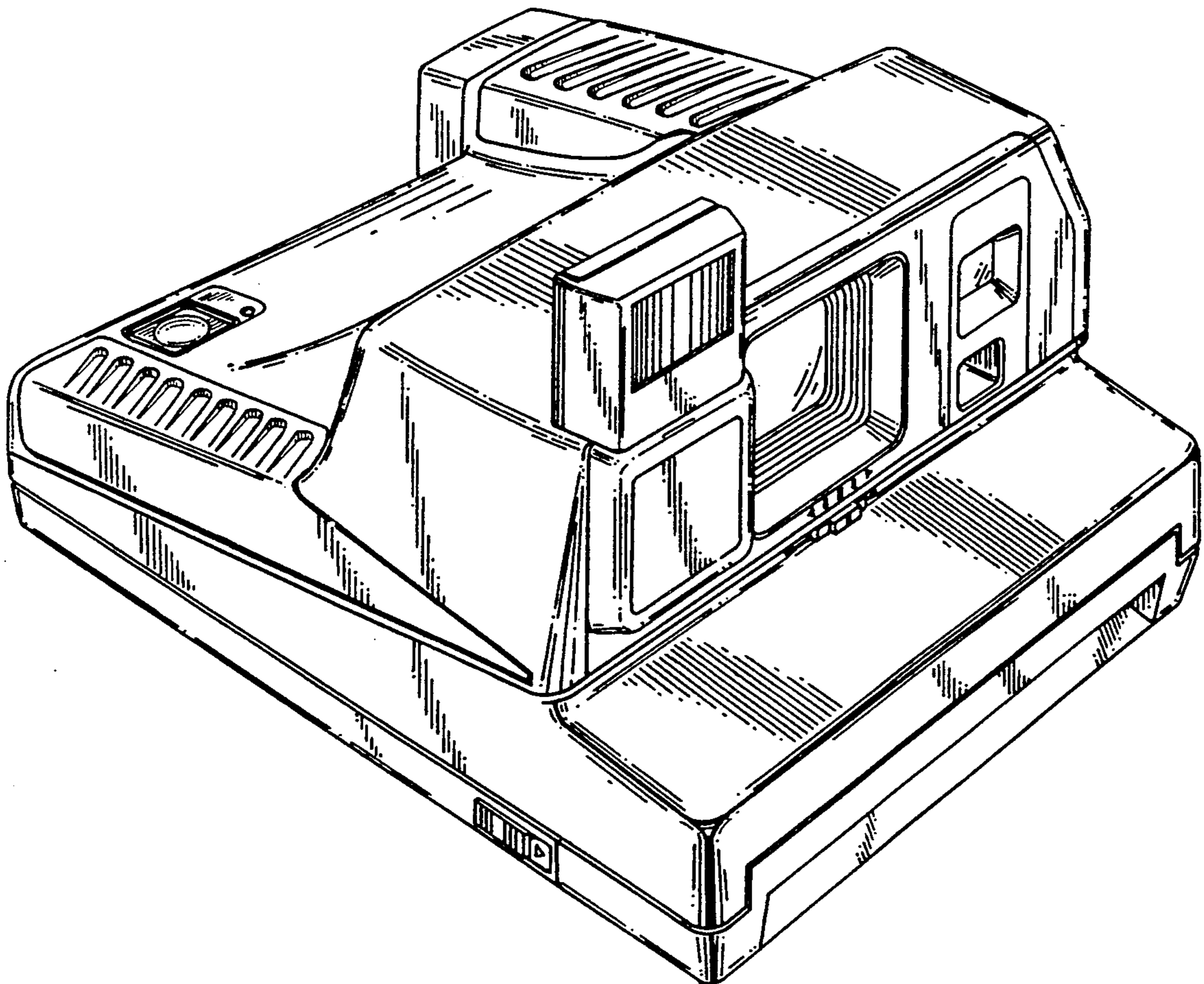
Primary Examiner—Bernard Ansher
Assistant Examiner—Adir Aronovich

[57] CLAIM

The ornamental design for a pop-up strobe camera or similar article, as shown and described.

DESCRIPTION

FIG. 1 is a right front perspective view of a pop-up strobe camera or similar article showing my new design with its flash module in the extended position; FIG. 2 is a front elevational view thereof; FIG. 3 is a rear elevational view thereof; FIG. 4 is a right side elevational view thereof; FIG. 5 is a left side elevational view thereof; FIG. 6 is a top plan view thereof; FIG. 7 is a bottom plan view thereof; and FIG. 8 is a front elevational view thereof with its flash module in the stored position.



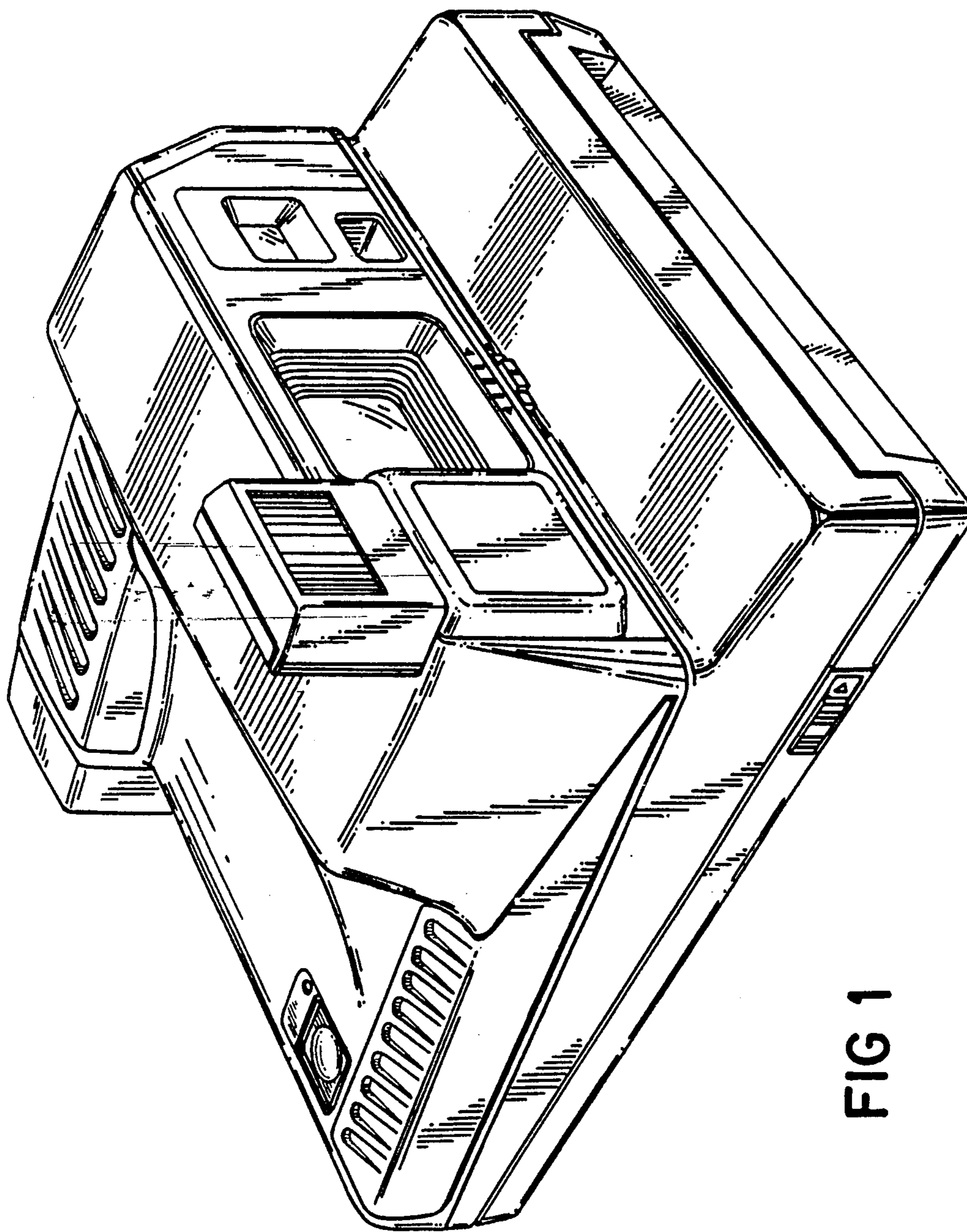


FIG 1

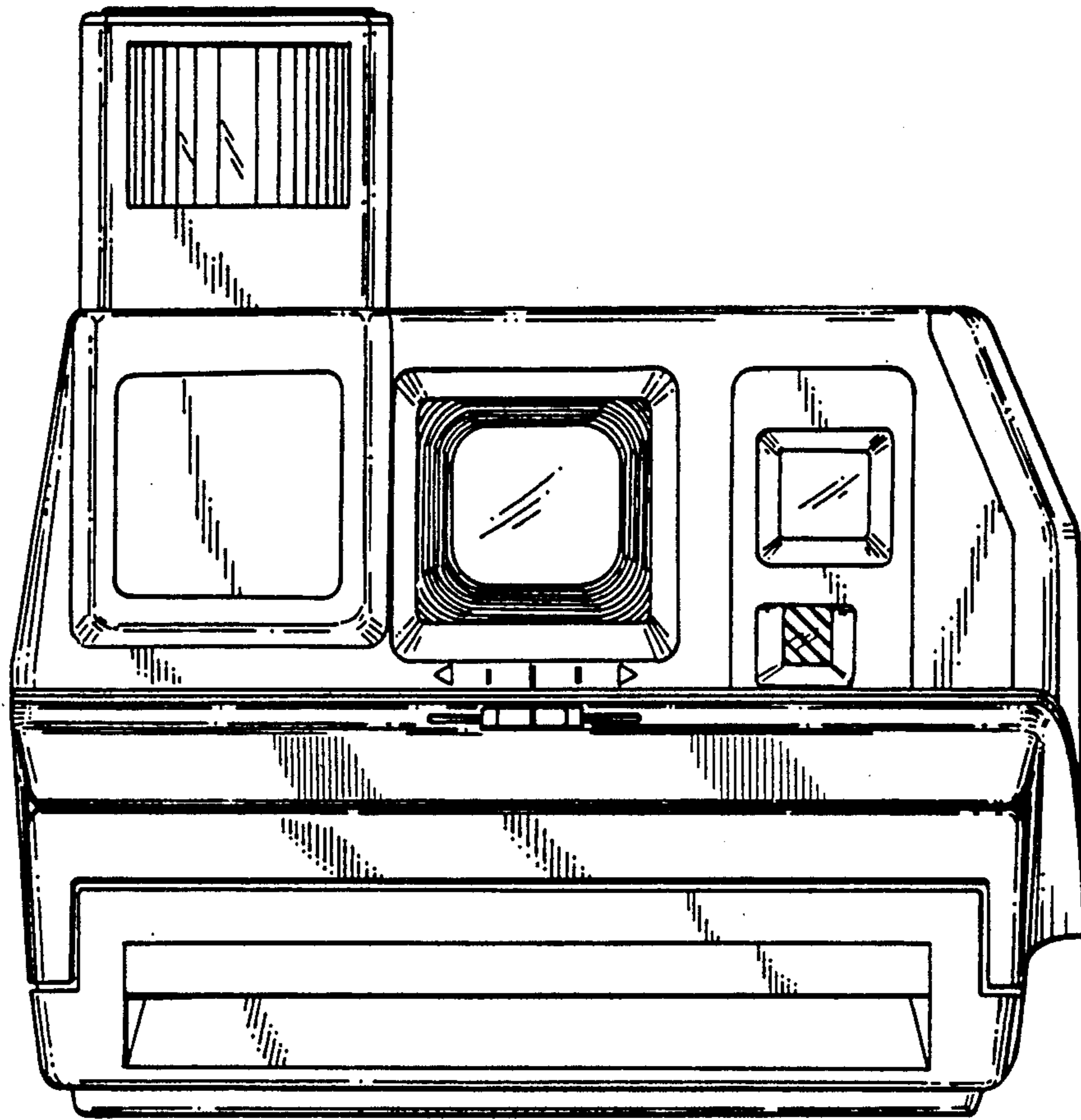


FIG 2

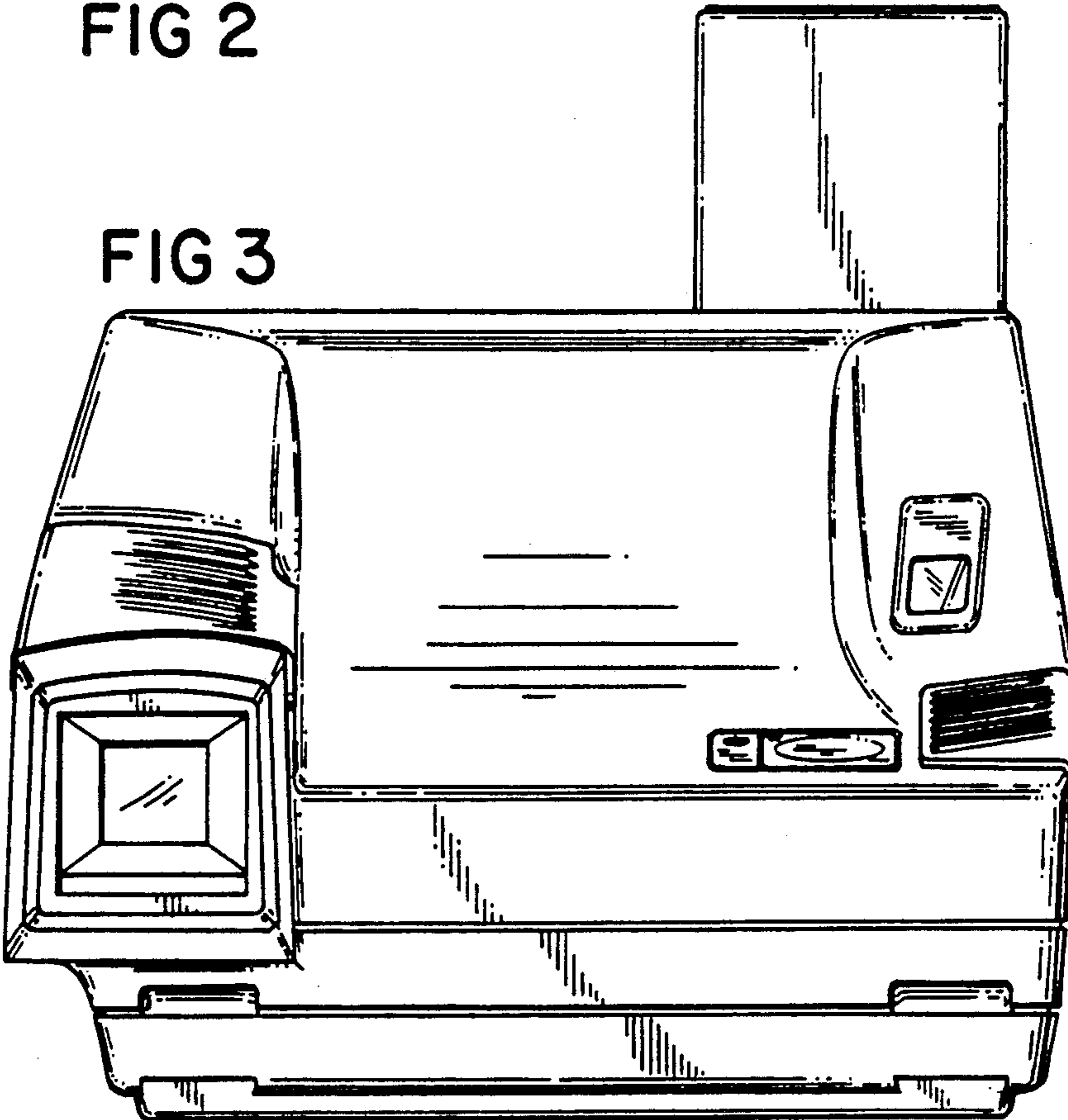


FIG 3

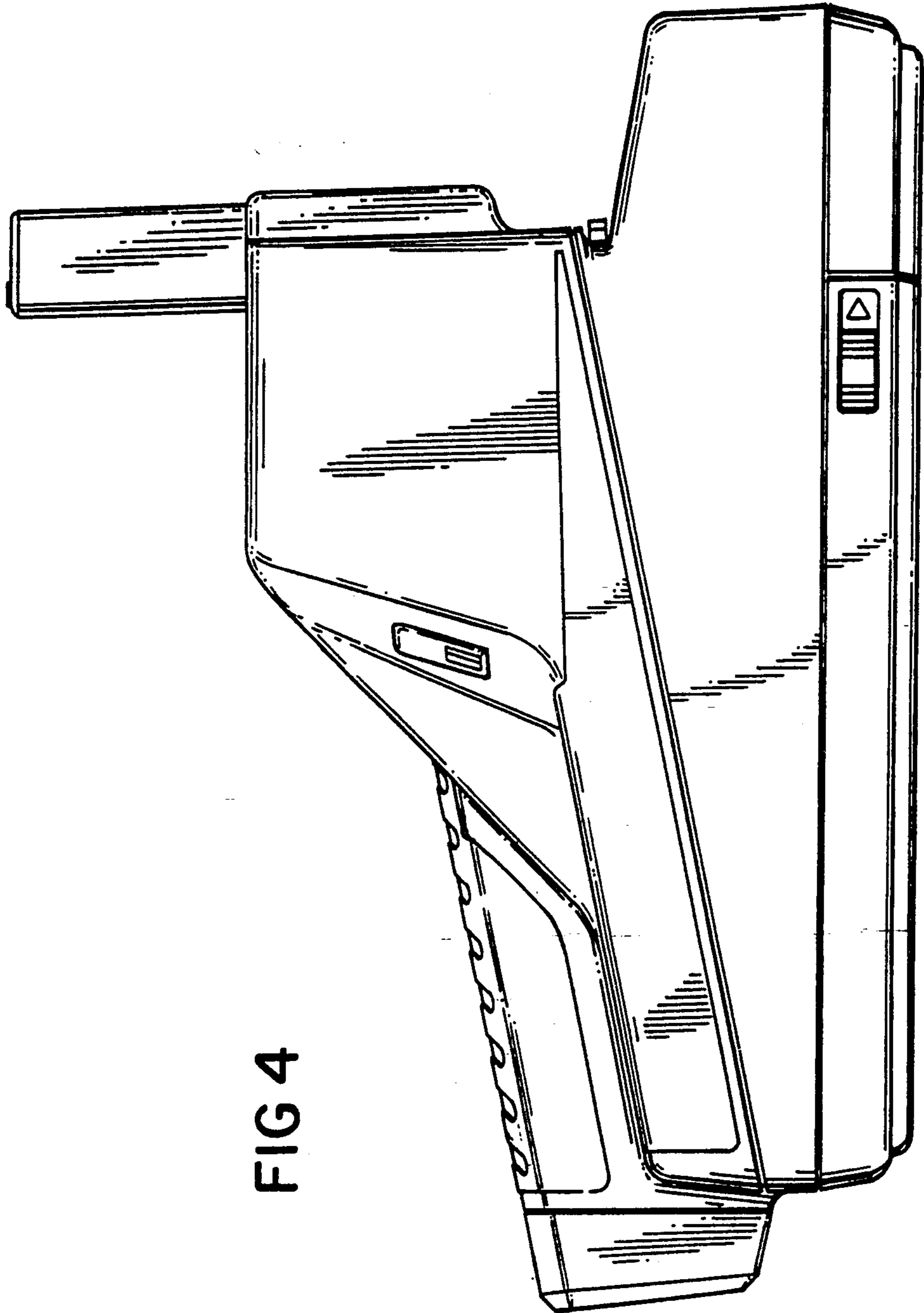


FIG 4

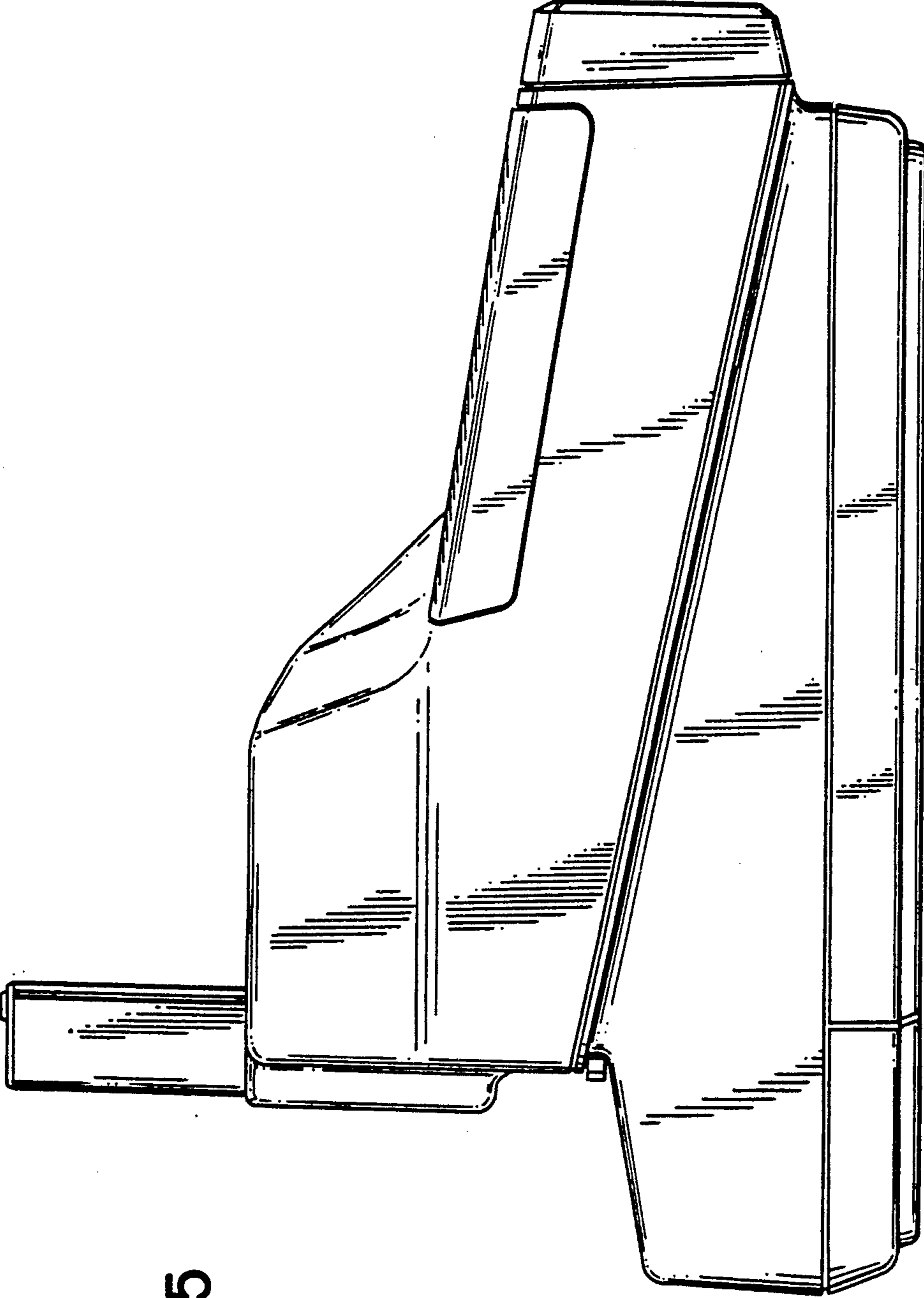


FIG 5

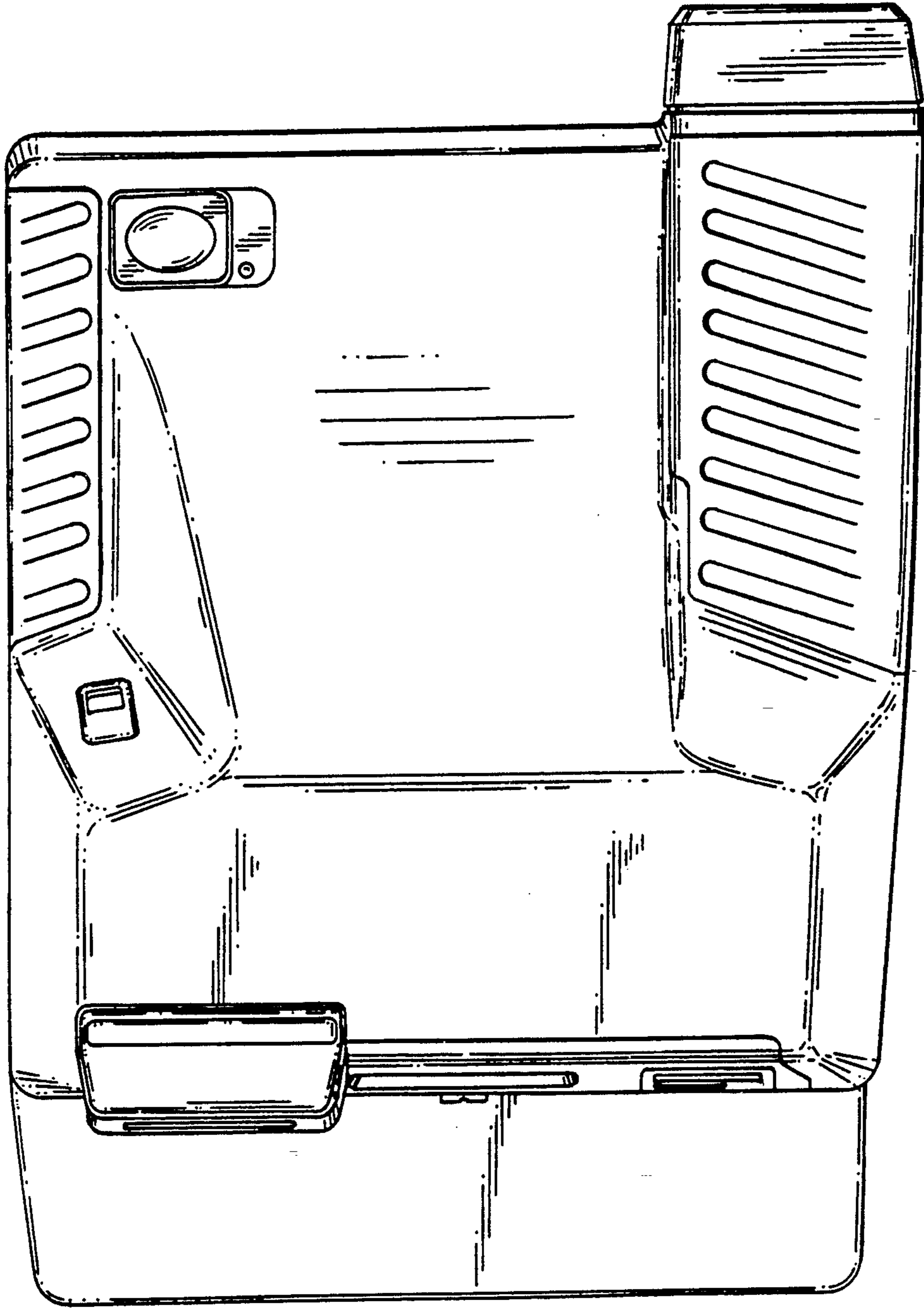


FIG 6

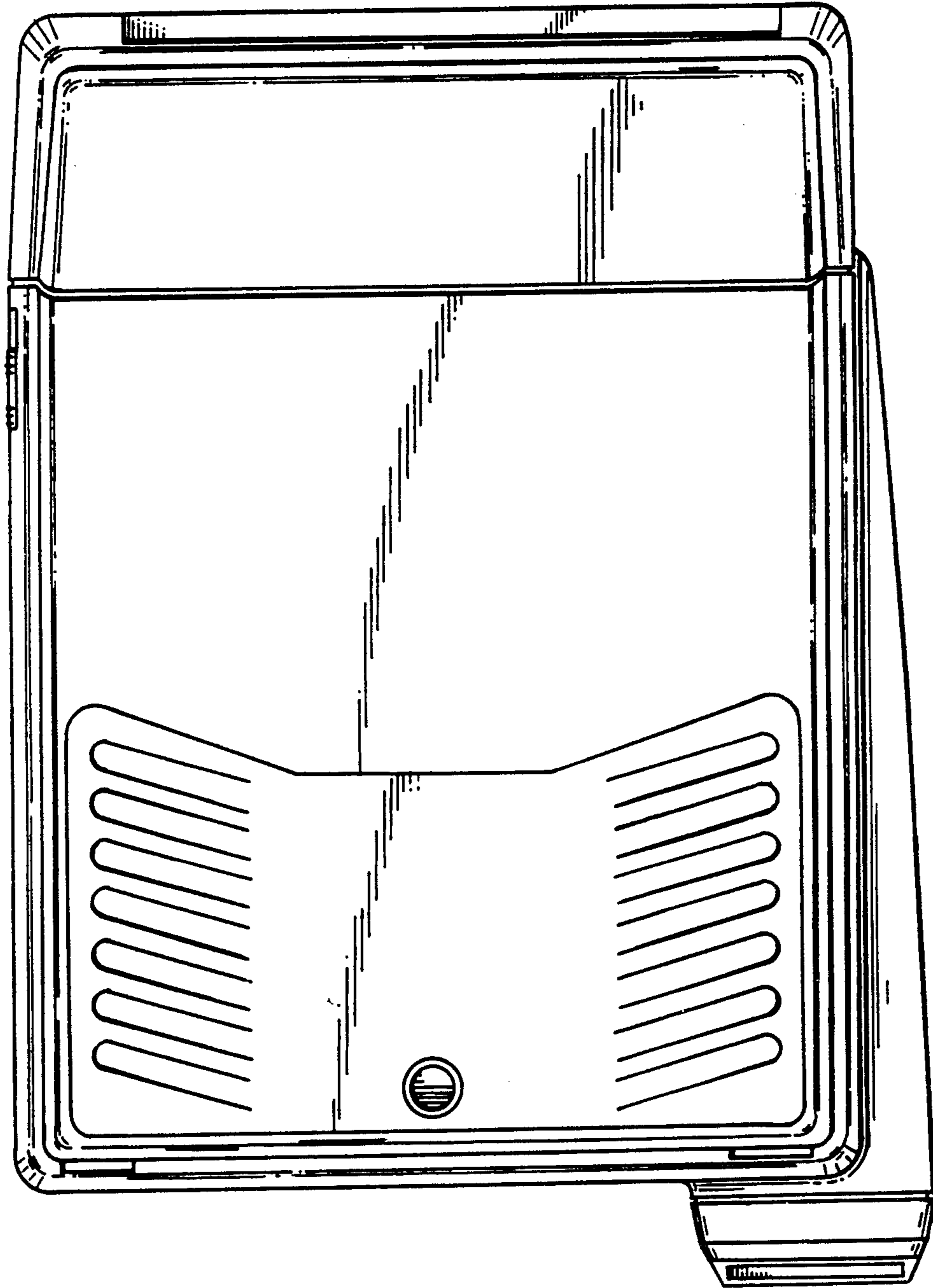


FIG 7

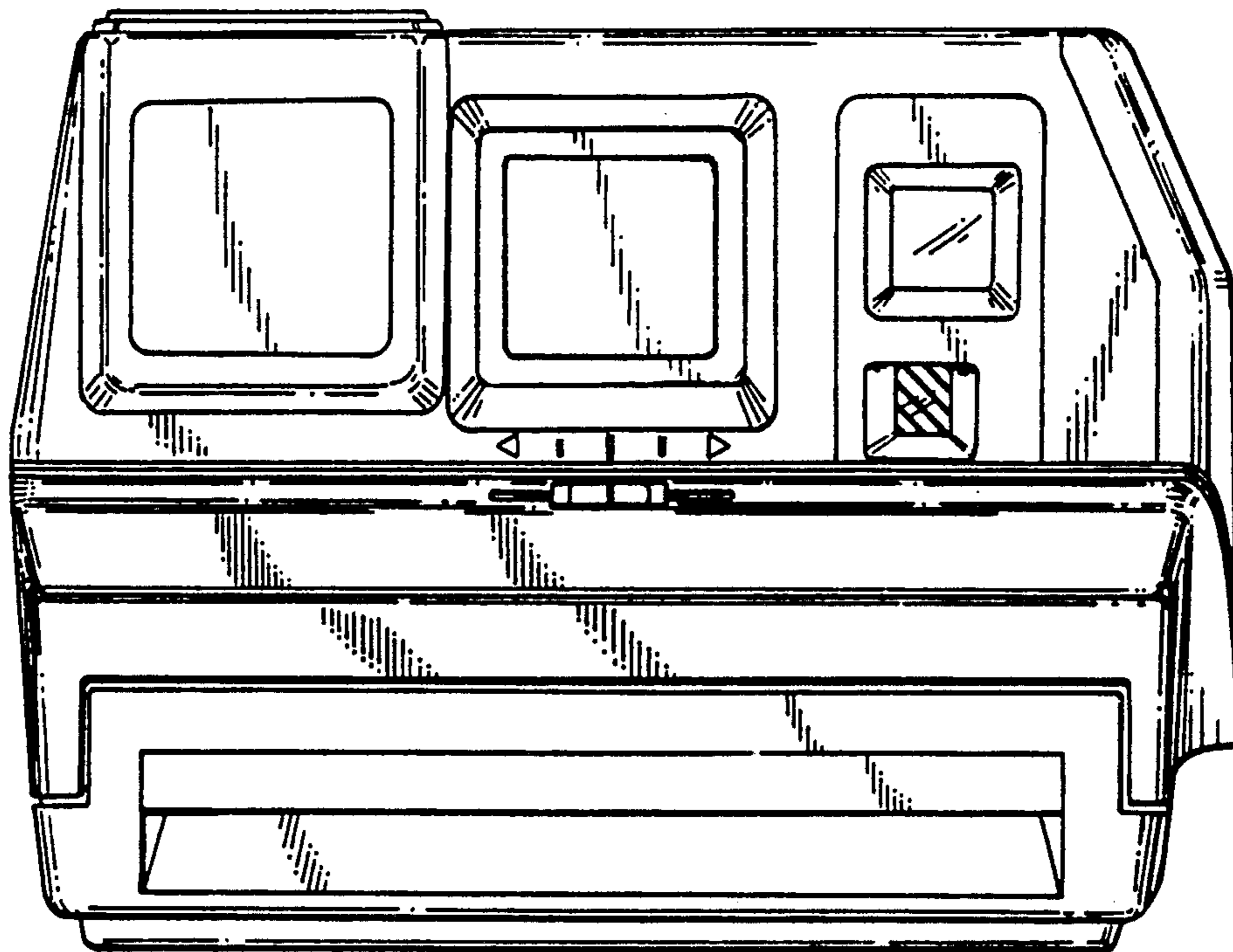


FIG 8